



US00D684637S

(12) **United States Design Patent**  
**Shelley et al.**

(10) **Patent No.:** **US D684,637 S**  
(45) **Date of Patent:** **\*\* Jun. 18, 2013**

(54) **GAMING MACHINE**

D622,323 S \* 8/2010 De Viveiros Ortiz ..... D21/325  
D636,822 S \* 4/2011 Levitan et al. .... D21/370  
7,927,218 B2 \* 4/2011 Kopera et al. .... 463/20

(75) Inventors: **Scott Paul Shelley**, Heathcote (AU);  
**Vince Carmelo Bruzzese**, Oatlands  
(AU); **Peter Scott Clarebrough**,  
Newington (AU)

**OTHER PUBLICATIONS**

The 50 Greatest Arcade Cabinets In Video Game History, retrieved from Internet on Sep. 27, 2011: URL: <http://web.archive.org/web/20100726142930/http://www.i-mockerky.com/minimocks/50arcadecabinets/default.php>, published on Jul. 26, 2010 as per Wayback engine.  
Amatic Industries-GmbH-Slant Top, retrieved from Internet on Oct. 4, 2011, URL: <http://web.archive.org/web/20091124055314/http://www.amatic.com/430.html>, published on Nov. 24, 2009 as per Wayback engine.

(73) Assignee: **Ainsworth Game Technology Limited**,  
Newington, New South Wales (AU)

(\*\*) Term: **14 Years**

(21) Appl. No.: **29/408,957**

(22) Filed: **Dec. 19, 2011**

\* cited by examiner

(30) **Foreign Application Priority Data**

*Primary Examiner* — Sandra Morris

Jun. 29, 2011 (AU) ..... 12901/2011

(74) *Attorney, Agent, or Firm* — Gottlieb, Rackman & Reisman

(51) **LOC (9) Cl.** ..... **21-03**

(57) **CLAIM**

(52) **U.S. Cl.**  
USPC ..... **D21/370**

The ornamental design for a gaming machine, as shown and described.

(58) **Field of Classification Search**  
USPC ..... D21/324–329, 369–370, 385; 463/16–17,  
463/20, 31, 46–47  
See application file for complete search history.

**DESCRIPTION**

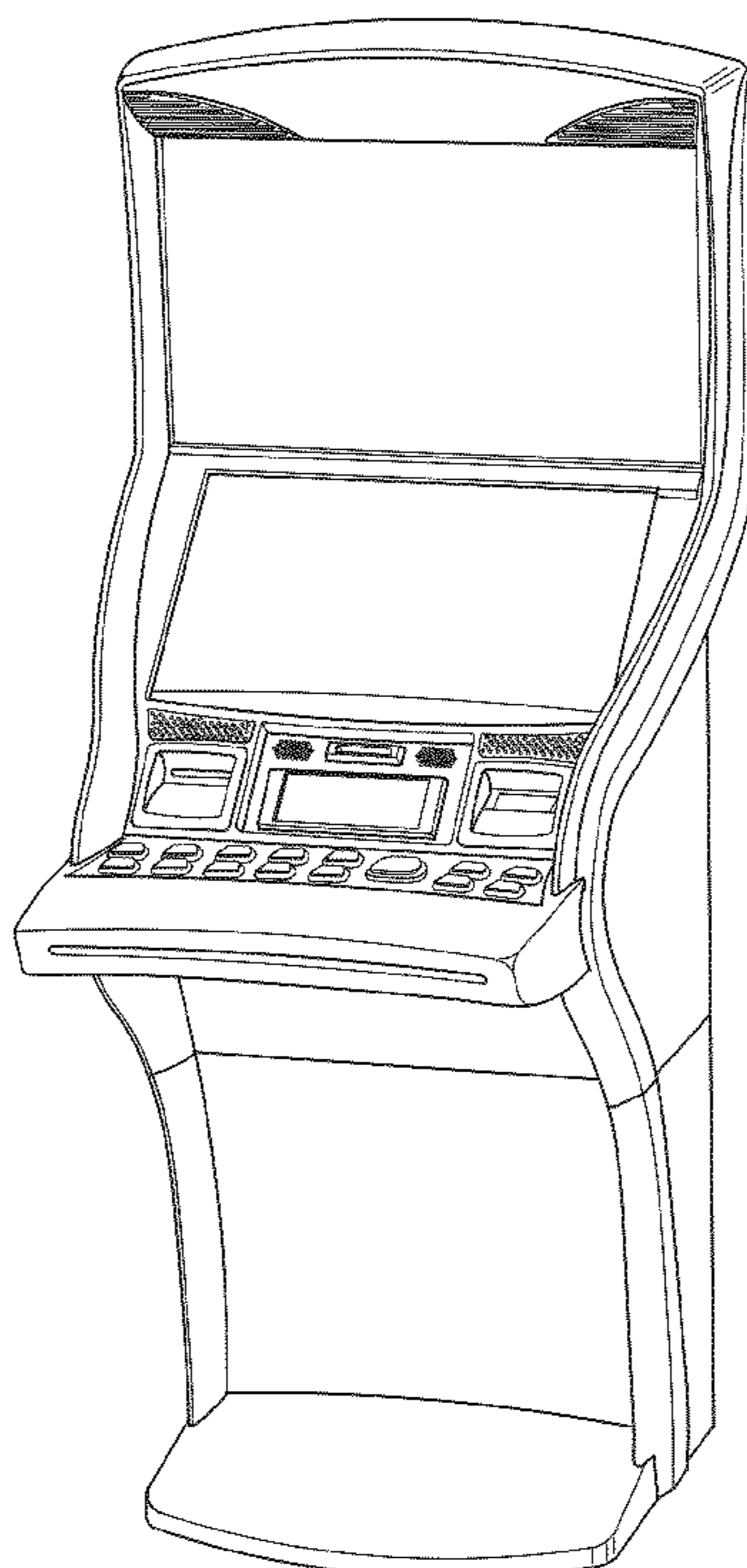
(56) **References Cited**

FIG. 1 is a perspective view of a gaming machine showing my new design;  
FIG. 2 is a front view thereof;  
FIG. 3 is a rear view thereof;  
FIG. 4 is a right side view thereof;  
FIG. 5 is a left side view thereof;  
FIG. 6 is a top plan view thereof; and,  
FIG. 7 is a bottom plan view thereof.

**U.S. PATENT DOCUMENTS**

D508,961 S \* 8/2005 Gatto et al. .... D21/369  
D586,866 S \* 2/2009 Hsu ..... D21/370  
D615,598 S \* 5/2010 McComb et al. .... D21/370  
D616,039 S \* 5/2010 Bruzzese et al. .... D21/370

**1 Claim, 7 Drawing Sheets**



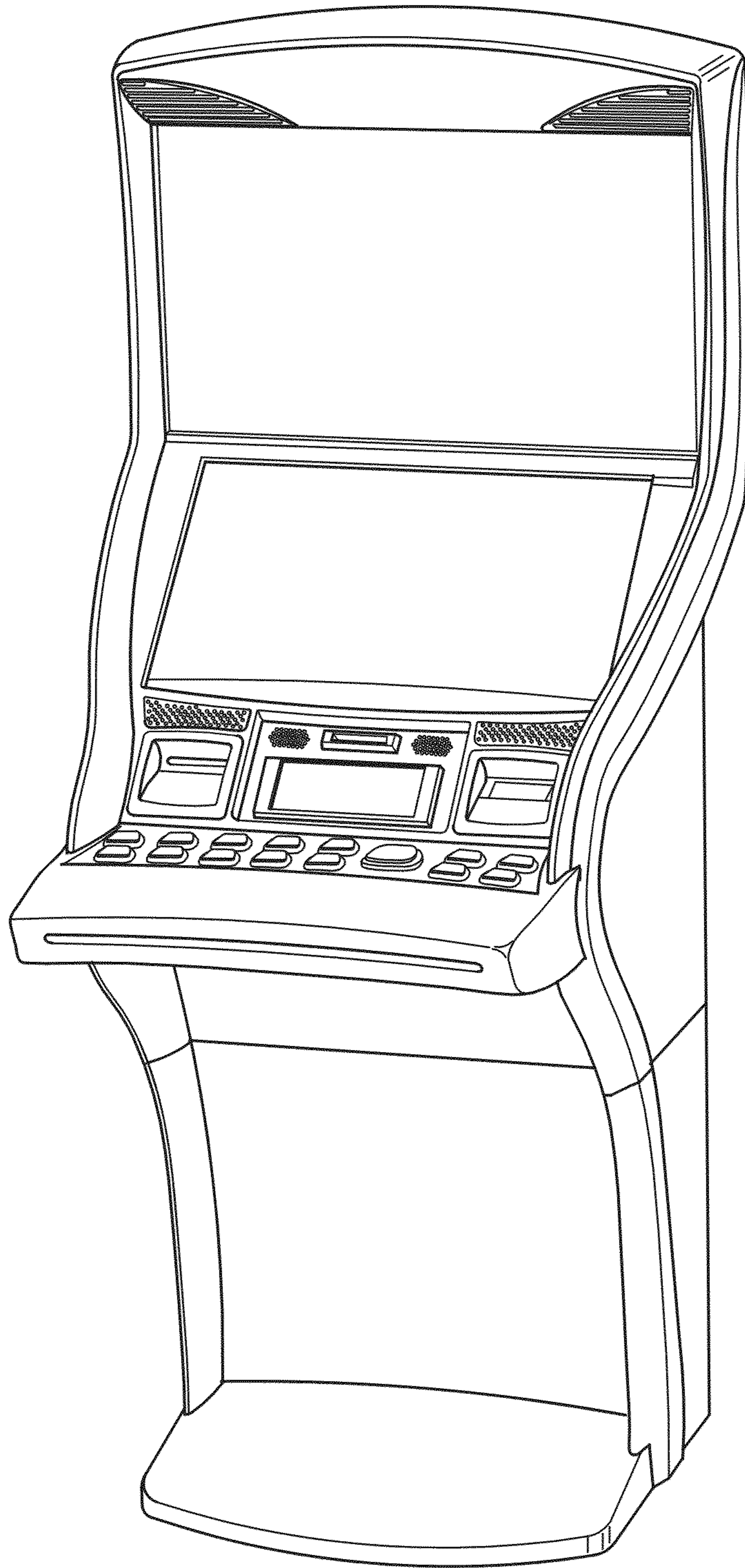


FIG. 1

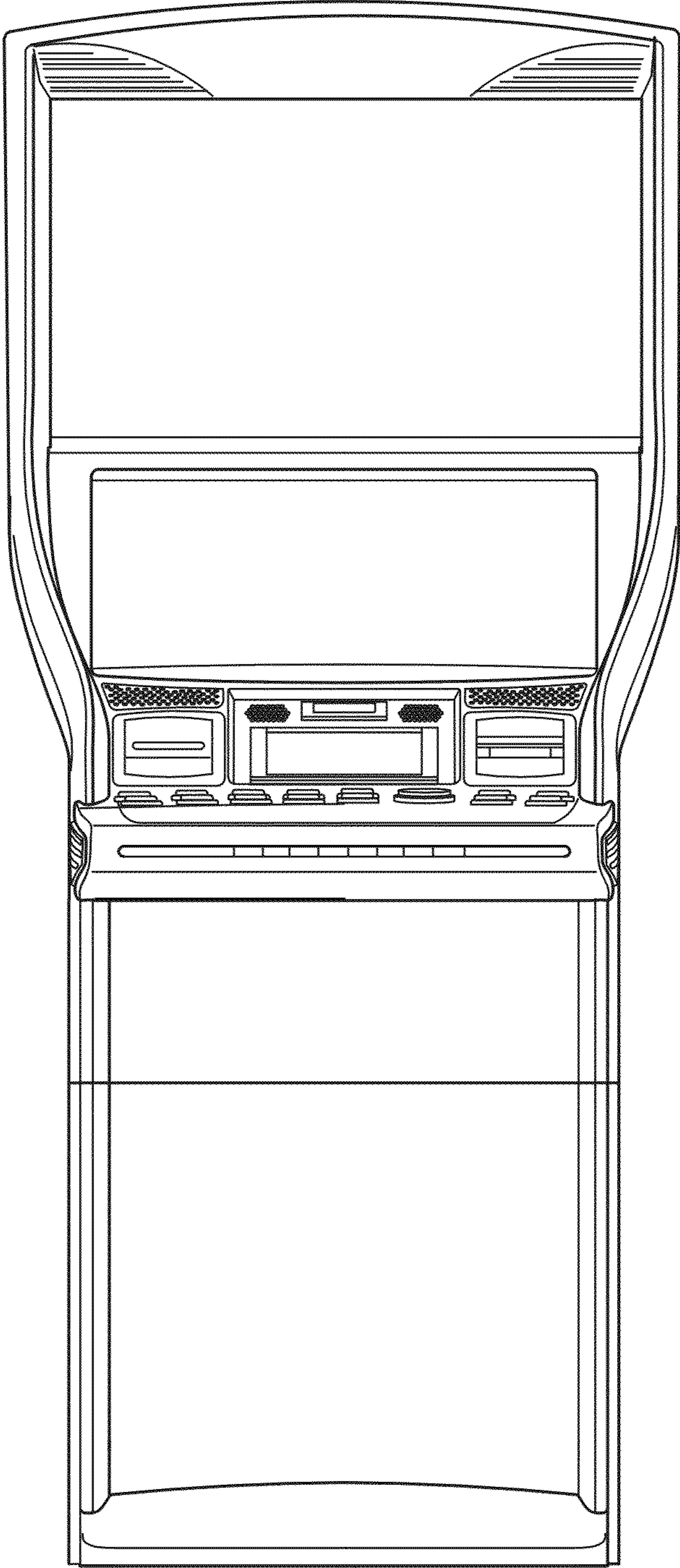


FIG. 2

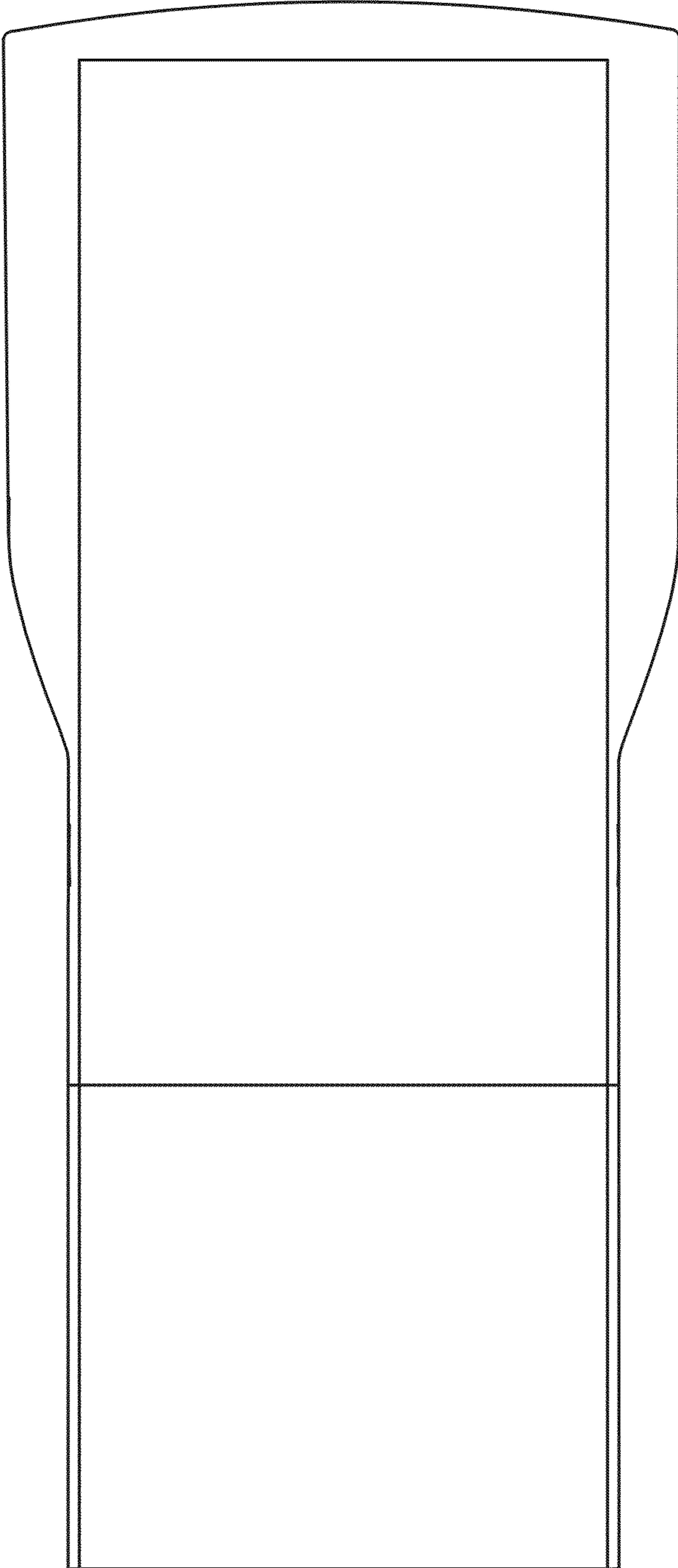


FIG. 3

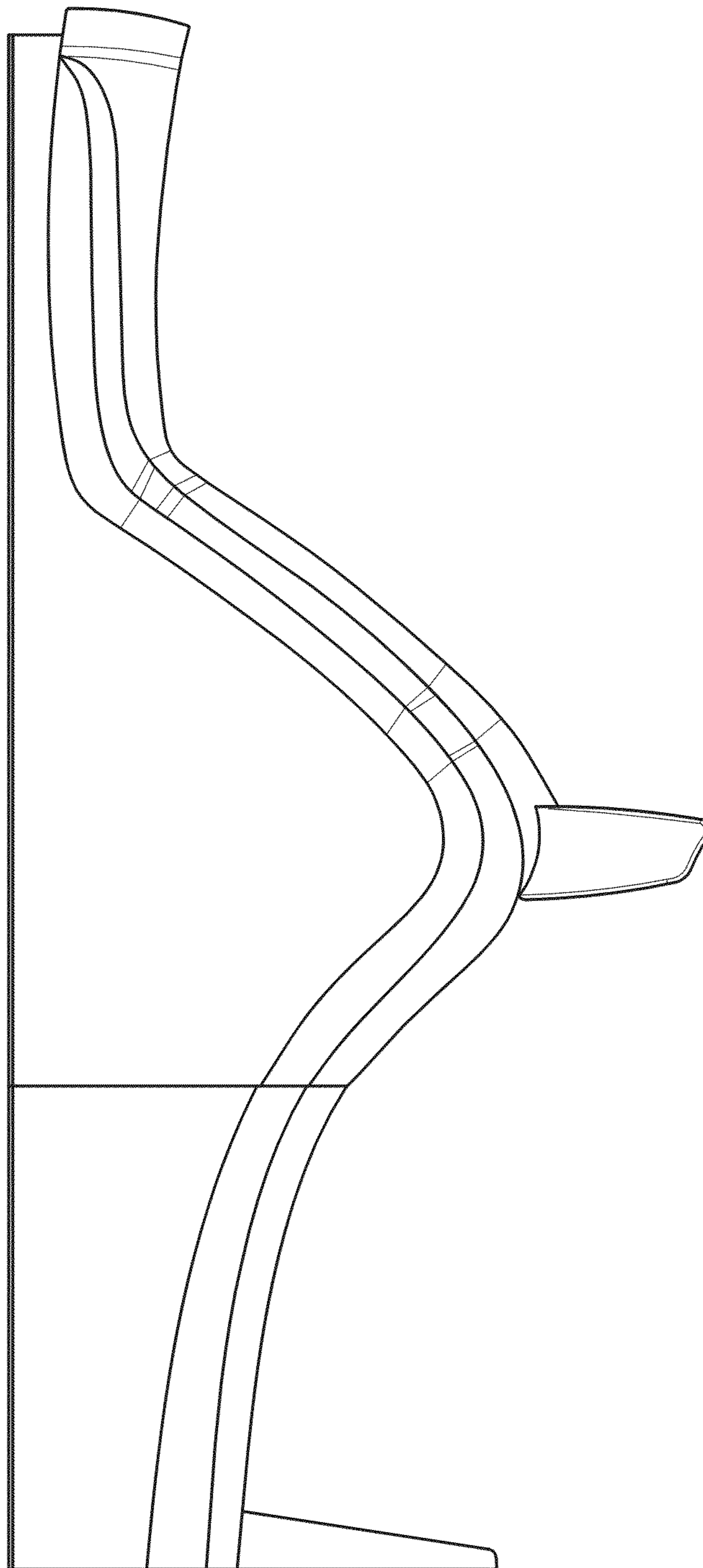


FIG. 4

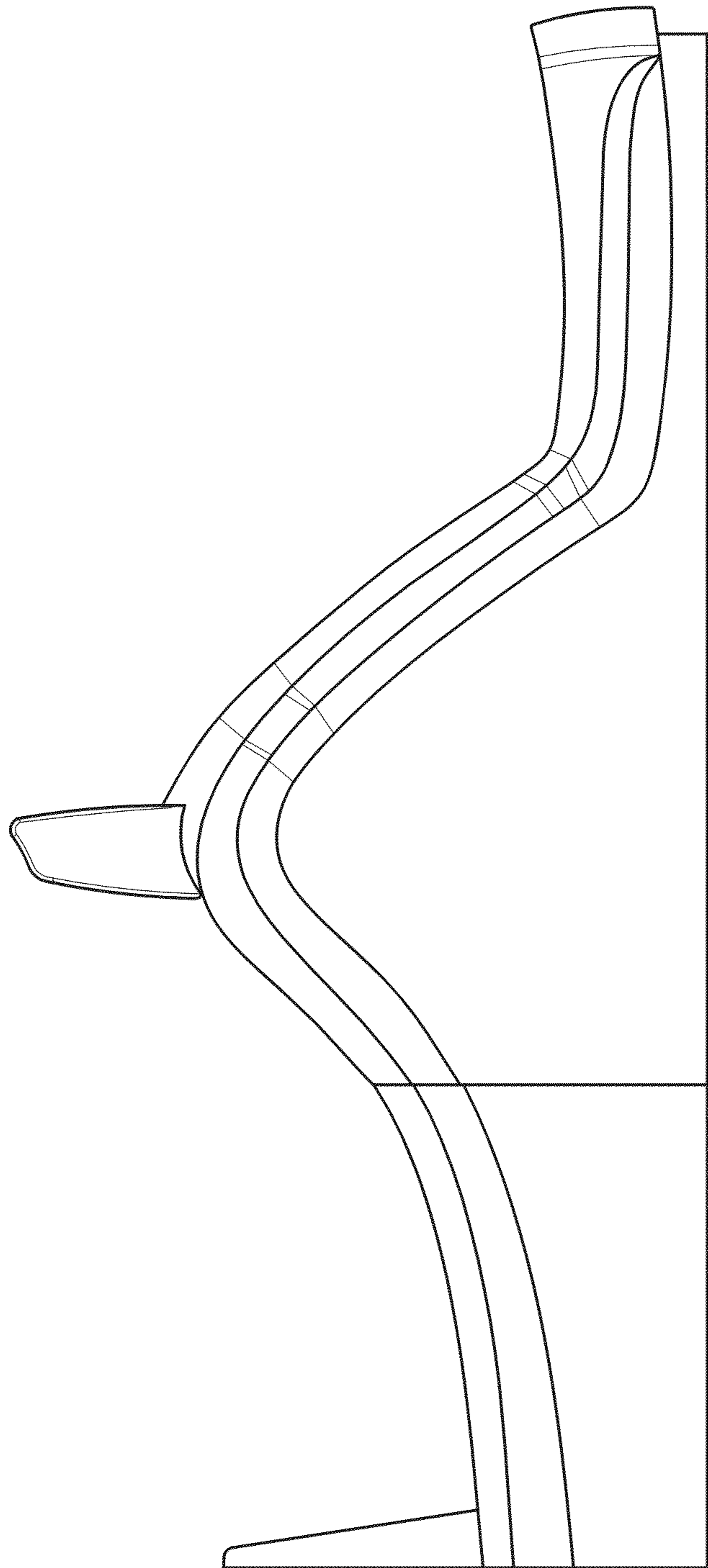


FIG. 5

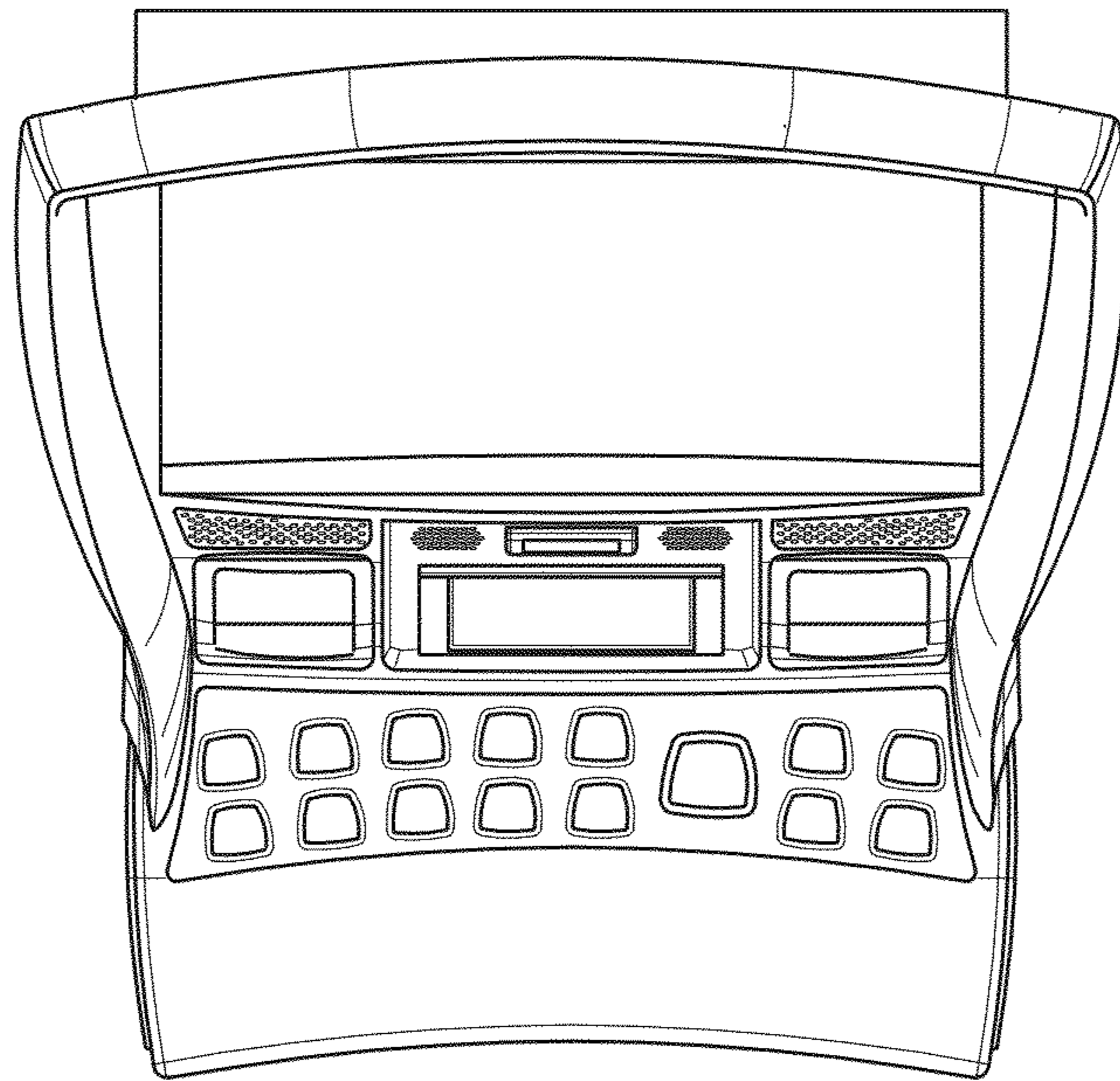


FIG. 6

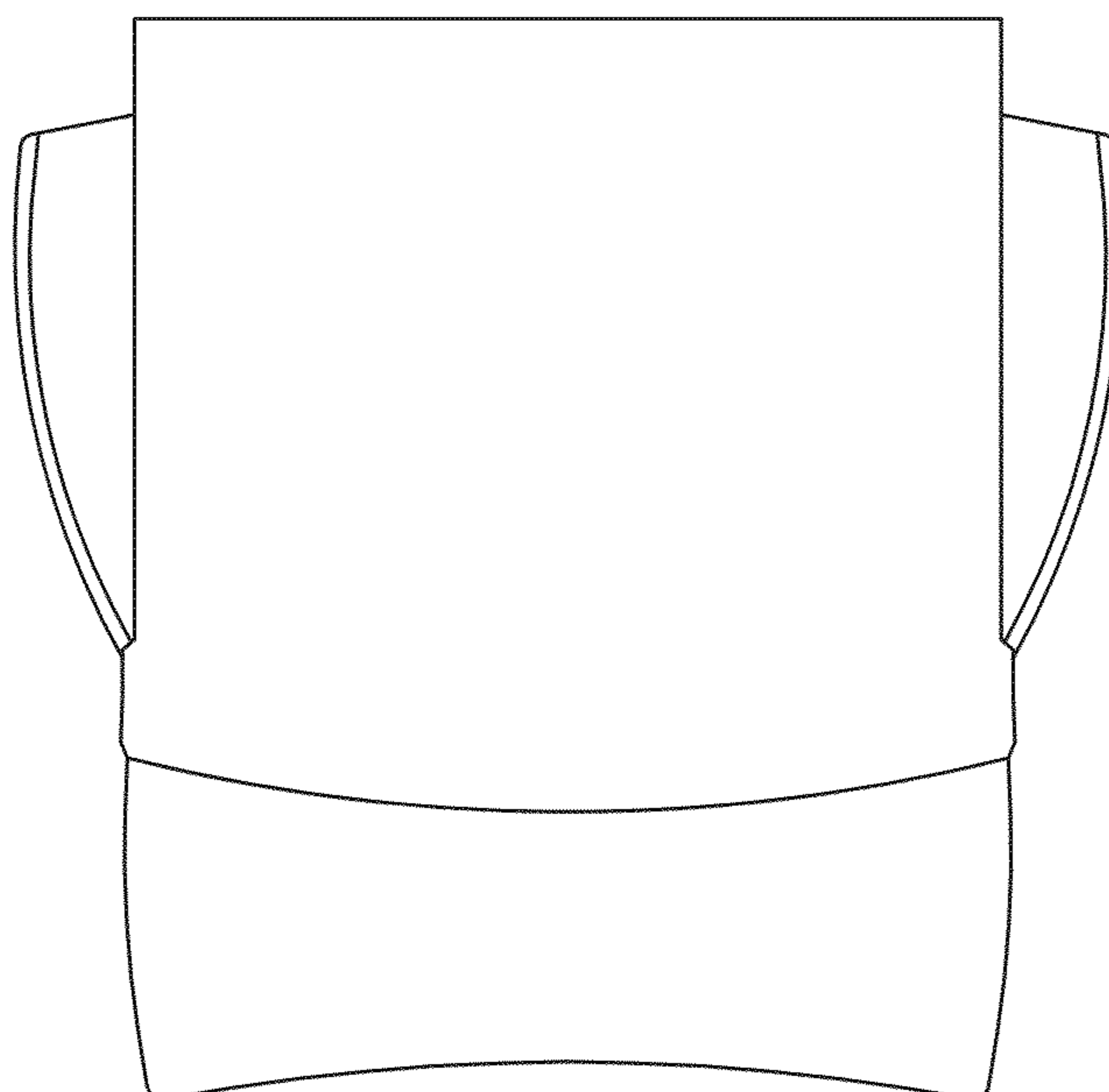


FIG. 7