



US00D684633S

(12) **United States Design Patent**
Bengyak

(10) **Patent No.:** **US D684,633 S**
(45) **Date of Patent:** **** Jun. 18, 2013**

(54) **HAND SIGN**

DESCRIPTION

(76) Inventor: **Christopher Edward Bengyak**, Vero Beach, FL (US)
(**) Term: **14 Years**
(21) Appl. No.: **29/421,118**
(22) Filed: **May 24, 2012**
(51) **LOC (9) Cl.** **20-03**
(52) **U.S. Cl.**
USPC **D20/29; D20/33**
(58) **Field of Classification Search**
USPC D20/10, 19, 29-33, 35-37, 99; 40/446, 40/538, 541, 584, 586; D2/615; D10/109.1, D10/109.2; D11/131, 157, 158; D21/400
See application file for complete search history.

FIG. 1 is a right-side elevational view of a first embodiment of a left-hand hand sign according to the invention;
FIG. 2 is a left-side elevational view of the left-hand hand sign of FIG. 1;
FIG. 3 is a reduced scale rear elevational view of the left-hand hand sign of FIG. 1;
FIG. 4 is a reduced scale top plan view of the left-hand hand sign of FIG. 1;
FIG. 5 is a reduced scale bottom plan view of the left-hand hand sign of FIG. 1;
FIG. 6 is a reduced scale front elevational view of the left-hand hand sign of FIG. 1;
FIG. 7 is a perspective view from below the front of the left side of the left-hand hand sign of FIG. 2;
FIG. 8 is a perspective view from above the rear of the left side of the left-hand hand sign of FIG. 2;
FIG. 9 is a left-side elevational view of a second embodiment of a right-hand hand sign according to the invention;
FIG. 10 is a right-side elevational view of the right-hand hand sign of FIG. 9;
FIG. 11 is a reduced scale front elevational view of the right-hand hand sign of FIG. 9;
FIG. 12 is a reduced scale top plan view of the right-hand hand sign of FIG. 9;
FIG. 13 is a reduced scale bottom plan view of the right-hand hand sign of FIG. 9;
FIG. 14 is a reduced scale rear elevational view of the right-hand hand sign of FIG. 9;
FIG. 15 is a perspective view from below the front of the right side of the right-hand hand sign of FIG. 10; and,
FIG. 16 is a perspective view from above the rear of the right side of the right-hand hand sign of FIG. 10;
The Yankee Hat logo is a registered trademark owned by: New York Yankees Partnership George M. Steinbrenner III, Harold Z. Steinbrenner, and Stephen A. Swindal, all U.S. citizens, its General Partners LIMITED PARTNERSHIP OHIO Executive Offices Yankee Stadium Bronx NEW YORK 10451.

(56) **References Cited**

U.S. PATENT DOCUMENTS

D144,710 S * 5/1946 Gosling D20/33
D429,285 S * 8/2000 Schini D20/32

(Continued)

OTHER PUBLICATIONS

The Emblem Source New York Yankees 1952 World Series Commemorative Patch—Yankee Shop, the official online shop of the new york yankees <http://shop.mlb.com/product/index.jsp?productid=4179336&cp=1452360.1452530.1922075> pulled from the web on Jan. 23, 2012.*

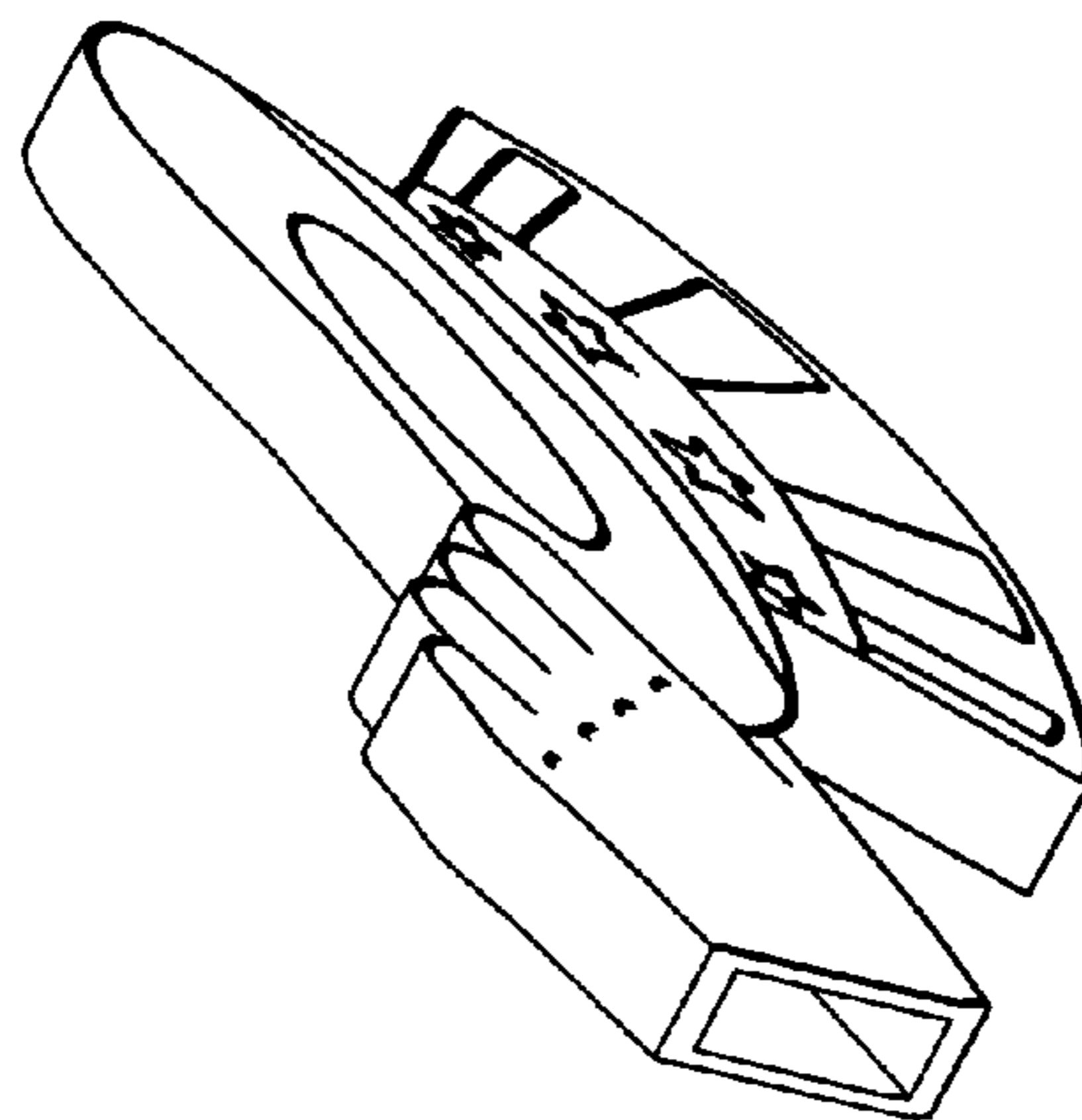
(Continued)

Primary Examiner — Mary Ann Calabrese

(57) **CLAIM**

The ornamental design for a hand sign, as shown and described.

1 Claim, 6 Drawing Sheets



US D684,633 S

Page 2

U.S. PATENT DOCUMENTS

D658,718 S * 5/2012 Bengyak D20/30
D660,365 S * 5/2012 Bengyak D20/33
D660,366 S * 5/2012 Bengyak D20/33
D662,552 S * 6/2012 Bengyak D20/29
D662,991 S * 7/2012 Bengyak D20/29
D664,206 S * 7/2012 Bengyak D20/29
D664,210 S * 7/2012 Bengyak D20/36
D665,457 S * 8/2012 Bengyak D20/29
D666,675 S * 9/2012 Bengyak D20/29
D667,059 S * 9/2012 Bengyak D20/29
D667,887 S * 9/2012 Bengyak D20/29

OTHER PUBLICATIONS

Foam Uncle Sam Top Hat—OEMPROMO.com Copyright © 2007-
2010 Promo Industrial Co., Limited [http://www.oempromo.com/
product/Foam/F/Foam-Uncle-Sam-Top-Hat-62606.htm](http://www.oempromo.com/product/Foam/F/Foam-Uncle-Sam-Top-Hat-62606.htm) pulled from
the web on Aug. 20, 2012.*

* cited by examiner

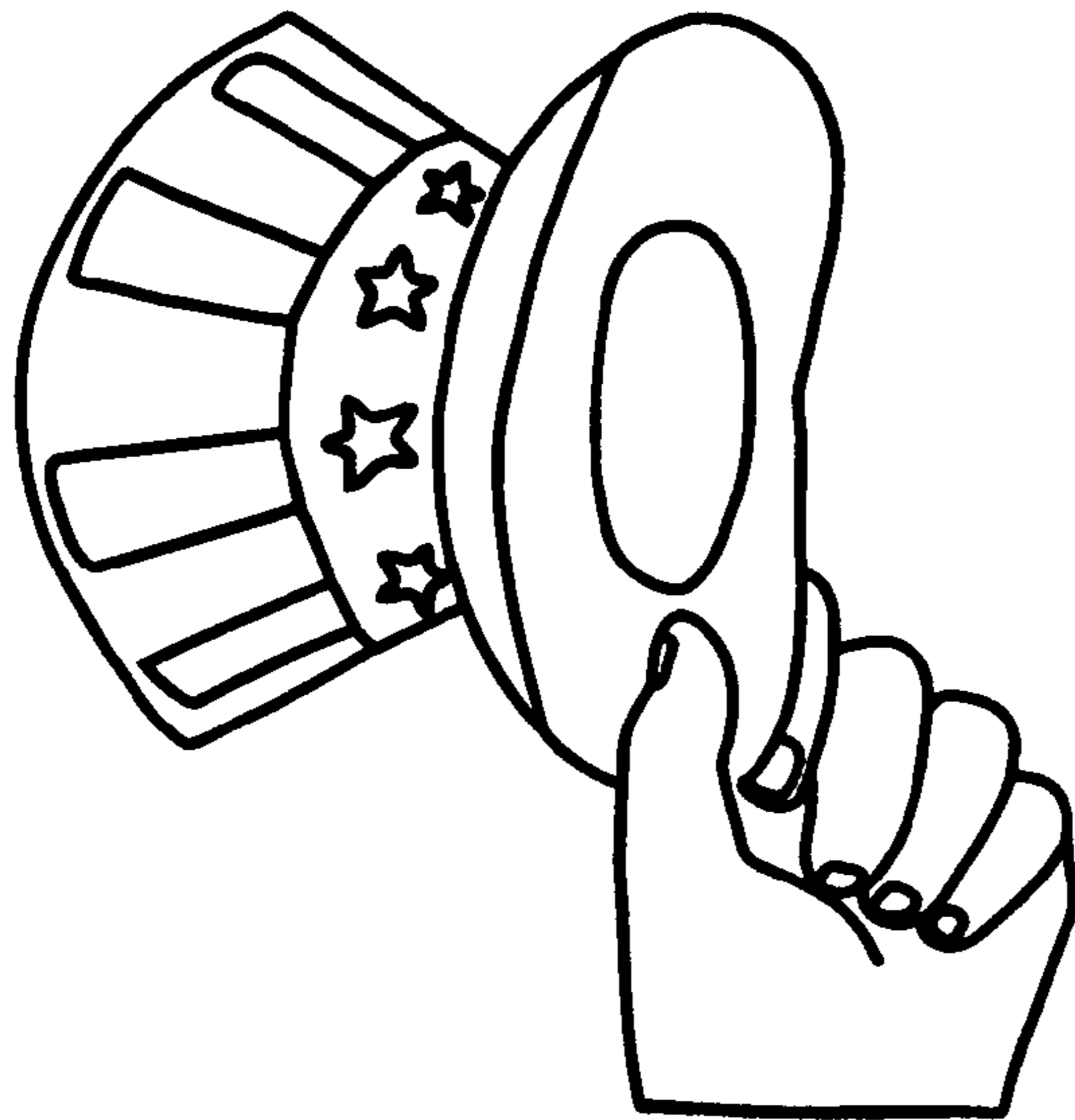


FIG. 1

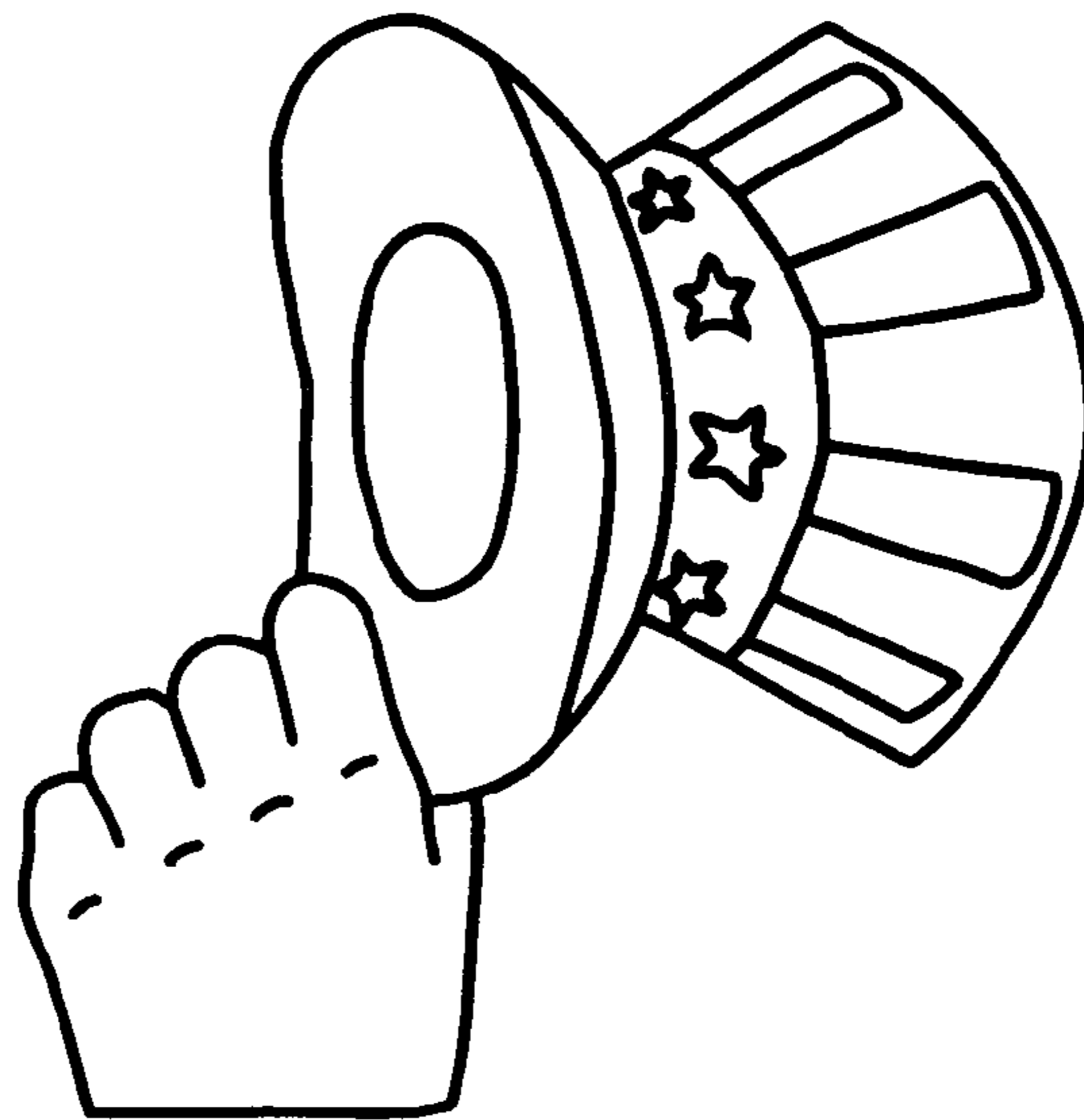


FIG. 2

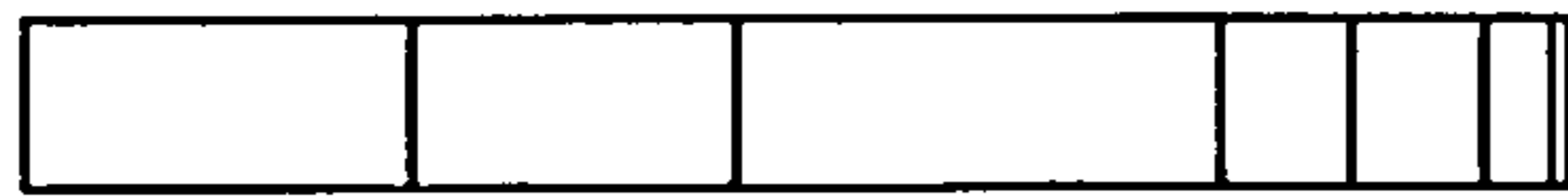


FIG. 4

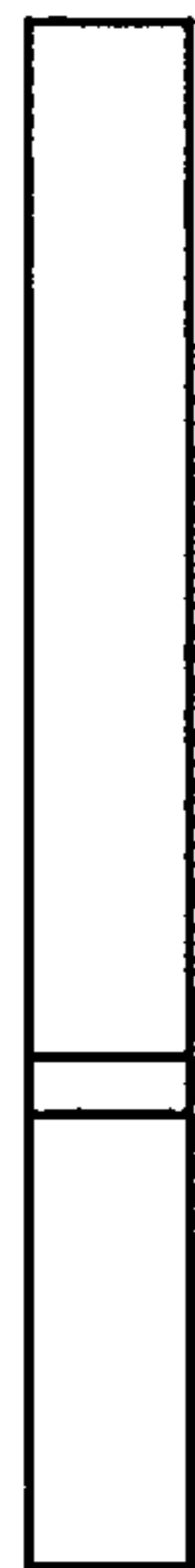


FIG. 3



FIG. 6



FIG. 5

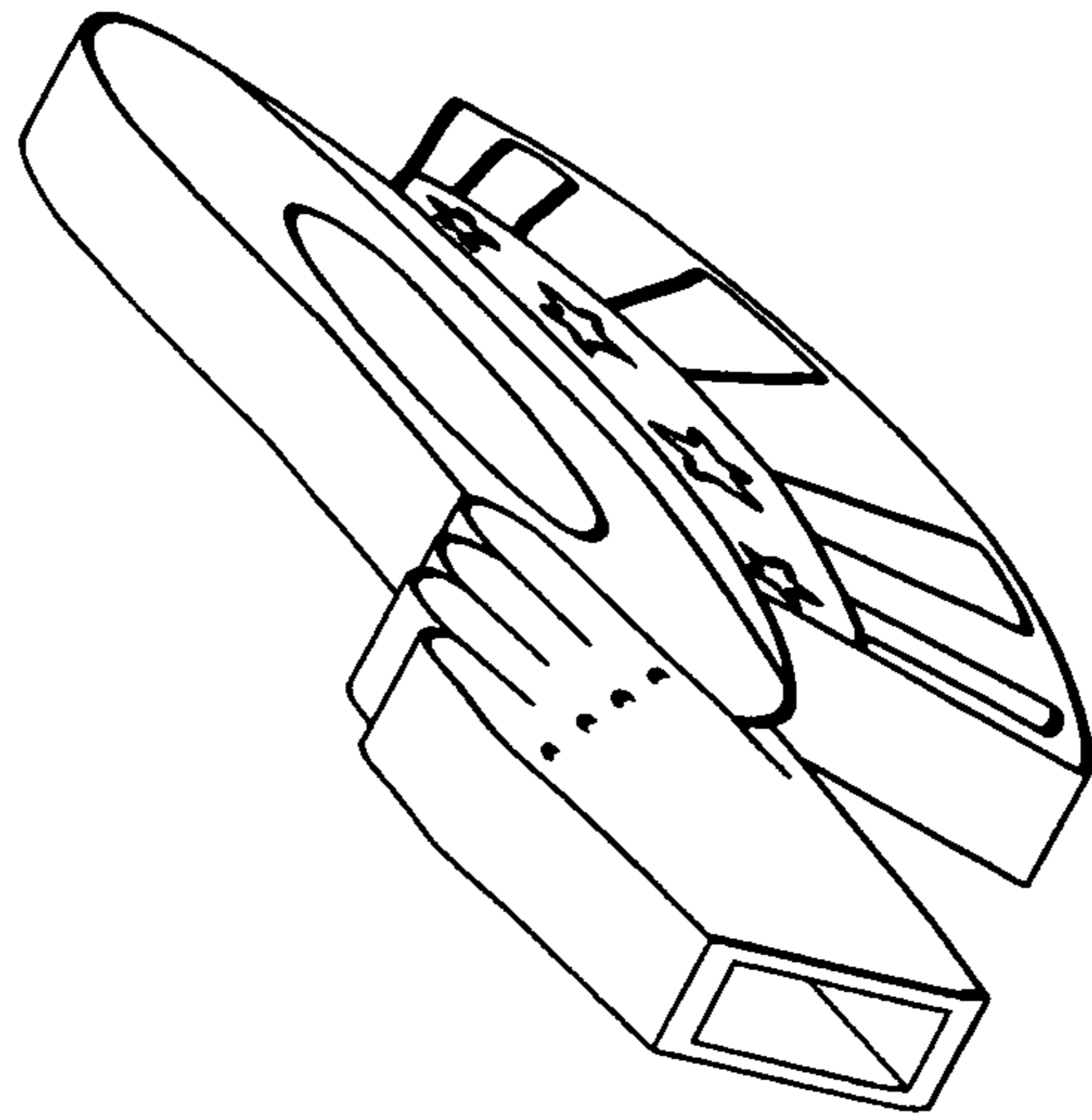


FIG. 7

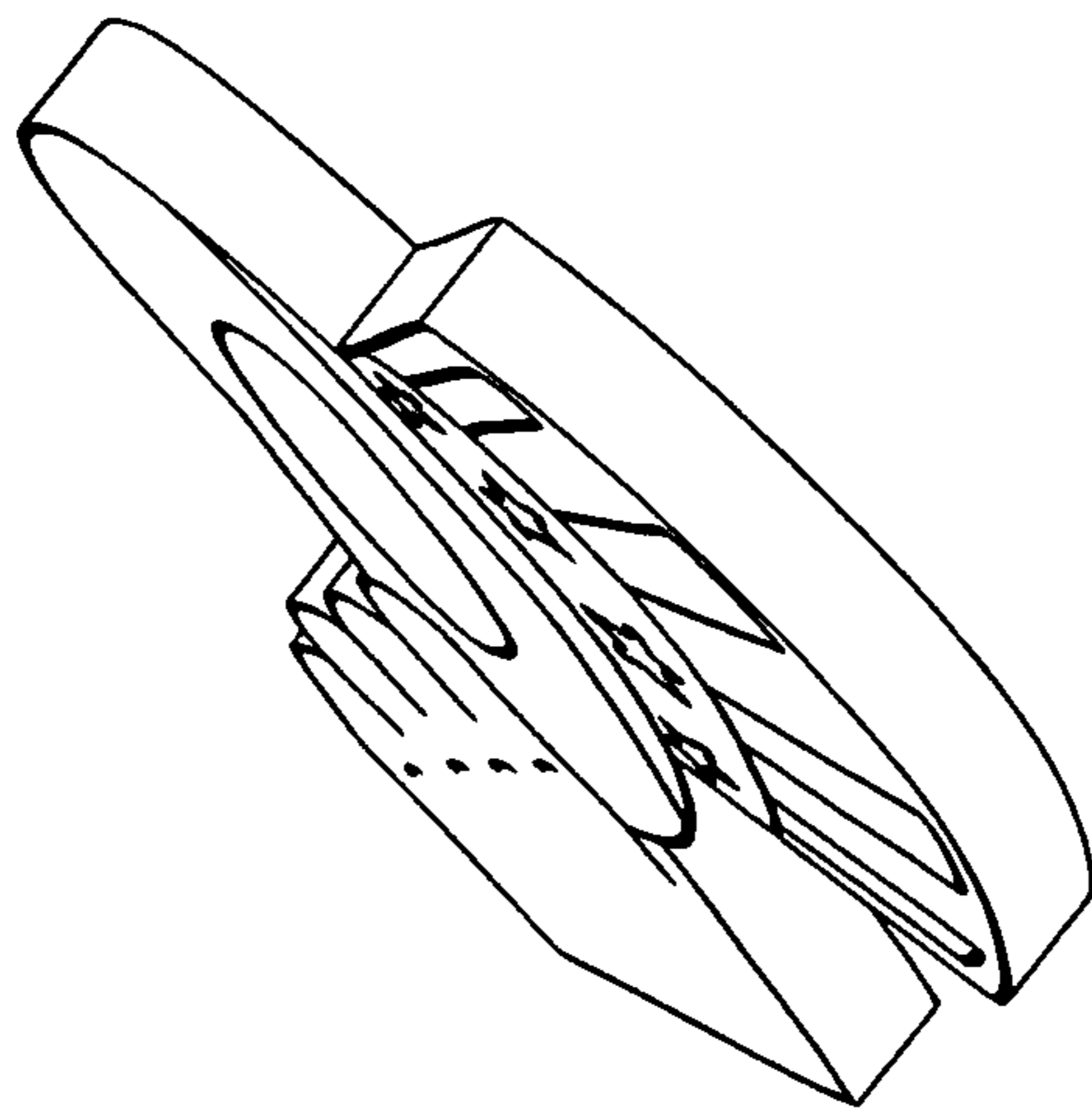


FIG. 8

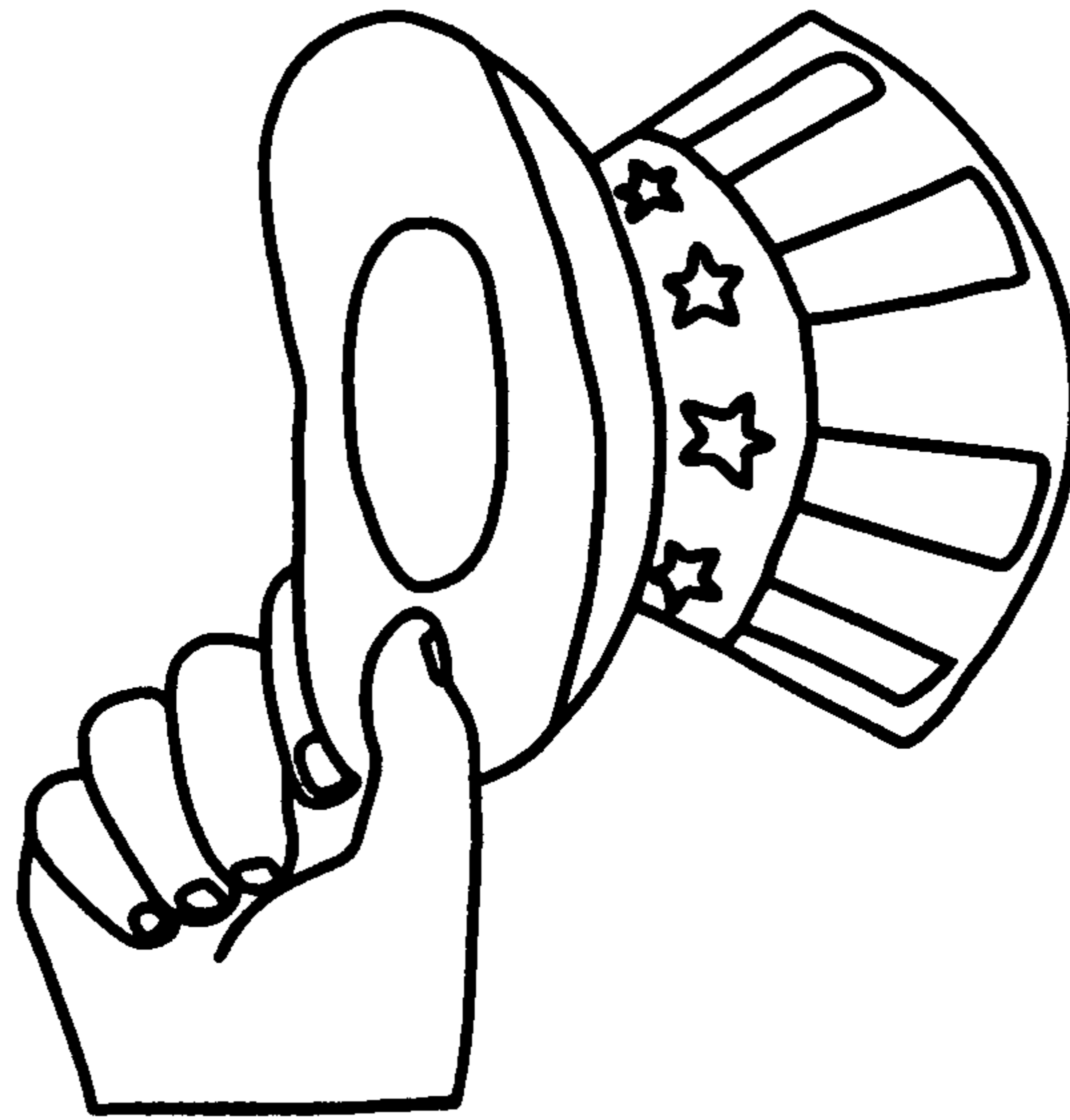


FIG. 9

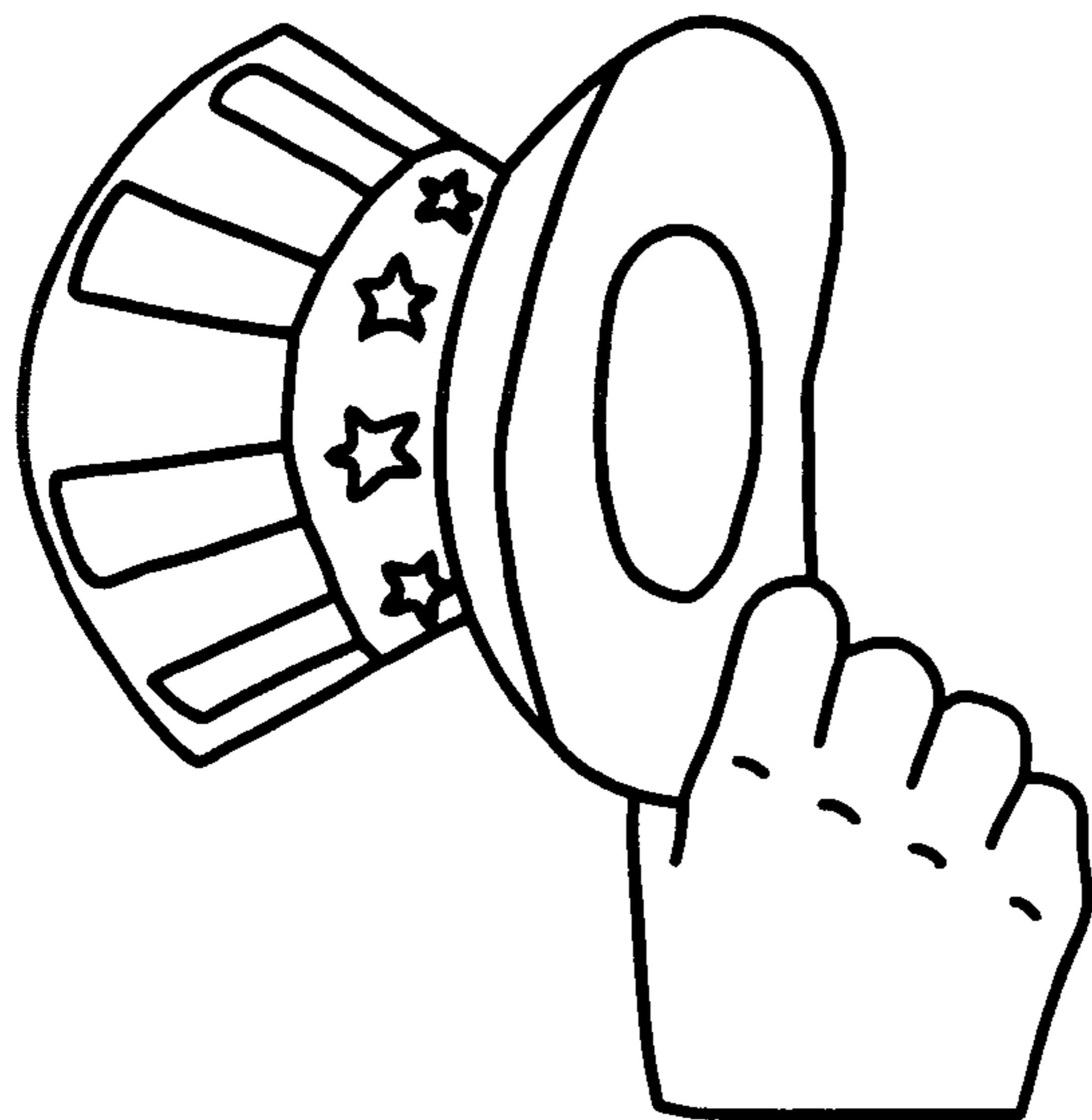


FIG. 10



FIG. 12

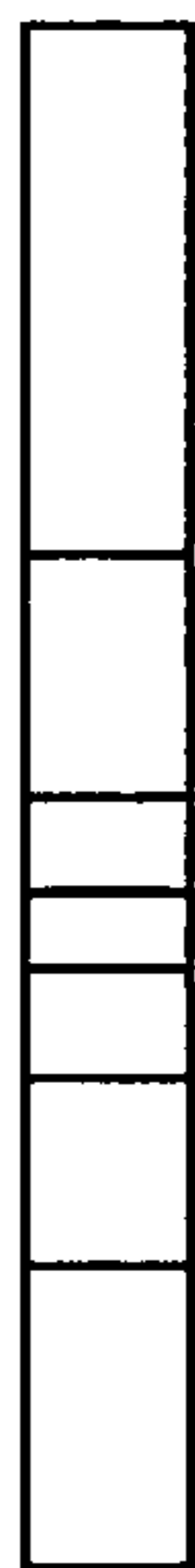


FIG. 11



FIG. 14



FIG. 13

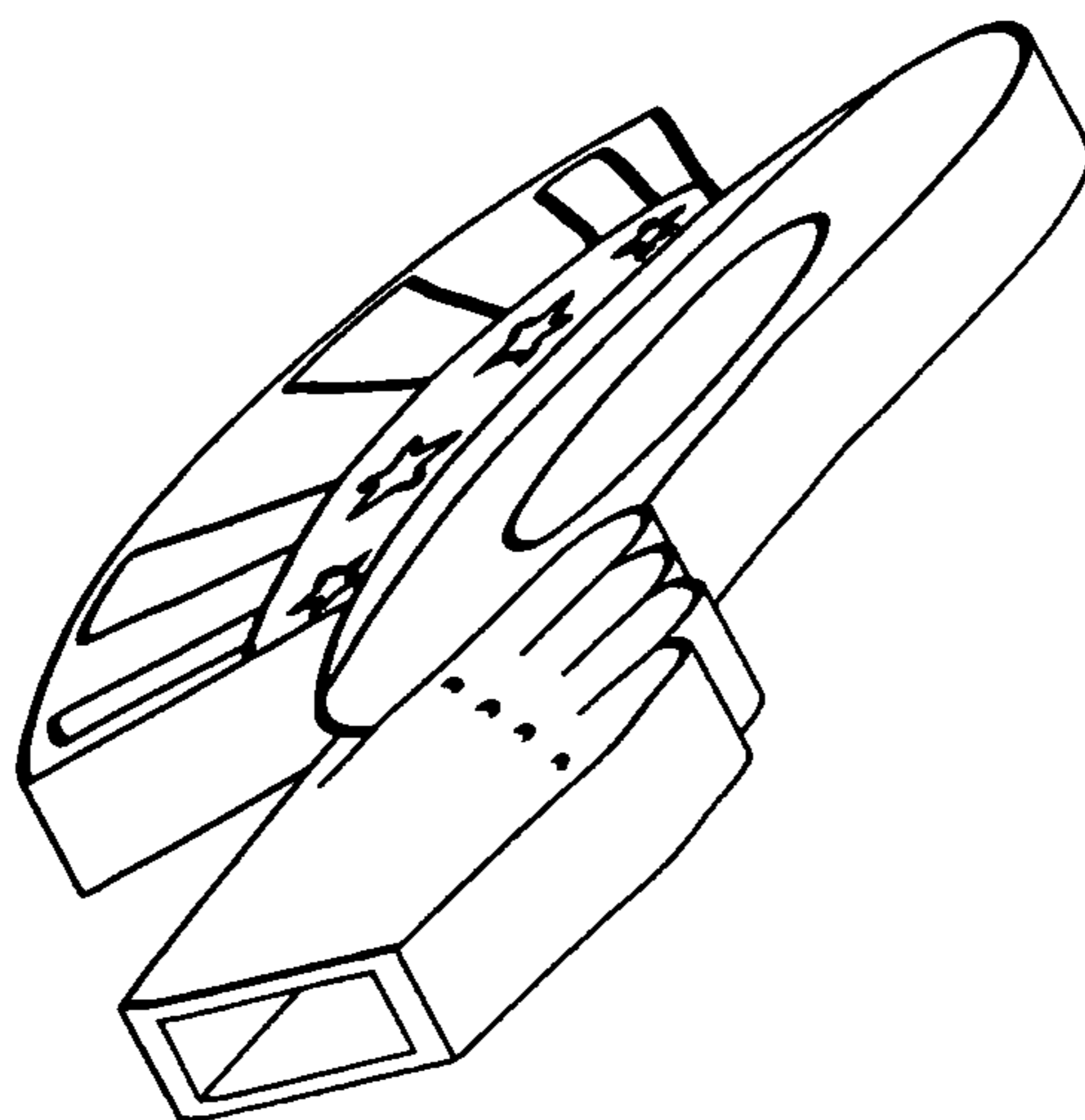


FIG. 15

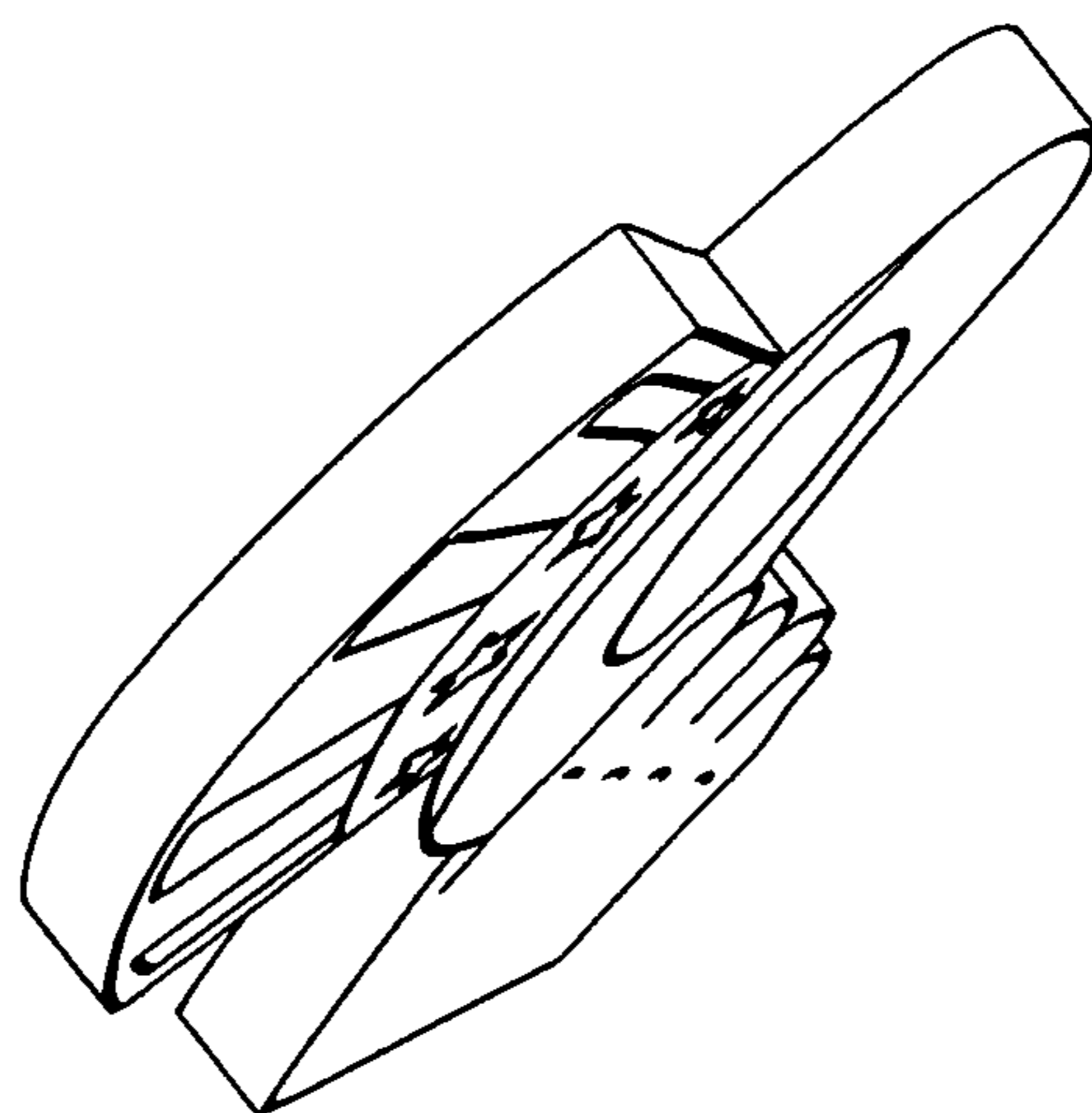


FIG. 16