



US00D684628S

(12) **United States Design Patent**
Hiller

(10) **Patent No.:** **US D684,628 S**

(45) **Date of Patent:** **** Jun. 18, 2013**

(54) **NEWTON'S CRADLE SCIENTIFIC APPARATUS DEMONSTRATOR**

(76) Inventor: **Zach Hiller**, Pensacola, FL (US)

(**) Term: **14 Years**

(21) Appl. No.: **29/431,293**

(22) Filed: **Sep. 5, 2012**

(51) **LOC (9) Cl.** **19-07**

(52) **U.S. Cl.**
USPC **D19/62**

(58) **Field of Classification Search**
USPC D19/59-64, 85; D21/456, 466, 812;
434/276, 283, 300, 302, 293, 433; 473/576;
446/247, 215; 273/331; D6/495
See application file for complete search history.

3,930,649	A *	1/1976	Yackel, Jr.	273/331
4,739,995	A *	4/1988	Yackel, Jr.	273/331
D309,475	S *	7/1990	Salehzadeh et al.	D21/466
D319,672	S *	9/1991	Blecha	D21/466
5,158,462	A *	10/1992	Hones et al.	434/302
D337,621	S *	7/1993	Wong	D21/466
D394,285	S *	5/1998	Mann	D21/466

* cited by examiner

Primary Examiner — T. Chase Nelson

Assistant Examiner — Mark Cavanna

(74) *Attorney, Agent, or Firm* — Peter Loffler

(56) **References Cited**

U.S. PATENT DOCUMENTS

139,533	A *	6/1873	Batchelder	446/247
612,173	A *	10/1898	Newton	473/576
672,099	A *	4/1901	Watson	473/576
3,157,962	A *	11/1964	Bonnelly	446/215
D216,121	S *	11/1969	Edon	D19/62
D216,999	S *	3/1970	Kanbar	D19/85
D217,912	S *	6/1970	Trippett	D6/495
D219,515	S *	12/1970	Levitt	D19/62
3,594,925	A *	7/1971	Abbat	434/302
D226,918	S *	5/1973	Andon	D19/62

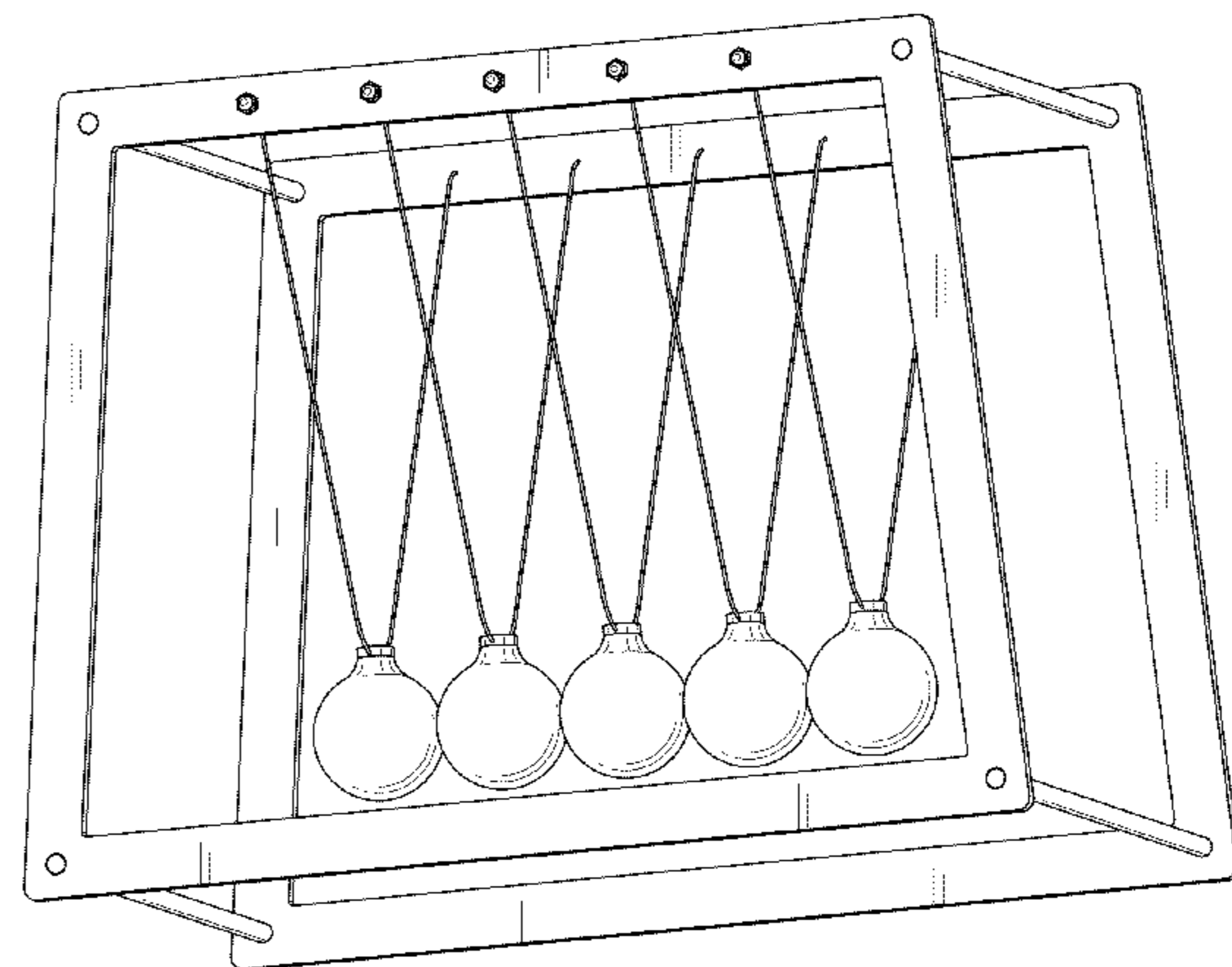
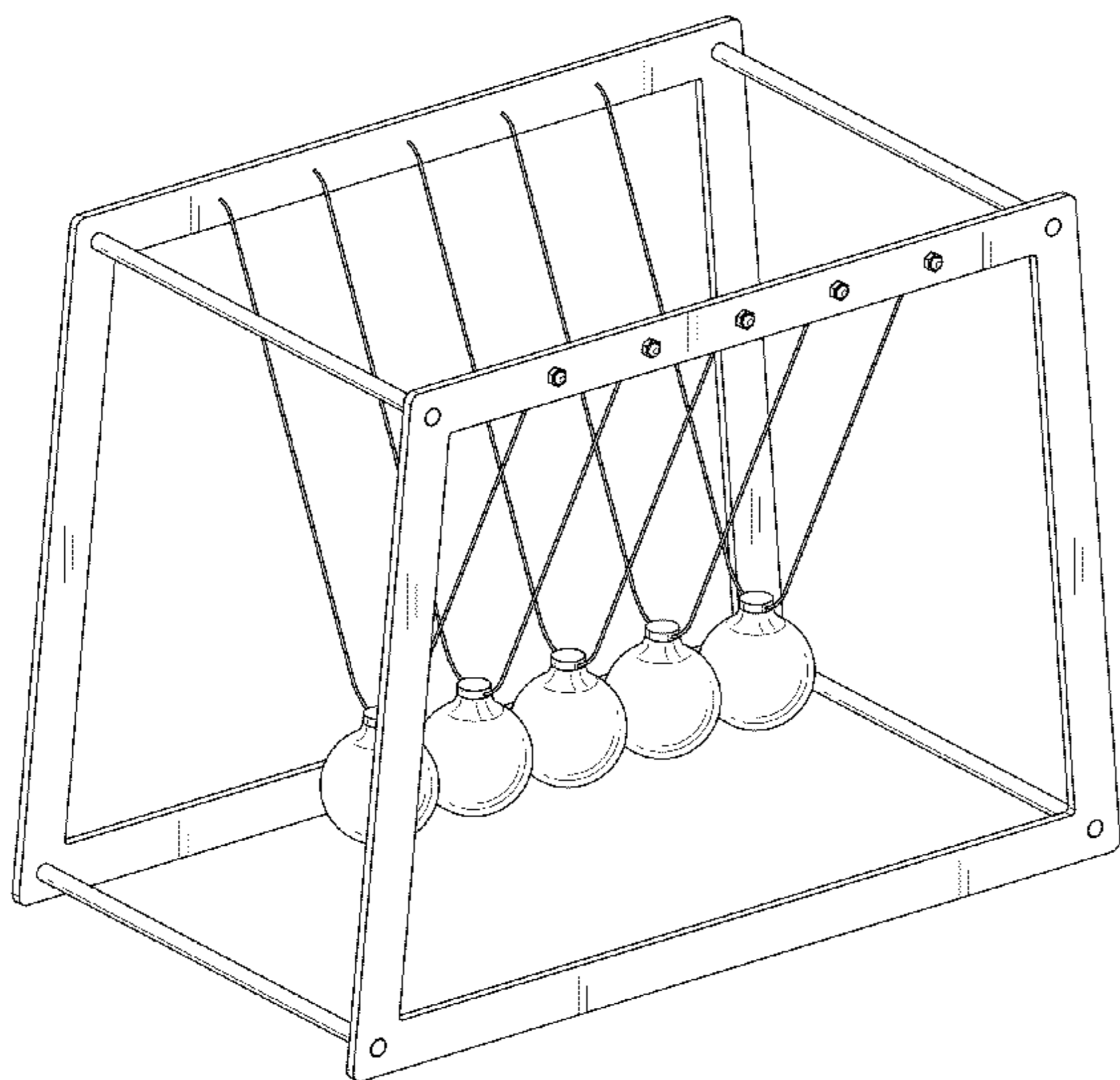
(57) **CLAIM**

The ornamental design for a Newton's cradle scientific apparatus demonstrator, as shown and described.

DESCRIPTION

FIG. 1 is a left perspective view of the Newton's cradle scientific apparatus demonstrator of the present invention; FIG. 2 is another left perspective view of the Newton's cradle scientific apparatus demonstrator; FIG. 3 is a front elevation view thereof; FIG. 4 is a side view thereof; FIG. 5 is a top plan view thereof; and, FIG. 6 is a bottom plan view thereof.

1 Claim, 6 Drawing Sheets



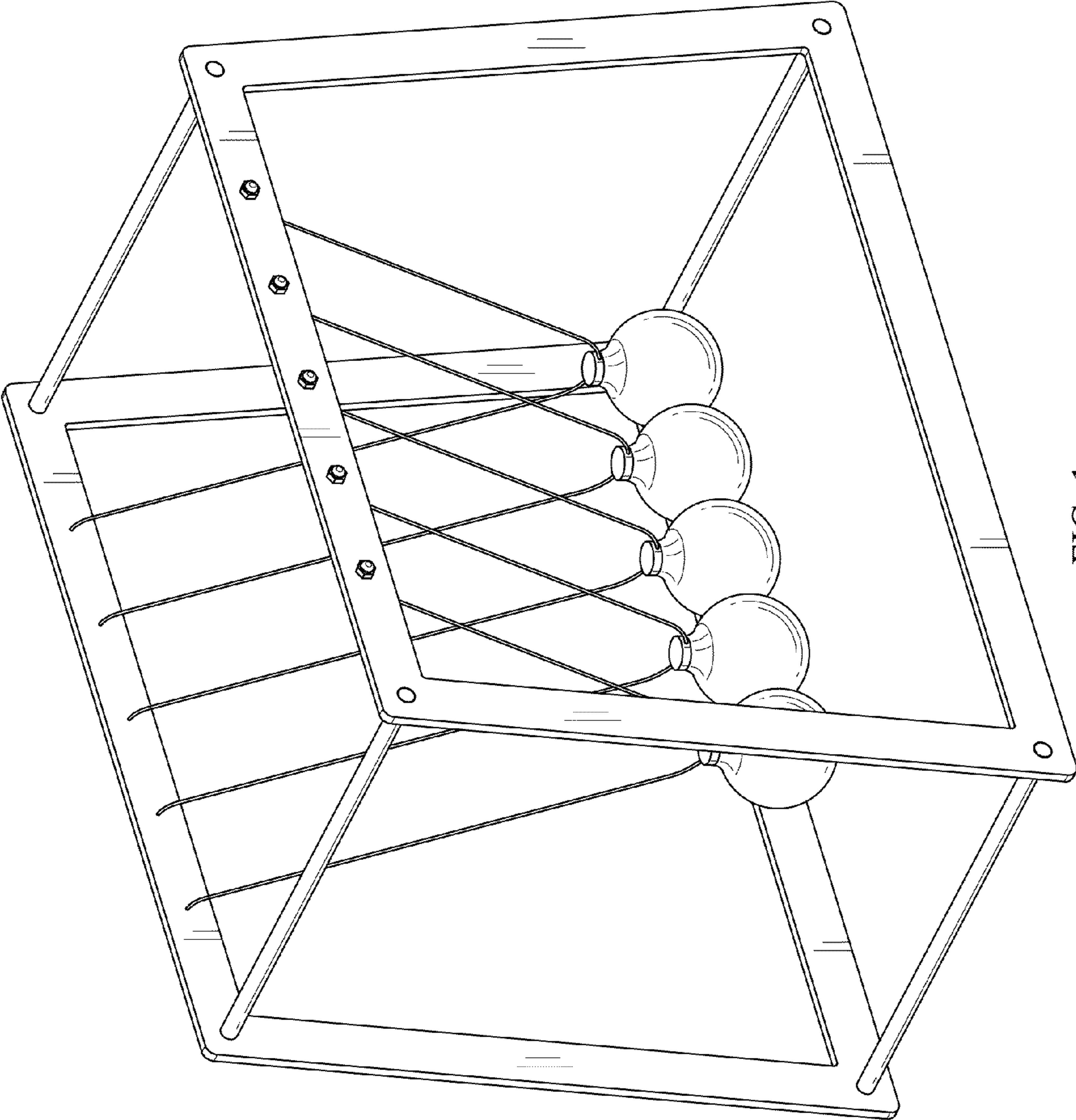


FIG. 1

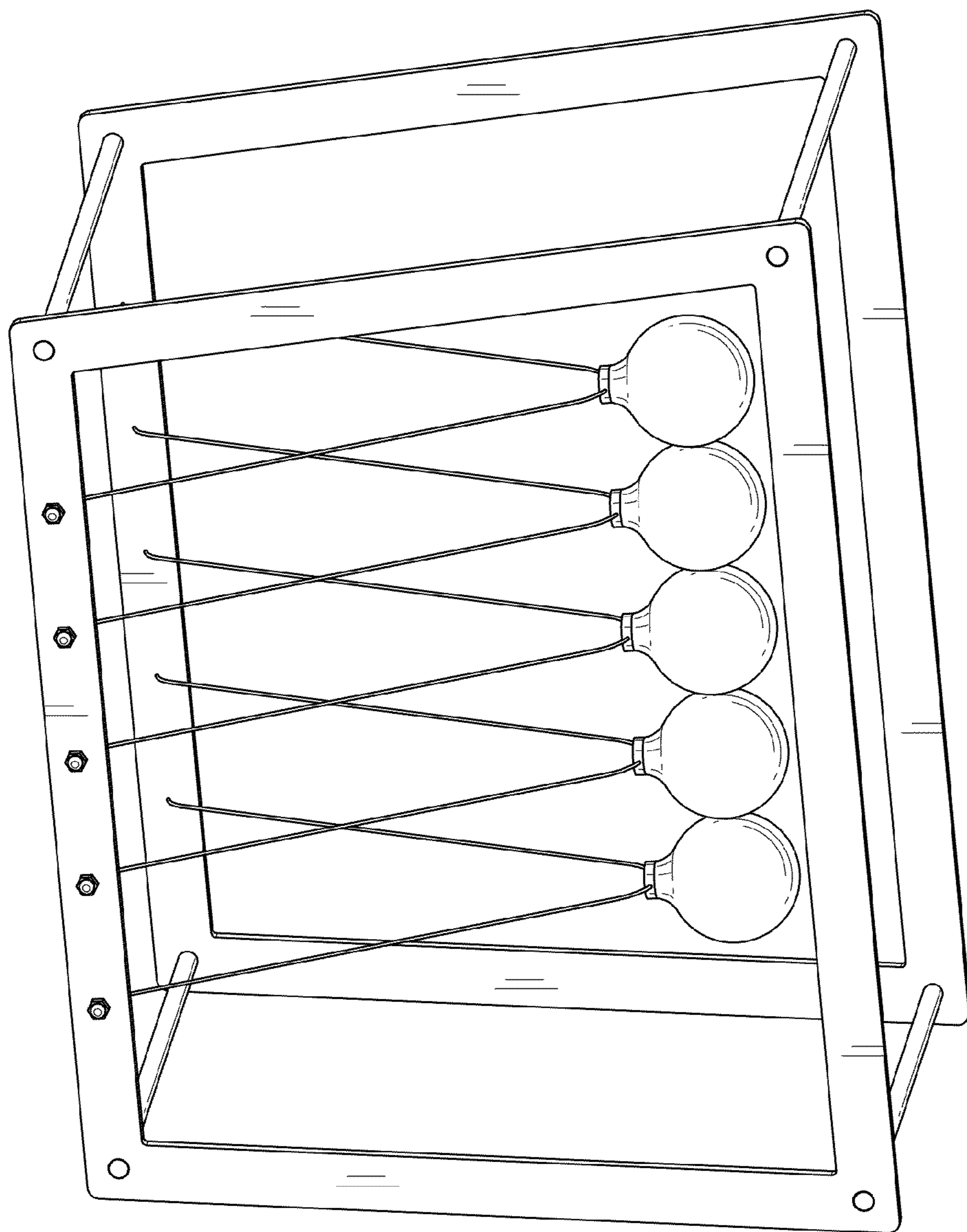


FIG. 2

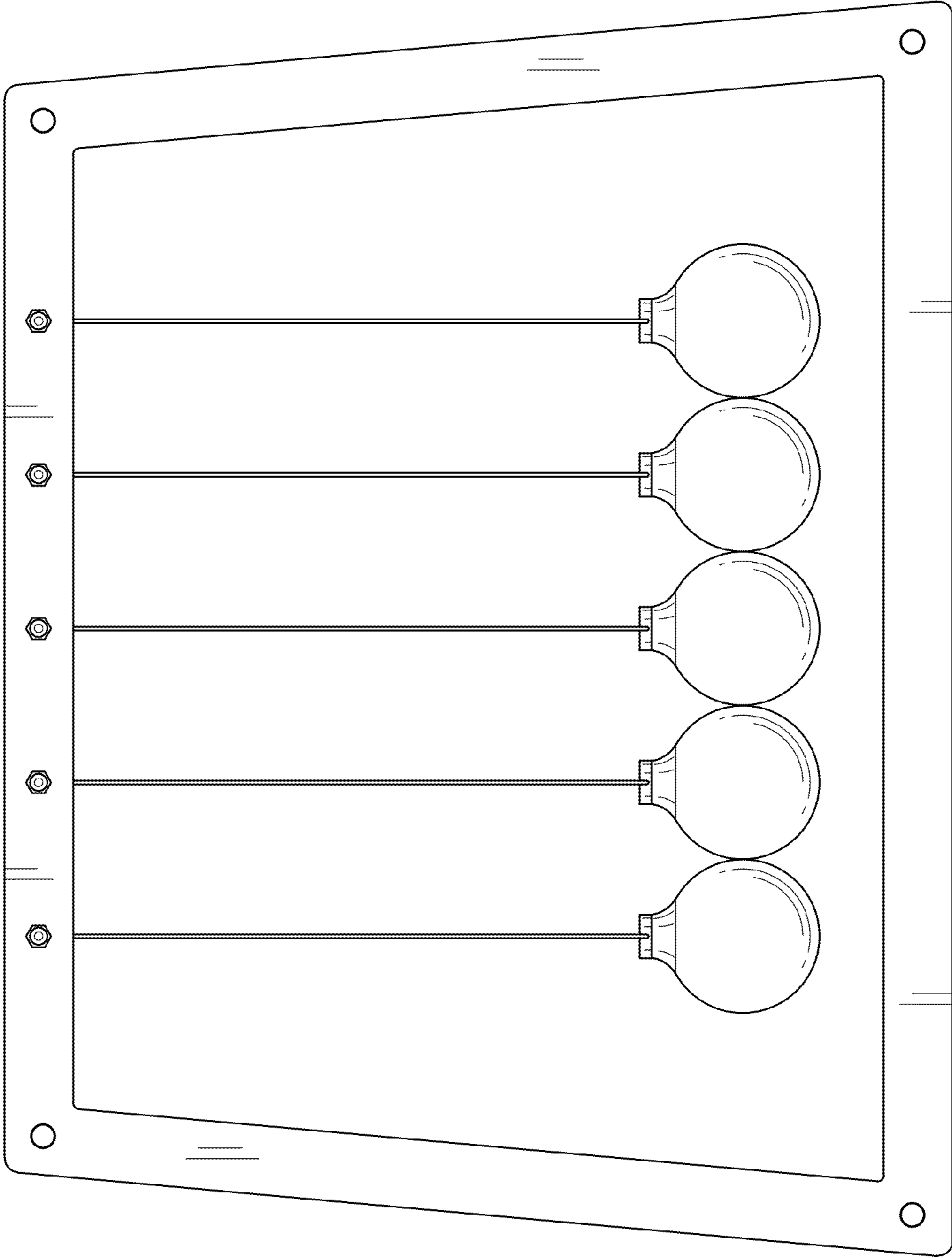


FIG. 3

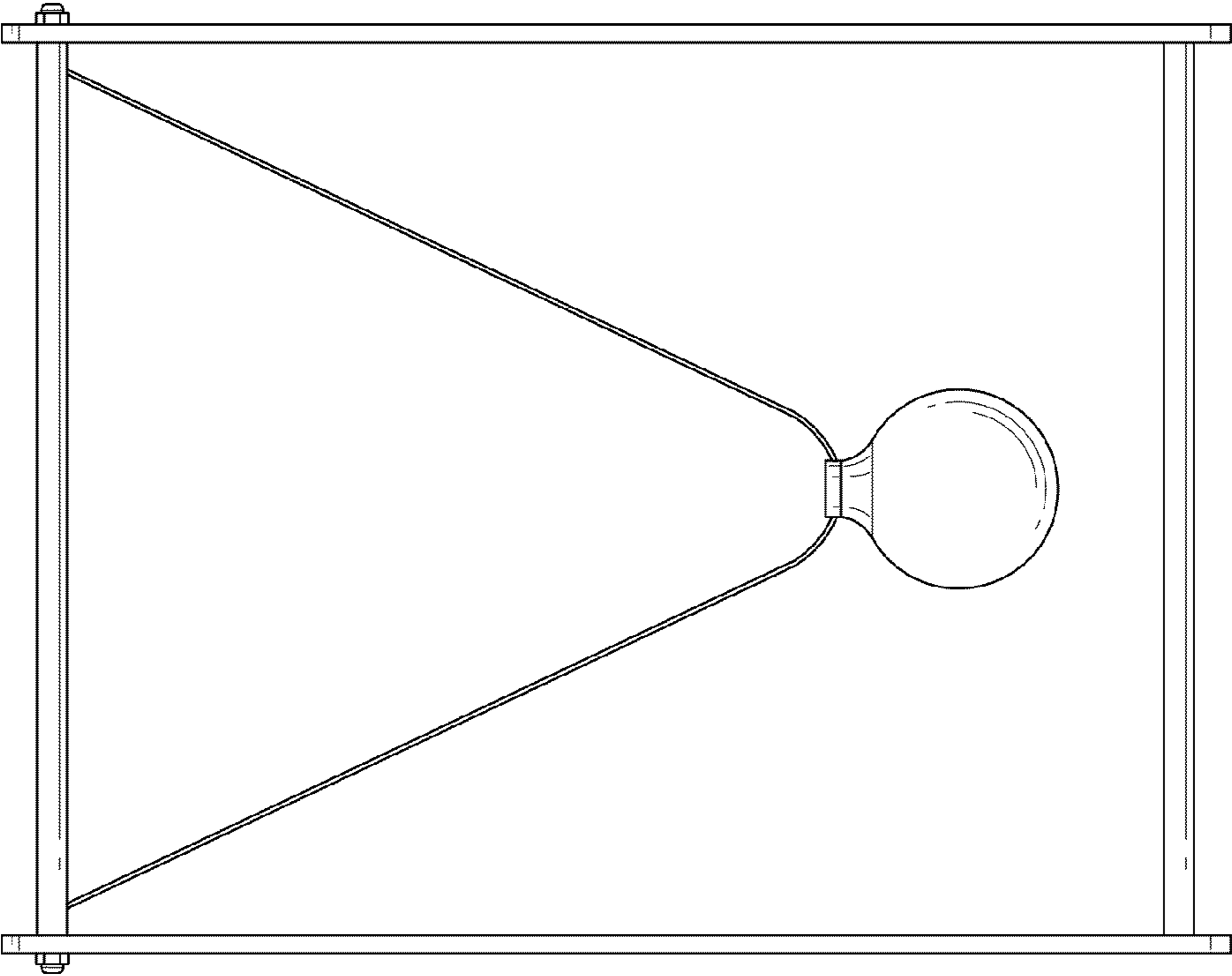


FIG. 4

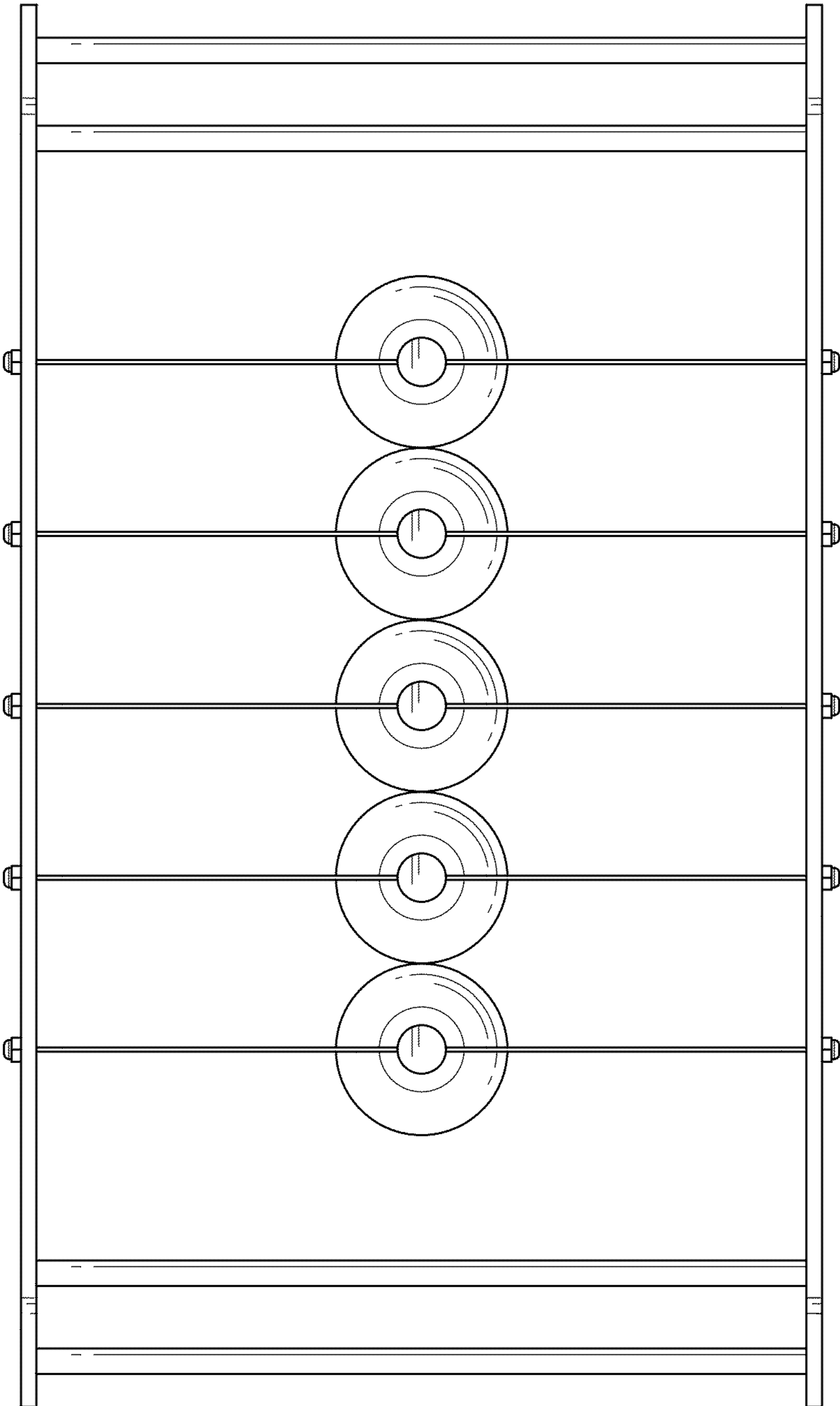


FIG. 5

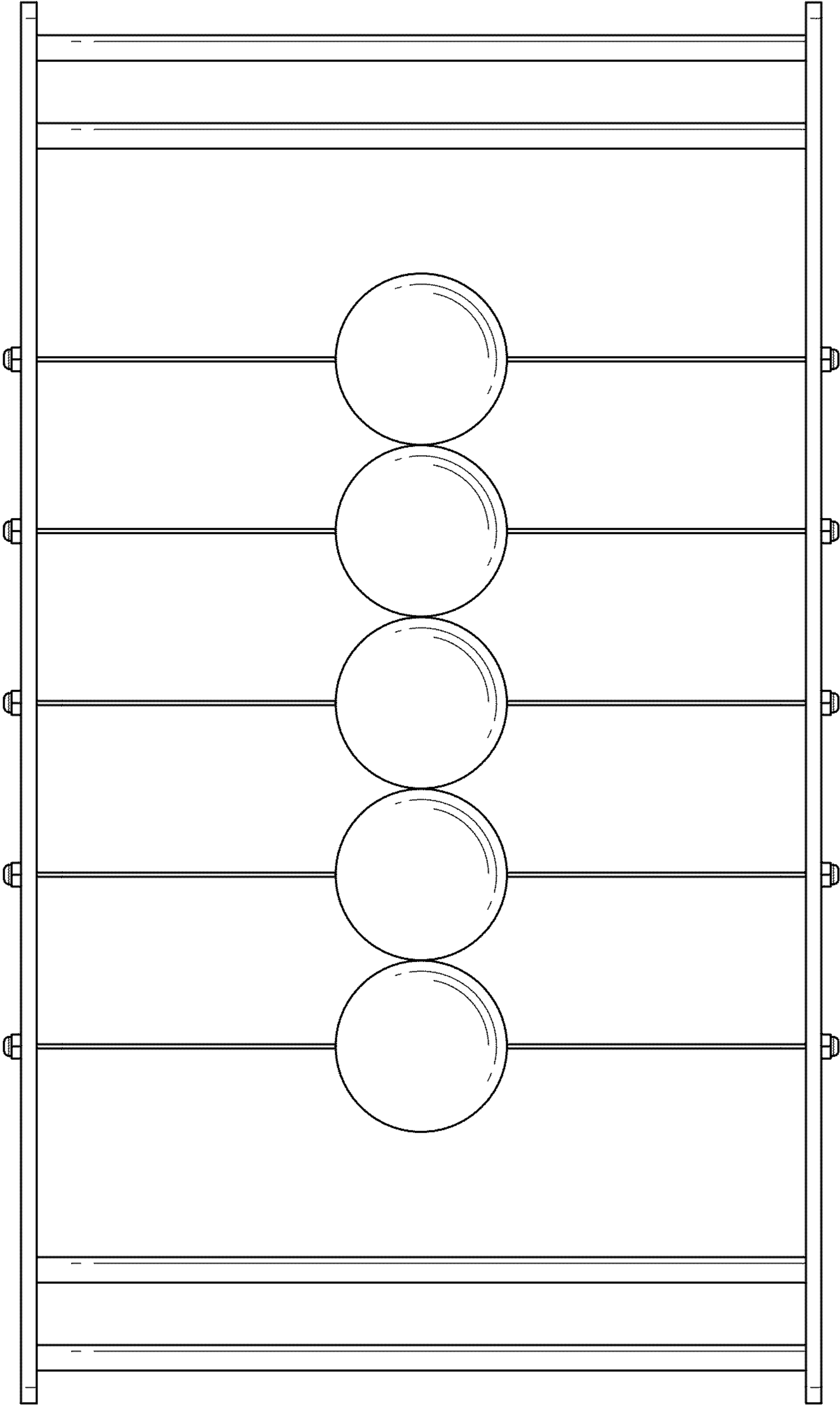


FIG. 6