



US00D684626S

(12) **United States Design Patent**  
**Lam et al.**

(10) **Patent No.:** **US D684,626 S**

(45) **Date of Patent:** **\*\* Jun. 18, 2013**

(54) **INTERCHANGEABLE BOOK CHASSIS**

D365,362 S \* 12/1995 Warren ..... D19/26  
5,531,600 A \* 7/1996 Baer et al. .... 434/317  
5,631,883 A \* 5/1997 Li ..... 434/311

(71) Applicant: **Leo Paper Bags Manufacturing (1982) Limited**, Kowloon (HK)

(Continued)

(72) Inventors: **Cannie Lam**, Kowloon (HK); **Kin Fat Pang**, Kowloon (HK)

*Primary Examiner* — T. Chase Nelson

*Assistant Examiner* — Kathleen M Sims

(74) *Attorney, Agent, or Firm* — Perkins Coie LLP

(73) Assignee: **Leo Paper Bags Manufacturing (1982) Limited**, Kowloon, Hong Kong (CN)

(57) **CLAIM**

The ornamental design for the interchangeable book chassis, as shown and described.

(\*\*) Term: **14 Years**

**DESCRIPTION**

(21) Appl. No.: **29/436,061**

(22) Filed: **Oct. 31, 2012**

(51) **LOC (9) Cl.** ..... **19-04**

(52) **U.S. Cl.**  
USPC ..... **D19/26**

(58) **Field of Classification Search**  
USPC ..... D19/1, 26–28, 60; 281/15.1, 19.1,  
281/21.1, 22, 29, 38, 51; 345/87, 901; 434/308,  
434/317; 283/67.1

See application file for complete search history.

FIG. 1 is a front perspective view showing an interchangeable book chassis in accordance with our new design in a first configuration.

FIG. 2 is a front perspective view thereon in a second configuration.

FIG. 3 is a front side view thereof in the first configuration.

FIG. 4 is a front side view thereof in the second configuration.

FIG. 5 is a rear side view thereof in the first configuration.

FIG. 6 is a rear side view thereof in the second configuration.

FIG. 7 is a right side view thereof in the first configuration.

FIG. 8 is a right side view thereof in the second configuration.

FIG. 9 is a left side view thereof in the first configuration.

FIG. 10 is a left side view thereof in the second configuration.

FIG. 11 is a top view thereof in the first configuration.

FIG. 12 is a top view thereof in the second configuration.

FIG. 13 is a bottom view thereof in the first configuration; and,

FIG. 14 is a bottom view thereof in the second configuration.

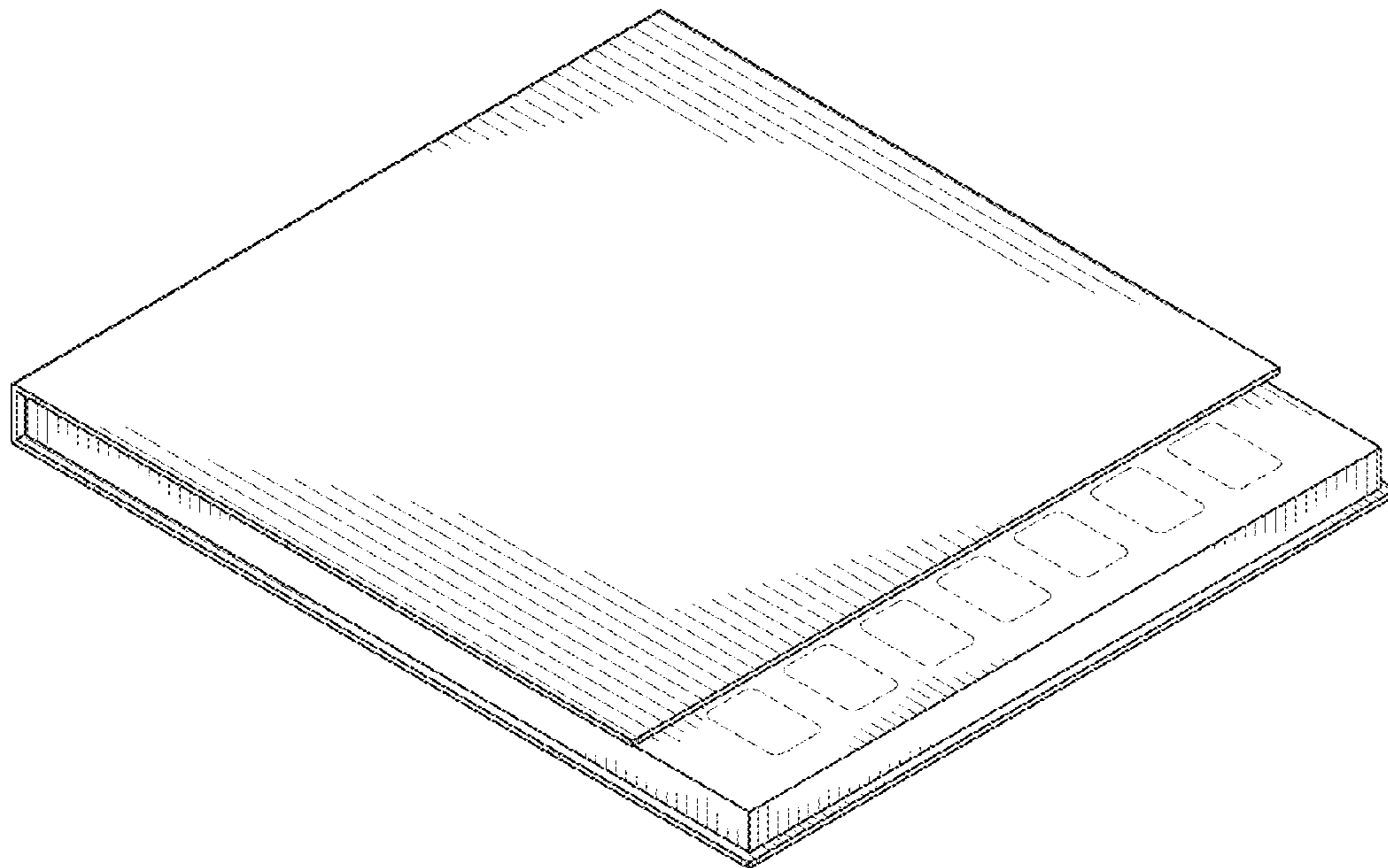
Any broken lines, colors, and/or patterns in the drawing are for illustrative purposes only and form no part of the claimed design.

(56) **References Cited**

**U.S. PATENT DOCUMENTS**

4,809,246	A *	2/1989	Jeng	.....	434/317
D311,549	S *	10/1990	Battisti	.....	D19/26
5,052,717	A *	10/1991	Ninomiya et al.	.....	281/21.1
5,209,665	A *	5/1993	Billings et al.	.....	434/169
5,226,822	A *	7/1993	Morris	.....	434/359
D349,923	S *	8/1994	Billings et al.	.....	D19/26
D354,769	S *	1/1995	Mehler et al.	.....	D19/60
5,407,357	A *	4/1995	Cutler	.....	434/335
5,437,552	A *	8/1995	Baer et al.	.....	434/317
5,453,013	A *	9/1995	Billings et al.	.....	434/169

**1 Claim, 8 Drawing Sheets**



# US D684,626 S

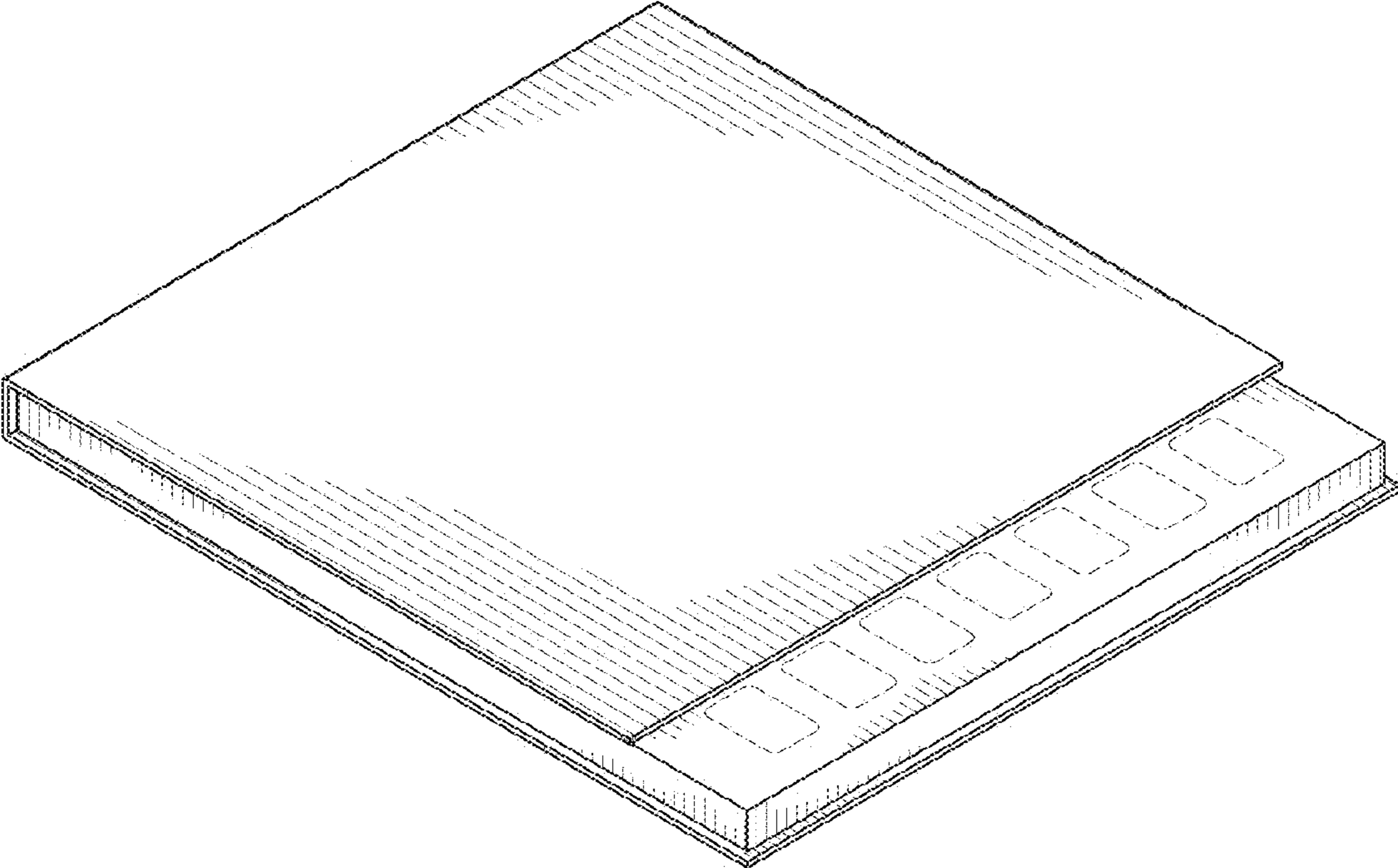
Page 2

---

## U.S. PATENT DOCUMENTS

5,803,748	A *	9/1998	Maddrell et al. ....	434/317	D487,481	S *	3/2004	Harris et al. ....	D19/26
6,041,215	A *	3/2000	Maddrell et al. ....	434/317	2008/0070216	A1 *	3/2008	Becker et al. ....	434/317
D426,262	S *	6/2000	Humphrey .....	D19/26	2008/0268415	A1 *	10/2008	Kwong .....	434/317
6,167,233	A *	12/2000	Gresser et al. ....	434/308	2011/0244438	A1 *	10/2011	Legrand .....	434/317

\* cited by examiner



*Fig. 1*

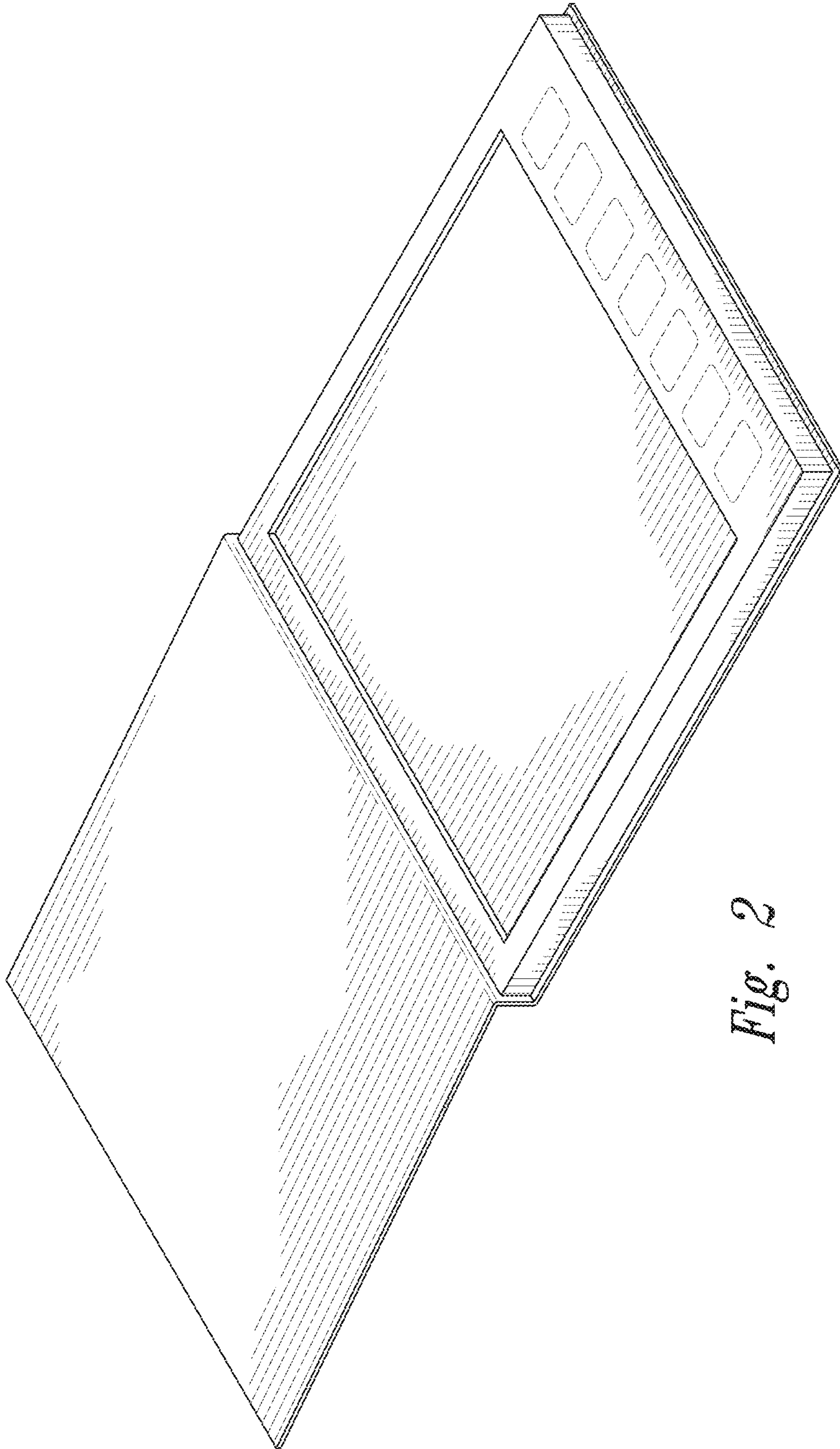
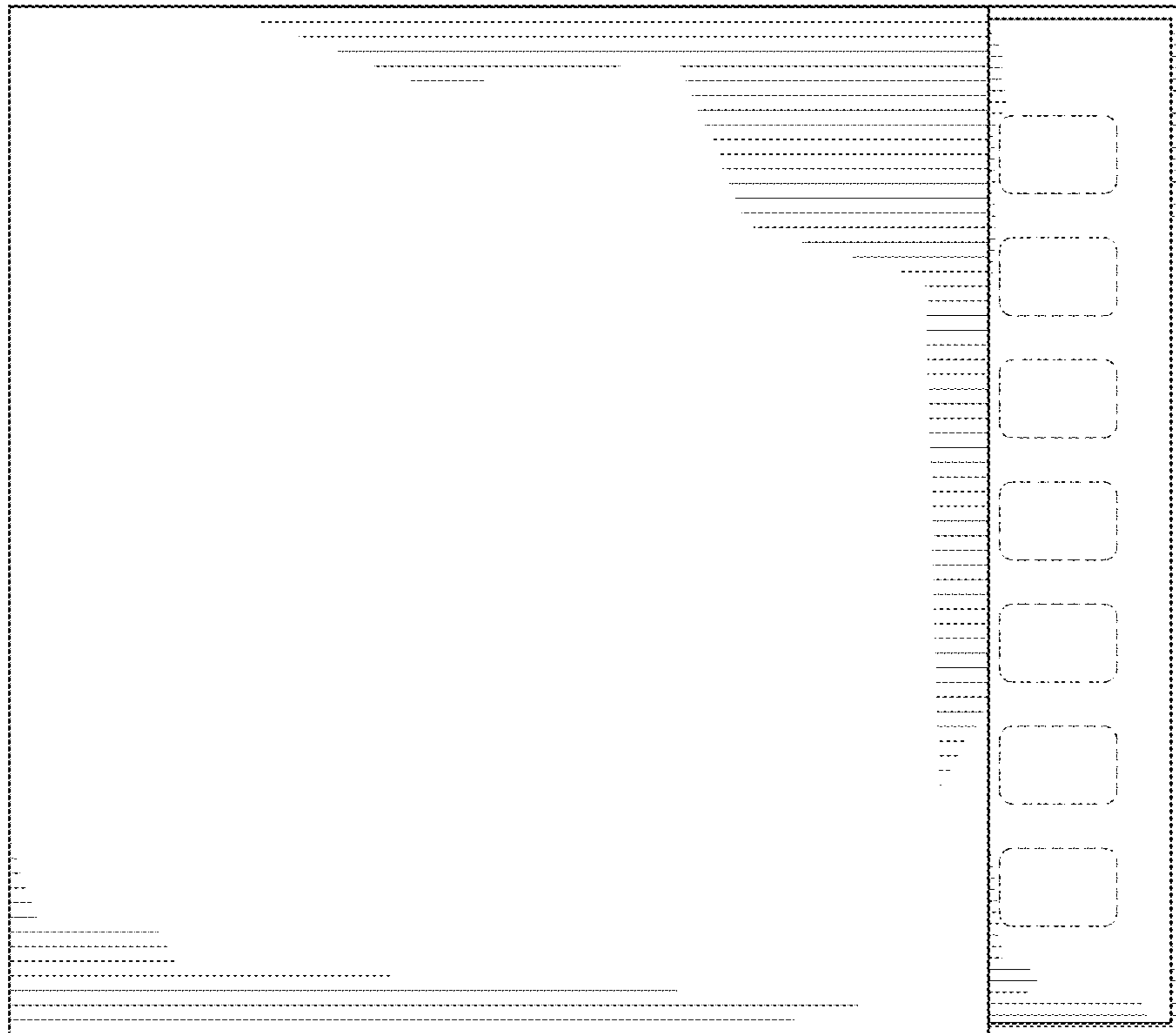
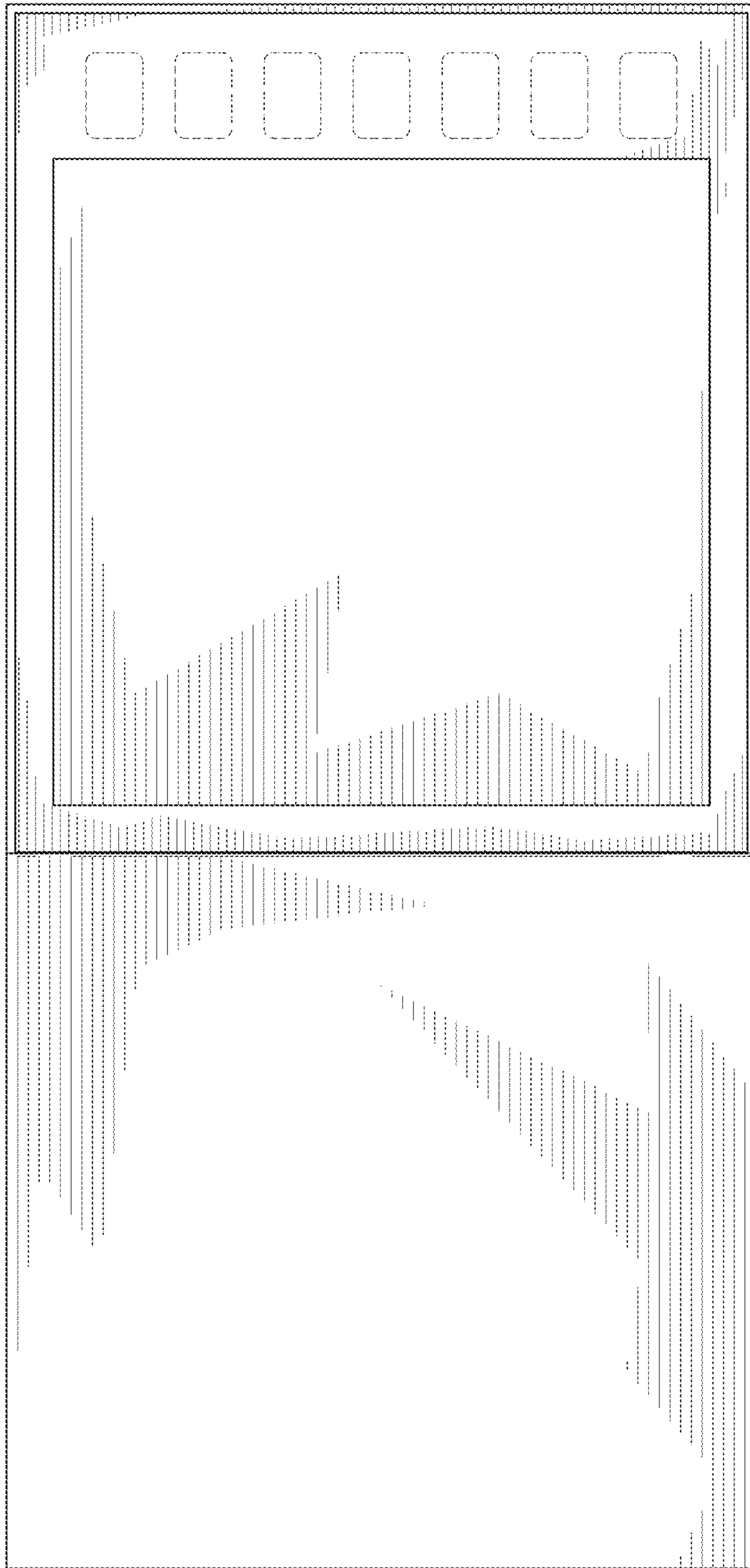


Fig. 2

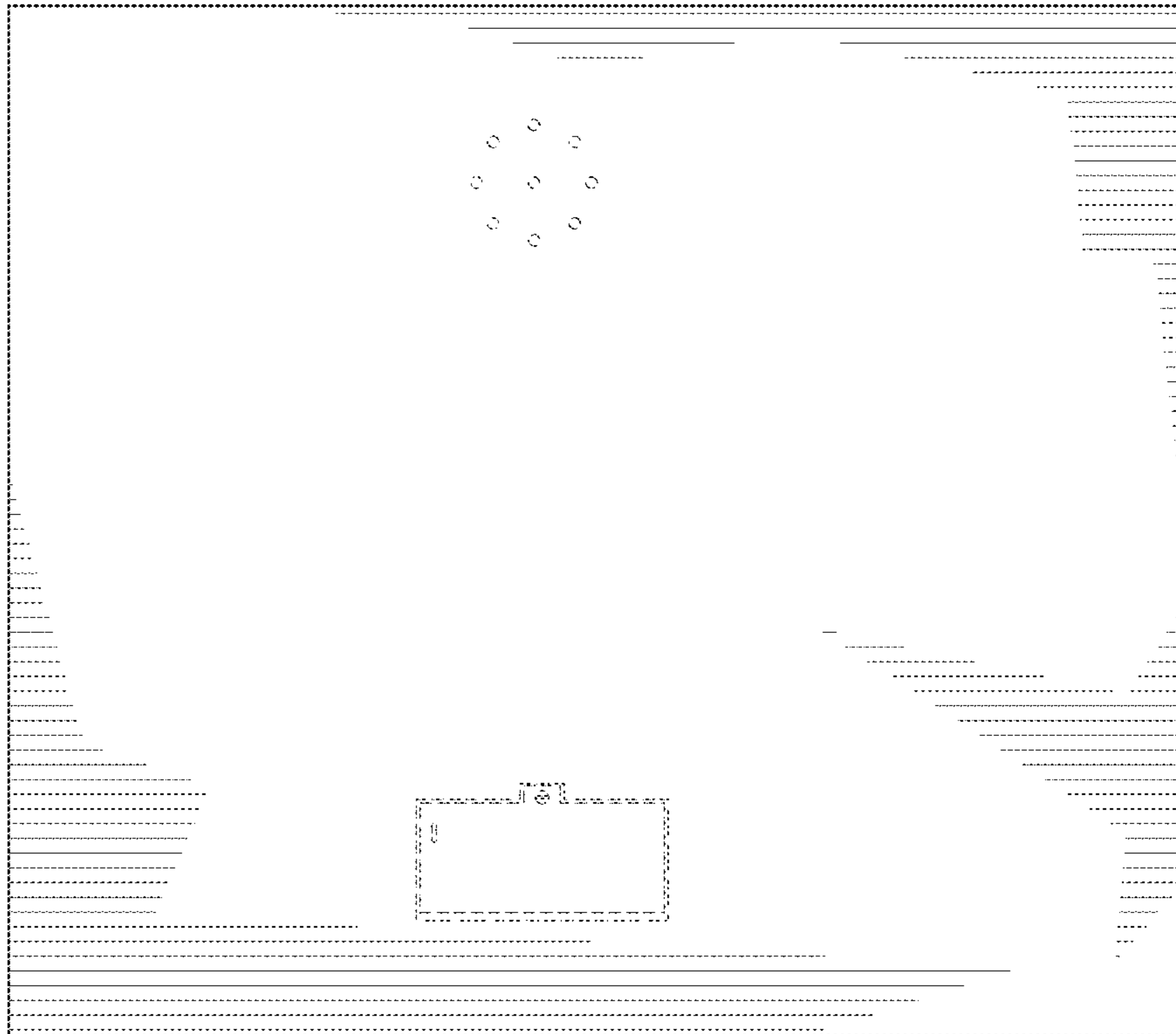




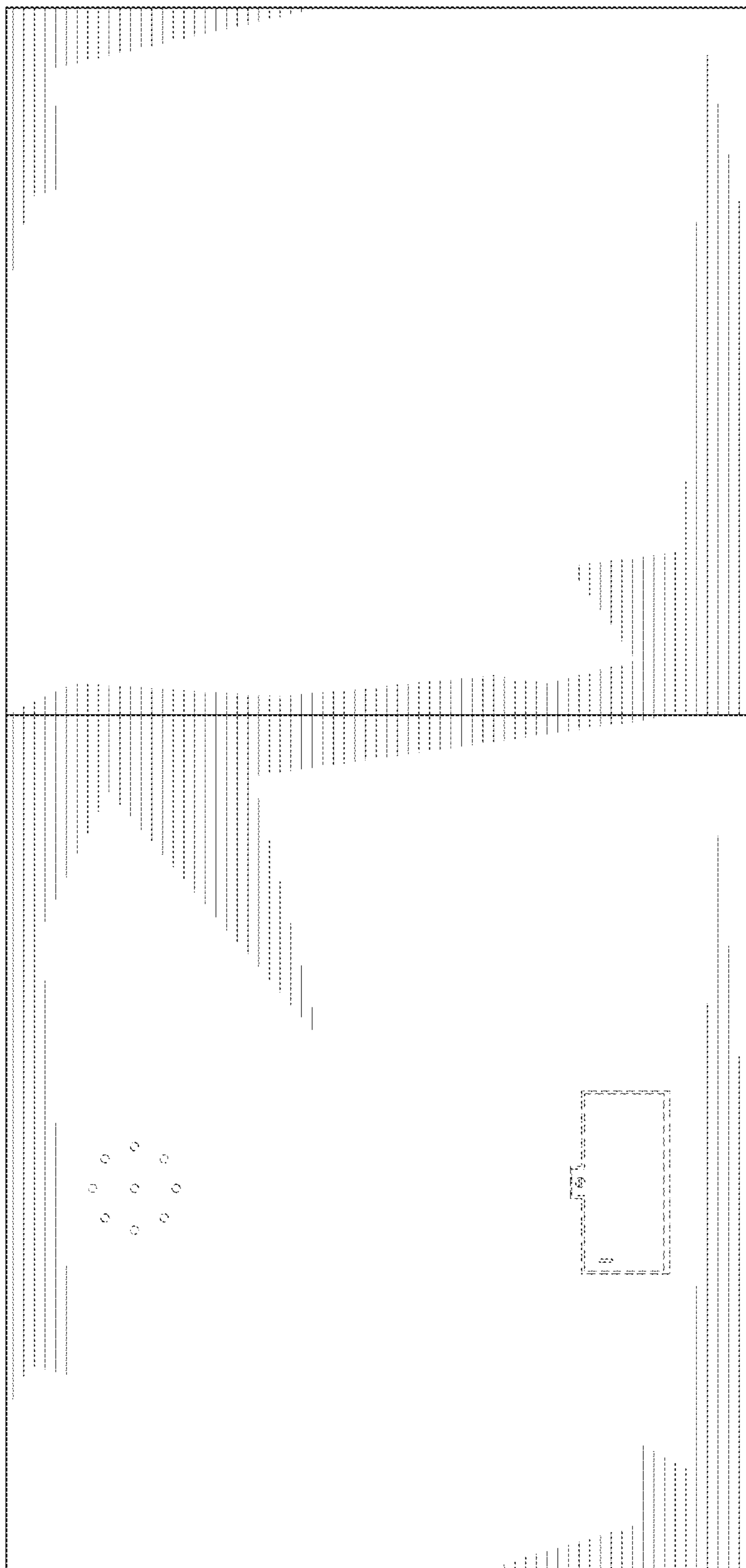
*Fig. 3*



*Fig. 4*



*Fig. 5*

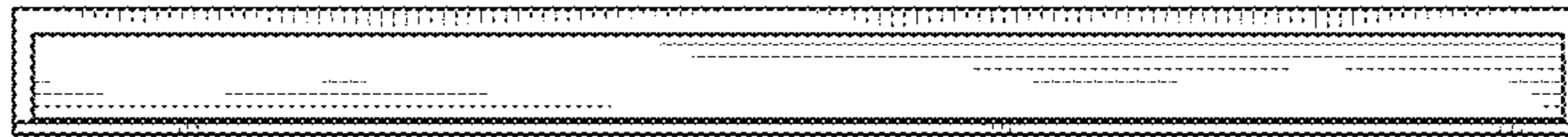


*Fig. 6*

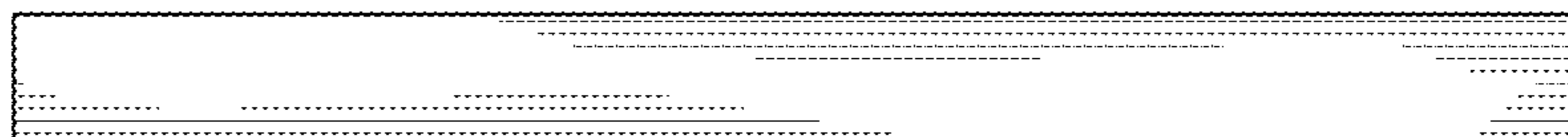




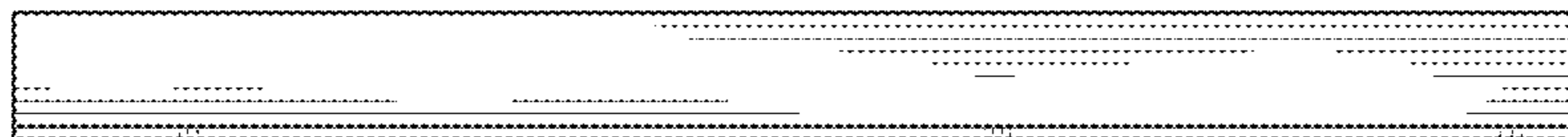
*Fig. 7*



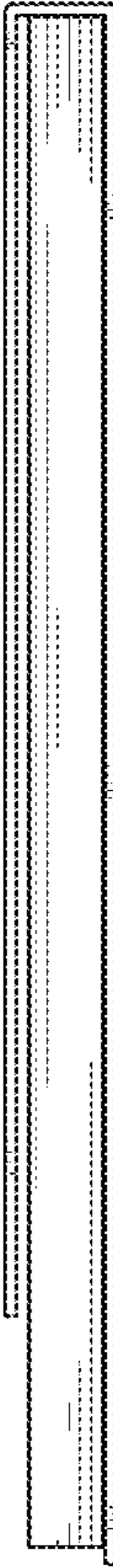
*Fig. 8*



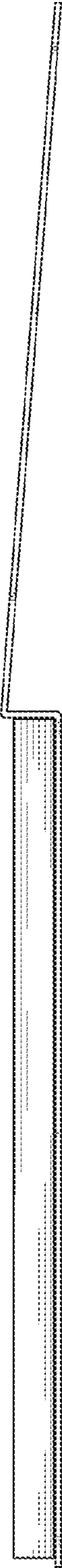
*Fig. 9*



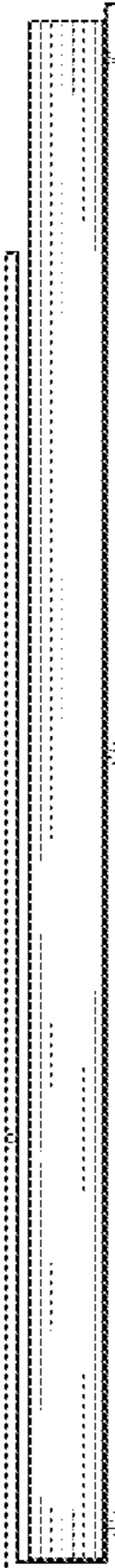
*Fig. 10*



*Fig. 11*



*Fig. 12*



*Fig. 13*



*Fig. 14*