



US00D684625S

(12) **United States Design Patent**
André

(10) **Patent No.:** **US D684,625 S**
(45) **Date of Patent:** **** Jun. 18, 2013**

(54) **DATE CALENDAR**

(75) Inventor: **Olivier André**, Pok Fu Lam (HK)

(73) Assignee: **Interned Asia Limited**, Hung Hom, Kowloon (HK)

(**) Term: **14 Years**

(21) Appl. No.: **29/418,584**

(22) Filed: **Apr. 18, 2012**

(30) **Foreign Application Priority Data**

Oct. 18, 2011 (CN) 2011 3 0388323
Oct. 18, 2011 (HK) 1101809.0M002

(51) **LOC (9) Cl.** **19-03**

(52) **U.S. Cl.**
USPC **D19/20**

(58) **Field of Classification Search**
USPC D19/1-12, 20-34, 75-77, 86, 59;
40/124.01-124.15, 726, 109-110, 107,
113-117, 118, 358; 283/2-3; D20/10, 22,
D20/27, 40; 368/28, 276-278; D10/15
See application file for complete search history.

(56) **References Cited**

U.S. PATENT DOCUMENTS

D149,335 S * 4/1948 Beaty D19/23
3,564,741 A * 2/1971 Kahre et al. 40/107
3,670,436 A * 6/1972 Weissman 40/107
3,829,996 A * 8/1974 Buschman 40/358
D245,422 S * 8/1977 Vanderhyden, Jr. D19/25

4,136,473 A * 1/1979 Coe D19/20
D297,244 S * 8/1988 Kennedy D19/25
5,696,739 A * 12/1997 Chang 368/29
D498,789 S * 11/2004 Lawson D19/25
7,397,731 B2 * 7/2008 Scurlock et al. 368/28

* cited by examiner

Primary Examiner — Caron D Veynar

Assistant Examiner — Abraham Bahta

(74) *Attorney, Agent, or Firm* — Merchant & Gould P.C.

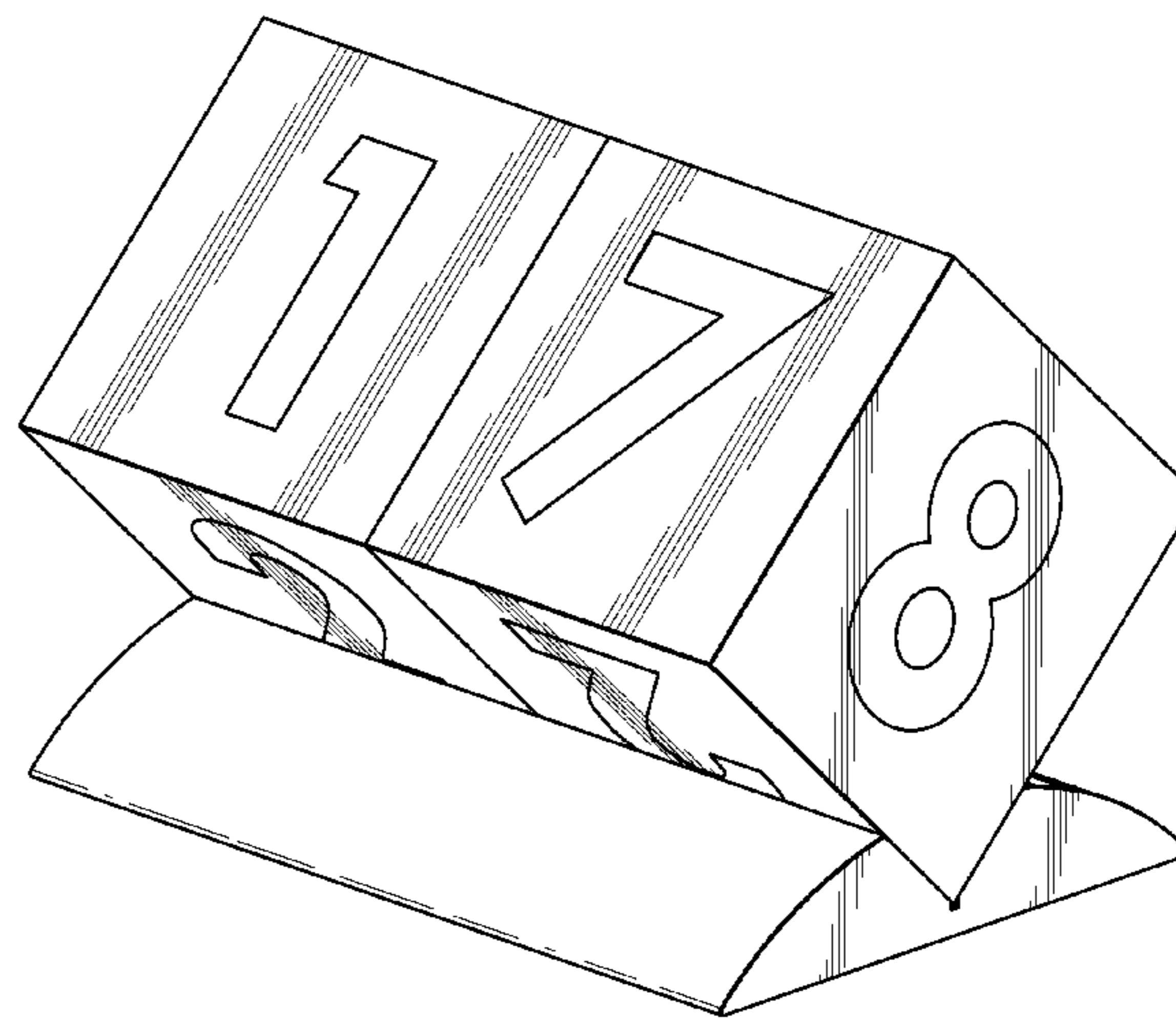
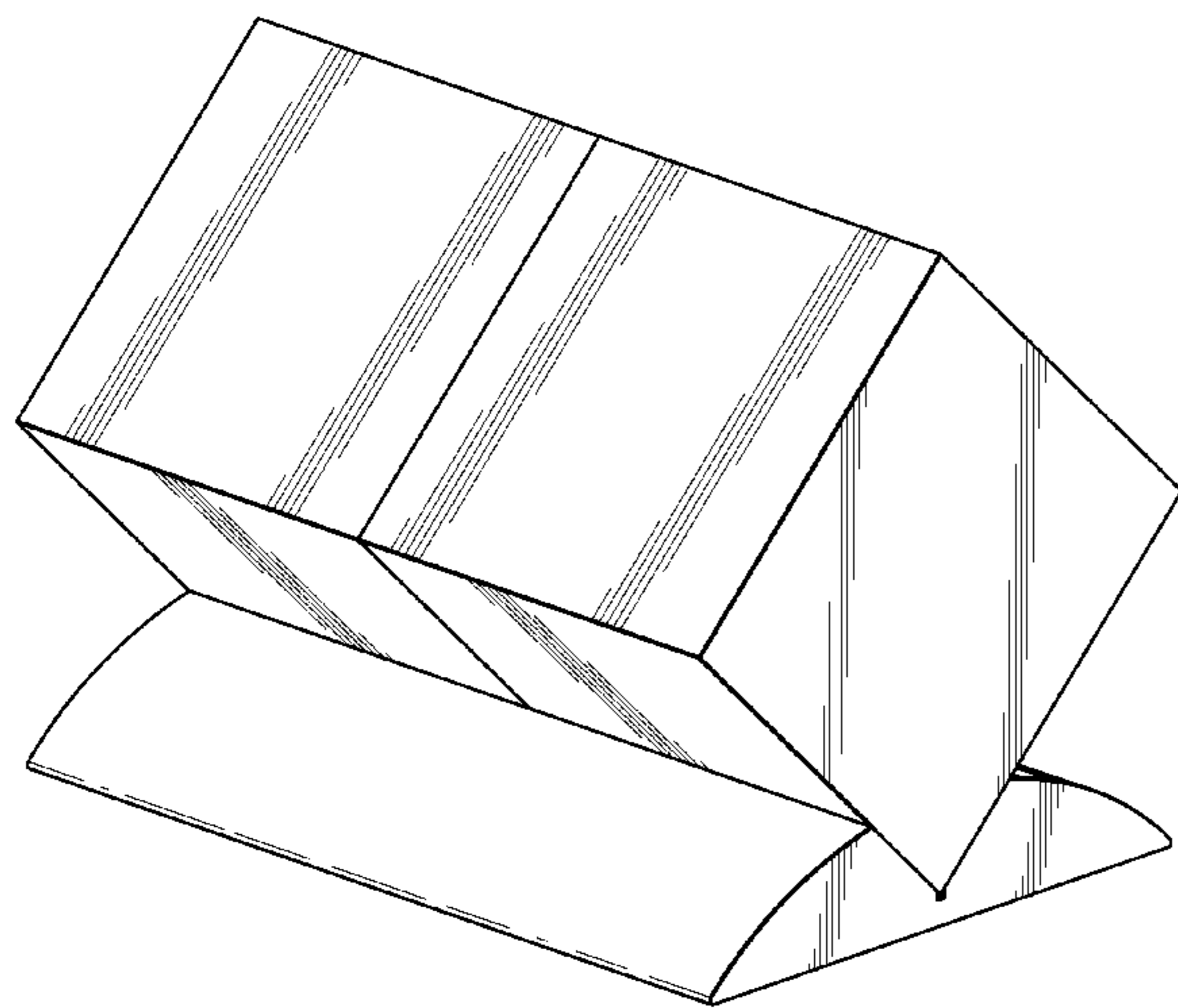
(57) **CLAIM**

The ornamental design for date calendar, as shown and described.

DESCRIPTION

FIG. 1 is a perspective view of a first embodiment of the date calendar showing my new design;
FIG. 2 is a front view thereof;
FIG. 3 is a back view thereof;
FIG. 4 is a side view thereof;
FIG. 5 is a side view thereof;
FIG. 6 is a top view thereof;
FIG. 7 is a bottom view thereof;
FIG. 8 is a perspective view of a second embodiment of the date calendar with numerals;
FIG. 9 is a front view thereof;
FIG. 10 is a back view thereof;
FIG. 11 is a side view thereof;
FIG. 12 is a side view thereof;
FIG. 13 is a top view thereof; and,
FIG. 14 is a bottom view thereof.

1 Claim, 14 Drawing Sheets



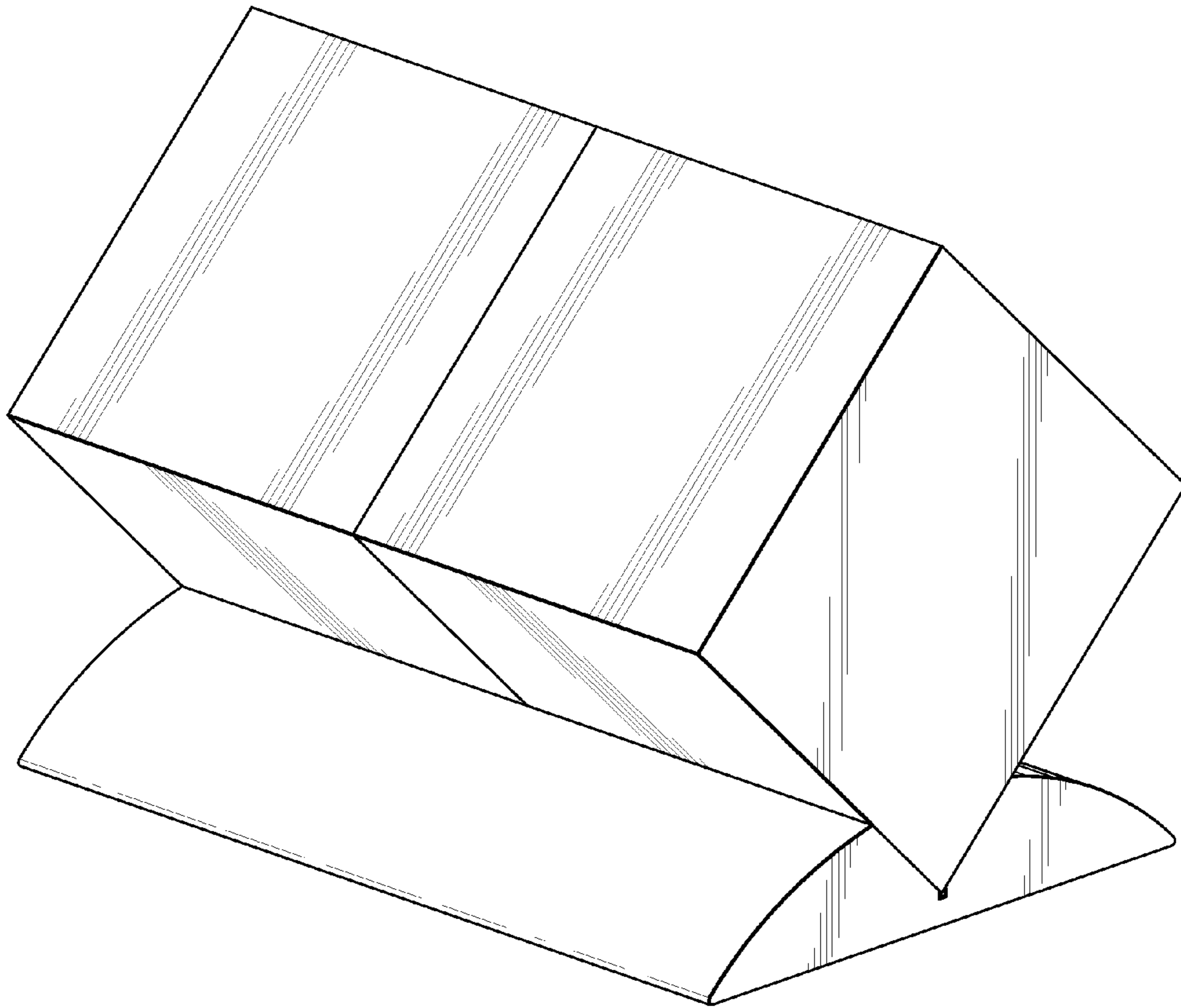


FIG. 1

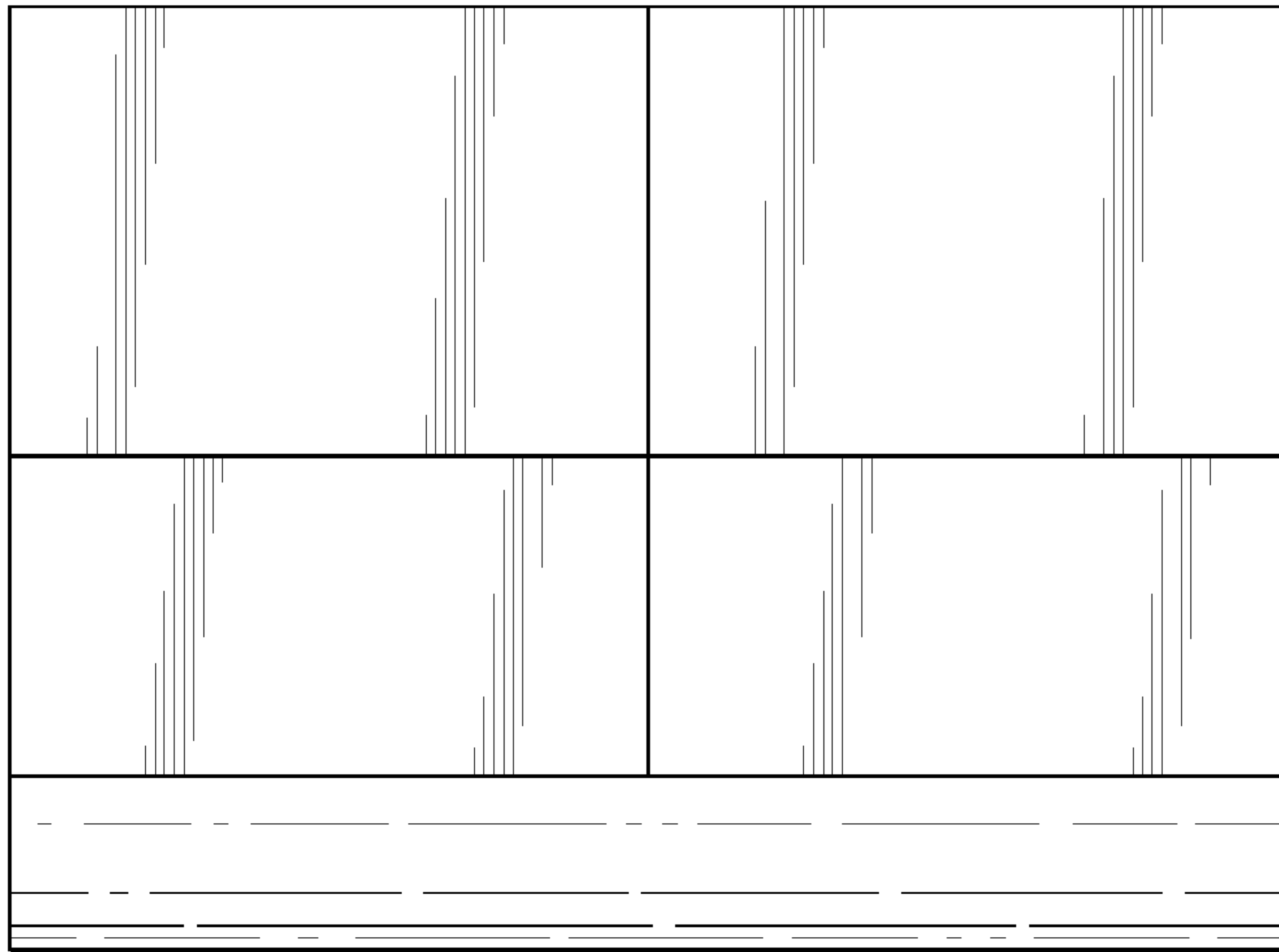


FIG. 2

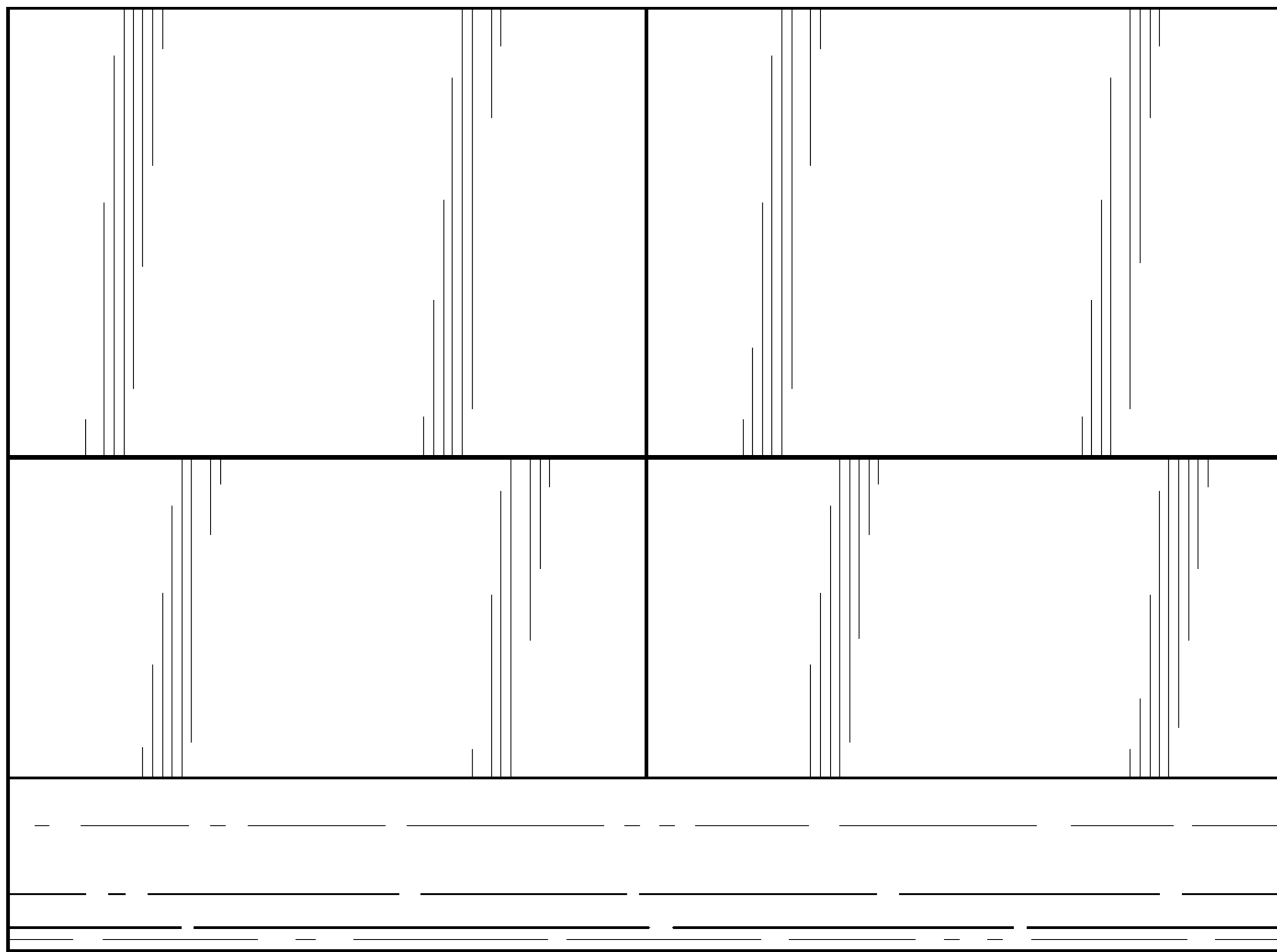


FIG. 3

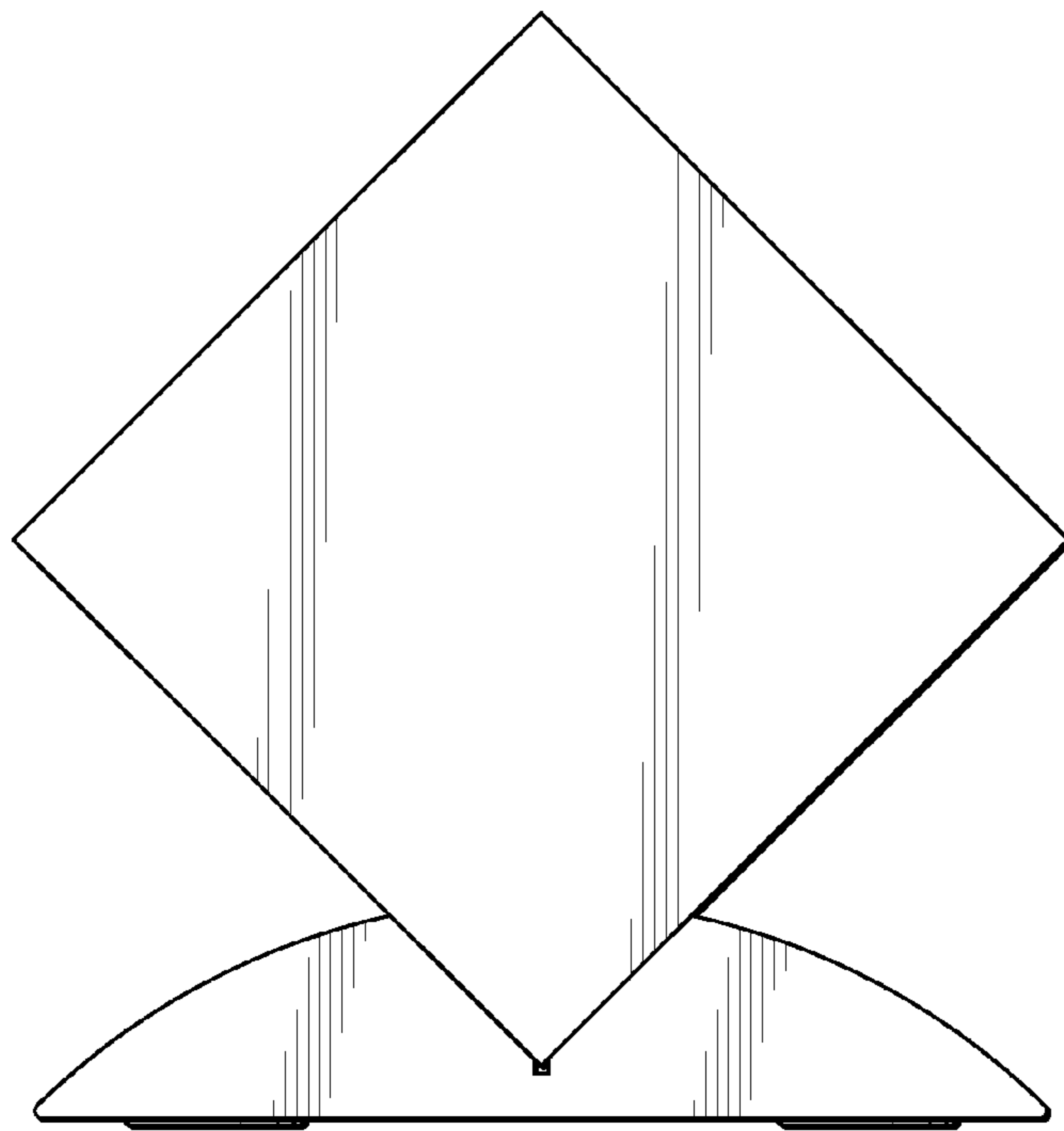


FIG. 4

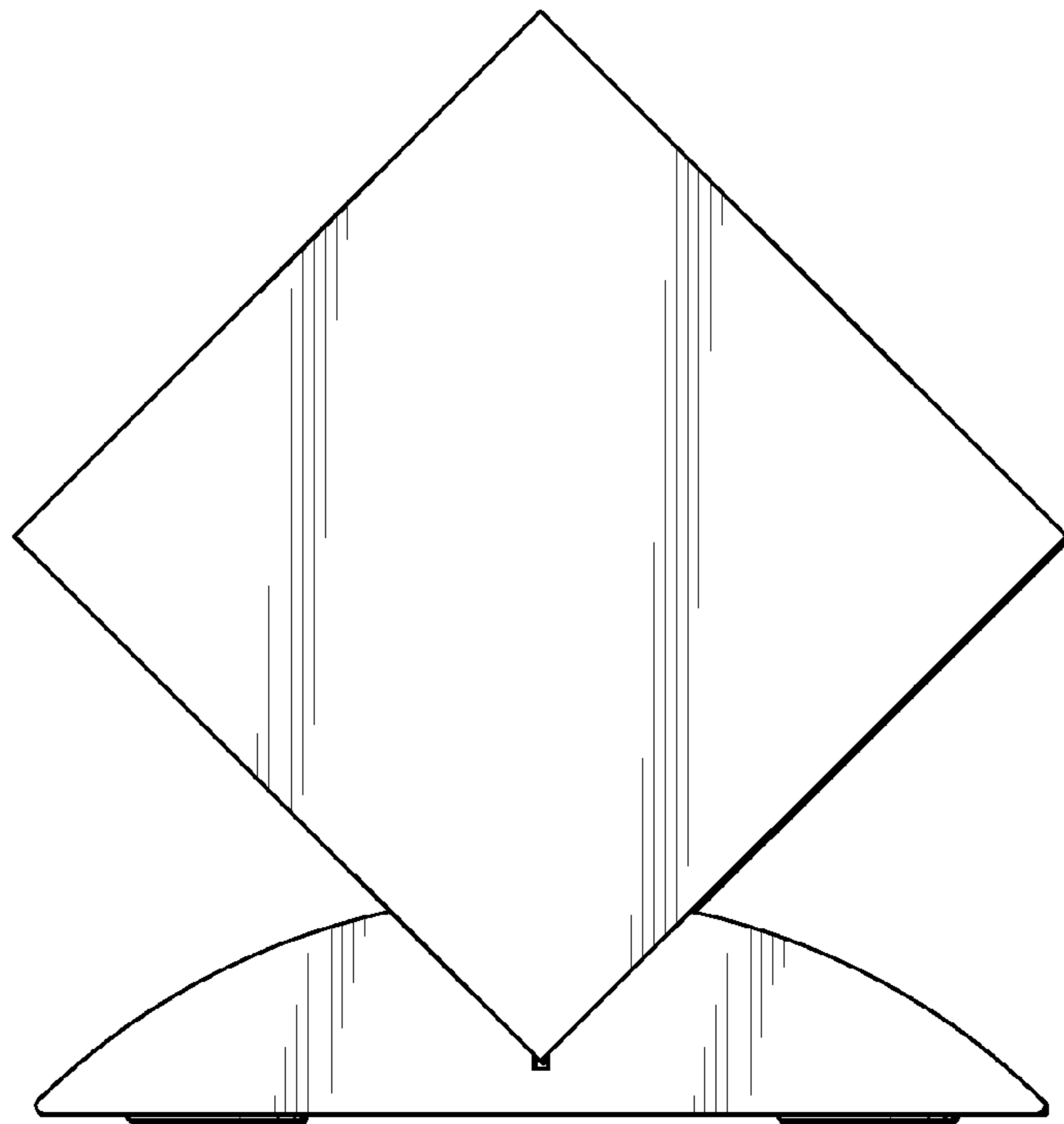


FIG. 5

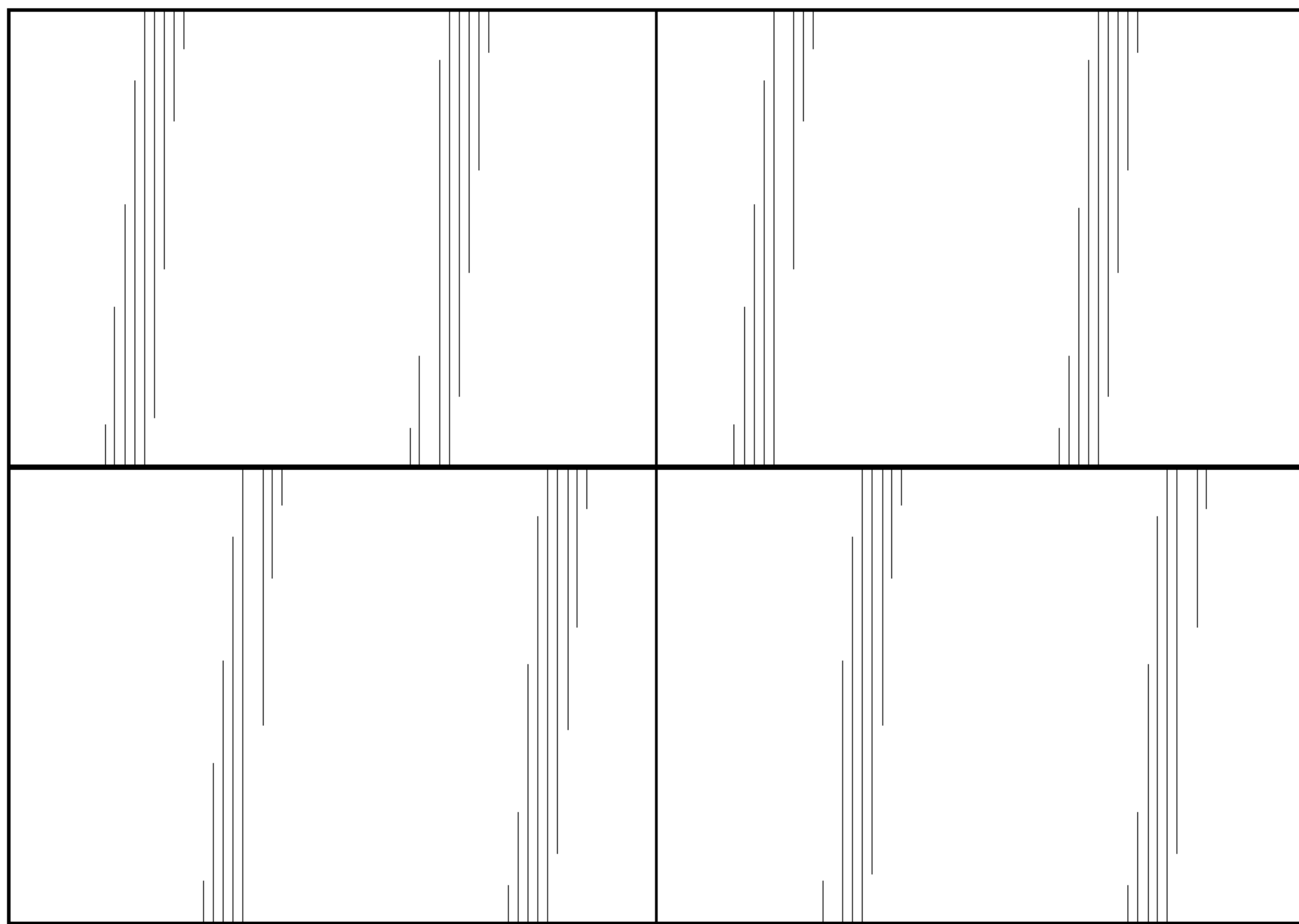


FIG. 6

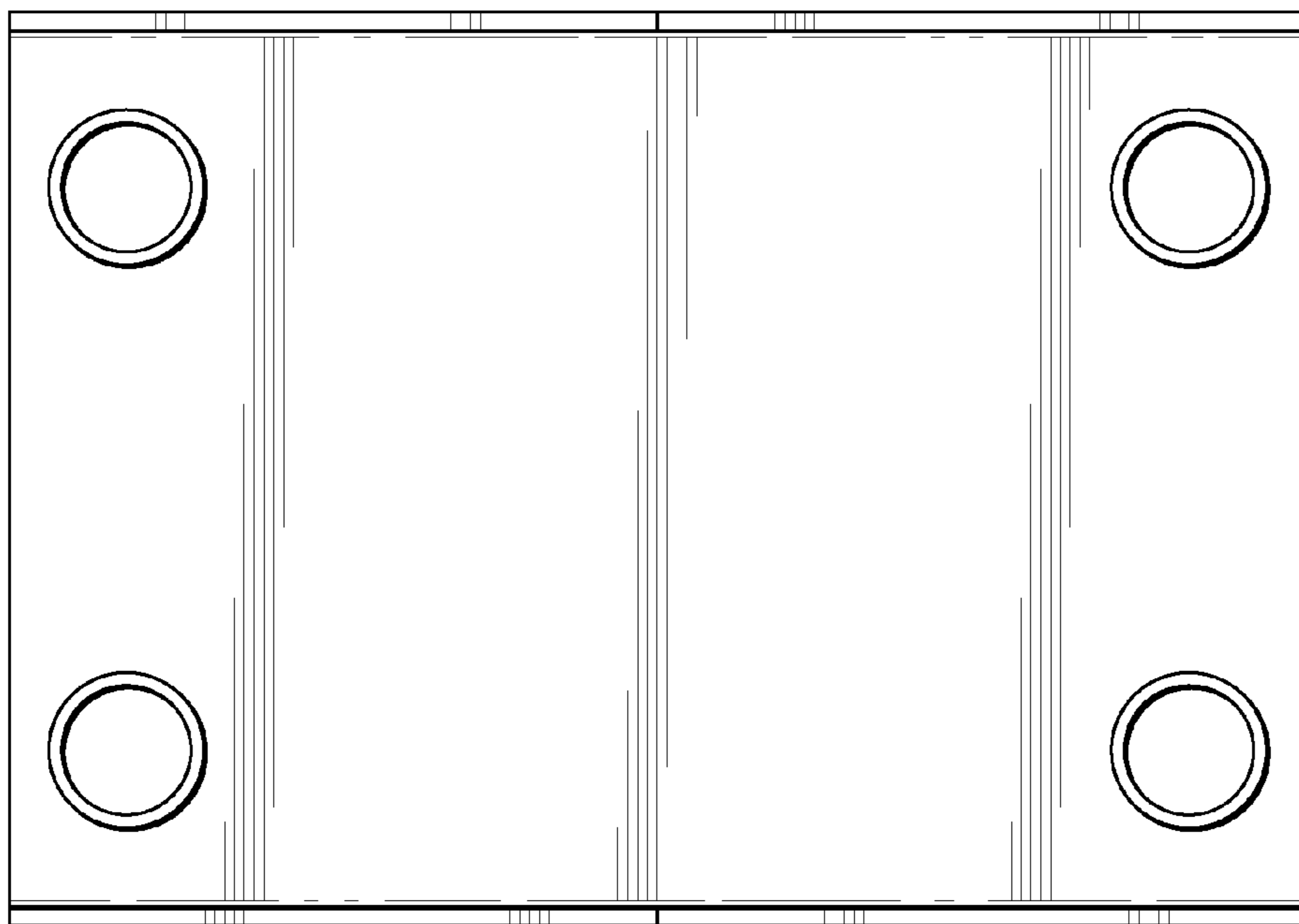


FIG. 7

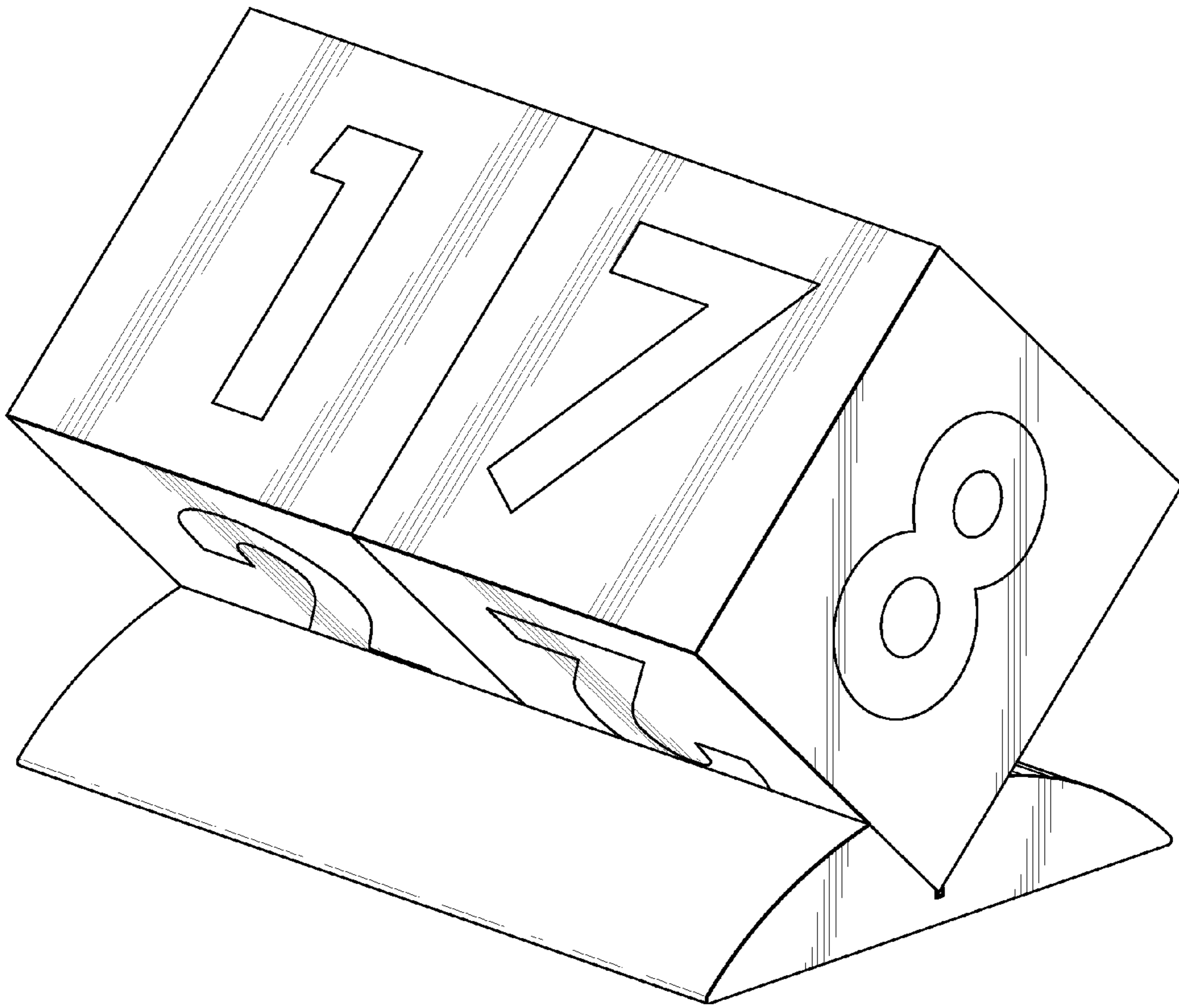


FIG. 8

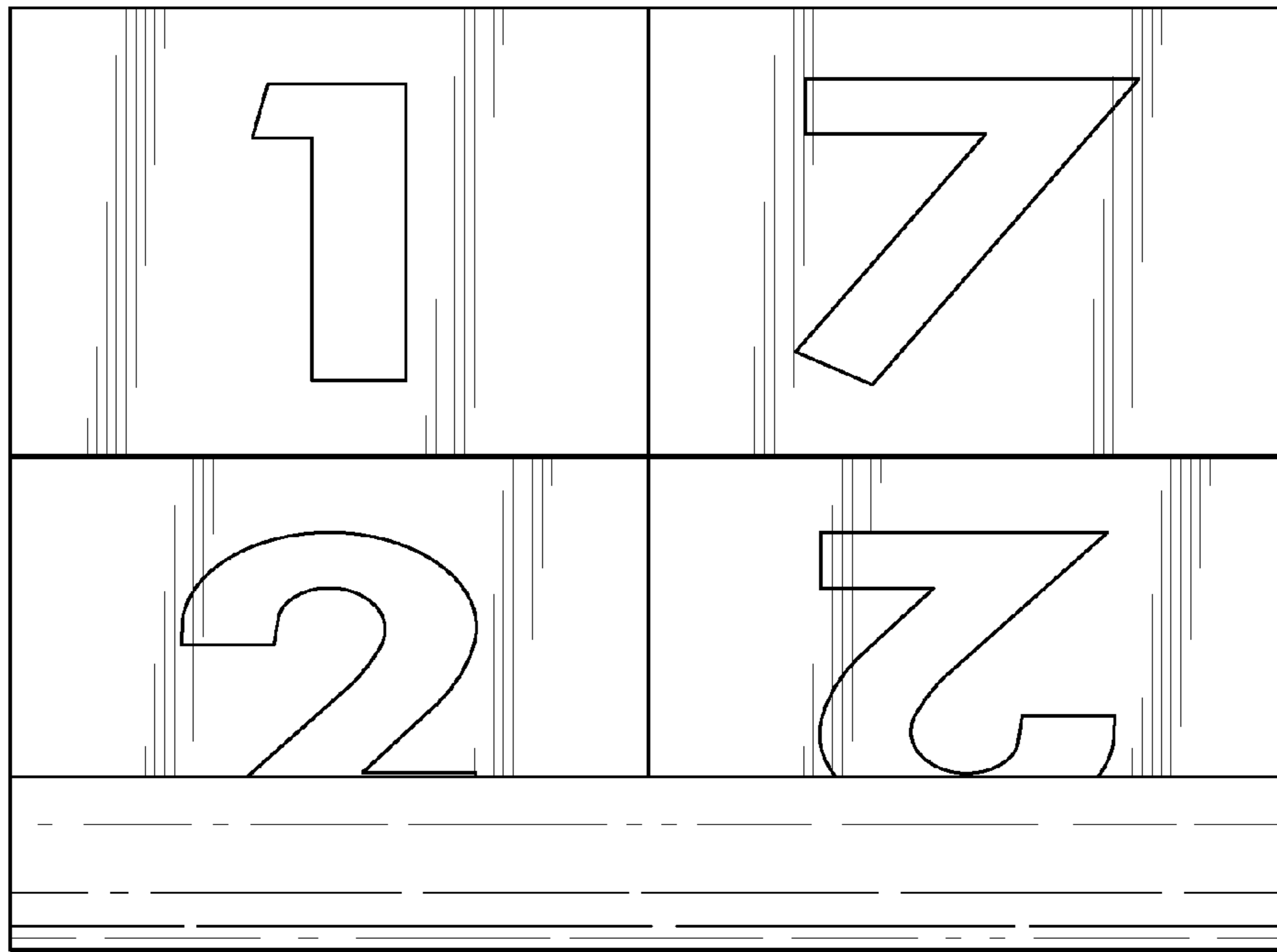


FIG. 9

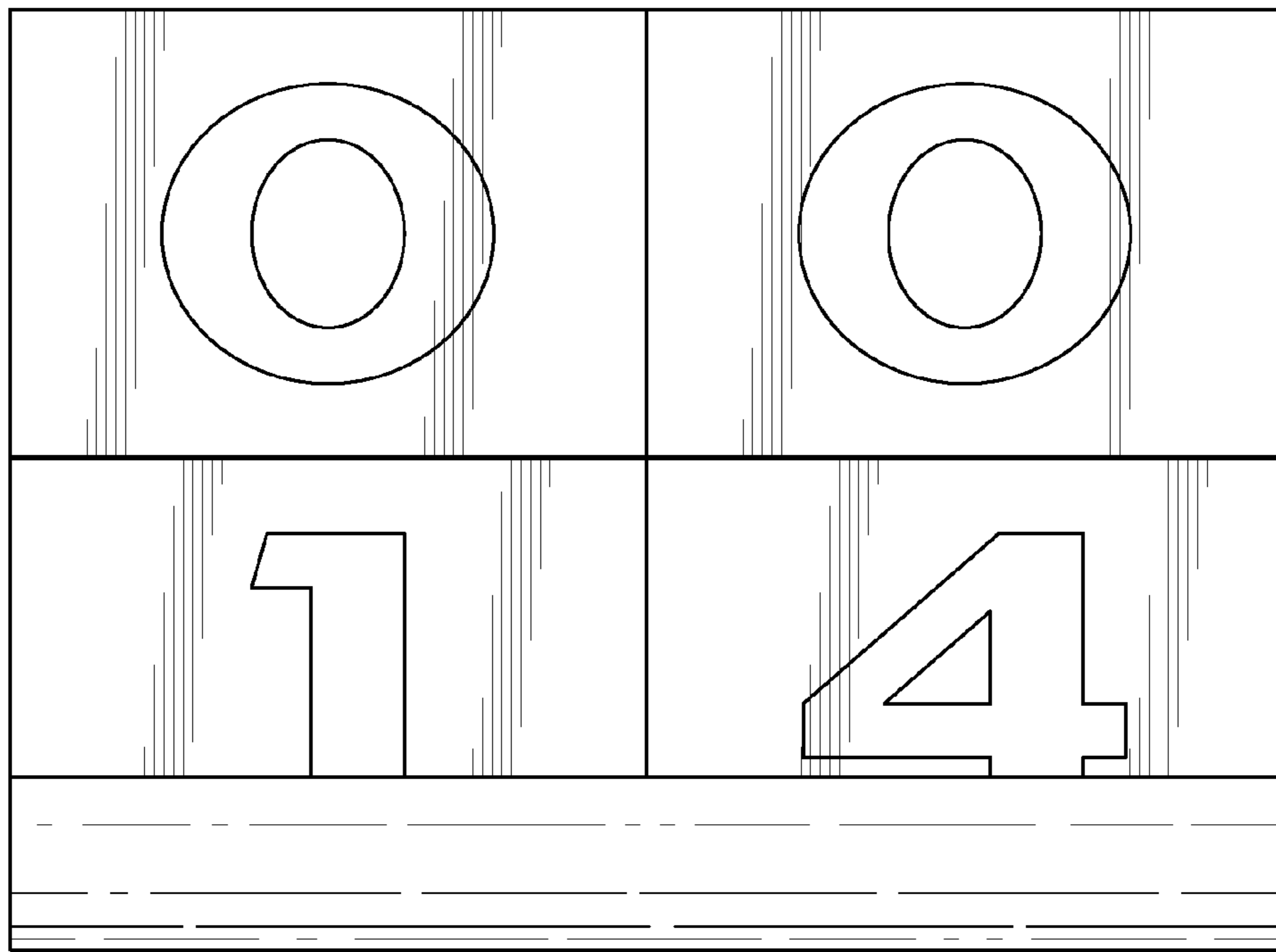


FIG. 10

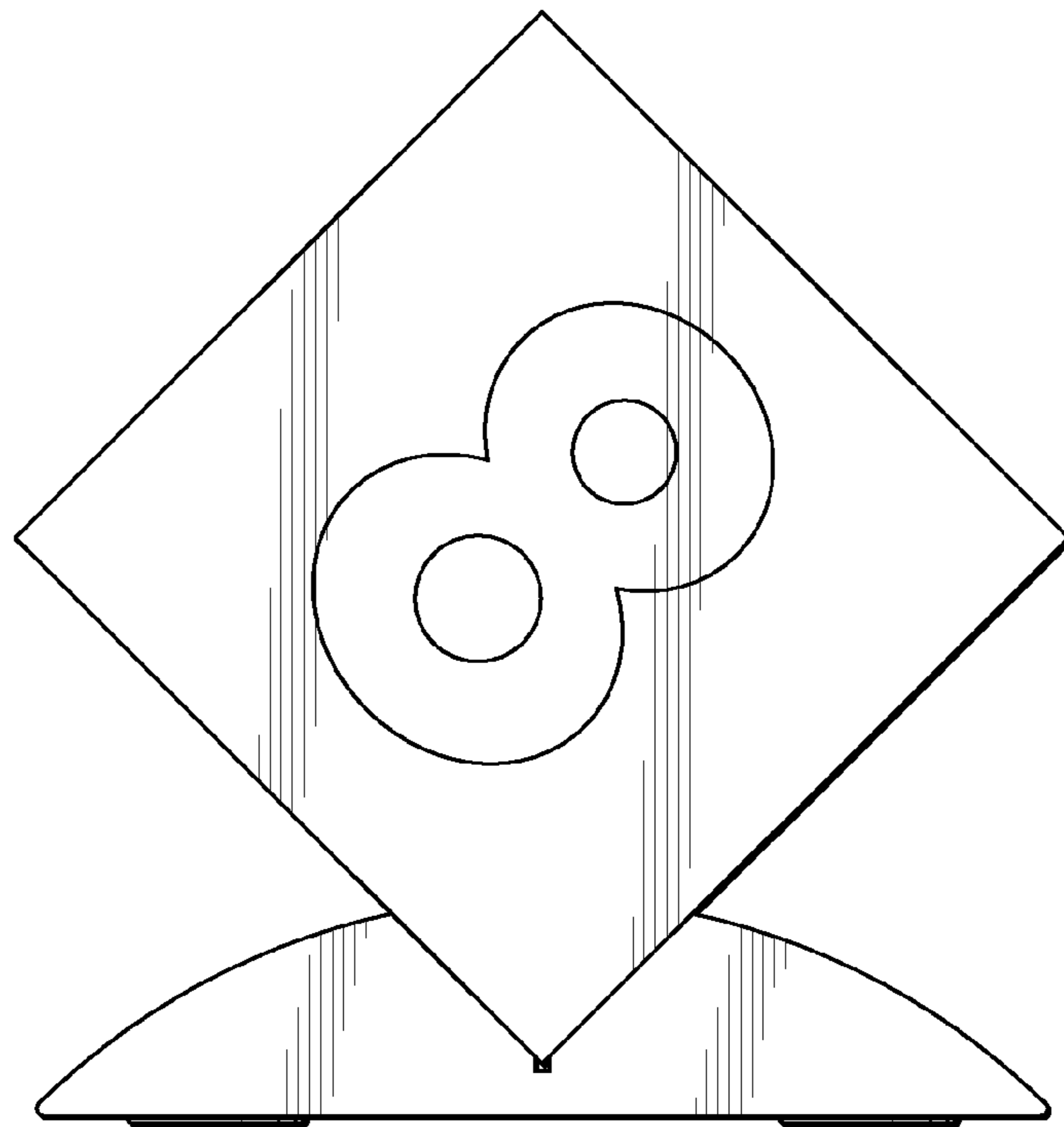


FIG. 11

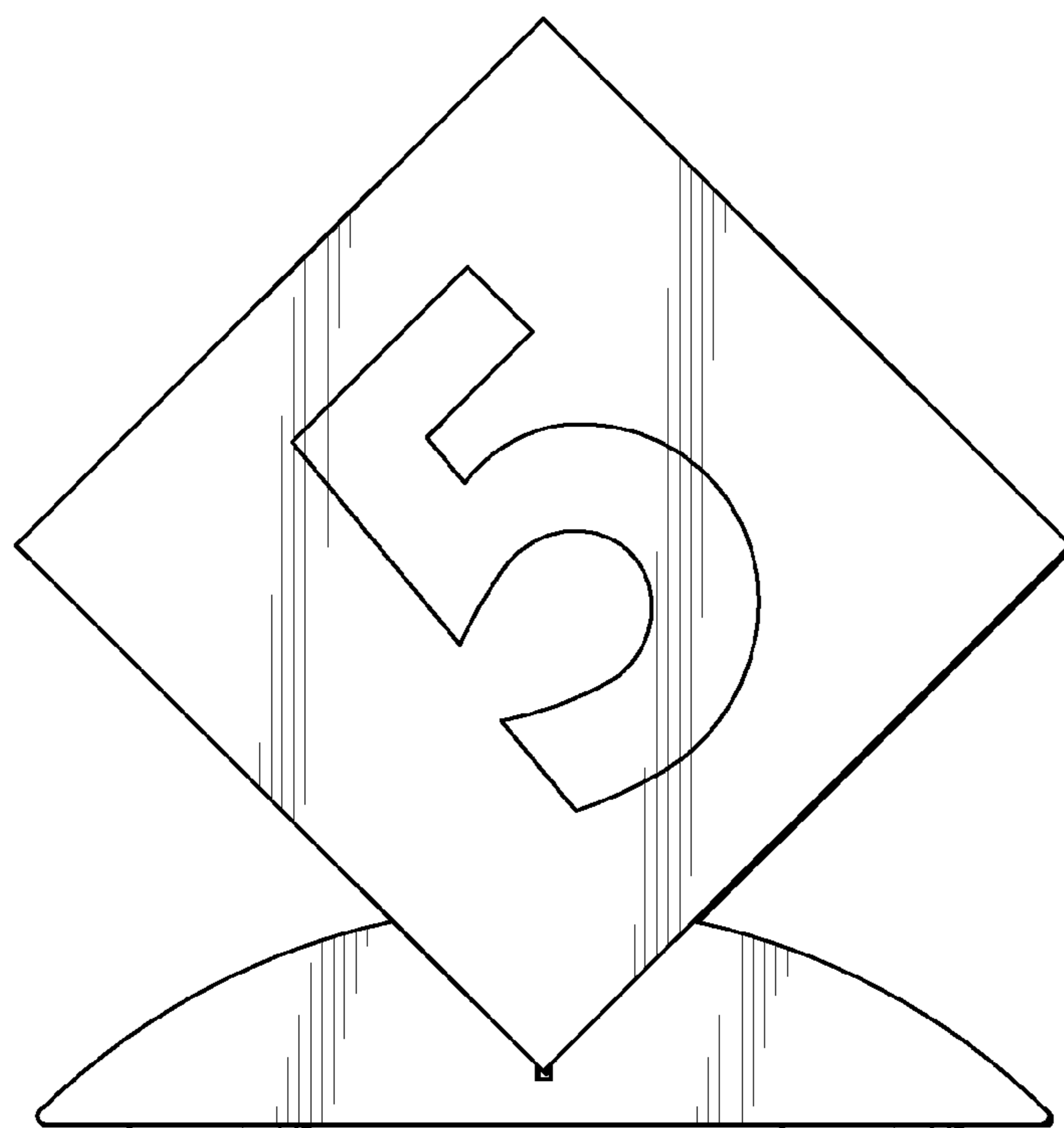


FIG. 12

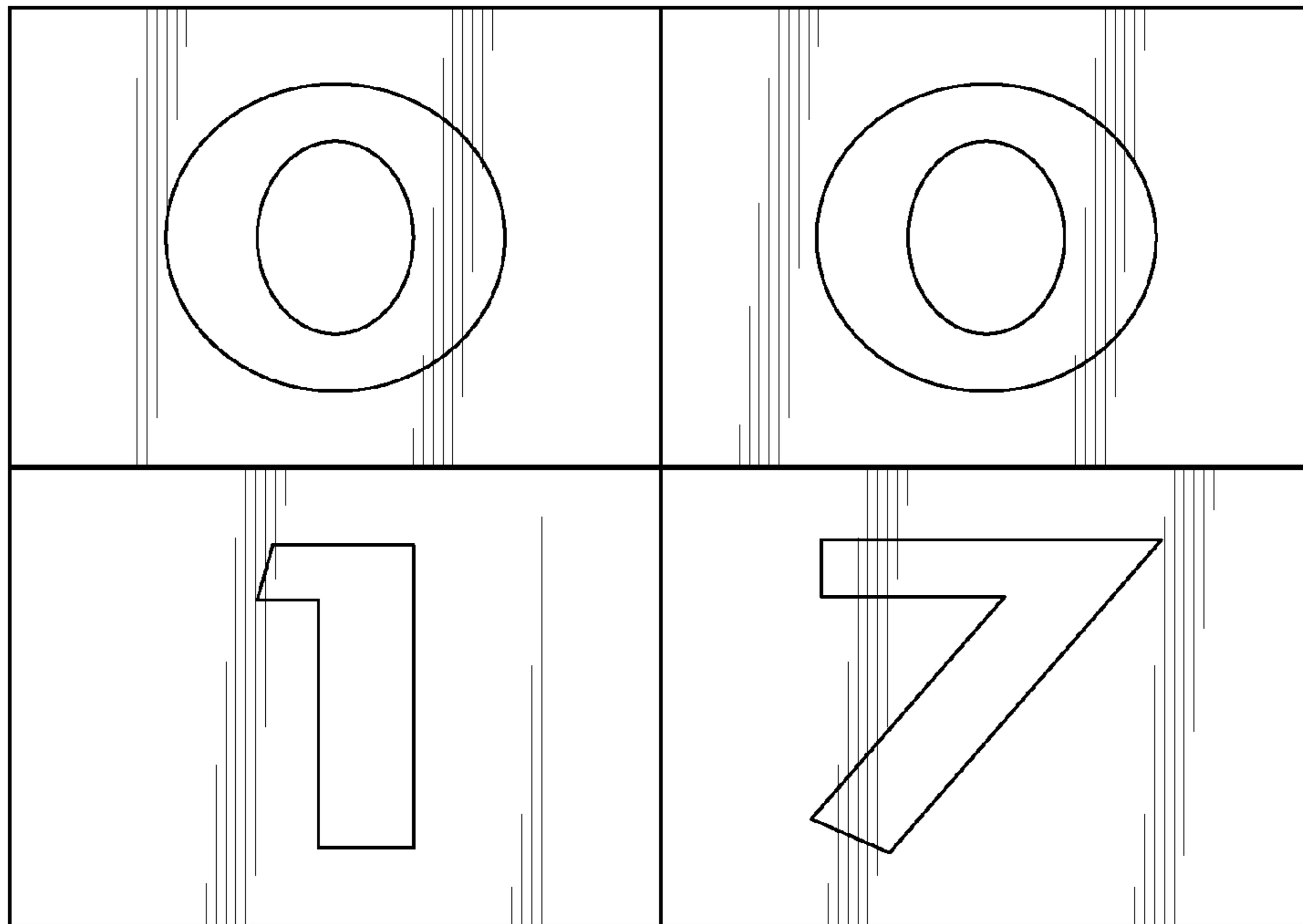


FIG. 13

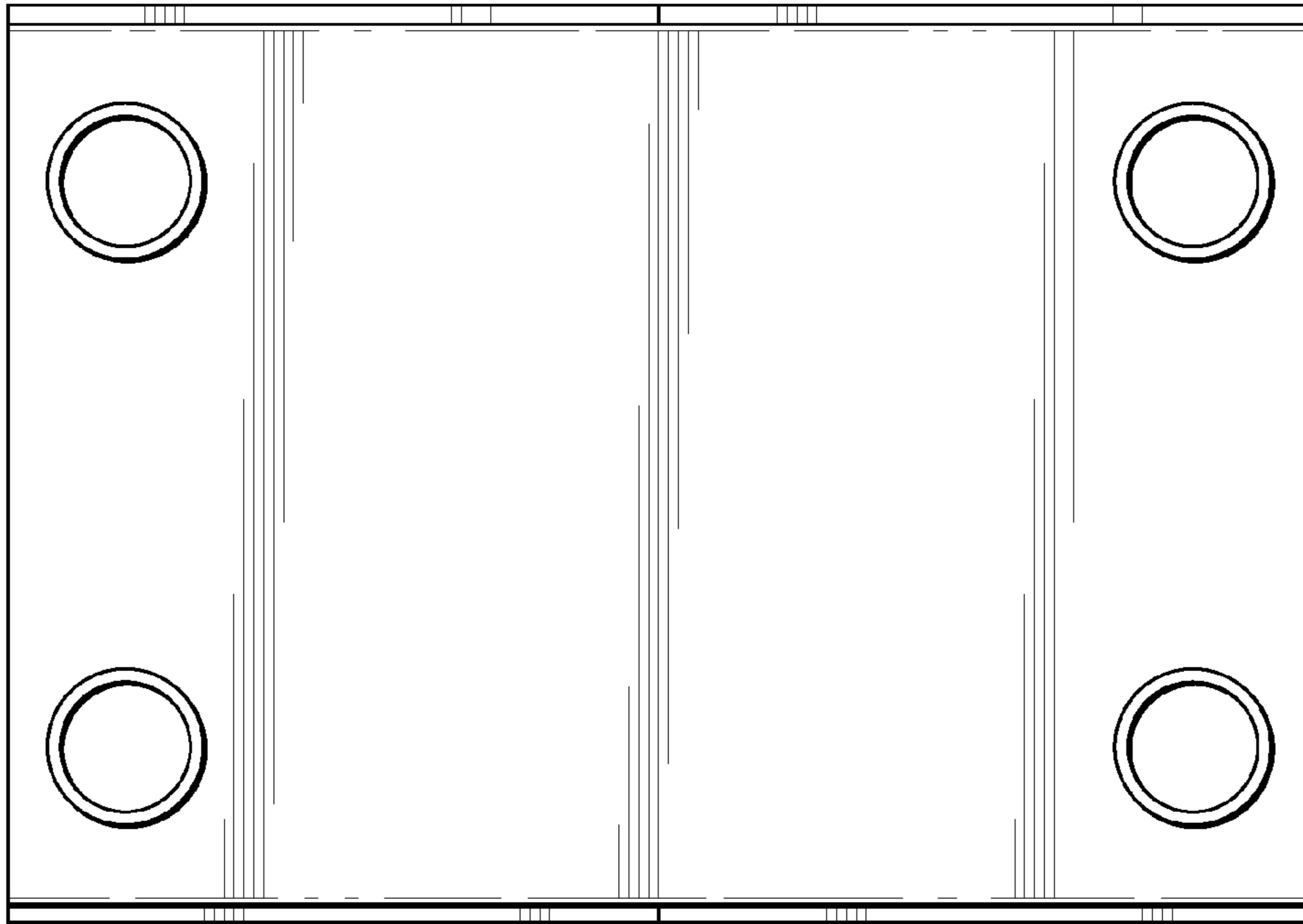


FIG. 14

UNITED STATES PATENT AND TRADEMARK OFFICE
CERTIFICATE OF CORRECTION

PATENT NO. : D684,625 S
APPLICATION NO. : 29/418584
DATED : June 18, 2013
INVENTOR(S) : André

Page 1 of 1

It is certified that error appears in the above-identified patent and that said Letters Patent is hereby corrected as shown below:

Title page, (73) Assignee: "**Interned Asia Limited,**" should read --**Intermed Asia Limited,--**

Signed and Sealed this
Twenty-ninth Day of October, 2013



Teresa Stanek Rea
Deputy Director of the United States Patent and Trademark Office