



US00D684624S

(12) **United States Design Patent**
Graham

(10) **Patent No.:** **US D684,624 S**

(45) **Date of Patent:** **** Jun. 18, 2013**

(54) **GUITAR NECK**

(76) Inventor: **Jan Graham**, Shelby Township, MI
(US)

(**) Term: **14 Years**

(21) Appl. No.: **29/380,169**

(22) Filed: **Dec. 1, 2010**

(51) **LOC (9) Cl.** **17-03**

(52) **U.S. Cl.**
USPC **D17/20**

(58) **Field of Classification Search**
USPC D17/14, 15, 18-20; 84/267-269,
84/290-292; D21/405

See application file for complete search history.

(56) **References Cited**

U.S. PATENT DOCUMENTS

D300,537 S *	4/1989	Powers et al.	D17/20
D313,609 S *	1/1991	Mulroy, Jr.	D17/20
D314,784 S *	2/1991	Powers	D17/20
D342,964 S *	1/1994	Harriott	D17/20
D387,371 S *	12/1997	Riboloff	D17/20
D404,061 S *	1/1999	Roth	D17/20
D516,115 S *	2/2006	Rose	D17/20
D516,609 S *	3/2006	Rose	D17/20
D555,191 S *	11/2007	Peavey	D17/20

D572,302 S *	7/2008	Peavey	D17/20
D616,921 S *	6/2010	Ierymenko et al.	D17/20
D626,584 S *	11/2010	Jacob	D17/20
D643,460 S *	8/2011	Barkdull	D17/20
D649,585 S *	11/2011	McCarthy	D17/20

* cited by examiner

Primary Examiner — Ian Simmons

Assistant Examiner — Carissa C Fitts

(74) *Attorney, Agent, or Firm* — The Weintraub Group,
P.L.C.

(57) **CLAIM**

The ornamental design for a guitar neck, as shown and described.

DESCRIPTION

FIG. 1 is a perspective view of a guitar showing my new design;

FIG. 2 is a top plan view thereof first end elevational view thereof;

FIG. 3 is a first side elevational view thereof;

FIG. 4 is a bottom plan view thereof;

FIG. 5 is a second side elevational view as seen from the side opposite that of FIG. 3;

FIG. 6 is a first end elevation view; and,

FIG. 7 is a second end elevation view.

1 Claim, 2 Drawing Sheets

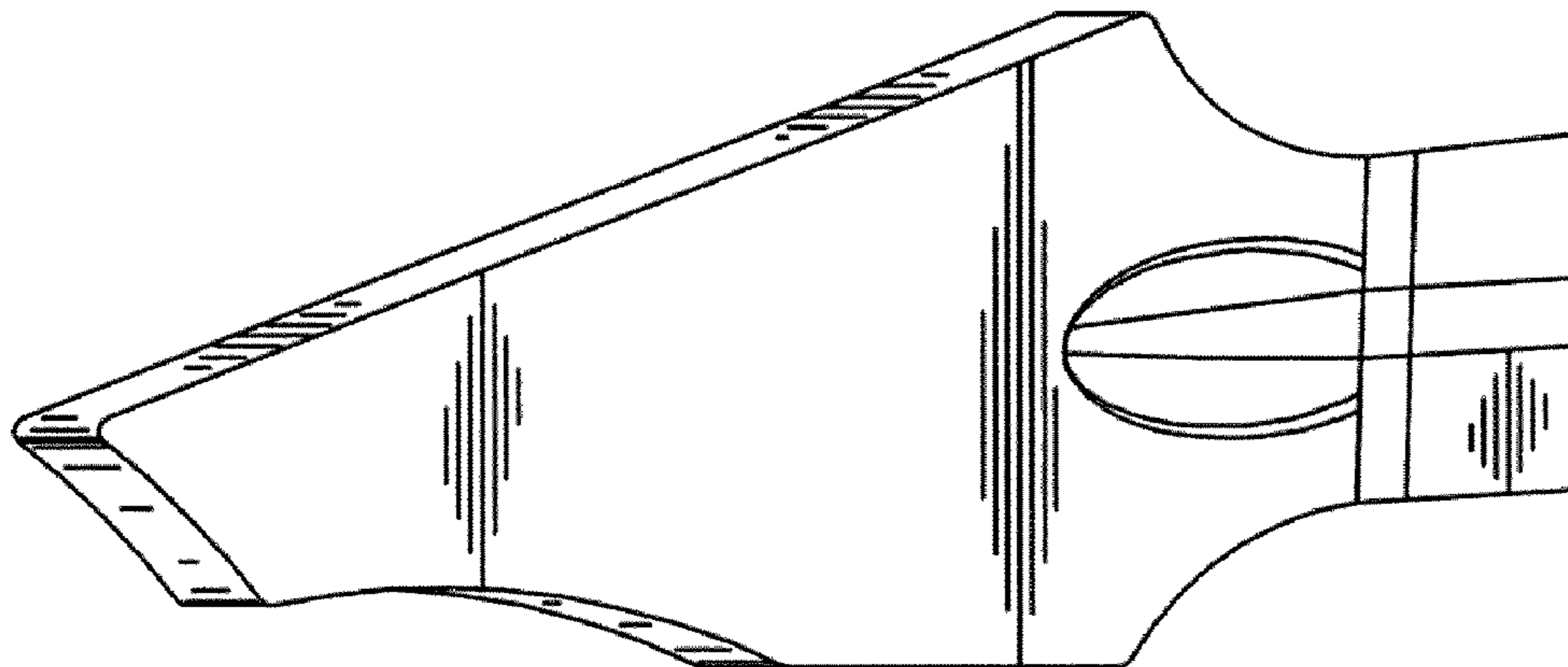


FIG 1

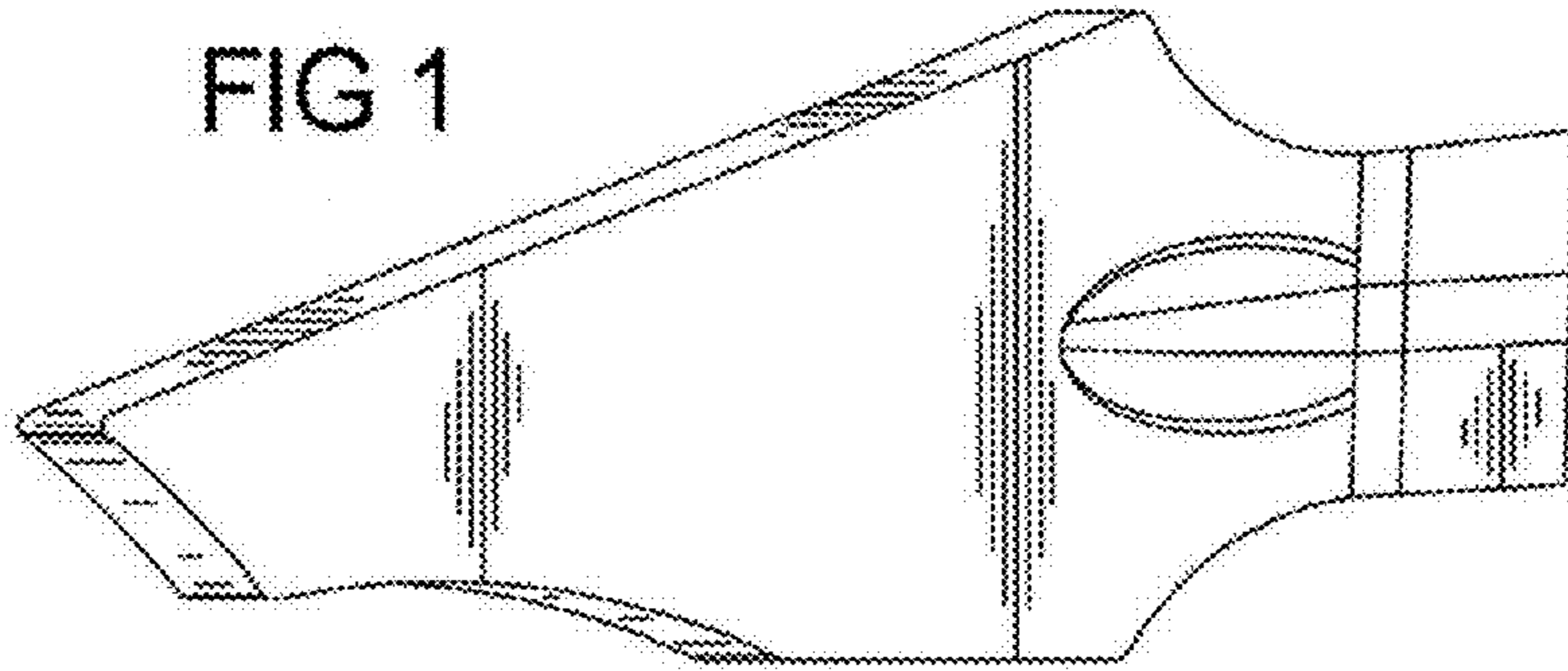


FIG 2

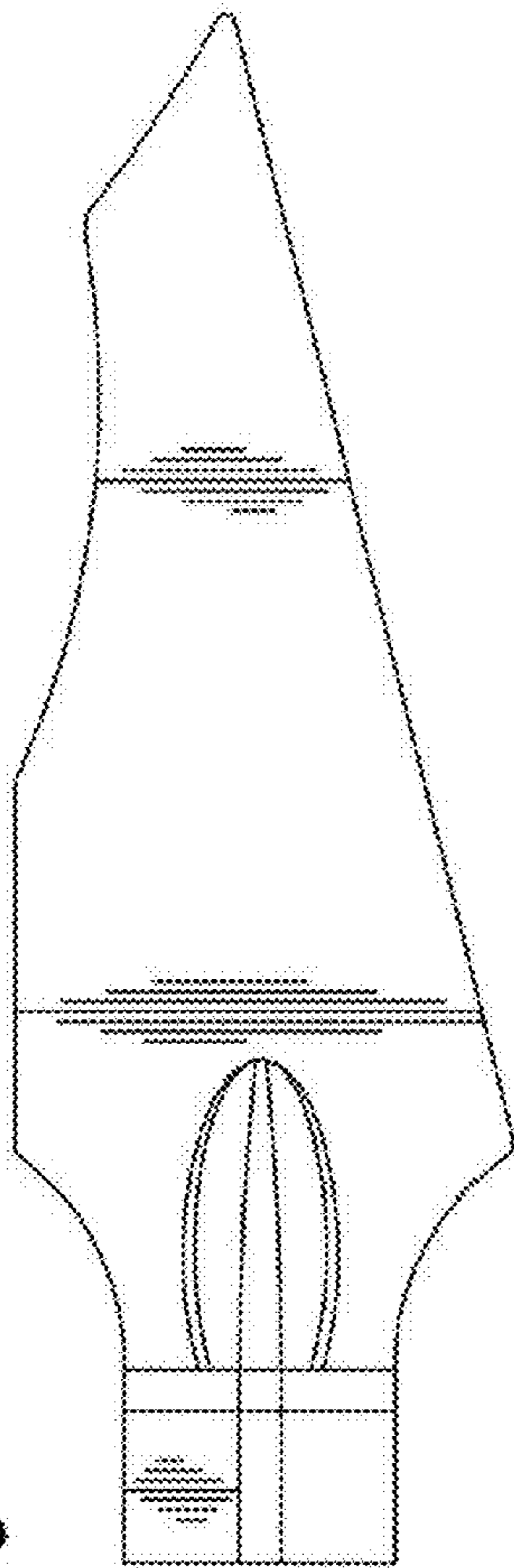
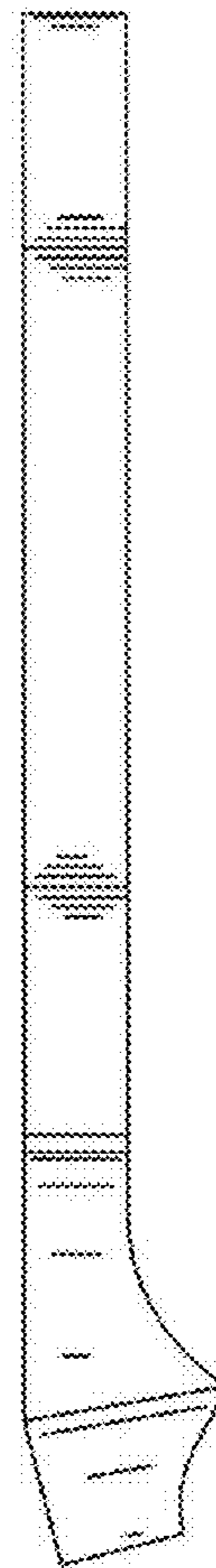


FIG 3



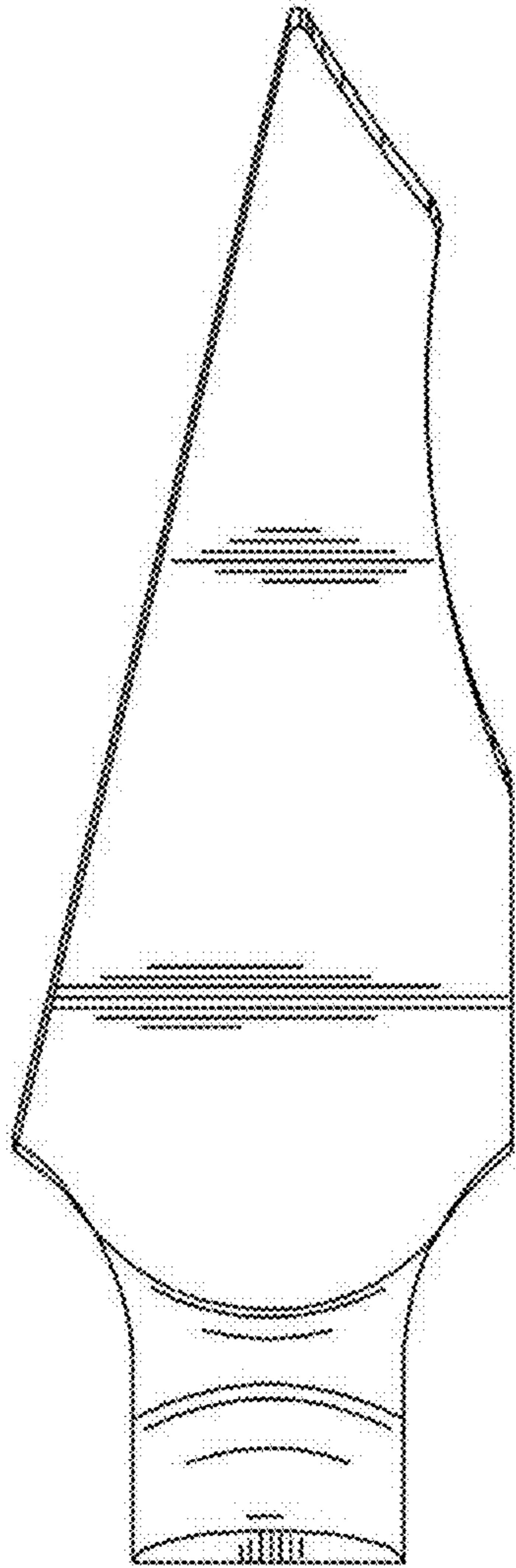


FIG 4

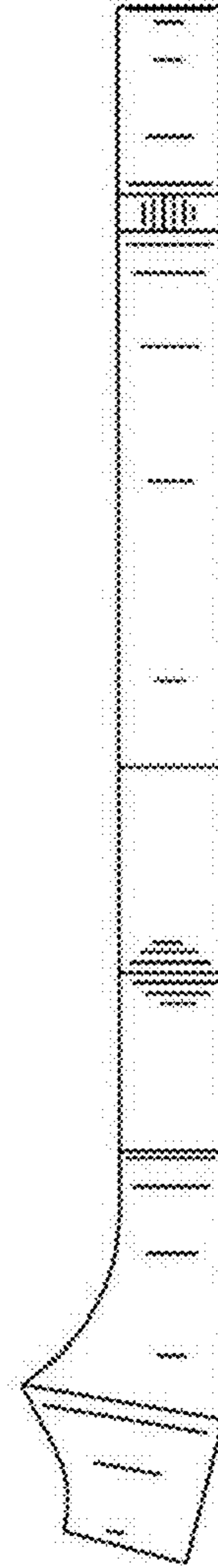


FIG 5

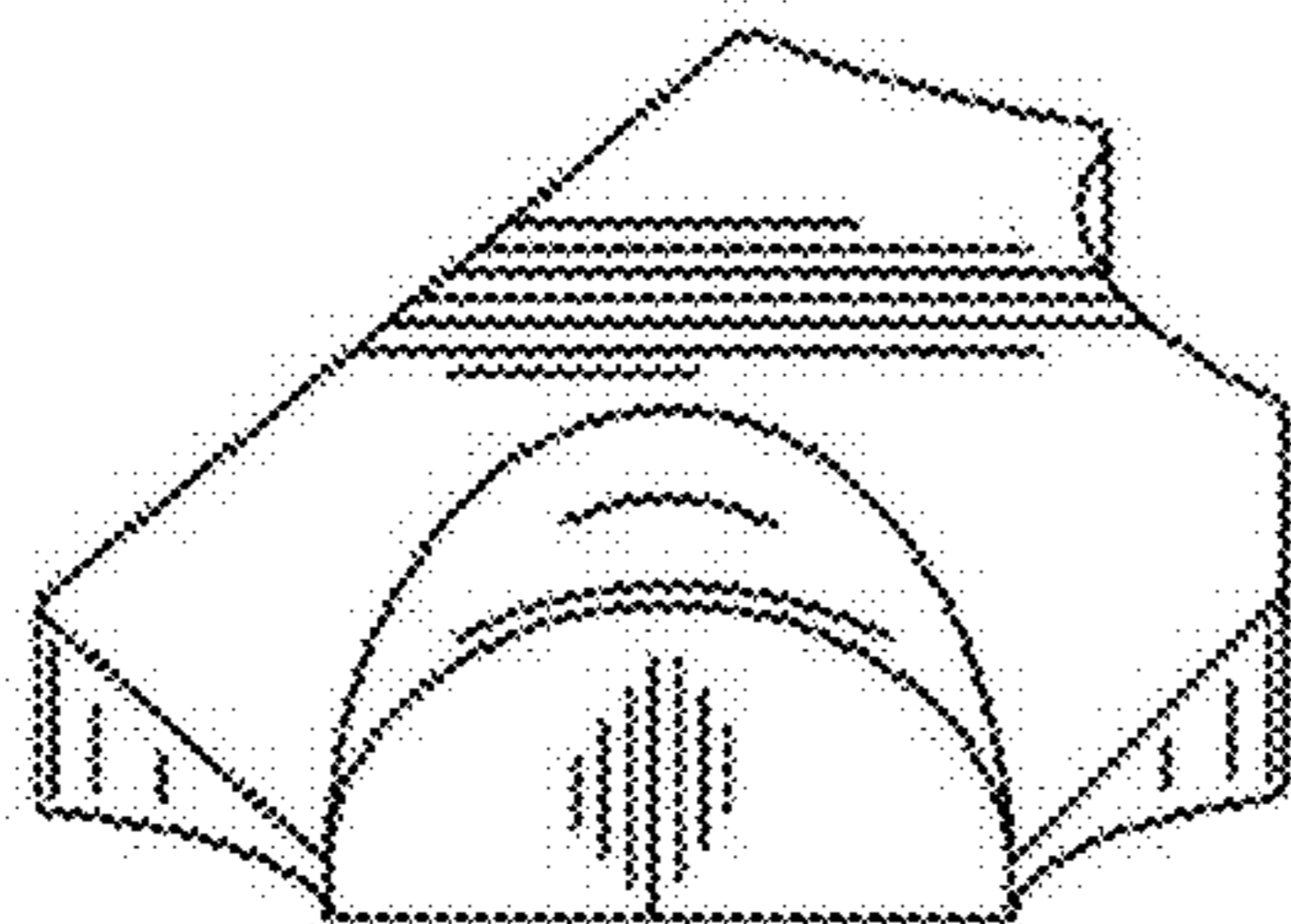


FIG 6

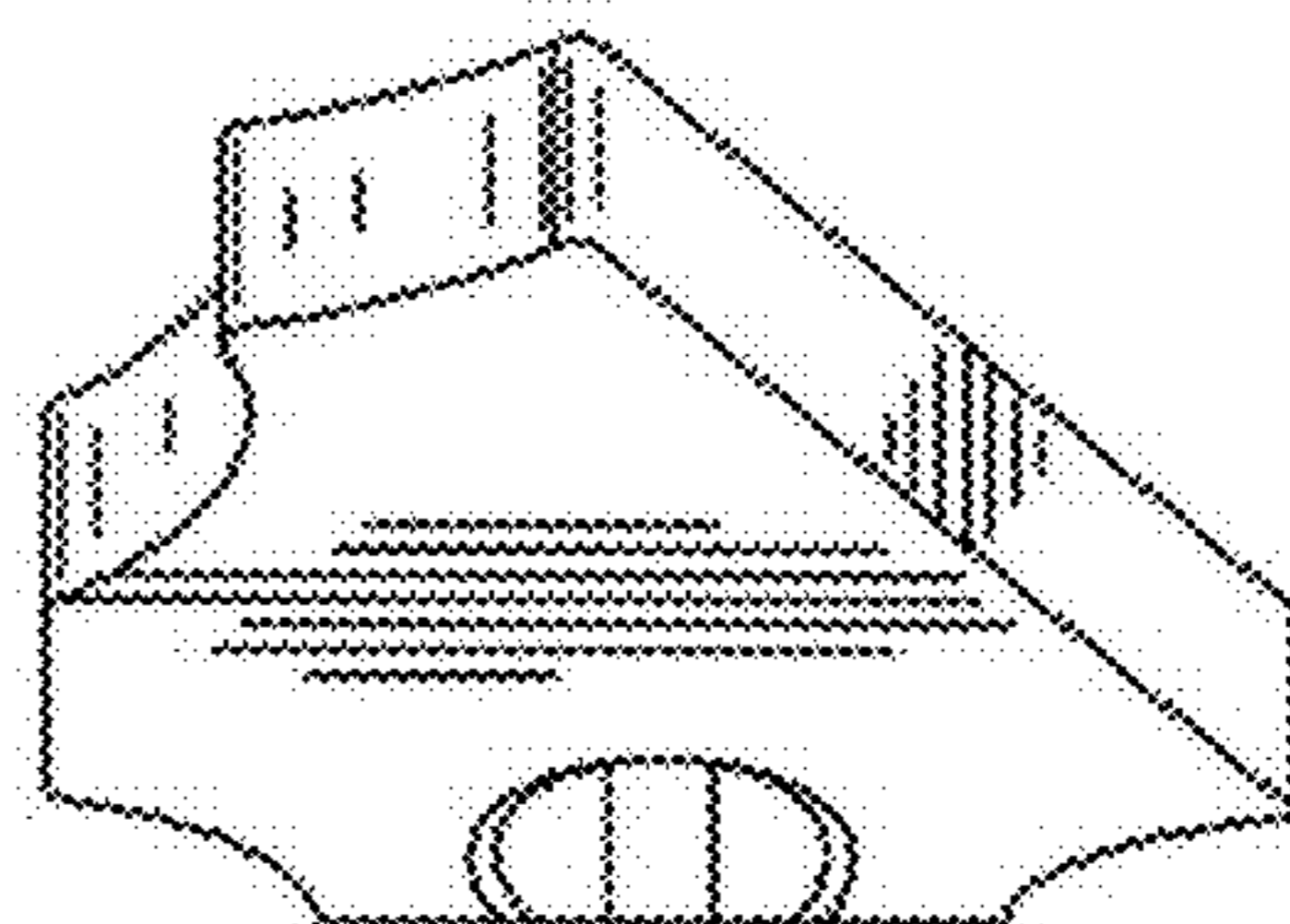


FIG 7