



US00D684622S

(12) **United States Design Patent**  
**Cho**

(10) **Patent No.:** **US D684,622 S**  
(45) **Date of Patent:** **\*\* Jun. 18, 2013**

(54) **GLASSES FOR WATCHING 3D IMAGE**

(71) Applicant: **Samsung Electronics Co., Ltd.,**  
Suwon-Si (KR)

(72) Inventor: **Ju-Won Cho**, Seoul (KR)

(73) Assignee: **Samsung Electronics Co., Ltd.,**  
Suwon-Si (KR)

(\*\*) Term: **14 Years**

(21) Appl. No.: **29/437,310**

(22) Filed: **Nov. 15, 2012**

(30) **Foreign Application Priority Data**

May 24, 2012 (KR) ..... 30-2012-0025750

(51) **LOC (9) Cl.** ..... **16-06**

(52) **U.S. Cl.**  
USPC ..... **D16/309**; D16/306; D16/336

(58) **Field of Classification Search**  
USPC ..... D16/101, 300-342, 900; D29/109-110;  
D24/110.2; 351/41, 44, 51-52, 62, 158, 92,  
351/103-123, 140, 153, 45-46; 2/426-432,  
2/447-449, 441, 434-437, 13, 15; D21/483,  
D21/659-661

See application file for complete search history.

(56) **References Cited**

**U.S. PATENT DOCUMENTS**

3,944,344 A \* 3/1976 Wichers ..... 351/41  
4,240,718 A \* 12/1980 Wichers ..... 351/62  
D431,042 S \* 9/2000 Lin ..... D16/304  
D462,979 S \* 9/2002 Fairclough ..... D16/311  
D602,064 S \* 10/2009 Mitsui et al. .... D16/300  
D611,086 S \* 3/2010 Meng-Suen ..... D16/309  
D624,111 S \* 9/2010 Knoop ..... D16/300  
D636,809 S 4/2011 Hwang et al.  
D636,810 S 4/2011 Hwang et al.  
D638,462 S \* 5/2011 Bumgardner et al. .... D16/309  
D647,123 S \* 10/2011 Cho ..... D16/309

D659,740 S \* 5/2012 Olsson et al. .... D16/300  
D661,334 S 6/2012 Cho et al.  
D664,587 S \* 7/2012 Cho et al. .... D16/309  
D666,287 S \* 8/2012 Quinlan ..... D24/106

**FOREIGN PATENT DOCUMENTS**

KR 300282440 10/2001  
KR 300282441 10/2001  
KR 300587691 2/2011  
KR 300587715 2/2011  
KR 300611725 9/2011  
KR 300611754 9/2011  
KR 300614318 9/2011

**OTHER PUBLICATIONS**

U.S. Appl. No. 29/437,321, Applicant Ju-Won Cho, filed Nov. 15, 2012, title Glasses for Watching 3D Image.  
U.S. Appl. No. 29/428,392, Applicant Ju-Won Cho, filed Jul. 30, 2012, title Glasses for Watching 3D Image.

\* cited by examiner

*Primary Examiner* — Raphael Barkai

(74) *Attorney, Agent, or Firm* — Wood, Herron & Evans, LLP

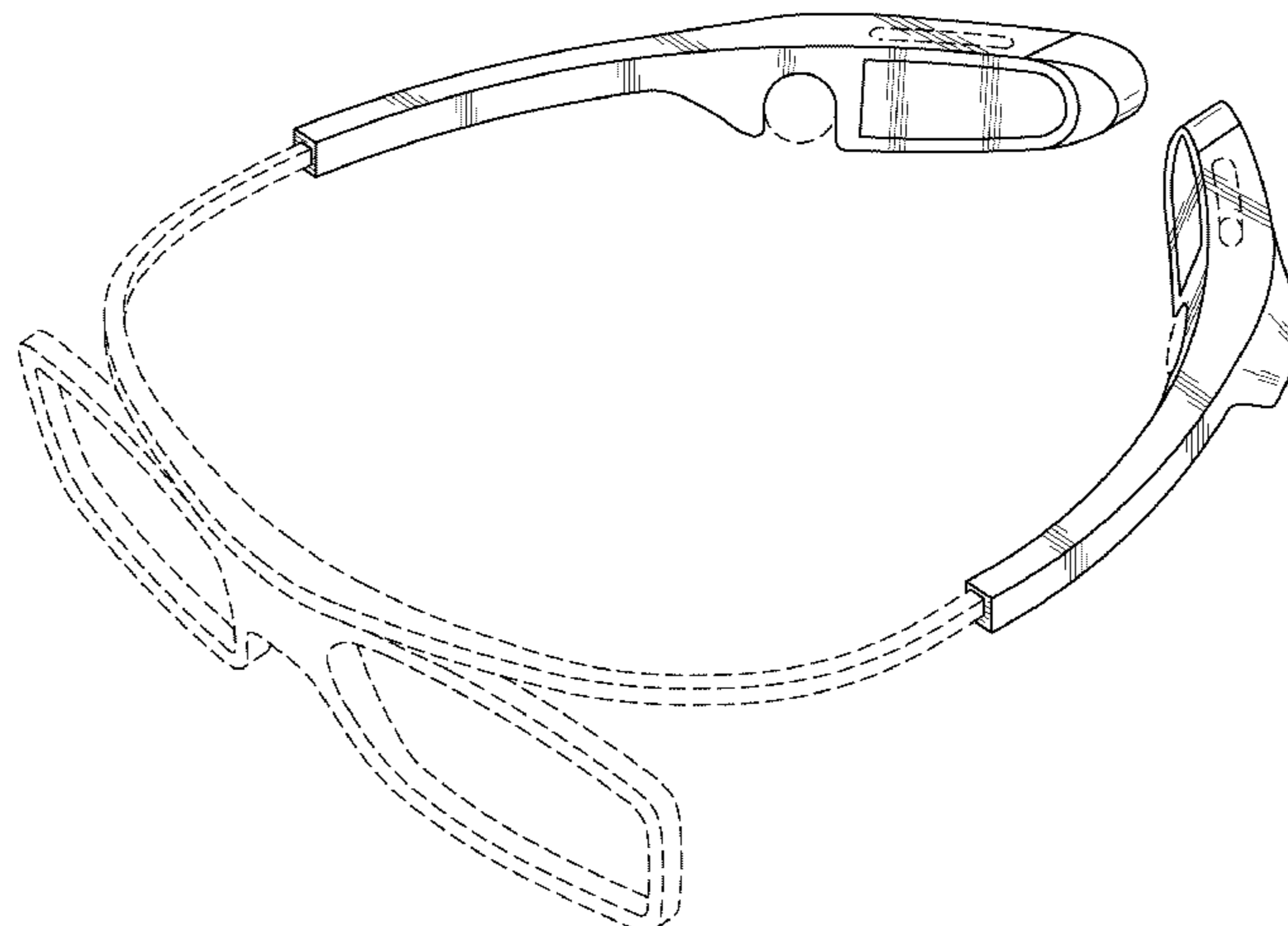
(57) **CLAIM**

The ornamental design for glasses for watching 3D image, as shown and described.

**DESCRIPTION**

FIG. 1 is a top front perspective view of glasses for watching 3D image showing my new design;  
FIG. 2 is a front elevational view thereof;  
FIG. 3 is a rear elevational view thereof;  
FIG. 4 is a left side elevational view thereof;  
FIG. 5 is a right side elevational view thereof;  
FIG. 6 is a top plan view thereof; and,  
FIG. 7 is a bottom plan view thereof.  
The broken lines depict environmental subject matter only and form no part of the claimed design.

**1 Claim, 4 Drawing Sheets**



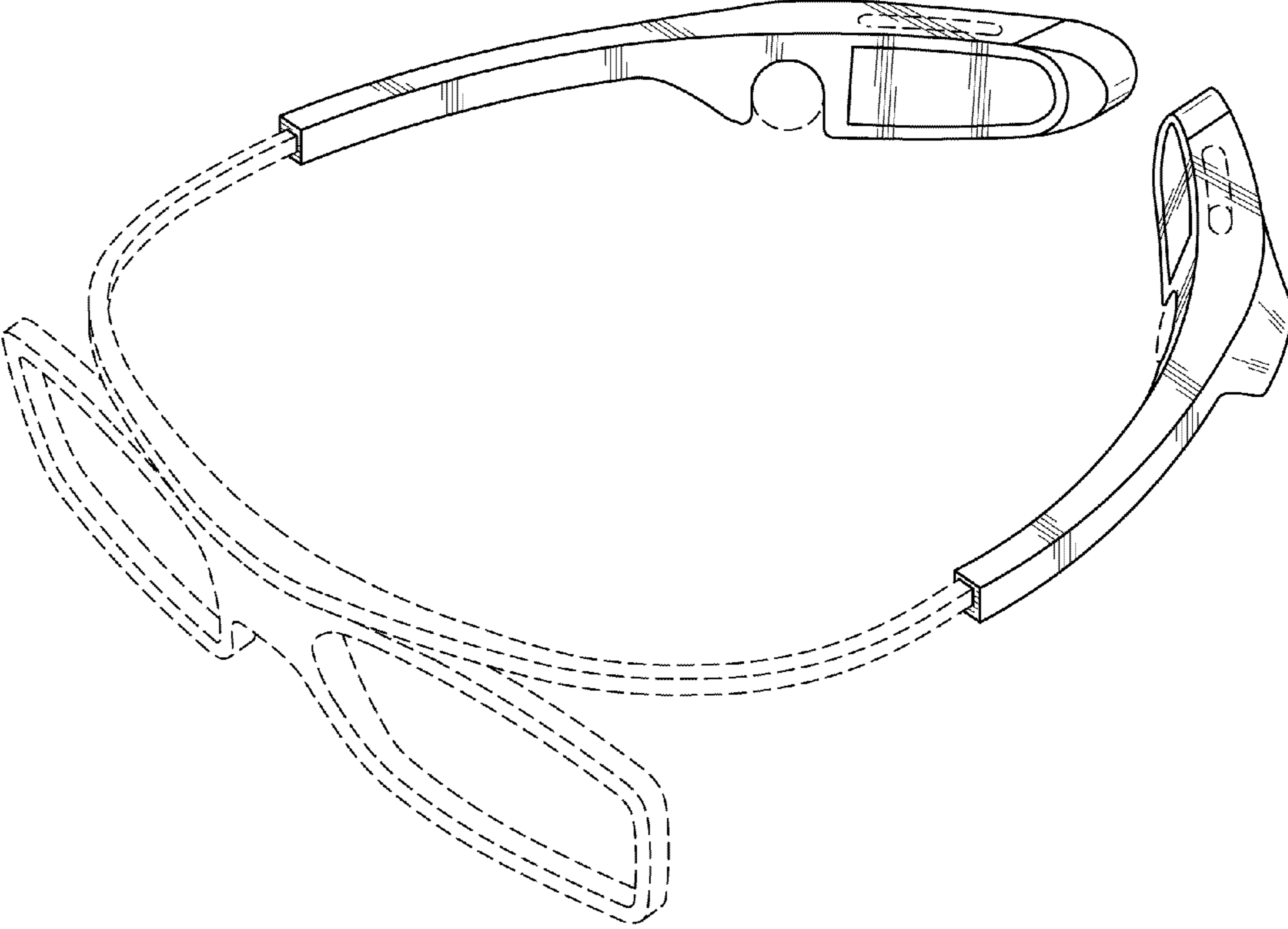


FIG.1

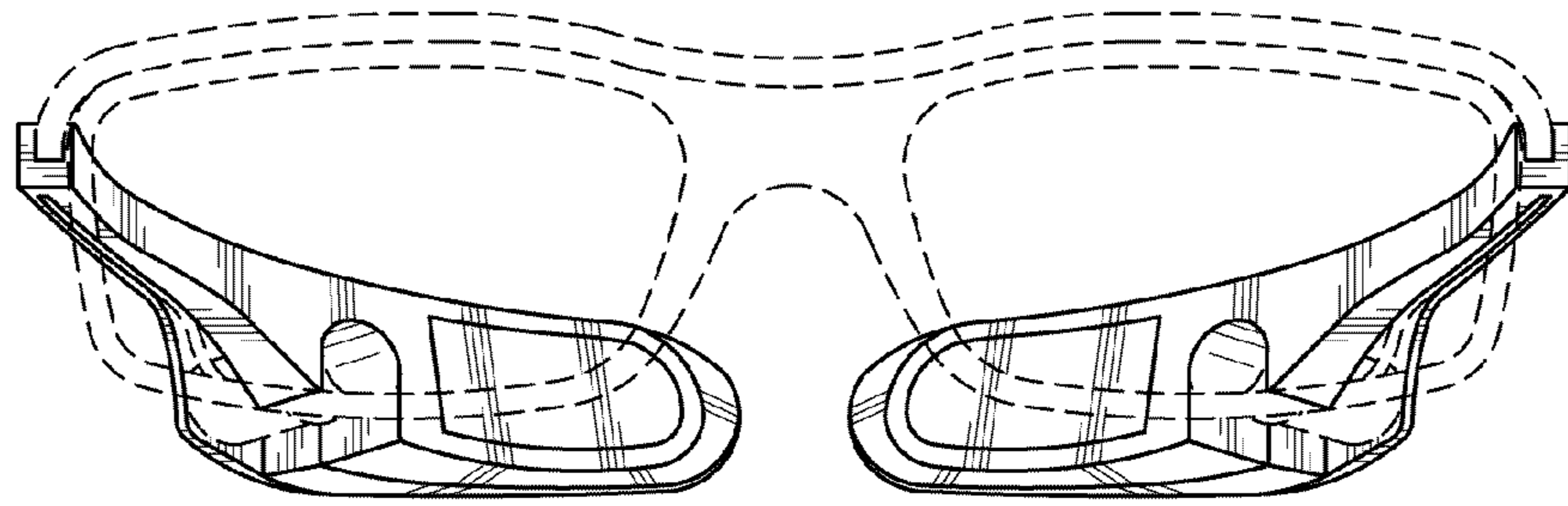


FIG. 2

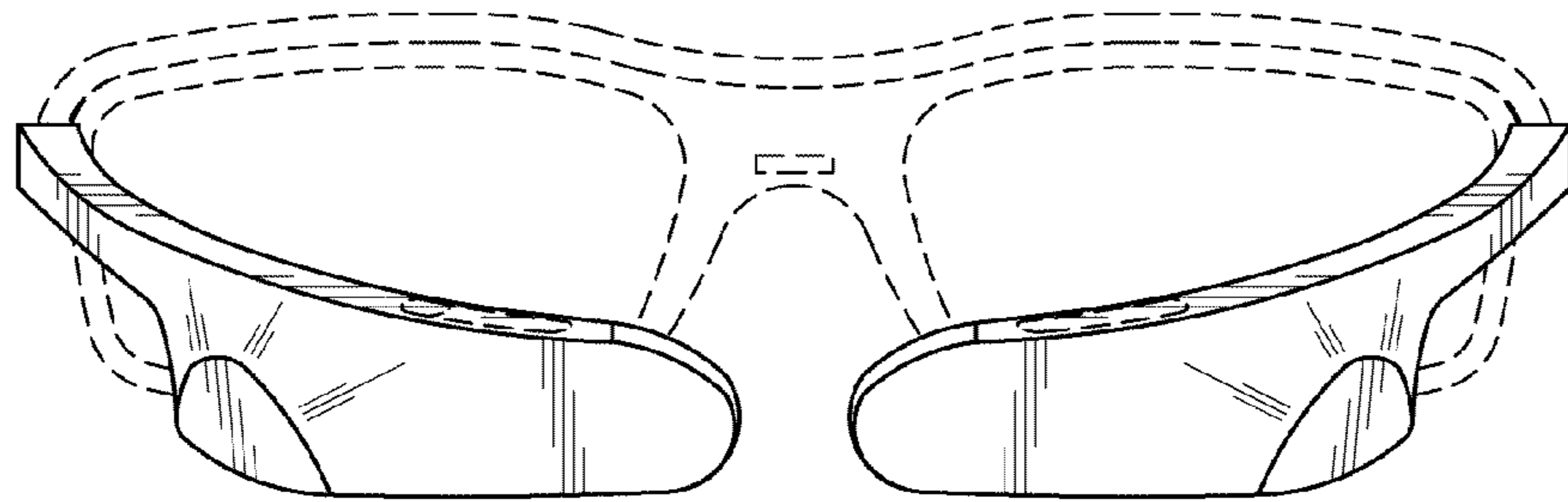


FIG. 3

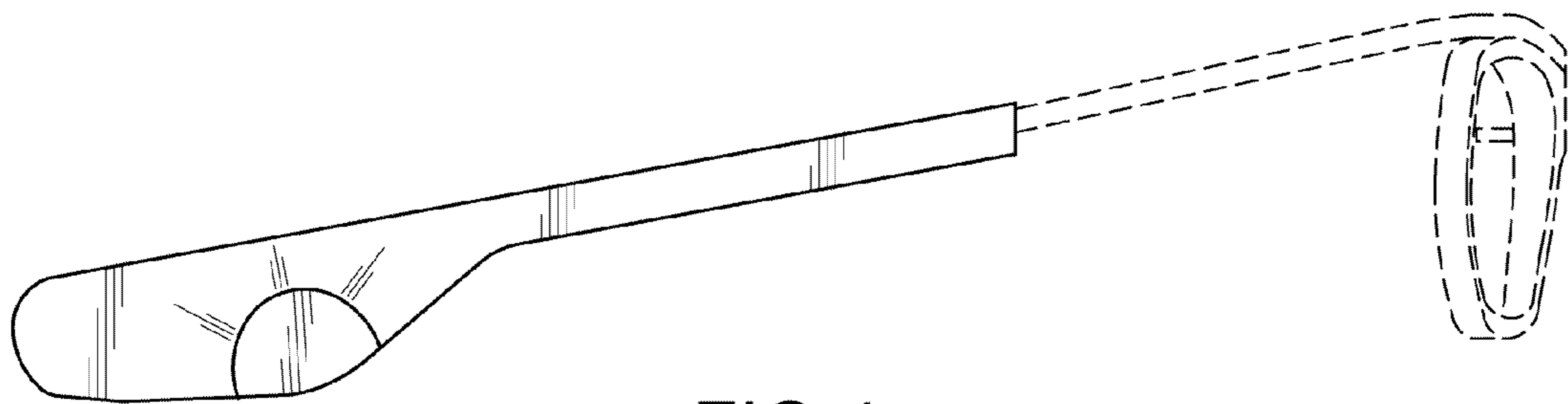


FIG. 4

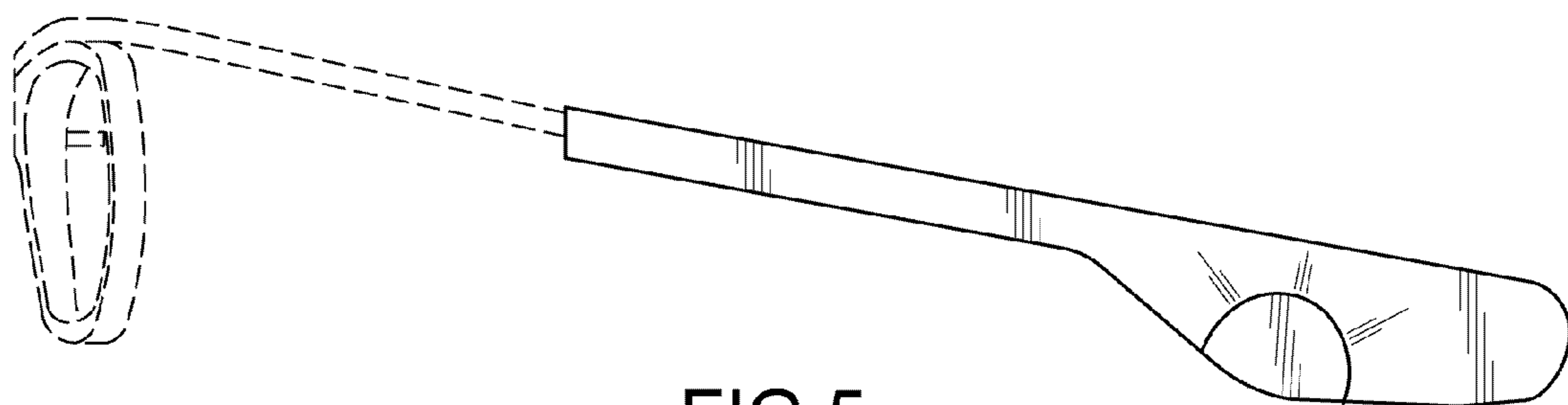


FIG. 5

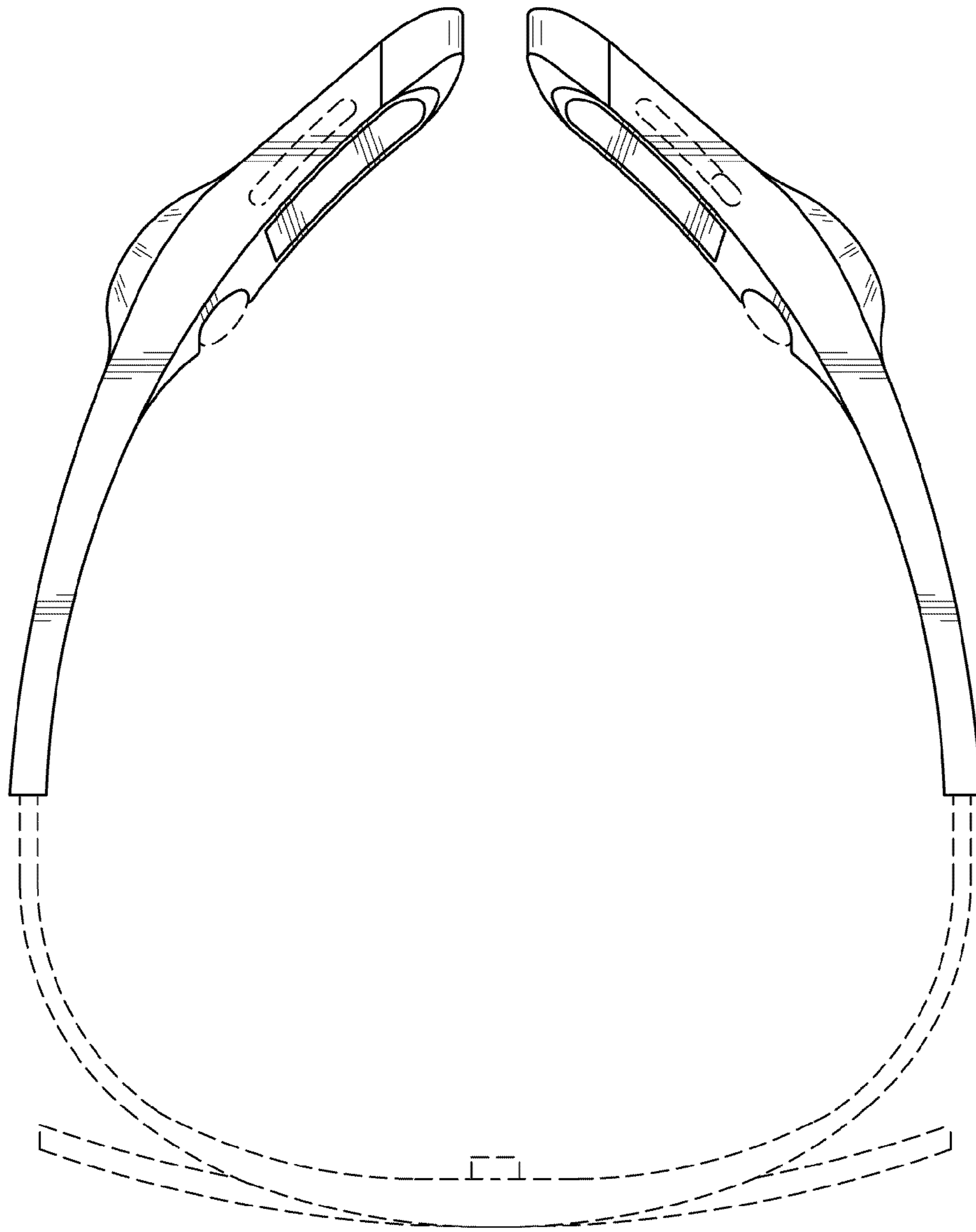


FIG.6

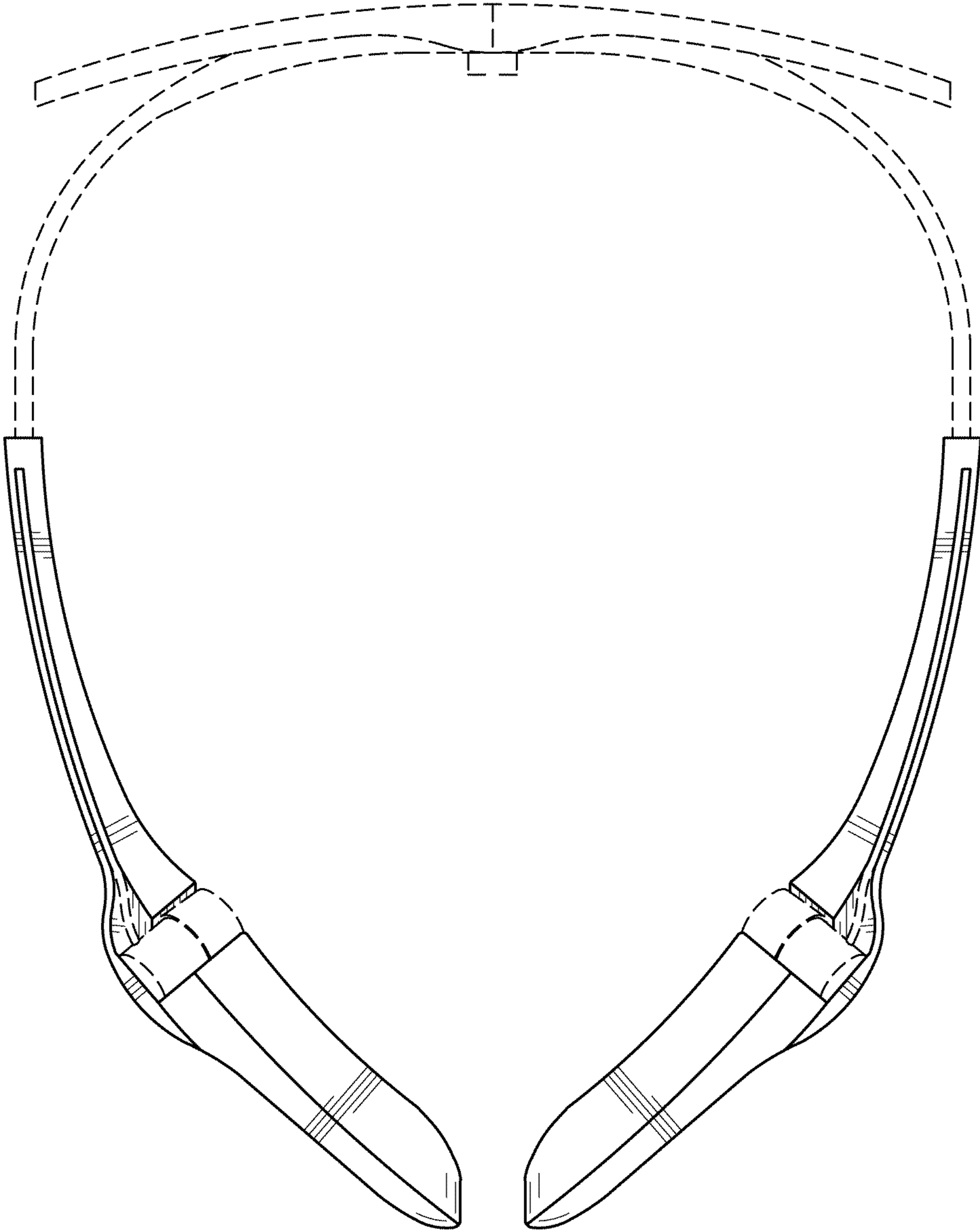


FIG.7