



US00D684620S

(12) **United States Design Patent**
Kim

(10) **Patent No.:** **US D684,620 S**

(45) **Date of Patent:** **** Jun. 18, 2013**

(54) **INTERCHANGEABLE LENS FOR CAMERA**

(75) Inventor: **Tae-Sung Kim**, Changwon-si (KR)

(73) Assignee: **Samyang Optics Co., Ltd.**, Masan,
Gyeongsangnam-do (KR)

(**) Term: **14 Years**

(21) Appl. No.: **29/422,219**

(22) Filed: **May 17, 2012**

(30) **Foreign Application Priority Data**

Apr. 4, 2012 (KR) 30-2012-0015884

(51) **LOC (9) Cl.** **16-05**

(52) **U.S. Cl.**
USPC **D16/219**

(58) **Field of Classification Search**
USPC D16/134, 136, 200, 202, 209, 218,
D16/219; 348/373, 374; 359/600, 826-828;
396/529-535, 540, 541
See application file for complete search history.

(56) **References Cited**

U.S. PATENT DOCUMENTS

4,118,713 A * 10/1978 Murakami et al. 396/529
4,357,090 A * 11/1982 Araki 396/529

D412,922 S * 8/1999 Sekine D16/134
D425,088 S * 5/2000 Watanabe D16/134
D552,147 S * 10/2007 Tajima D16/219
D562,863 S * 2/2008 Yasutomi D16/219

* cited by examiner

Primary Examiner — Adir Aronovich

(74) *Attorney, Agent, or Firm* — Lowe Hauptman Ham &
Berner LLP

(57) **CLAIM**

The ornamental design for an interchangeable lens for cam-
era, as shown and described.

DESCRIPTION

FIG. 1 is a perspective view of an interchangeable lens for
camera showing my new design;
FIG. 2 is a front elevational view thereof;
FIG. 3 is a rear elevational view thereof;
FIG. 4 is a left side elevational view thereof;
FIG. 5 is a right side elevational view thereof;
FIG. 6 is a top plan view thereof; and,
FIG. 7 is a bottom plan view thereof.

The broken lines showing in the drawings represent portions
of the interchangeable lens for camera that form no part of the
claimed design.

1 Claim, 7 Drawing Sheets

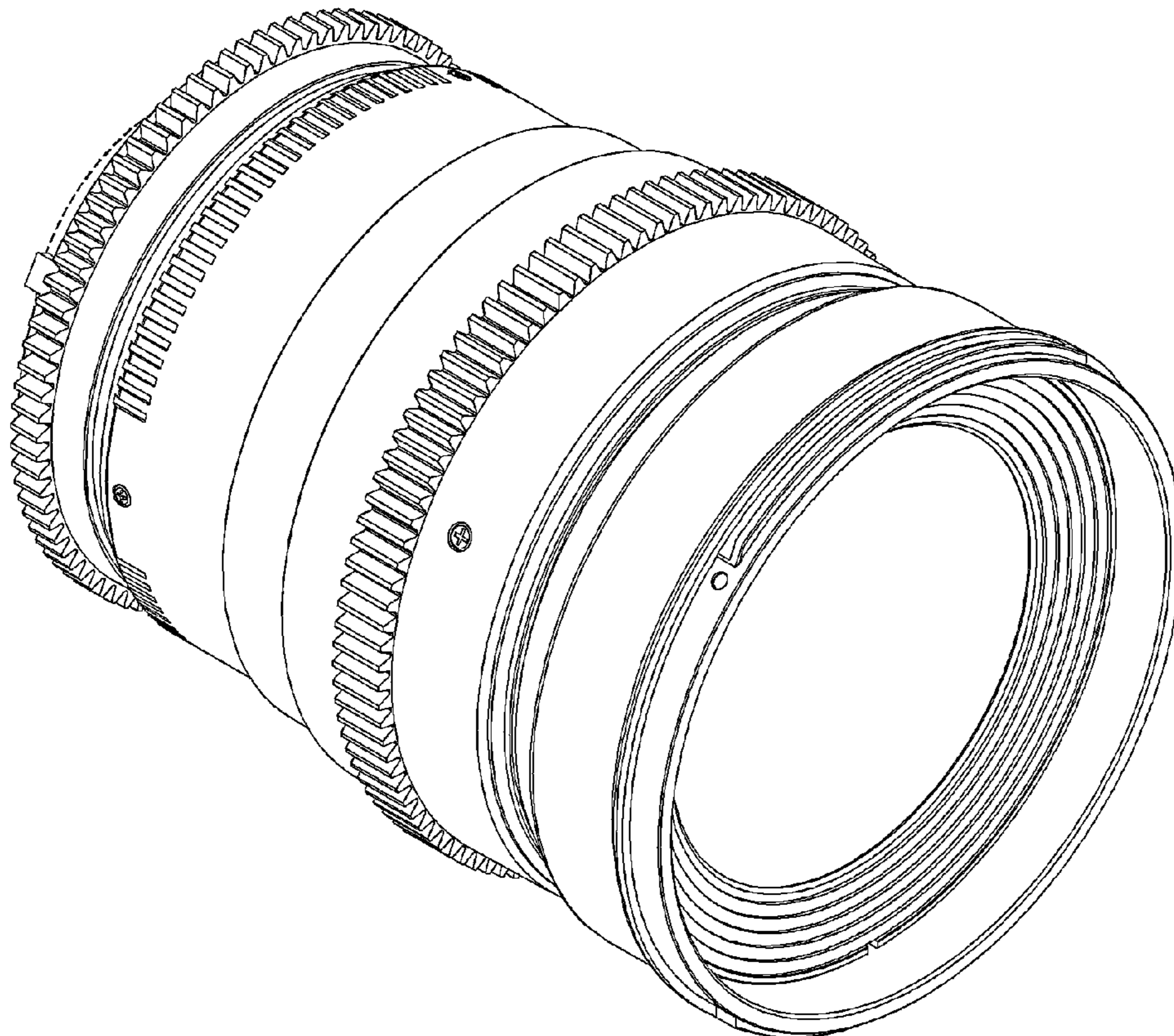


FIG. 1

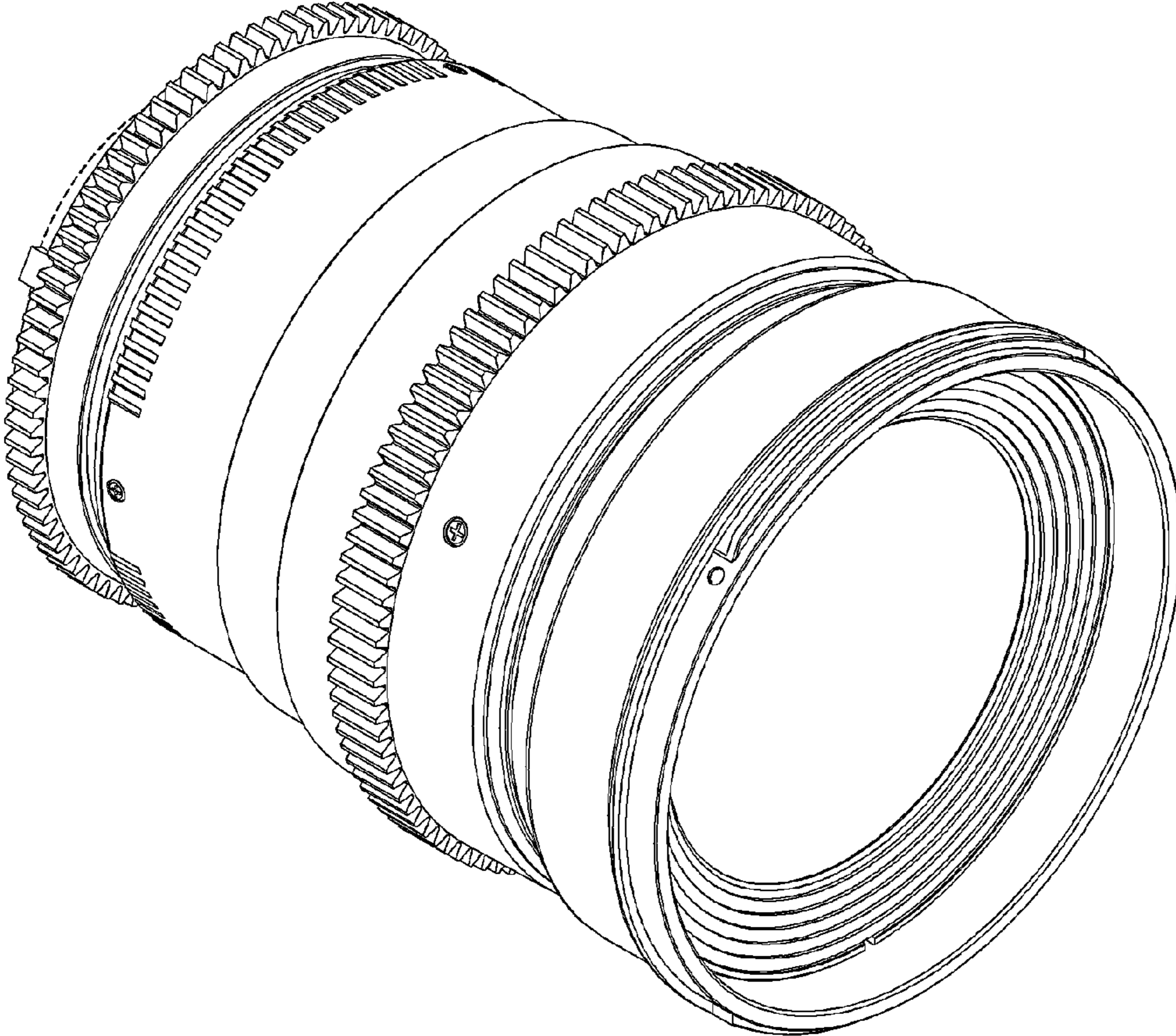


FIG. 2

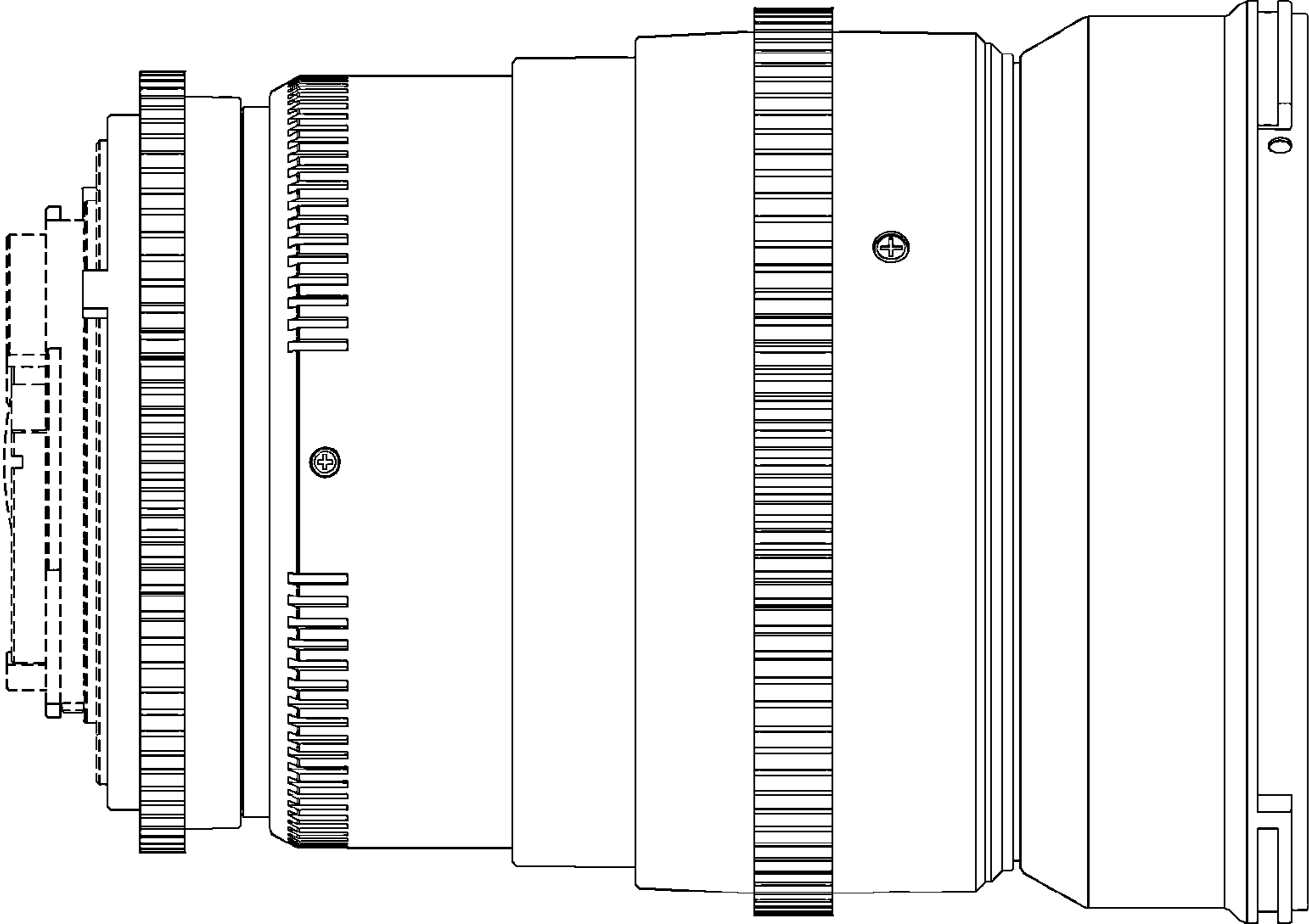


FIG. 3

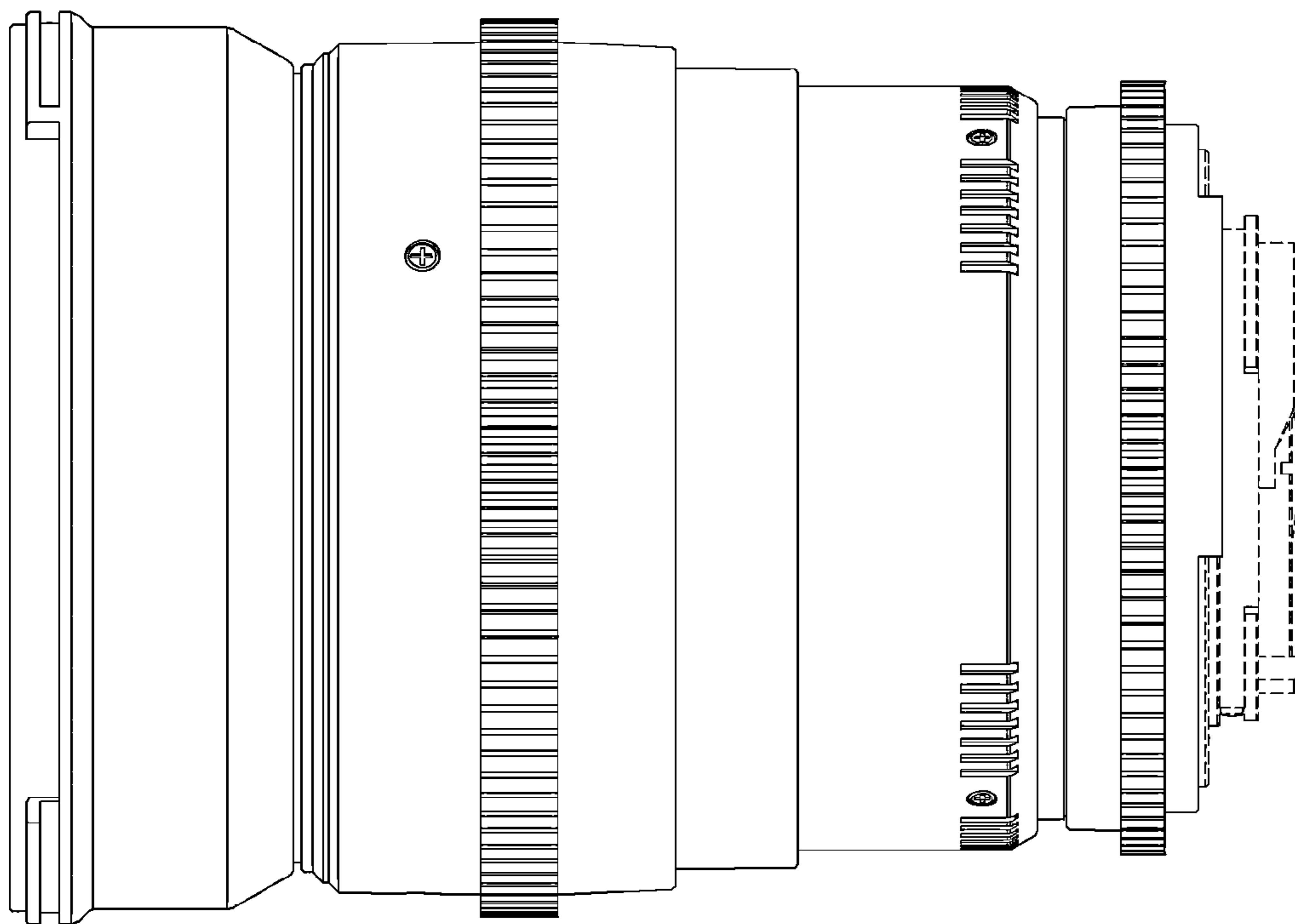


FIG. 4

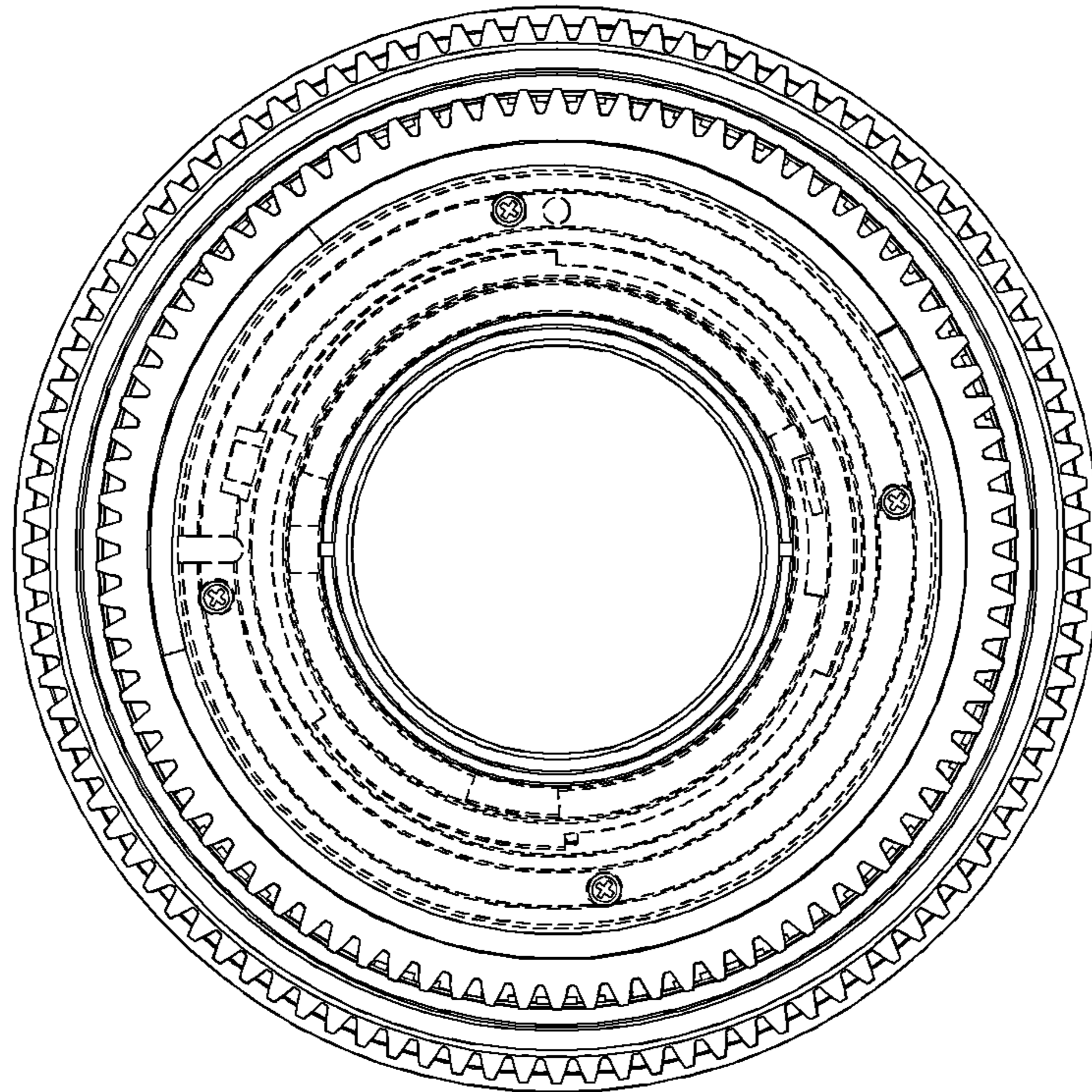


FIG. 5

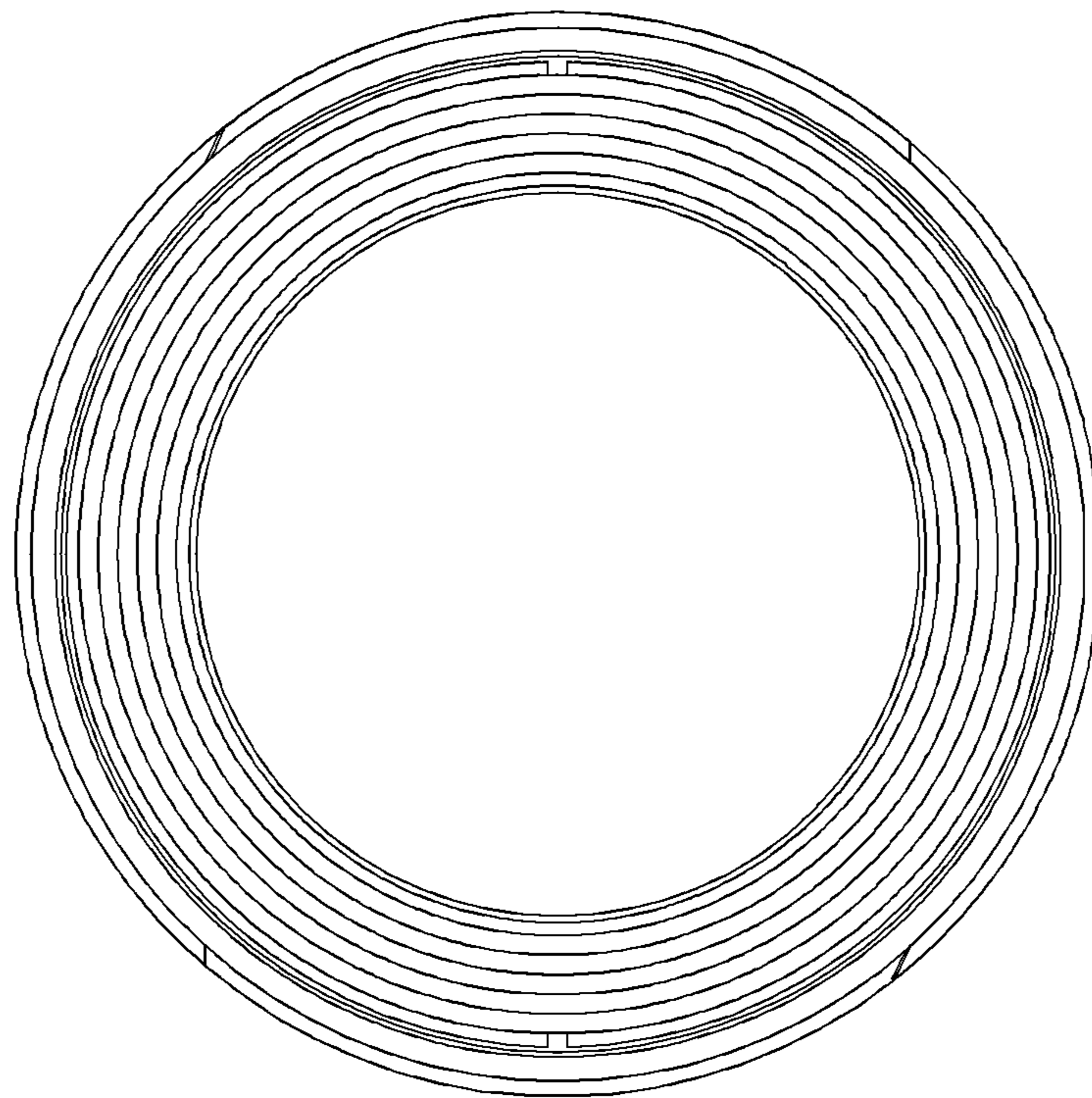


FIG. 6

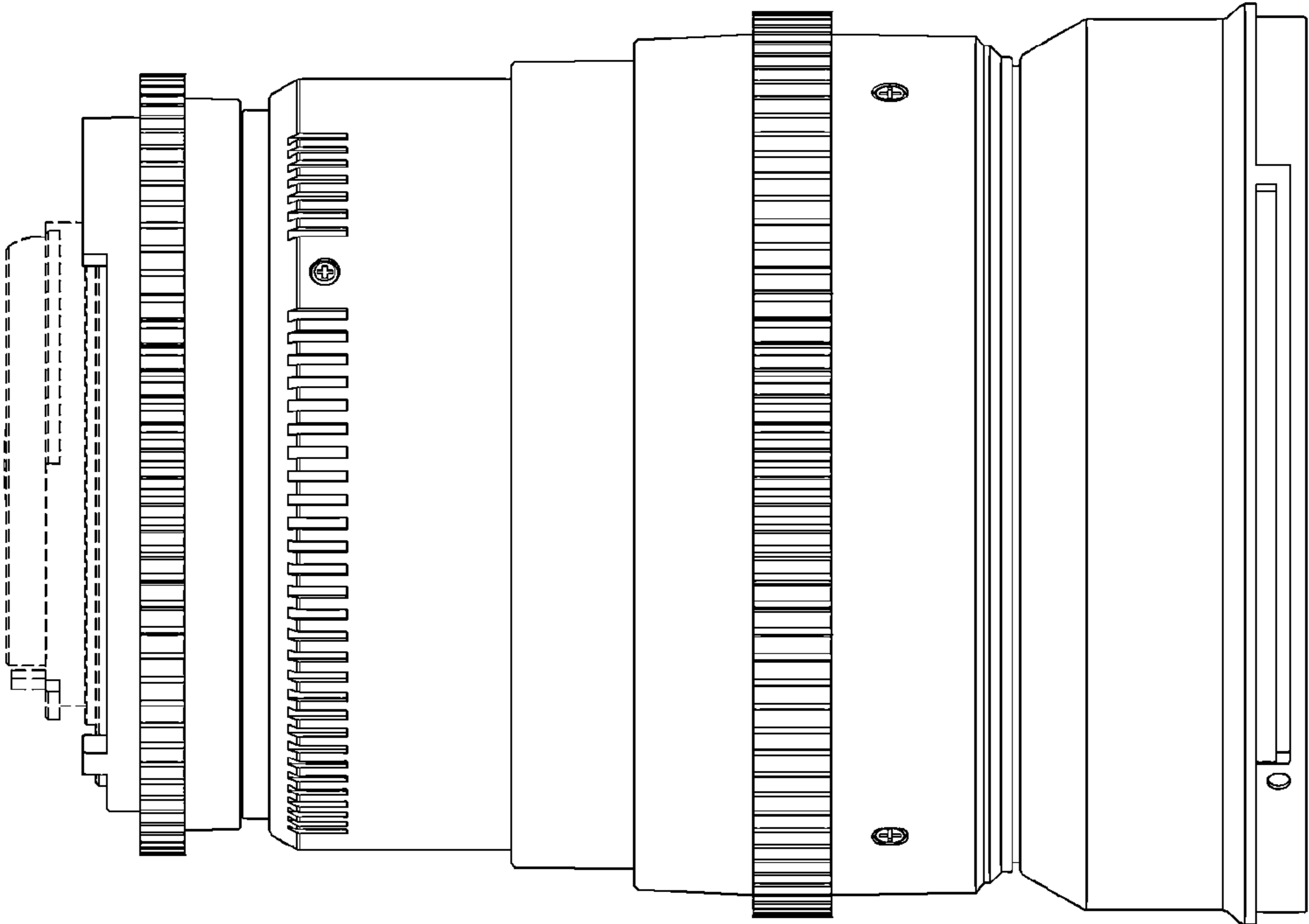


FIG. 7

