



US00D684619S

(12) **United States Design Patent**
Chapple et al.

(10) **Patent No.:** **US D684,619 S**
(45) **Date of Patent:** **** Jun. 18, 2013**

- (54) **CAMERA HOUSING WITH SUNSHIELD**
- (75) Inventors: **Samuel S. Chapple**, Goleta, CA (US);
Mao Zhenmei, Shanghai (CN); **Li Xiang**, Shanghai (CN)
- (73) Assignee: **Flir Systems, Inc.**, Wilsonville, OR (US)
- (**) Term: **14 Years**
- (21) Appl. No.: **29/418,811**
- (22) Filed: **Apr. 20, 2012**
- (51) **LOC (9) Cl.** **16-01**
- (52) **U.S. Cl.**
USPC **D16/203**
- (58) **Field of Classification Search**
USPC . D16/200, 202, 203, 204, 205, 218; 348/143,
348/373–376; 396/427, 535–541
See application file for complete search history.

(56) **References Cited**

U.S. PATENT DOCUMENTS

D307,915	S	*	5/1990	Kuester, III	D16/203
5,864,365	A	*	1/1999	Sramek et al.	348/373
6,728,480	B1	*	4/2004	Maeda et al.	396/427
D514,150	S	*	1/2006	Muto et al.	D16/203
D528,144	S	*	9/2006	Takemasa	D16/203
7,221,402	B2	*	5/2007	Cheng	348/375
D552,145	S	*	10/2007	Grotto	D16/200
D607,033	S	*	12/2009	Arbuckle et al.	D16/203
D614,222	S	*	4/2010	Yamakawa	D16/203

7,762,731	B2	*	7/2010	Arbuckle et al.	396/427
D661,719	S	*	6/2012	Katori et al.	D16/203

* cited by examiner

Primary Examiner — Adir Aronovich

(74) *Attorney, Agent, or Firm* — Haynes and Boone, LLP

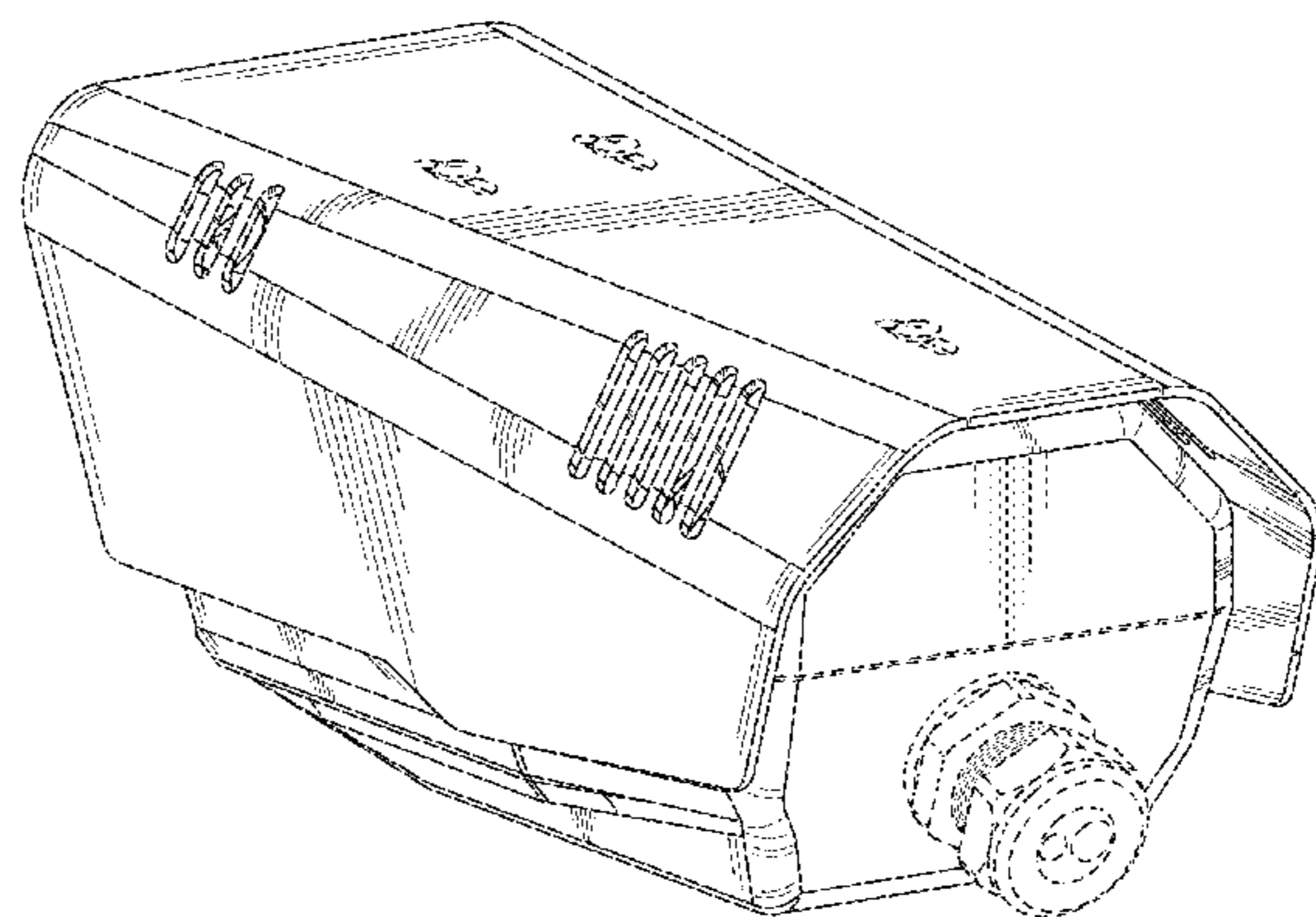
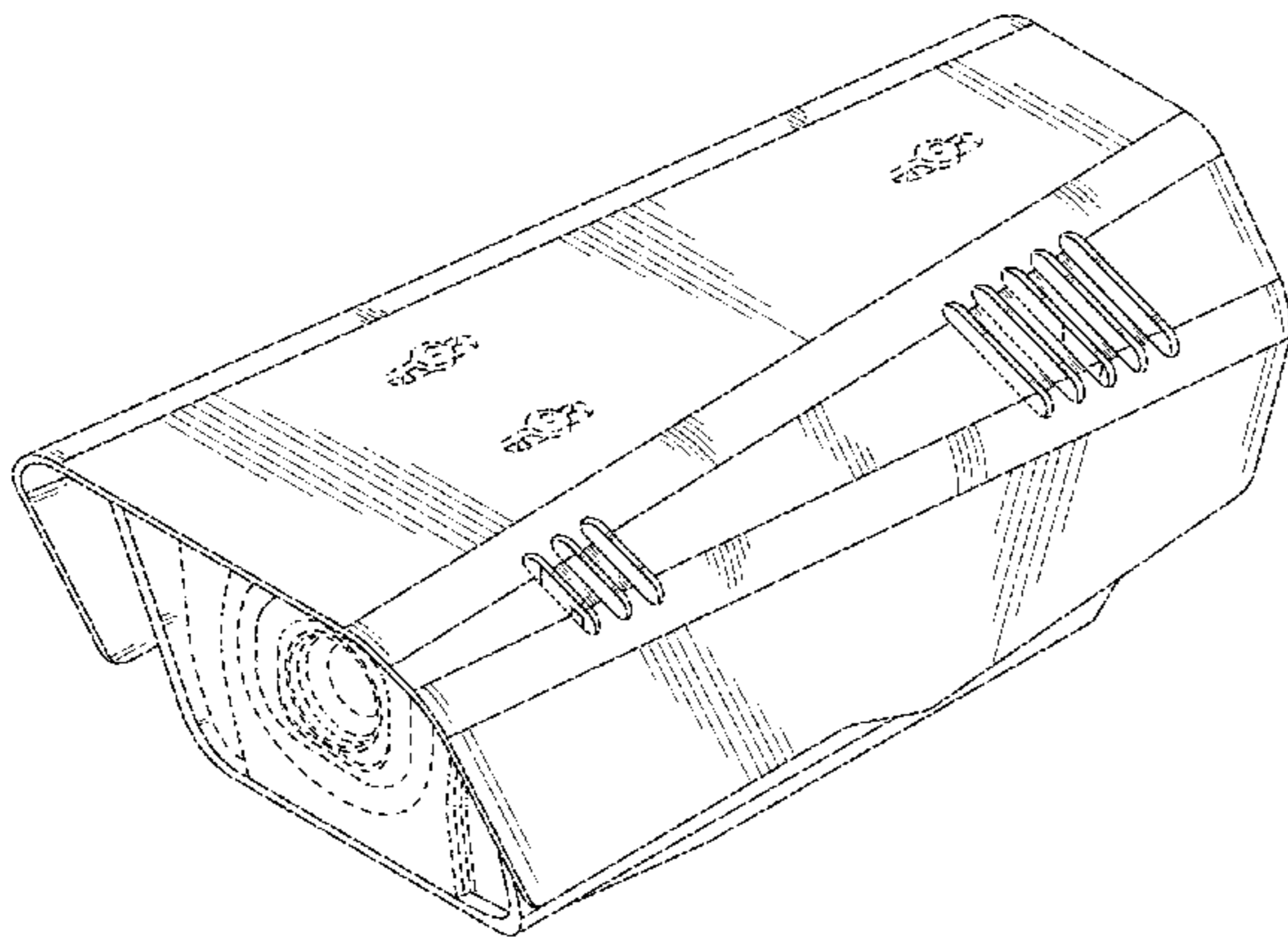
(57) **CLAIM**

The ornamental design for a camera housing with sunshield, as shown and described.

DESCRIPTION

FIG. 1 is a front-right-top perspective view of a camera housing with sunshield embodying the new design;
 FIG. 2 is a rear-right-top perspective view thereof;
 FIG. 3 is a front elevational view thereof;
 FIG. 4 is a rear elevational view thereof;
 FIG. 5 is a bottom plan view thereof;
 FIG. 6 is a top plan view thereof;
 FIG. 7 is a left side elevational view thereof;
 FIG. 8 is a right side elevational view thereof;
 FIG. 9 is a front-right-top perspective view illustrating the camera housing without the sunshield;
 FIG. 10 is a top plan view thereof;
 FIG. 11 is a right side elevational view thereof, the undisclosed left side elevational view being identical thereto;
 FIG. 12 is a front, left and bottom perspective view illustrating sunshield, the camera being omitted for ease of illustration;
 FIG. 13 is a bottom plan view thereof; and,
 FIG. 14 is a front elevational view thereof.
 The broken lines in the figures are shown for the purpose of illustrating environmental matter and form no part of the claimed design.

1 Claim, 13 Drawing Sheets



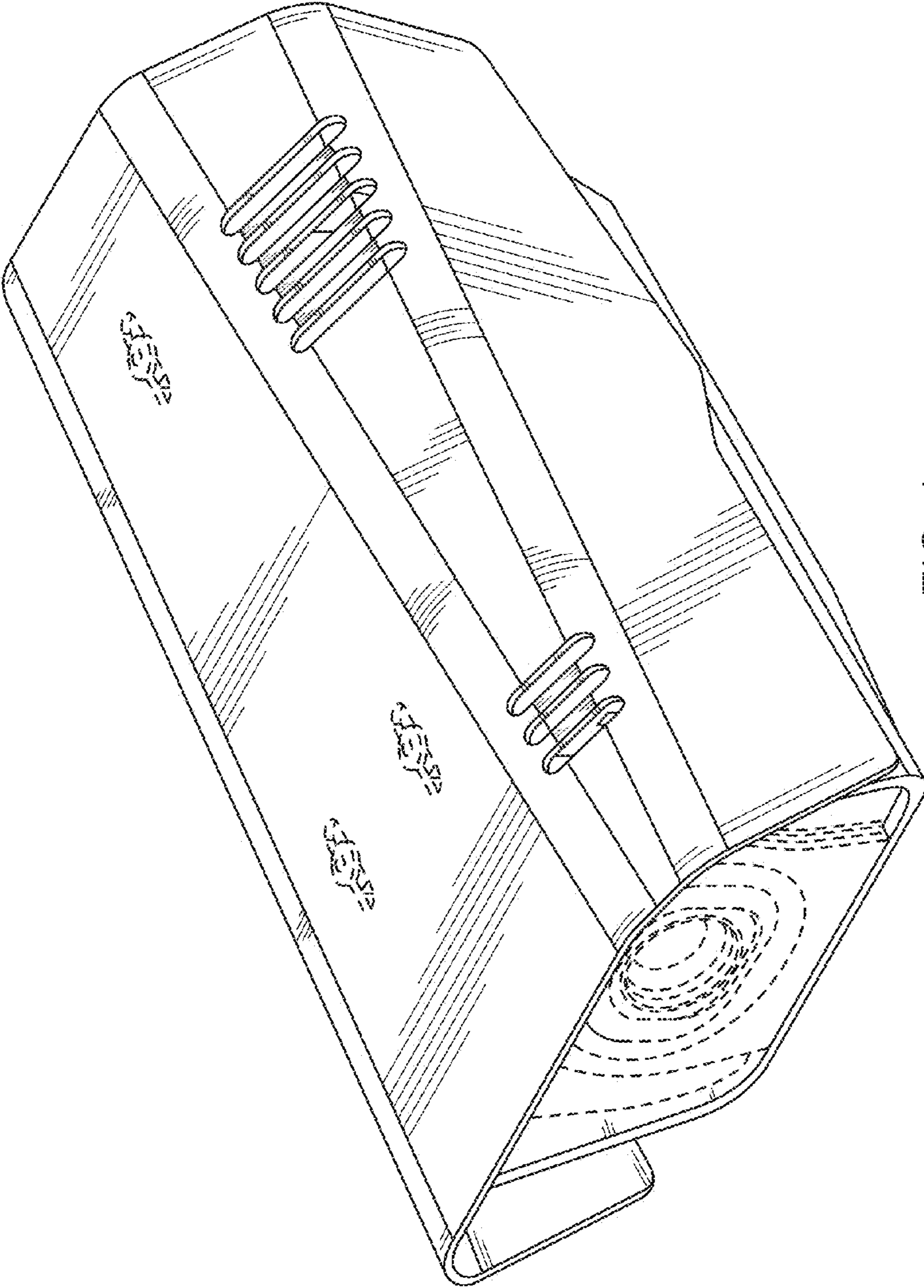


FIG. 1

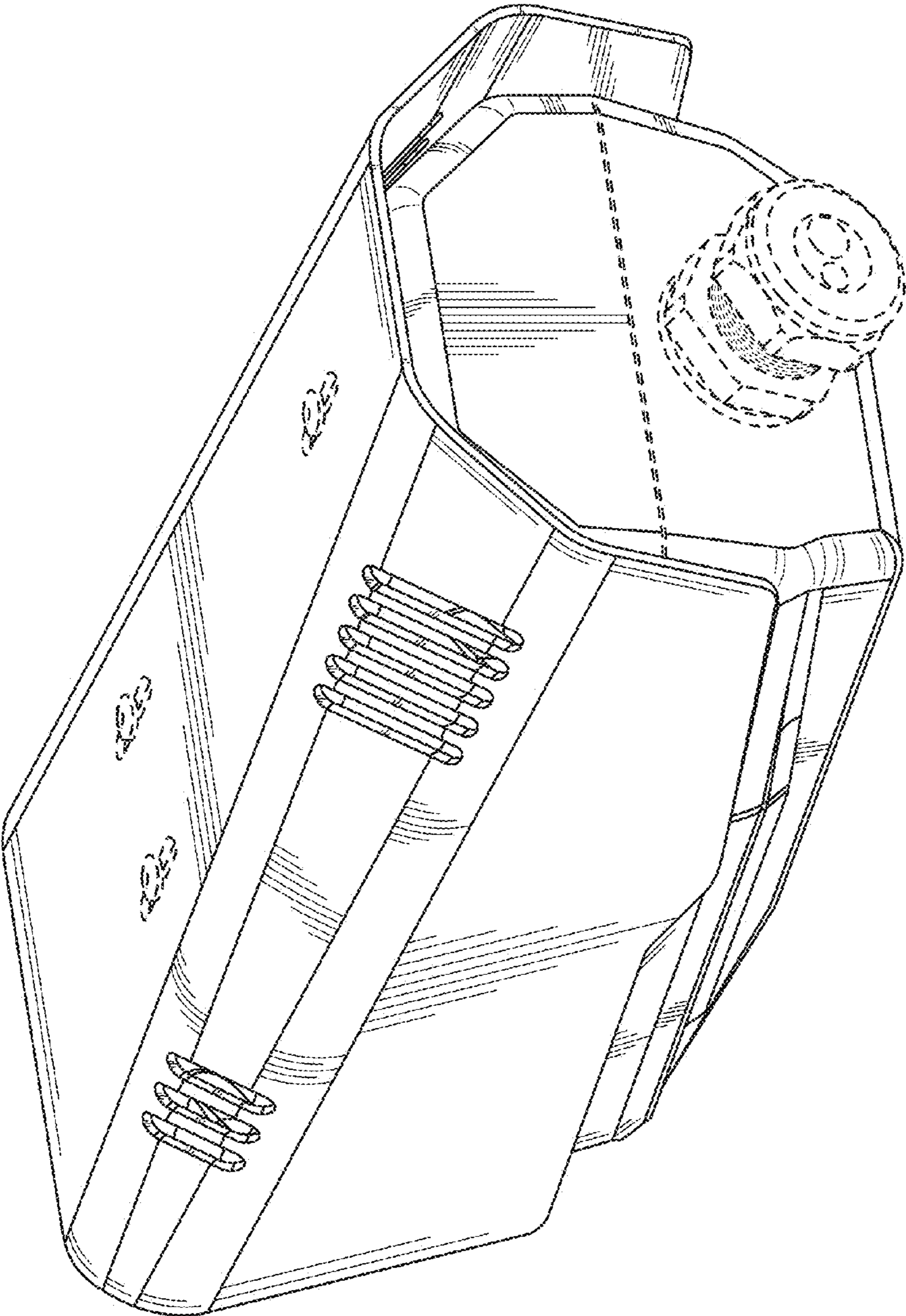


FIG. 2

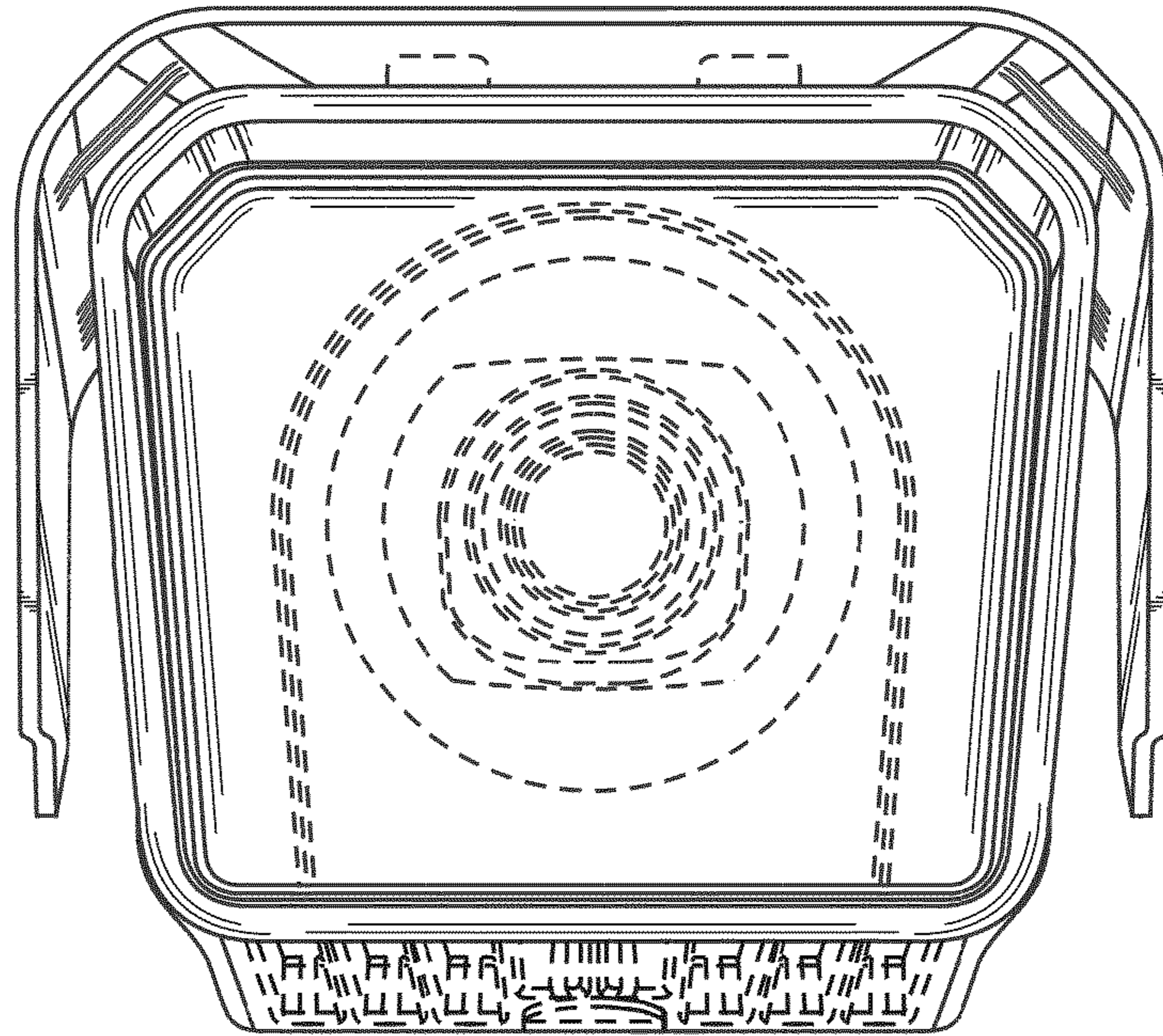


FIG. 3

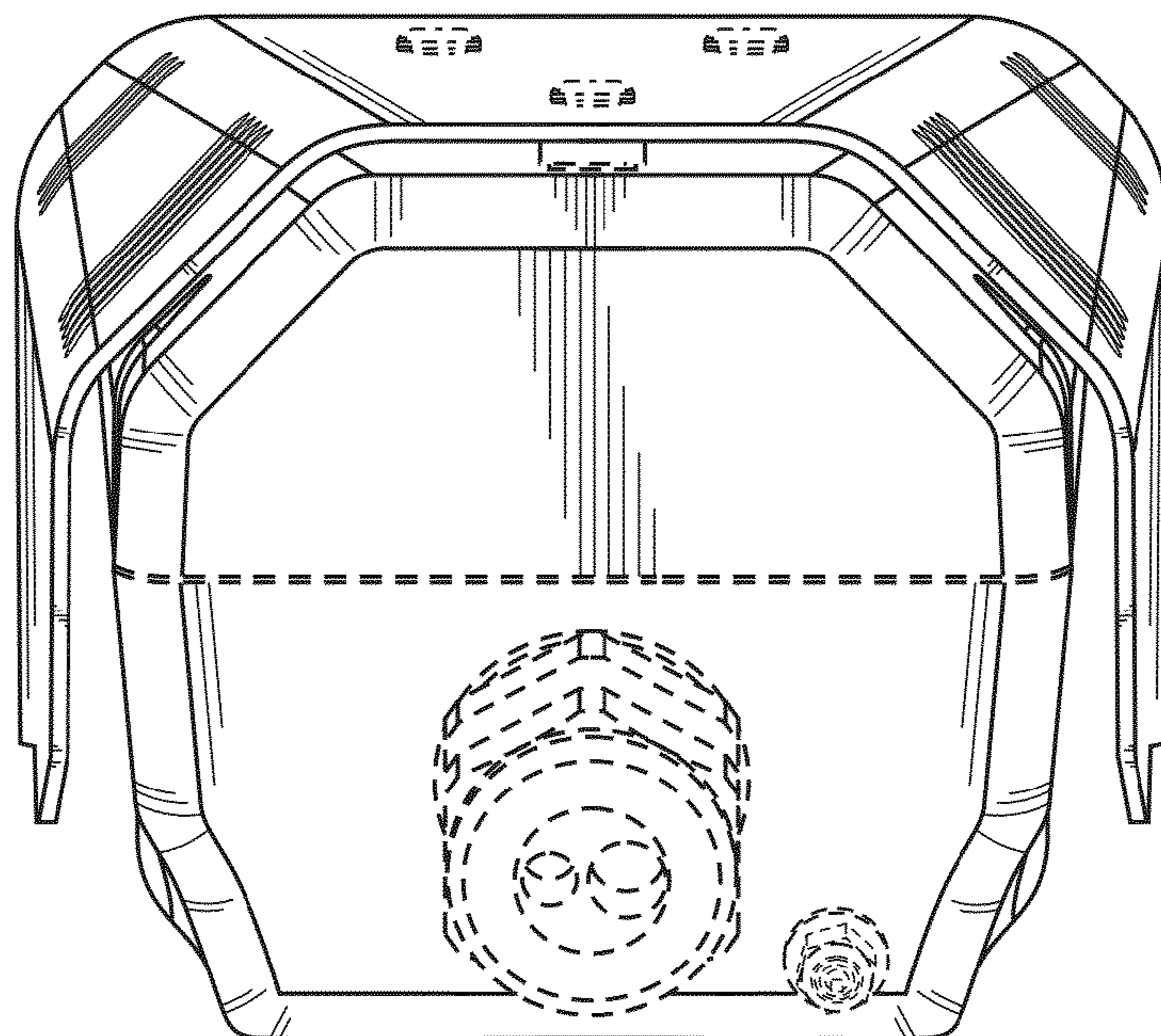


FIG. 4

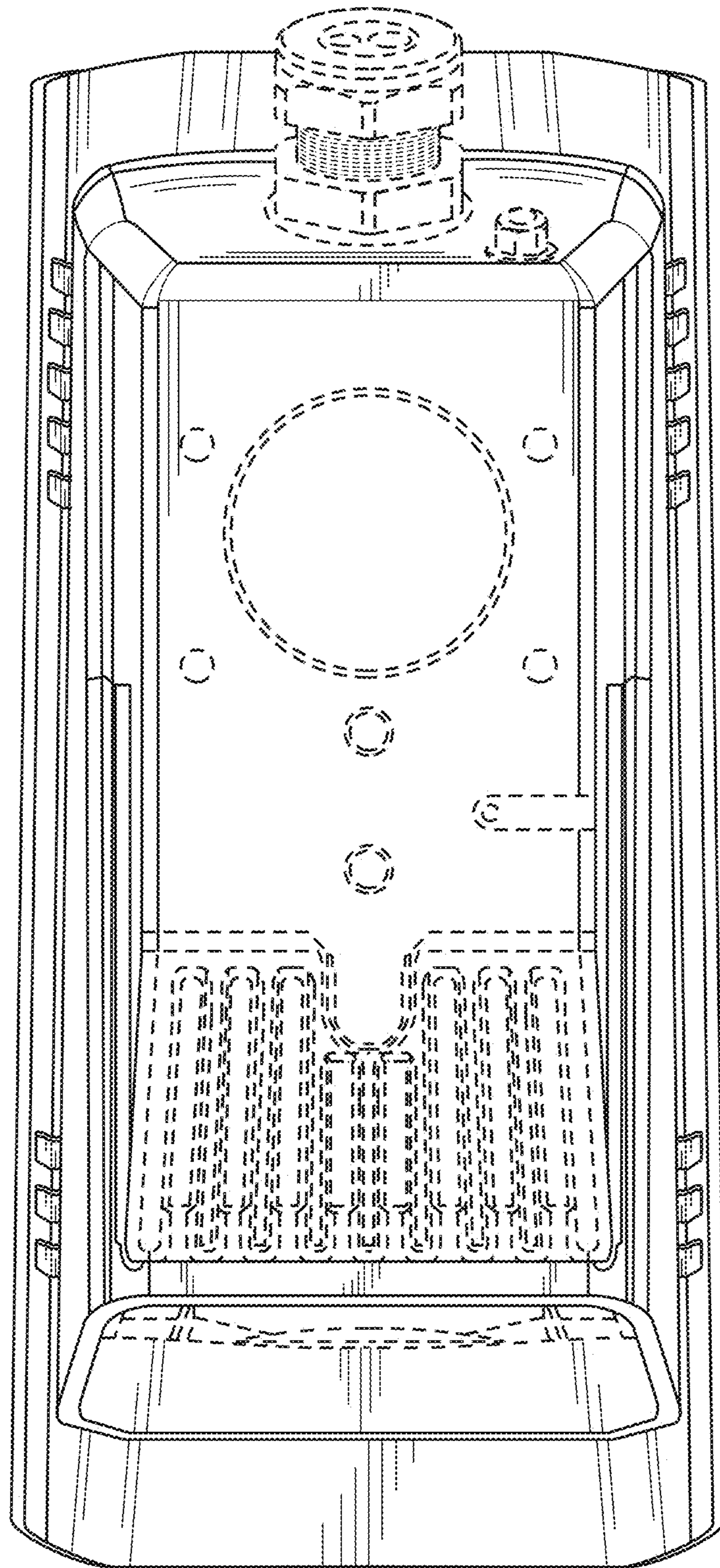


FIG. 5

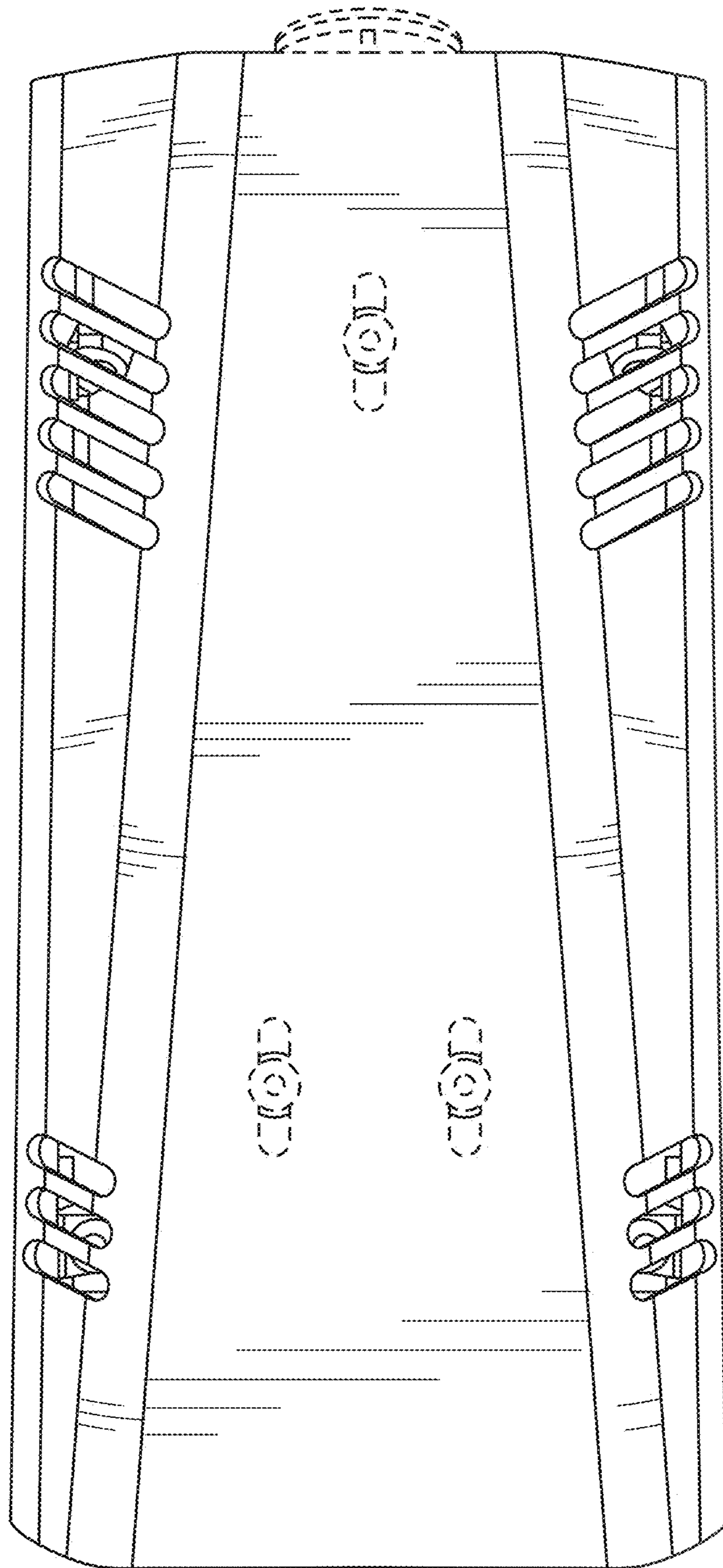


FIG. 6



FIG. 7

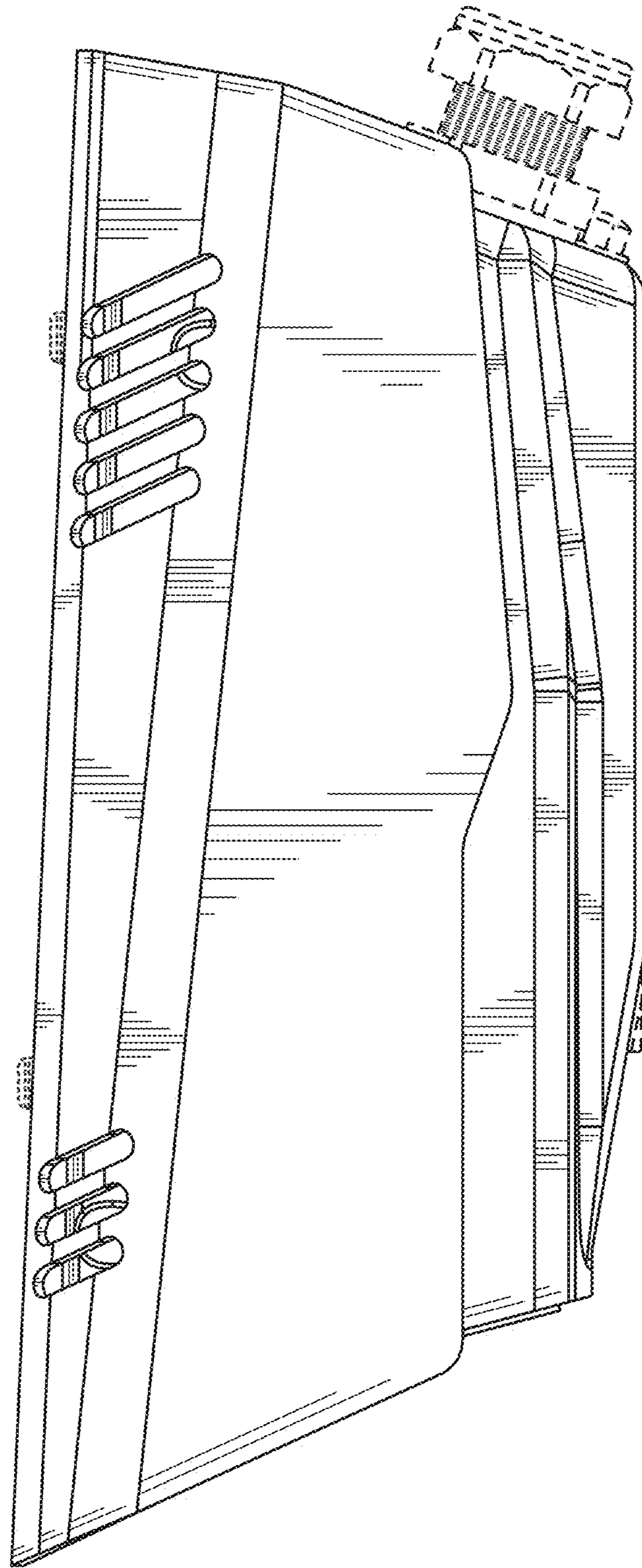


FIG. 8

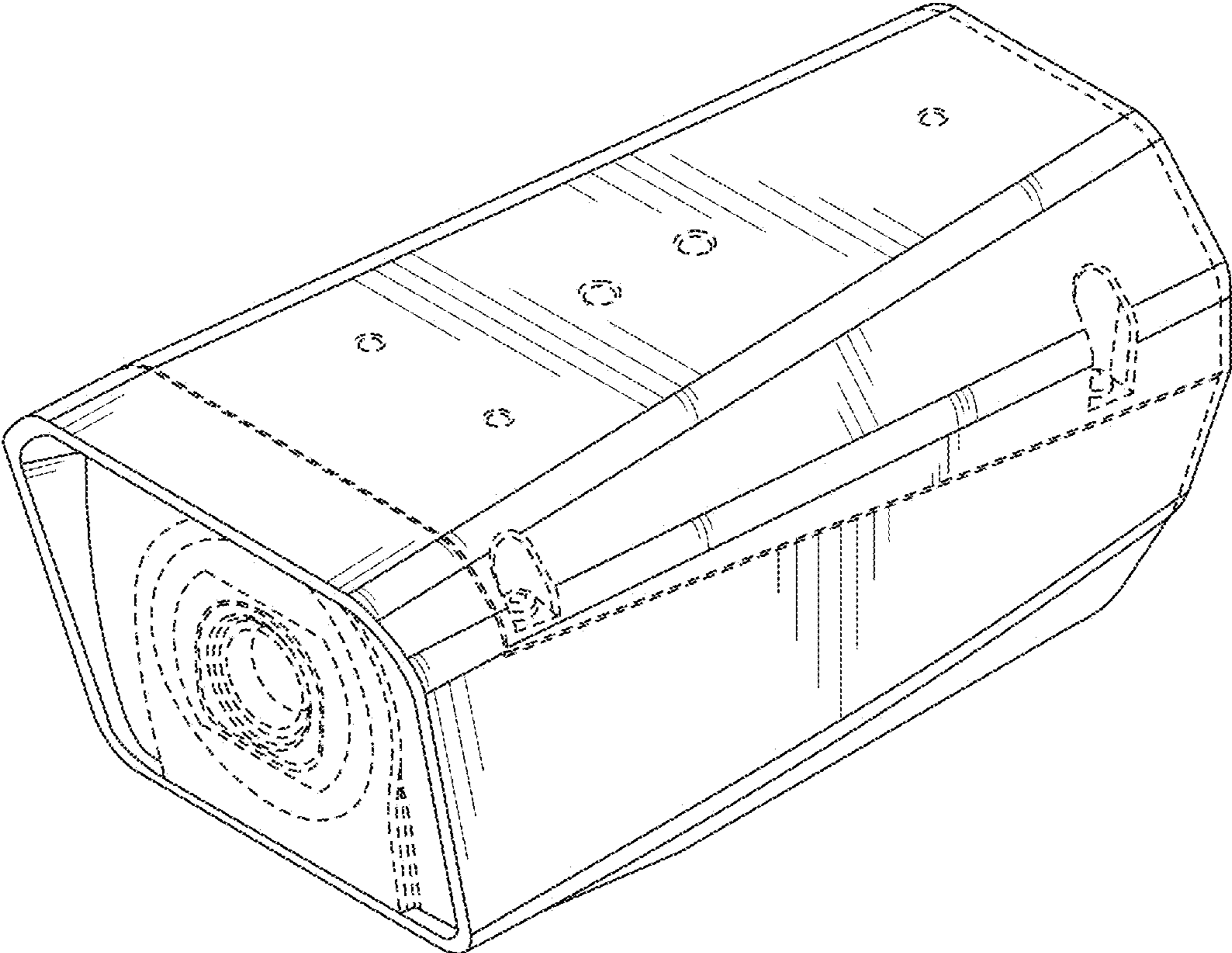


FIG. 9

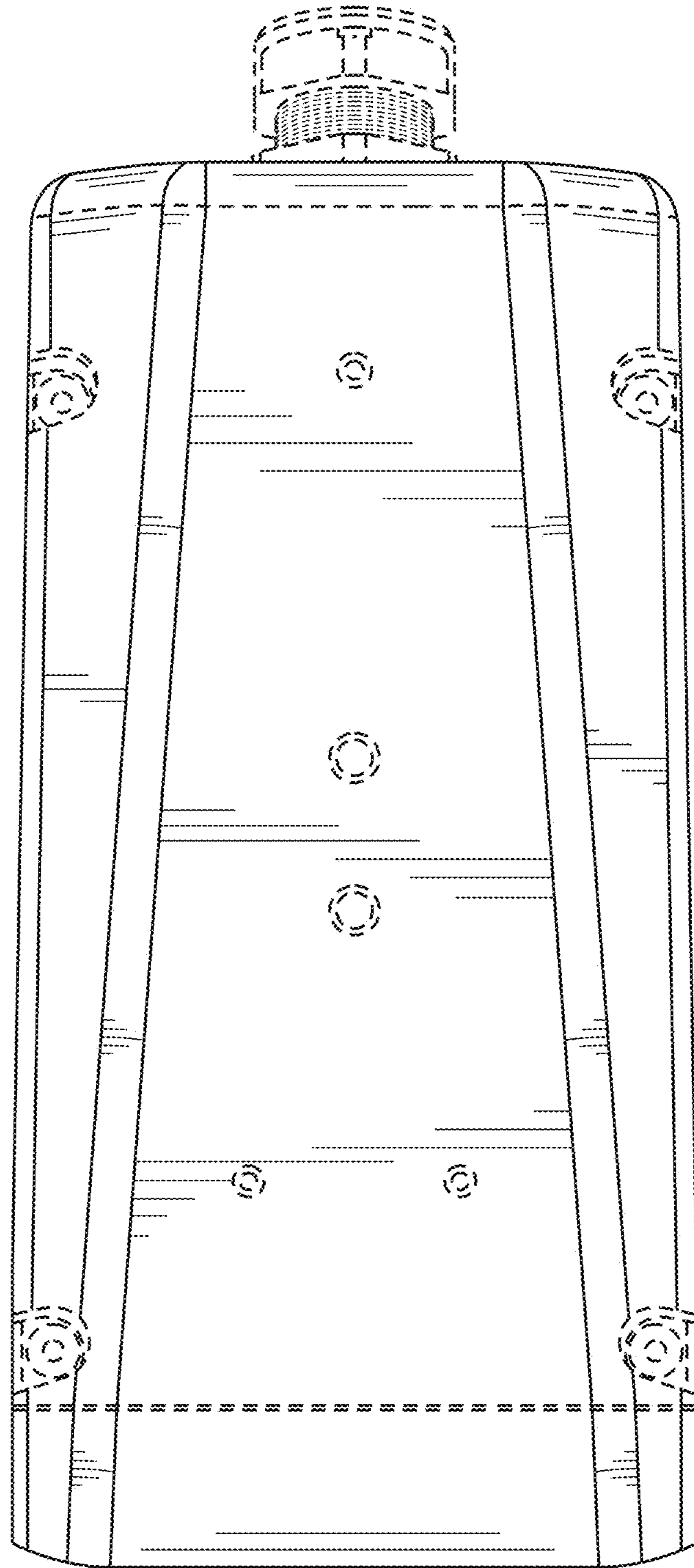


FIG. 10

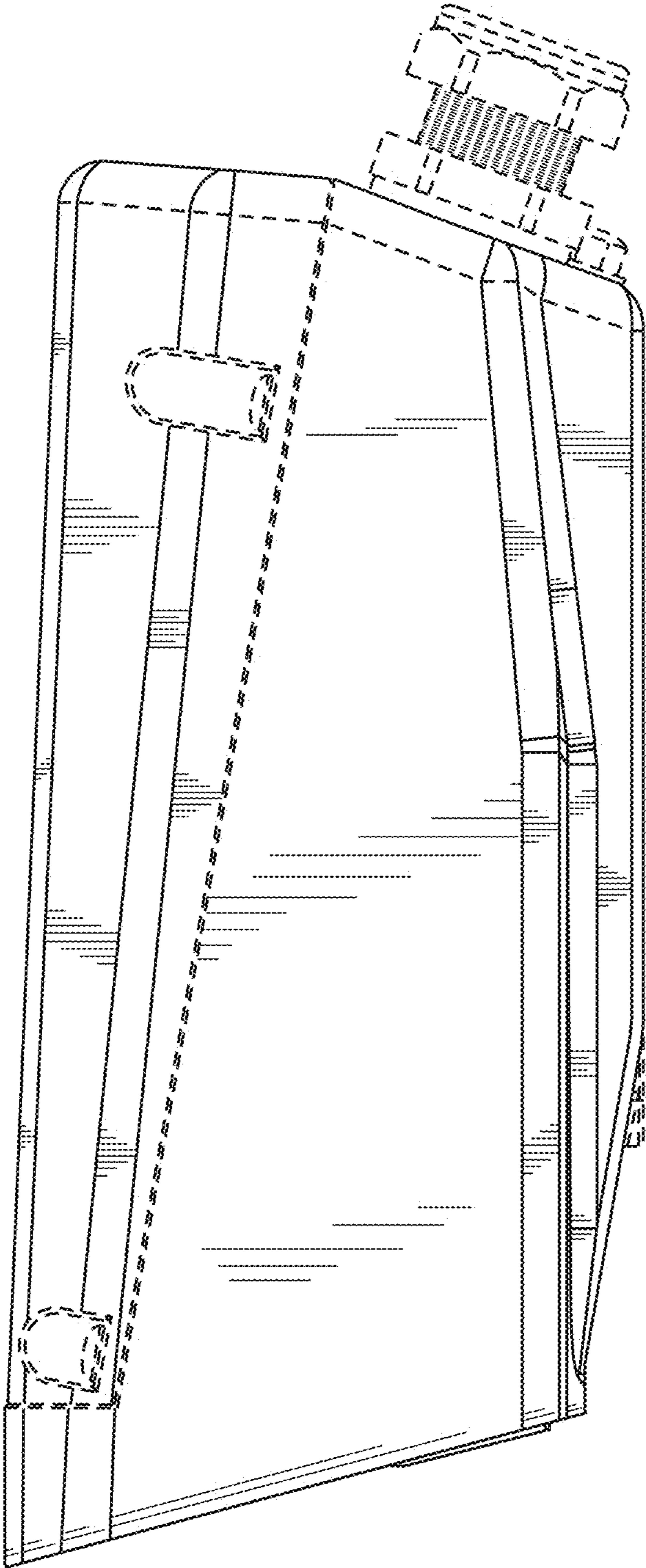


FIG. 11

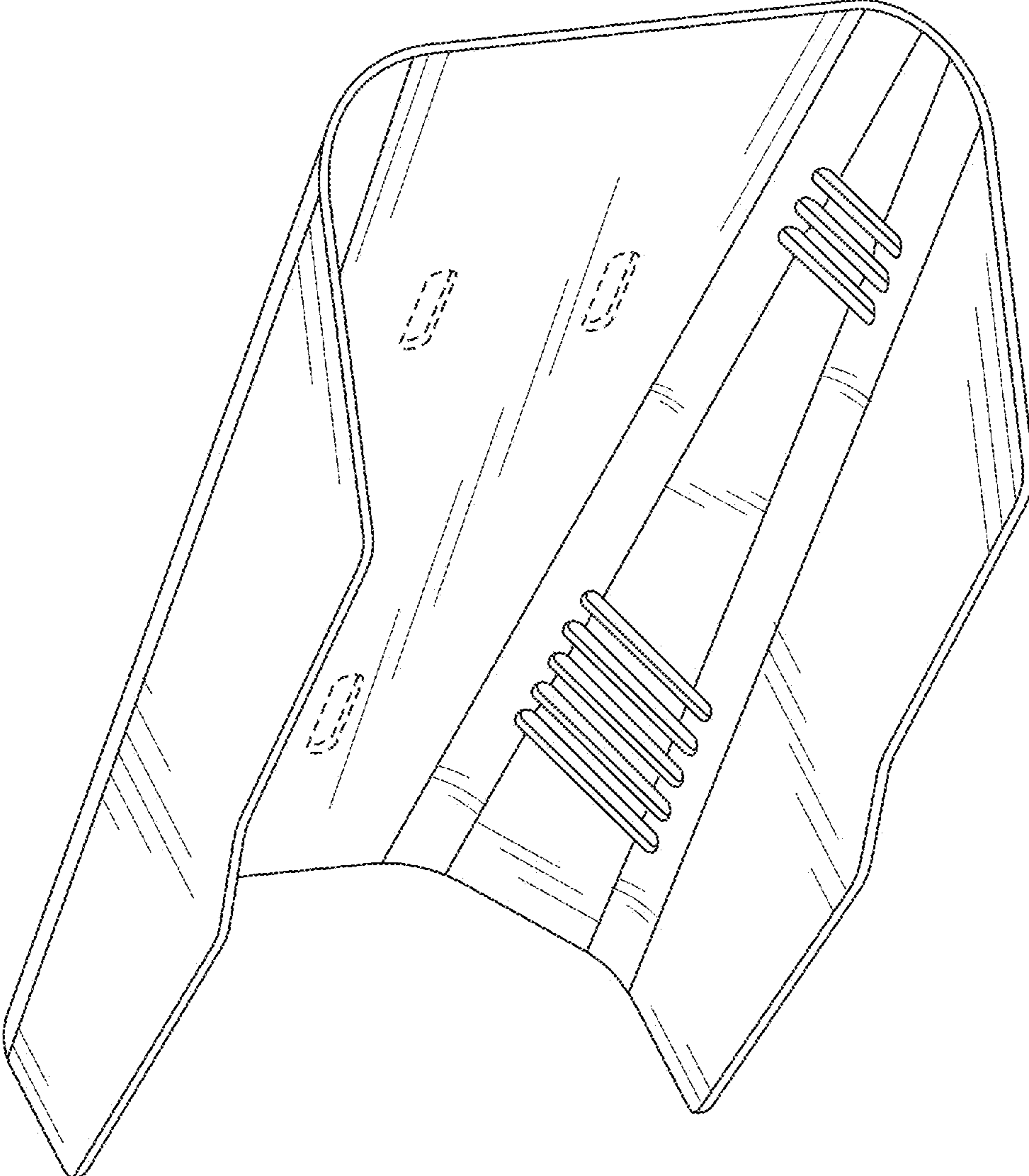


FIG. 12

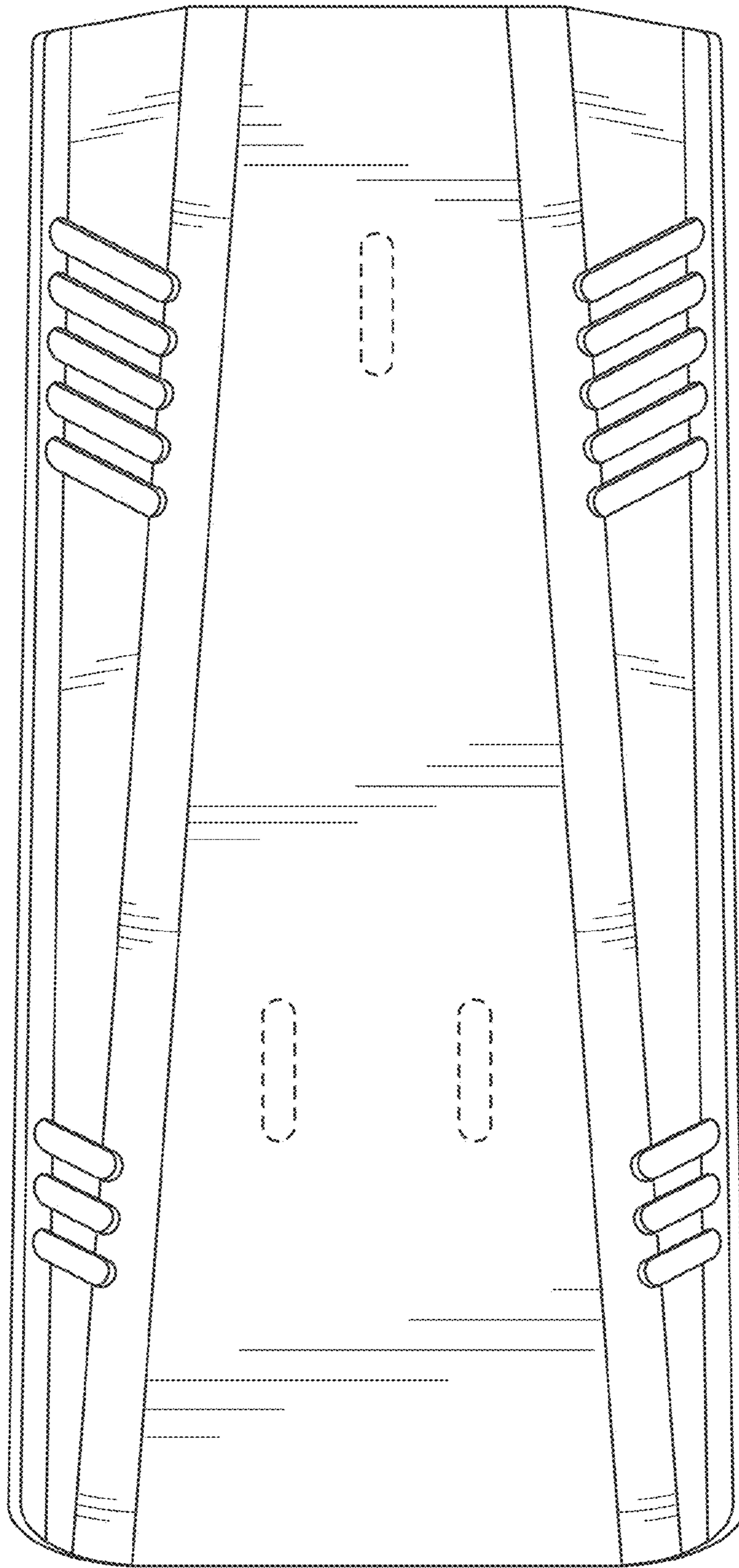


FIG. 13

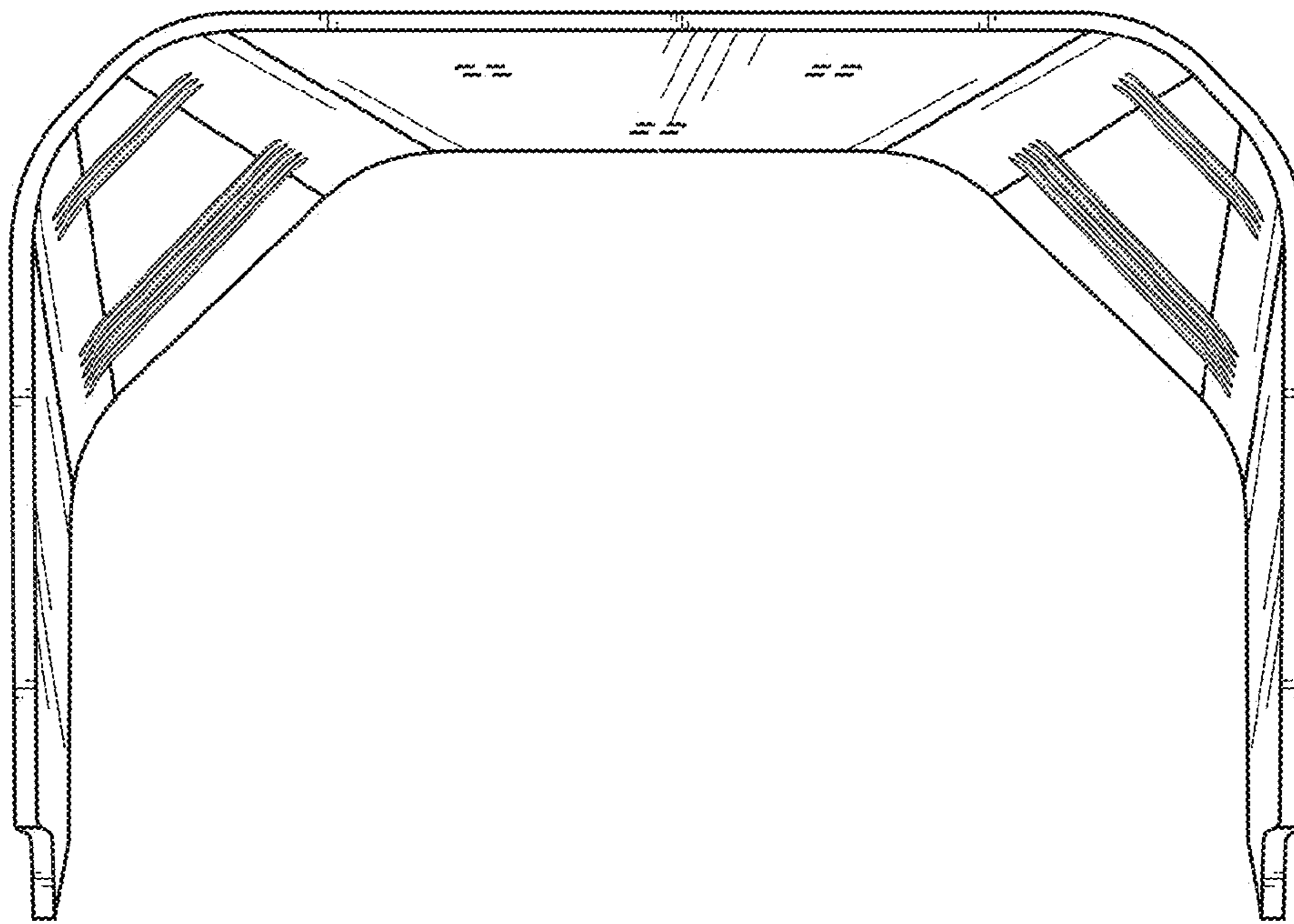


FIG. 14