



US00D684618S

(12) **United States Design Patent**  
**Park et al.**

(10) **Patent No.:** **US D684,618 S**  
(45) **Date of Patent:** **\*\* Jun. 18, 2013**

(54) **VIDEO CAMERA BODY**  
(75) Inventors: **Ho-Jin Park**, Changwon (KR); **Joo-Bok Kim**, Changwon (KR)

7,202,904 B2 \* 4/2007 Wei ..... 348/373  
D556,804 S \* 12/2007 Ishida ..... D16/203  
D606,572 S \* 12/2009 Samson et al. .... D16/203  
D614,222 S \* 4/2010 Yamakawa ..... D16/203

(73) Assignee: **Samsung Techwin Co., Ltd.**, Changwon (KR)

FOREIGN PATENT DOCUMENTS  
KR 30-00375911 S 2/2005

(\*\*) Term: **14 Years**

(21) Appl. No.: **29/416,992**

OTHER PUBLICATIONS  
“Day/Night Surveillance Camera: TL-SC3171” retrieved from <http://www.tp-link.com/en/products/details/?model=TL-SC3171> on Mar. 28, 2012, 2 pages.

(22) Filed: **Mar. 29, 2012**

\* cited by examiner

(30) **Foreign Application Priority Data**  
Nov. 9, 2011 (KR) ..... 30-2011-047159

*Primary Examiner* — Adir Aronovich  
(74) *Attorney, Agent, or Firm* — Sughrue Mion, PLLC

(51) **LOC (9) Cl.** ..... **16-01**

(52) **U.S. Cl.**  
USPC ..... **D16/203**

(57) **CLAIM**  
The ornamental design for a video camera body, as shown and described.

(58) **Field of Classification Search**  
USPC . D16/200, 202, 203, 204, 205, 218; 348/143, 348/373–376; 396/427, 535–541  
See application file for complete search history.

**DESCRIPTION**

FIG. 1 is a perspective view of a video camera body showing my new design;  
FIG. 2 is a front elevational view of the video camera body;  
FIG. 3 is a rear elevational view of the video camera body;  
FIG. 4 is a left side elevational view thereof;  
FIG. 5 is a right side elevational view thereof;  
FIG. 6 is a top plan view thereof; and,  
FIG. 7 is a bottom plan view thereof.

(56) **References Cited**  
U.S. PATENT DOCUMENTS  
D316,421 S \* 4/1991 Shinano et al. .... D16/202  
D390,858 S \* 2/1998 Wen ..... D16/203  
D416,272 S \* 11/1999 Adachi ..... D16/203  
D524,835 S \* 7/2006 Barman et al. .... D16/200

**1 Claim, 4 Drawing Sheets**

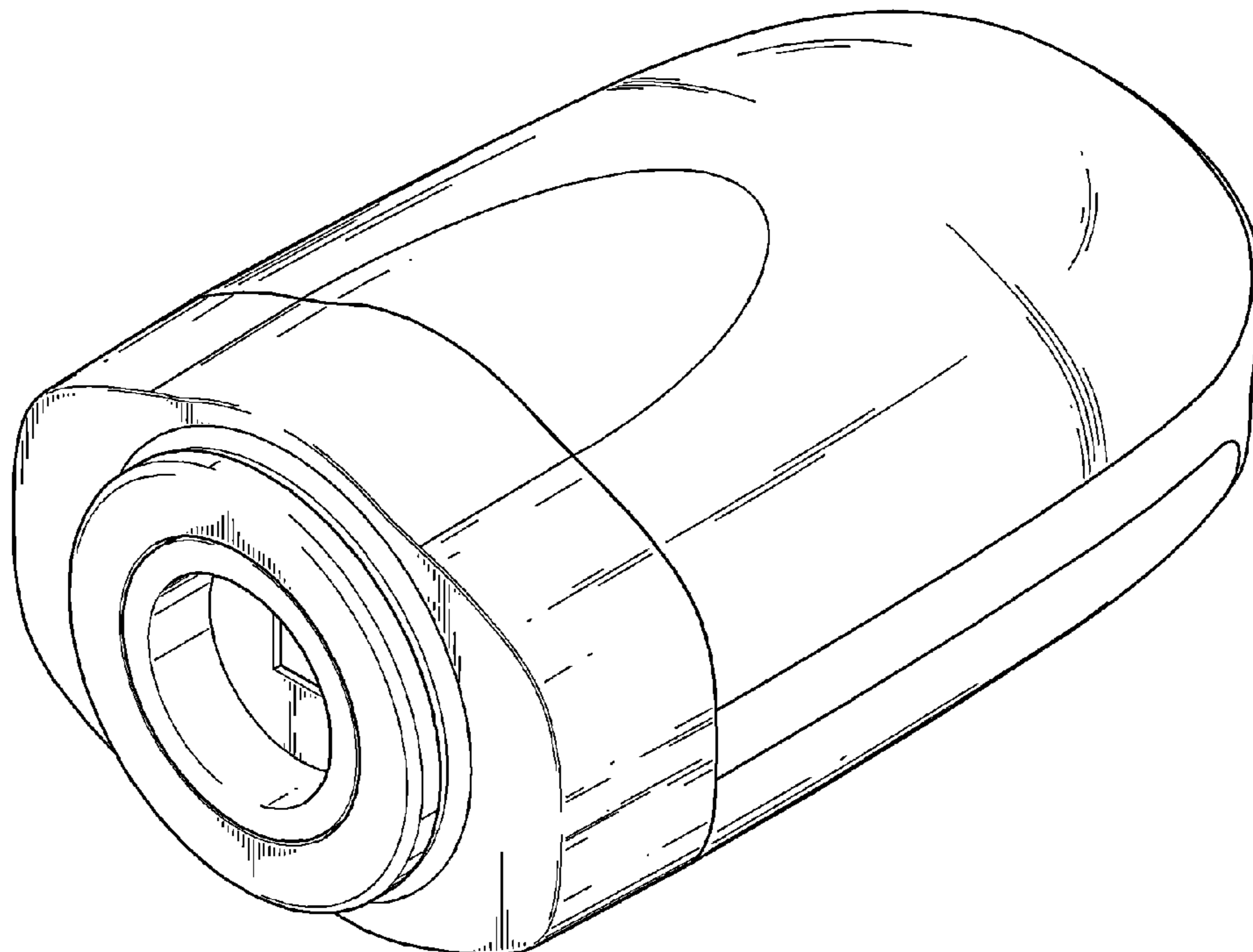


FIG. 1

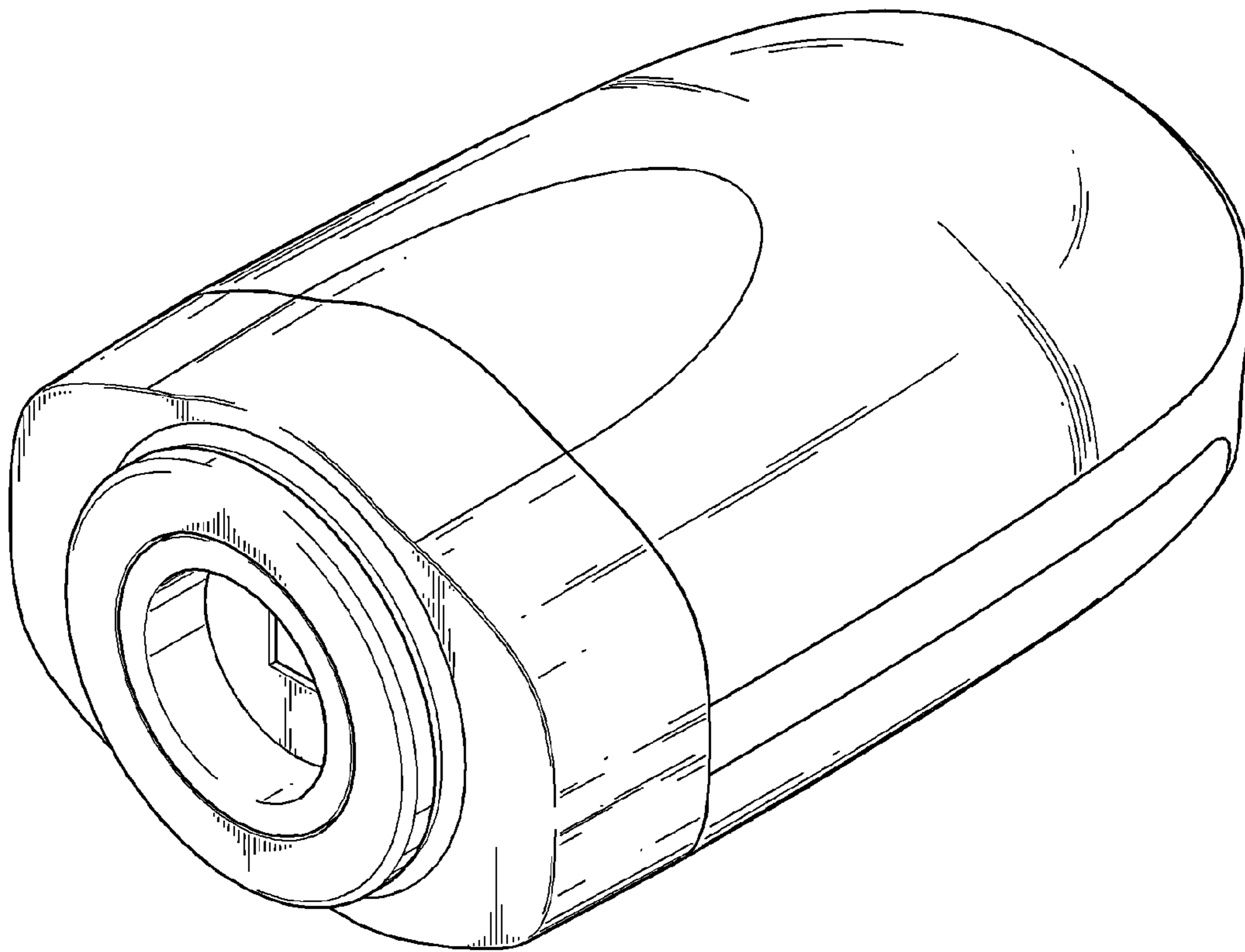


FIG. 2

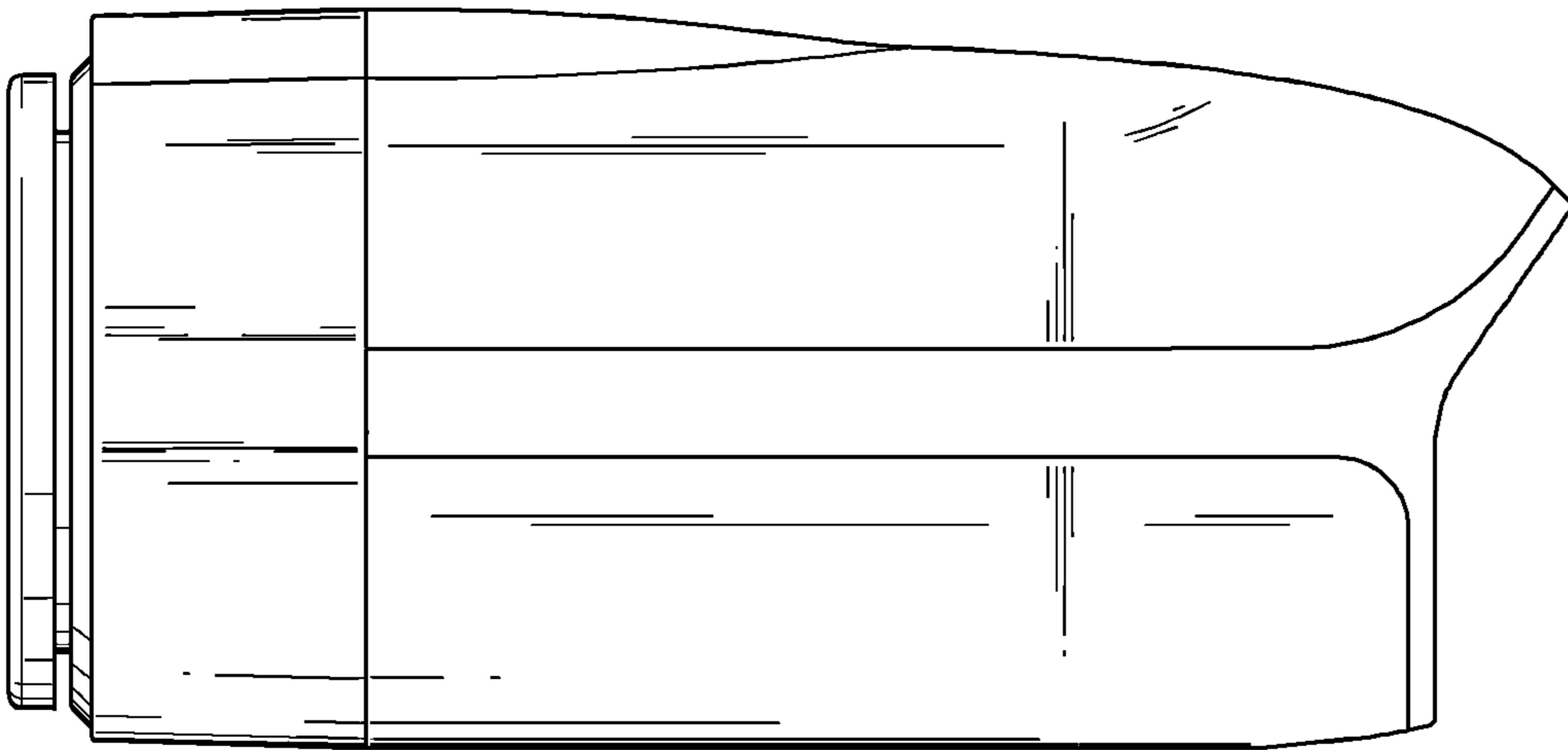


FIG. 3

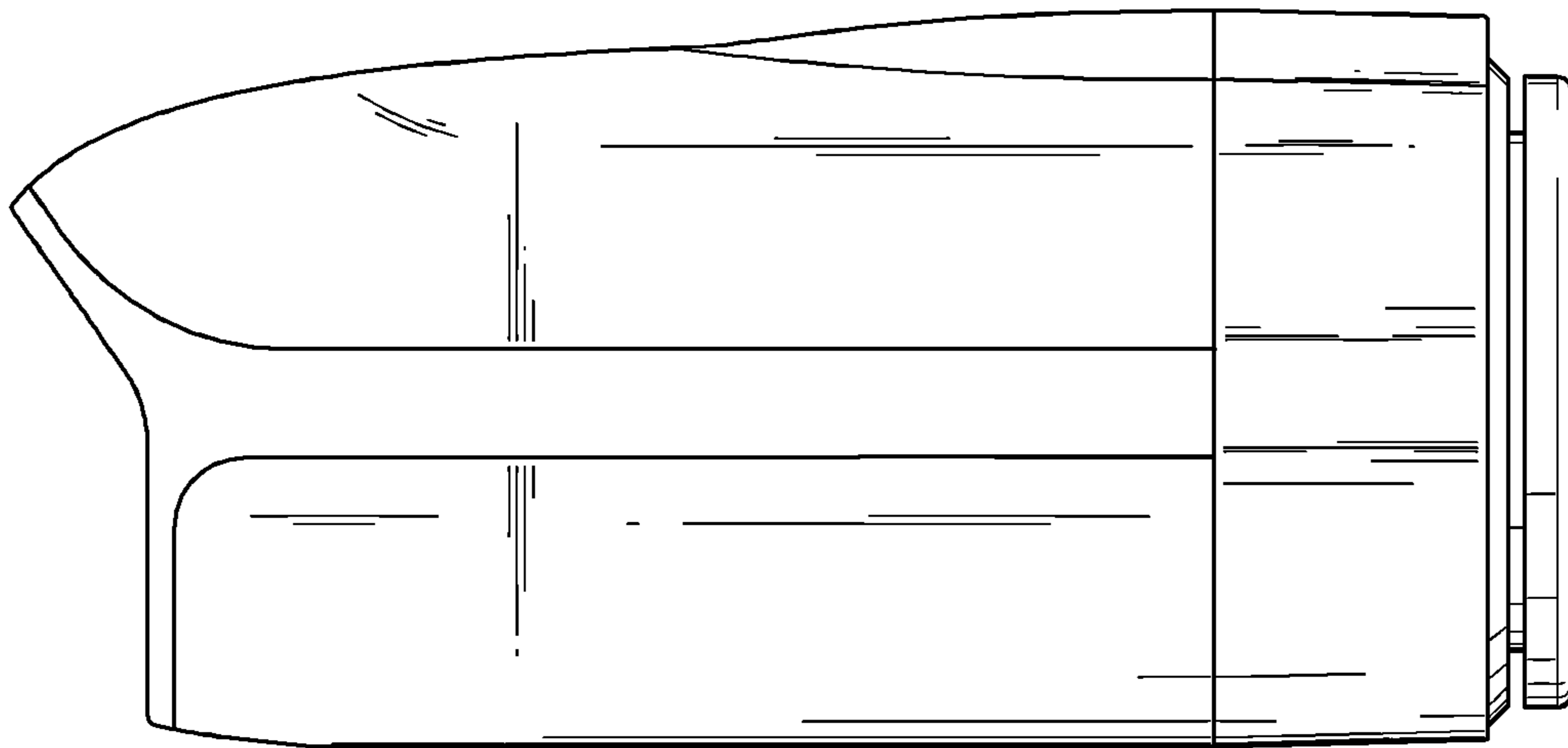


FIG. 4

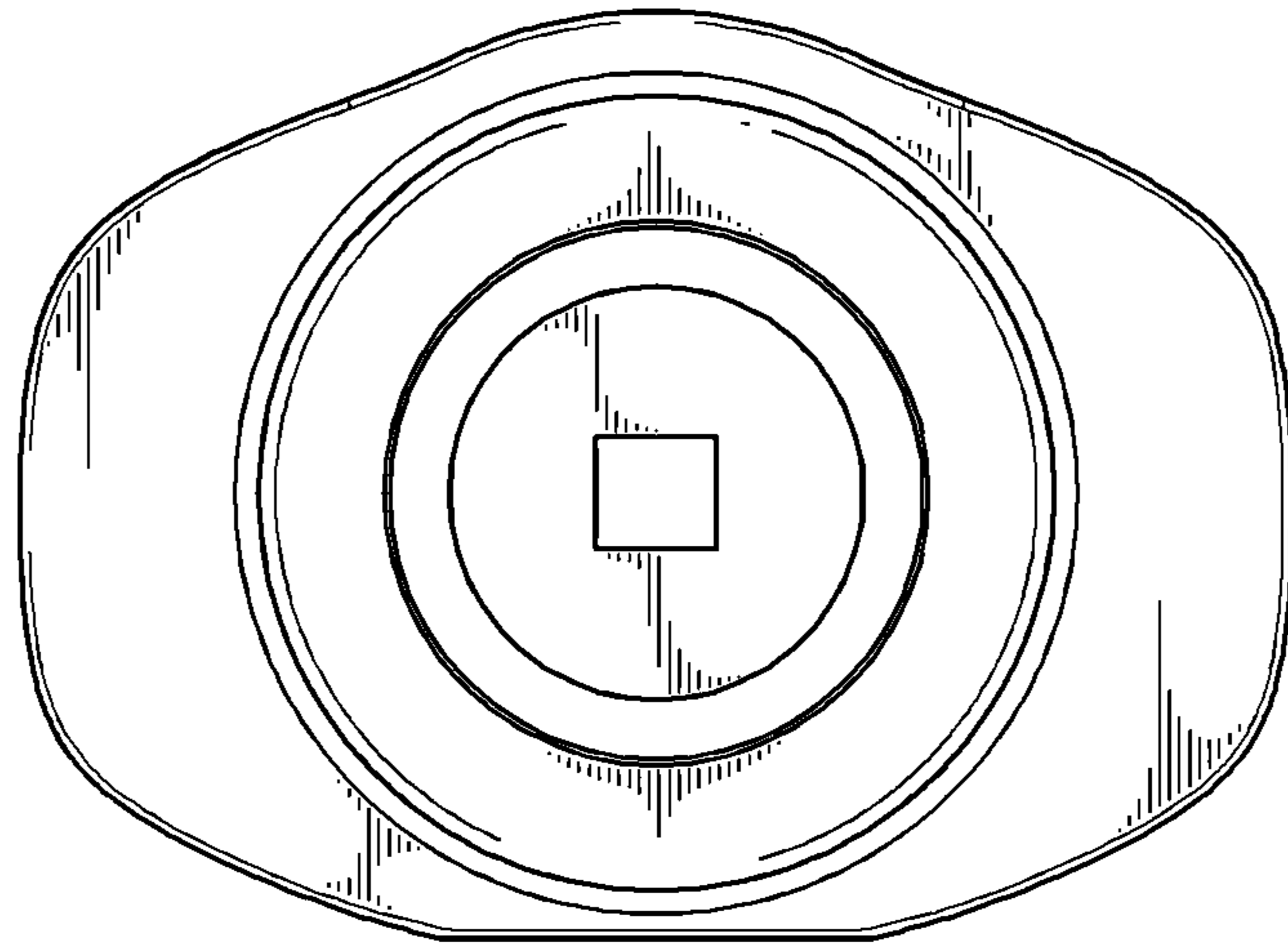


FIG. 5

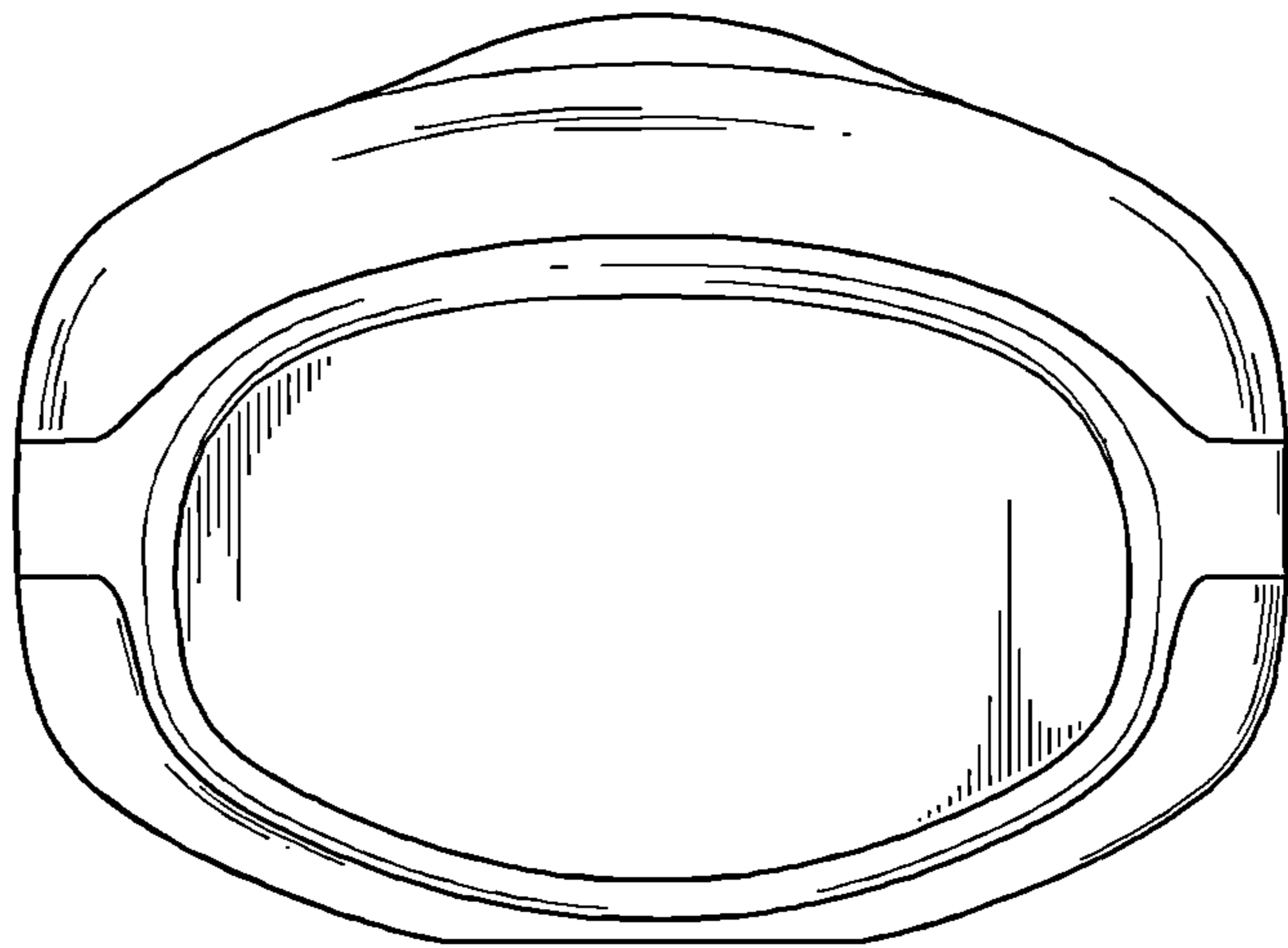


FIG. 6

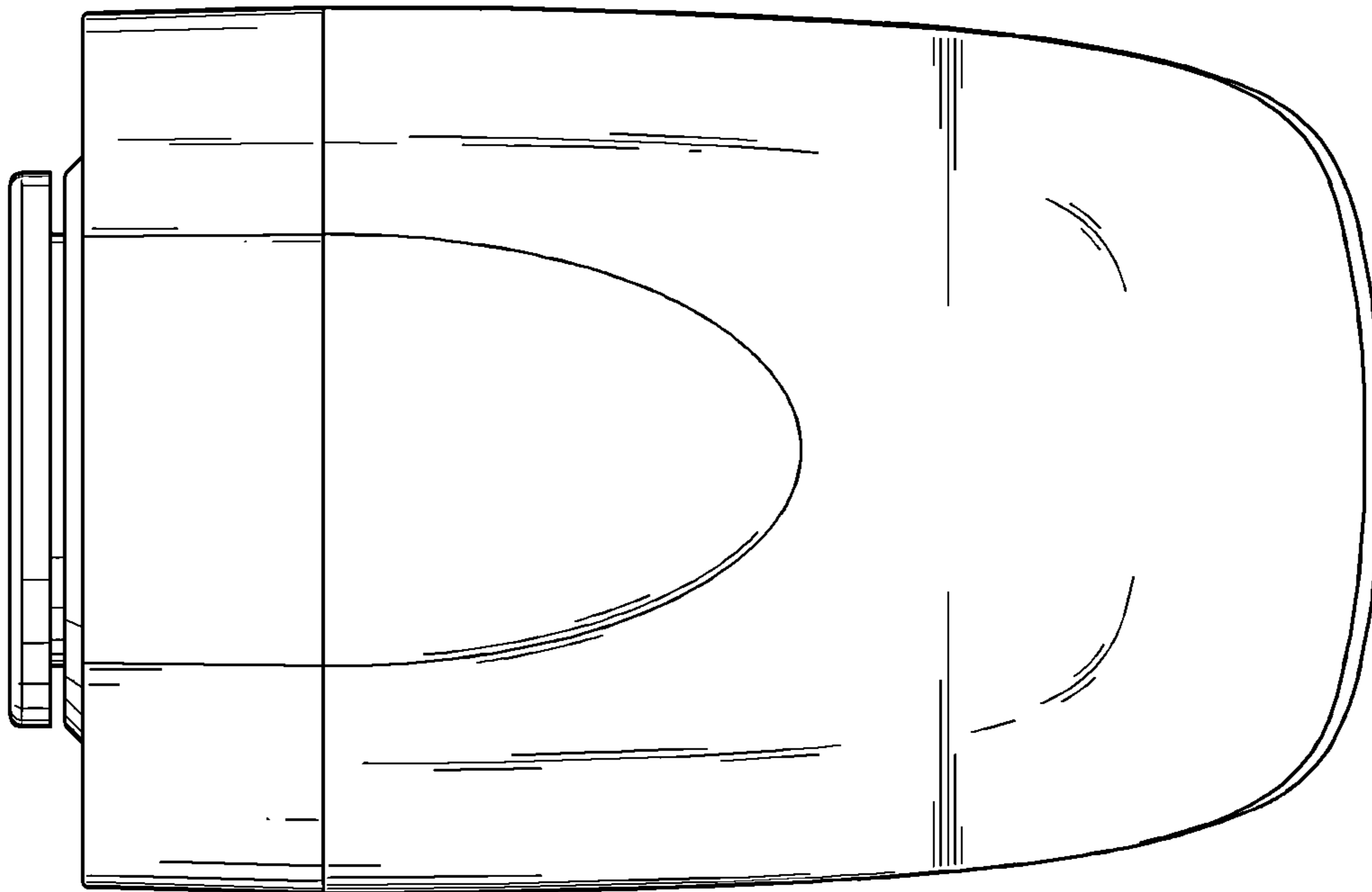


FIG. 7

