



US00D684616S

(12) **United States Design Patent**
Bergamini

(10) **Patent No.:** **US D684,616 S**
(45) **Date of Patent:** **** Jun. 18, 2013**

(54) **COLOR DISPENSING MACHINE**

(75) Inventor: **Andrea Bergamini**, Nonantola (IT)

(73) Assignee: **CPS Color Equipment S.p.A. Con Unico Socio**, San Felice Sul Panaro (MO) (IT)

(**) Term: **14 Years**

(21) Appl. No.: **29/432,320**

(22) Filed: **Sep. 14, 2012**

(30) **Foreign Application Priority Data**

Apr. 2, 2012 (EM) 11320485-0003

(51) **LOC (9) Cl.** **15-01**

(52) **U.S. Cl.**
USPC **D15/199**

(58) **Field of Classification Search**
USPC D15/122, 147, 199; 366/208–218,
366/605; 222/14, 23, 52, 56, 63, 71, 135,
222/144, 144.5, 173, 181.1, 309, 333
See application file for complete search history.

(56) **References Cited**

U.S. PATENT DOCUMENTS

4,027,785	A *	6/1977	Edstrom et al.	222/135
D254,973	S *	5/1980	Ahrenskou-Sorensen	...	D15/147
D262,628	S *	1/1982	Meyer	D15/122
4,953,985	A *	9/1990	Miller	366/605
D327,895	S *	7/1992	Edstrom	D15/199
5,328,057	A *	7/1994	Hellenberg et al.	222/135
D349,506	S *	8/1994	Caruso et al.	D15/199
5,938,080	A *	8/1999	Haaser et al.	222/144
D450,731	S *	11/2001	Papaikonomou et al.	...	D15/147
D472,253	S *	3/2003	Reedy et al.	D15/147
D512,084	S *	11/2005	Kaufhold et al.	D15/147

OTHER PUBLICATIONS

Corob Dispensers, Fully Automatic Colorant Dispenser, Sep. 2011.

* cited by examiner

Primary Examiner — Brian N Vinson

(74) *Attorney, Agent, or Firm* — Rankin, Hill & Clark LLP

(57) **CLAIM**

The ornamental design for a color dispensing machine, as shown and described.

DESCRIPTION

FIG. 1 illustrates the color dispensing machine in a perspective view;

FIG. 2 illustrates the color dispensing machine in a perspective view with the right upper door open;

FIG. 3 illustrates the color dispensing machine in front view;

FIG. 4 illustrates the color dispensing machine in rear view;

FIG. 5 illustrates the color dispensing machine in top view;

FIG. 6 illustrates the color dispensing machine in left side view;

FIG. 7 illustrates the color dispensing machine in right side view;

FIG. 8 illustrates the color dispensing machine in bottom view;

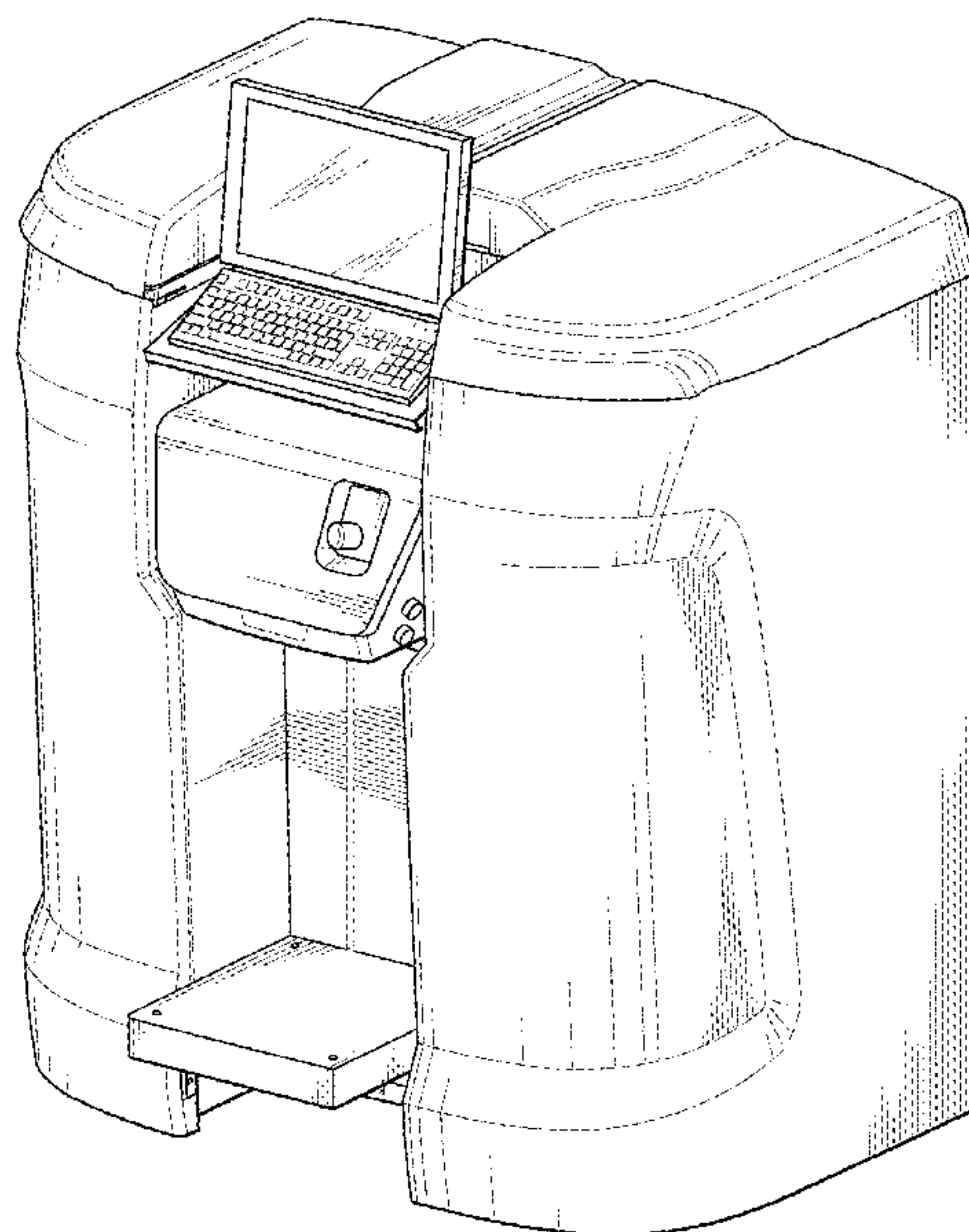
FIG. 9 illustrates the color dispensing machine in front view with the right upper door open;

FIG. 10 illustrates the color dispensing machine in top view with the upper doors removed; and,

FIG. 11 illustrates the color dispensing machine in top view with the right upper door open.

The broken-line disclosure represents unclaimed portions of the article in which the claimed design is embodied.

1 Claim, 11 Drawing Sheets



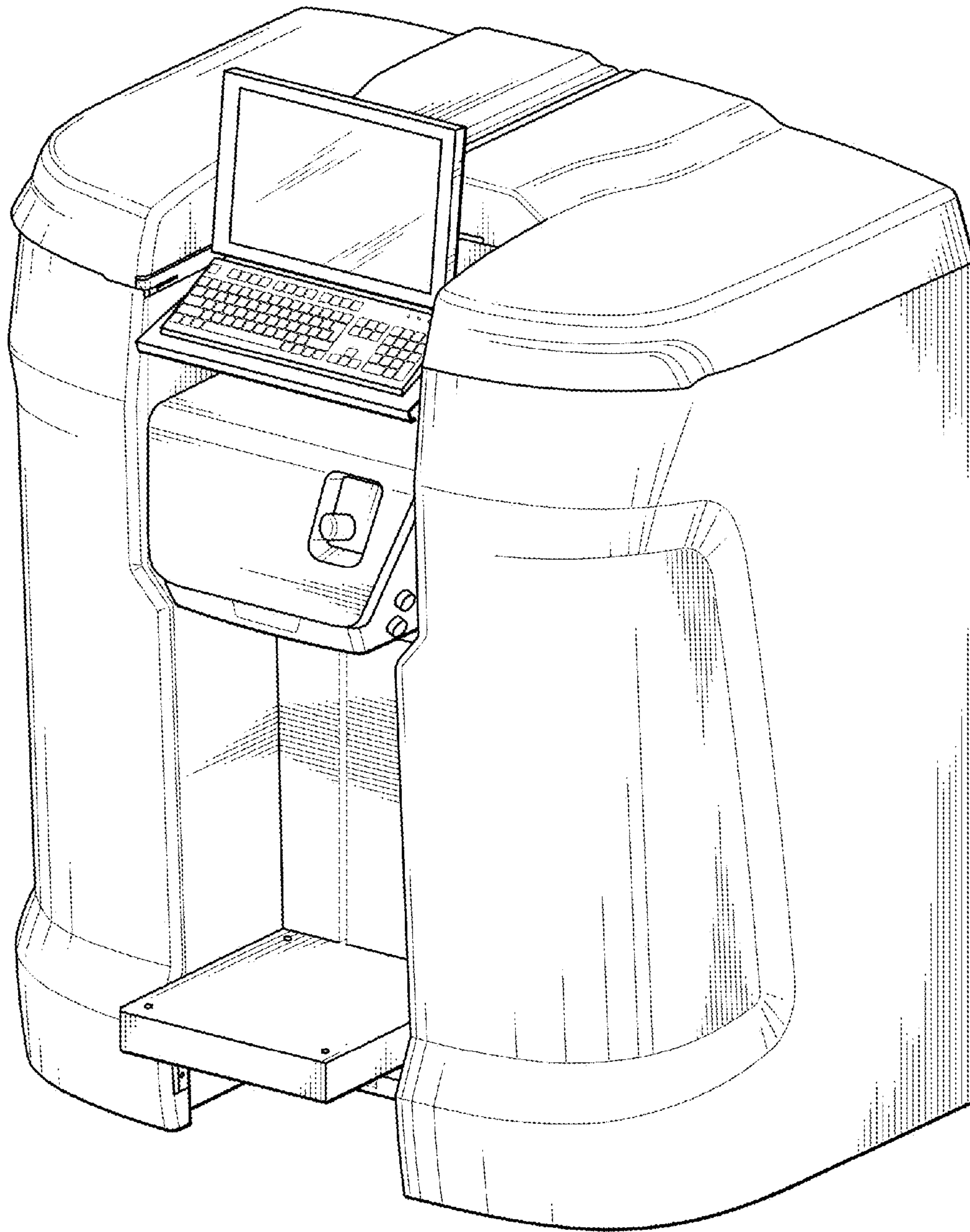


FIG. 1

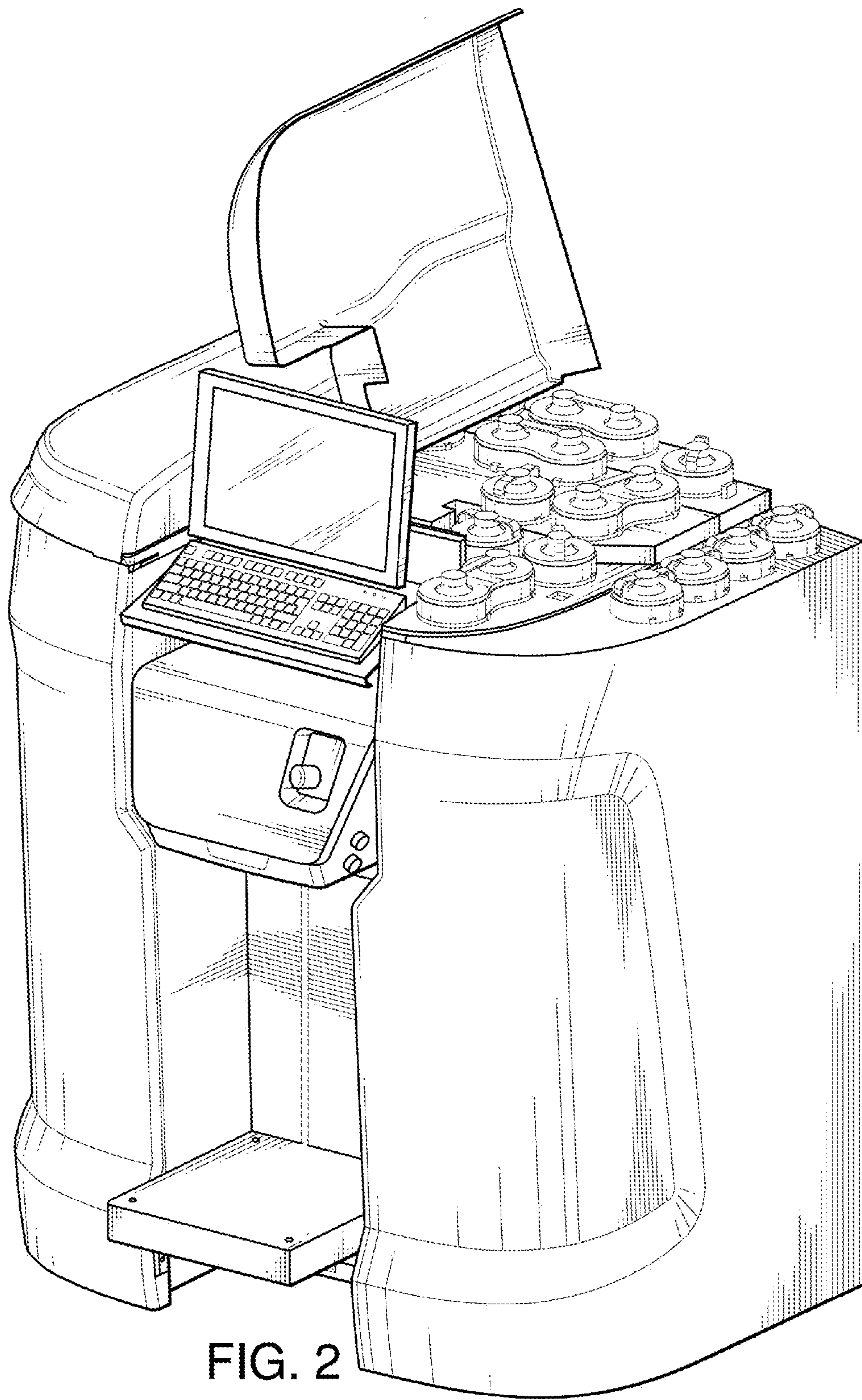


FIG. 2

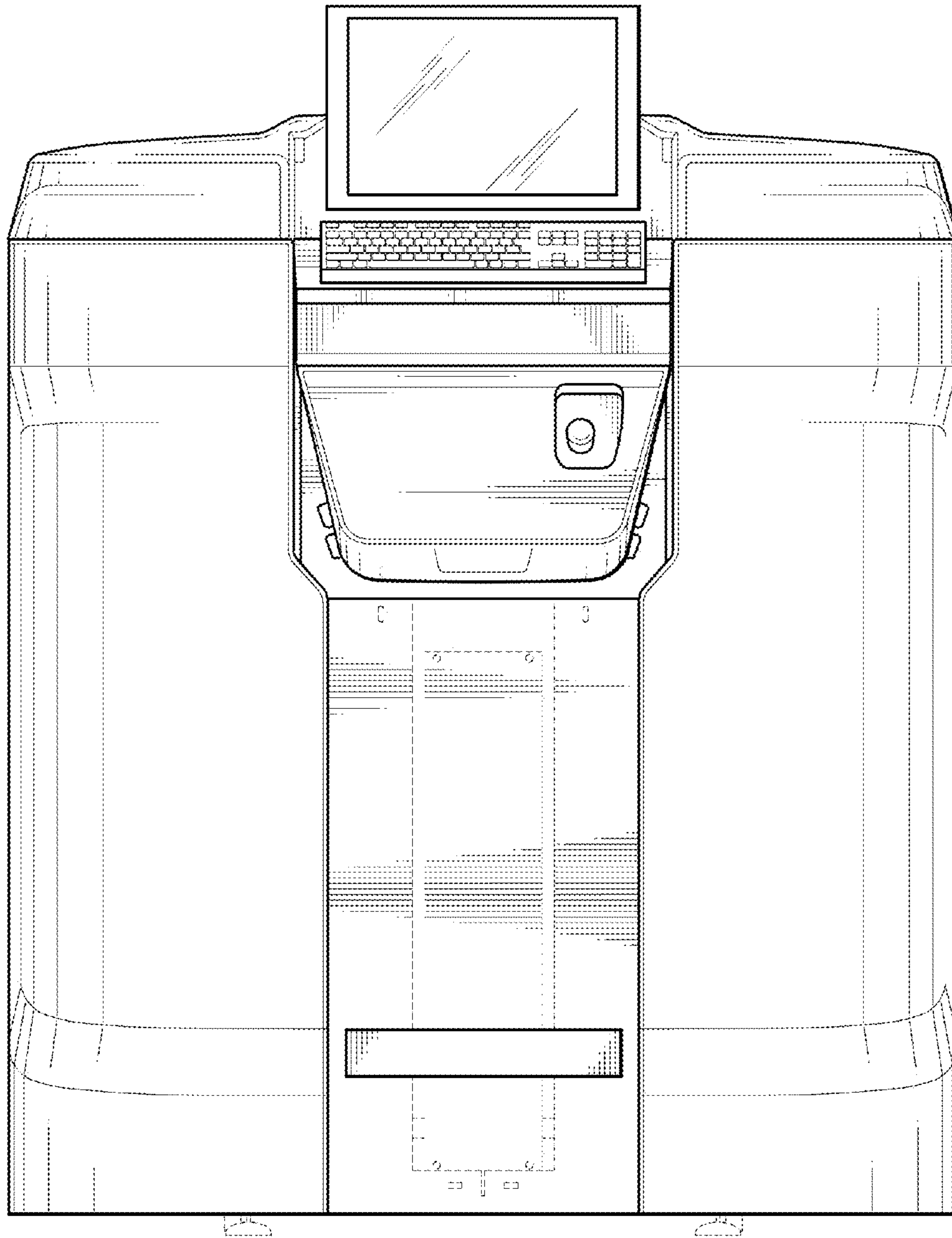


FIG. 3

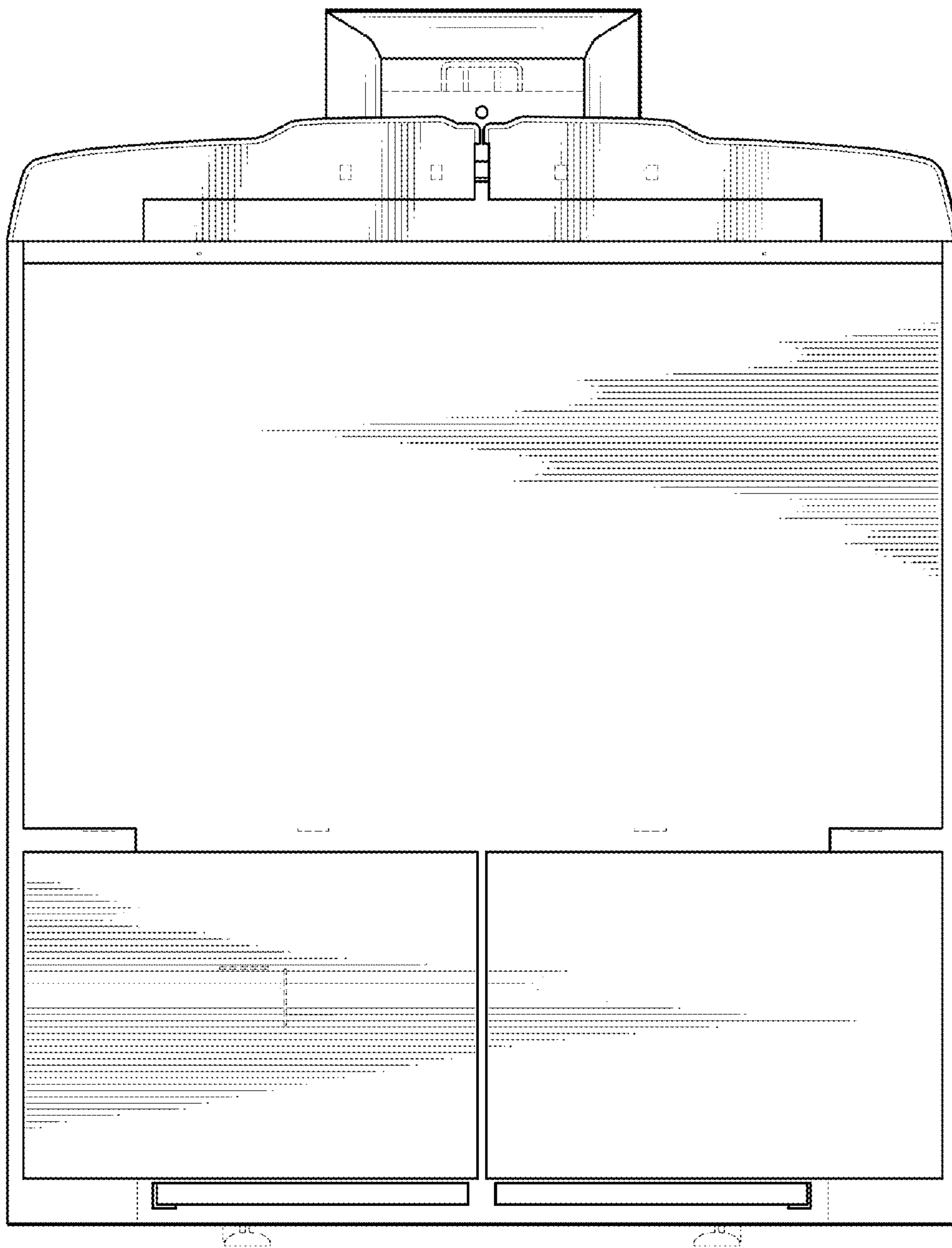


FIG. 4

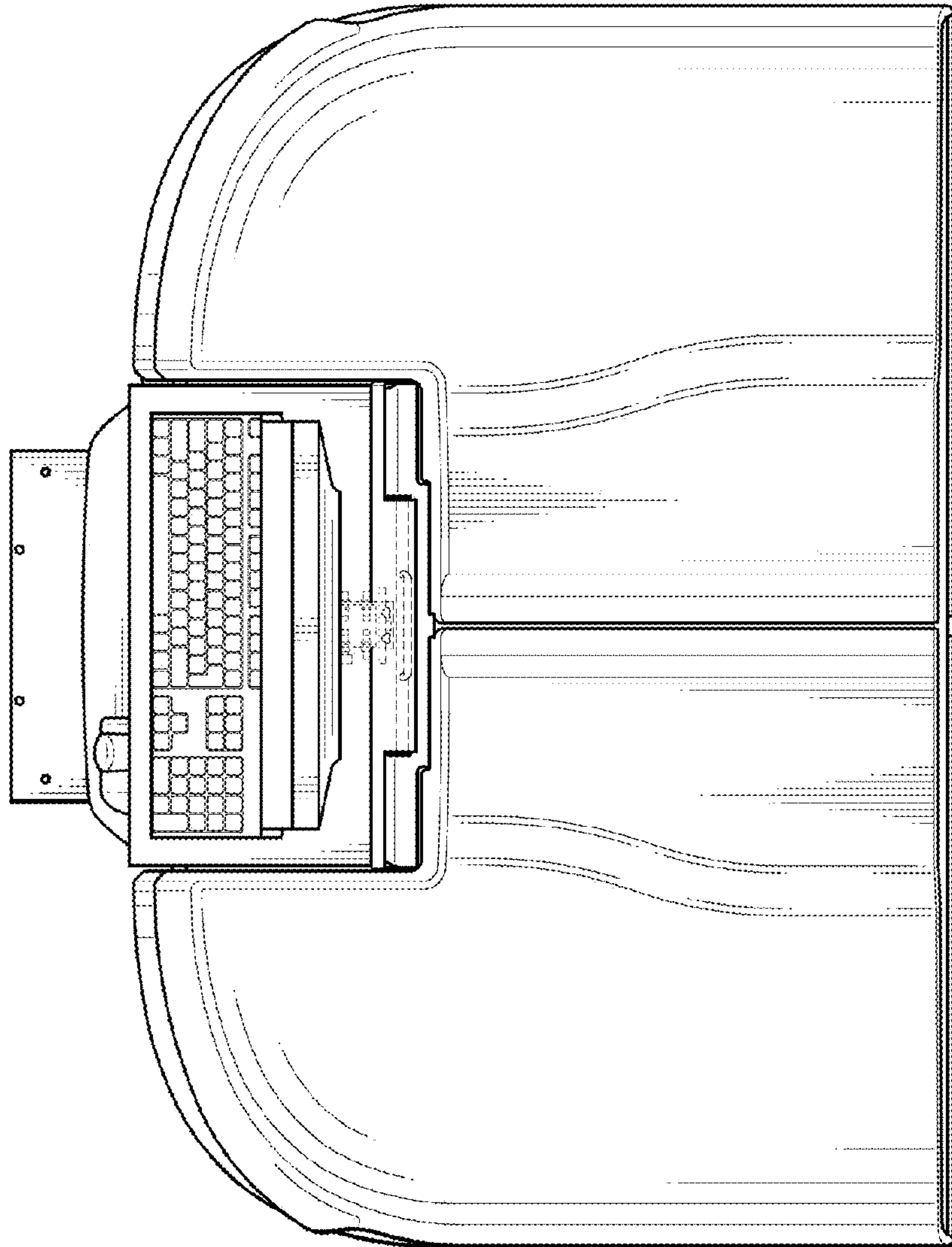


FIG. 5

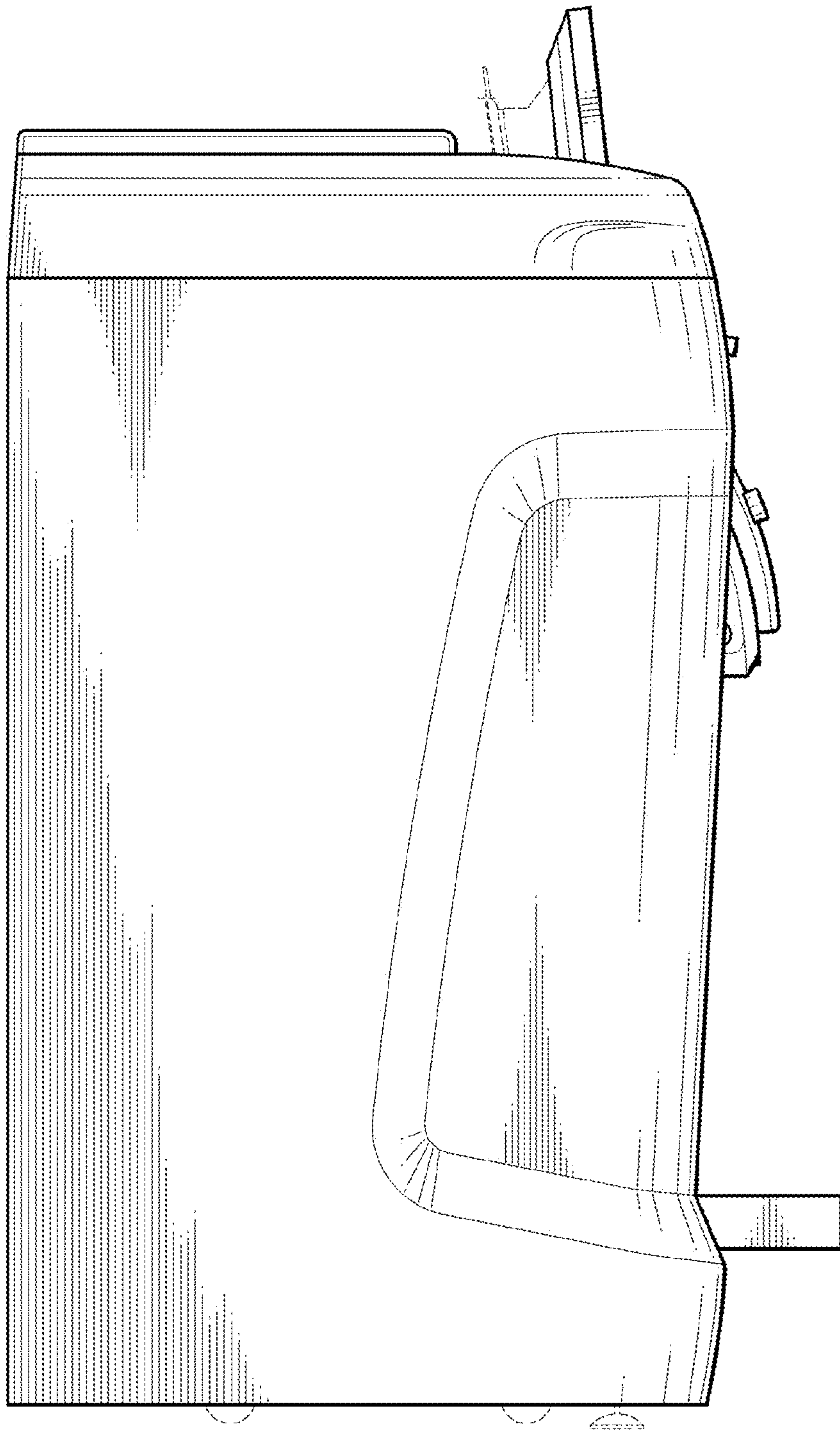


FIG. 6

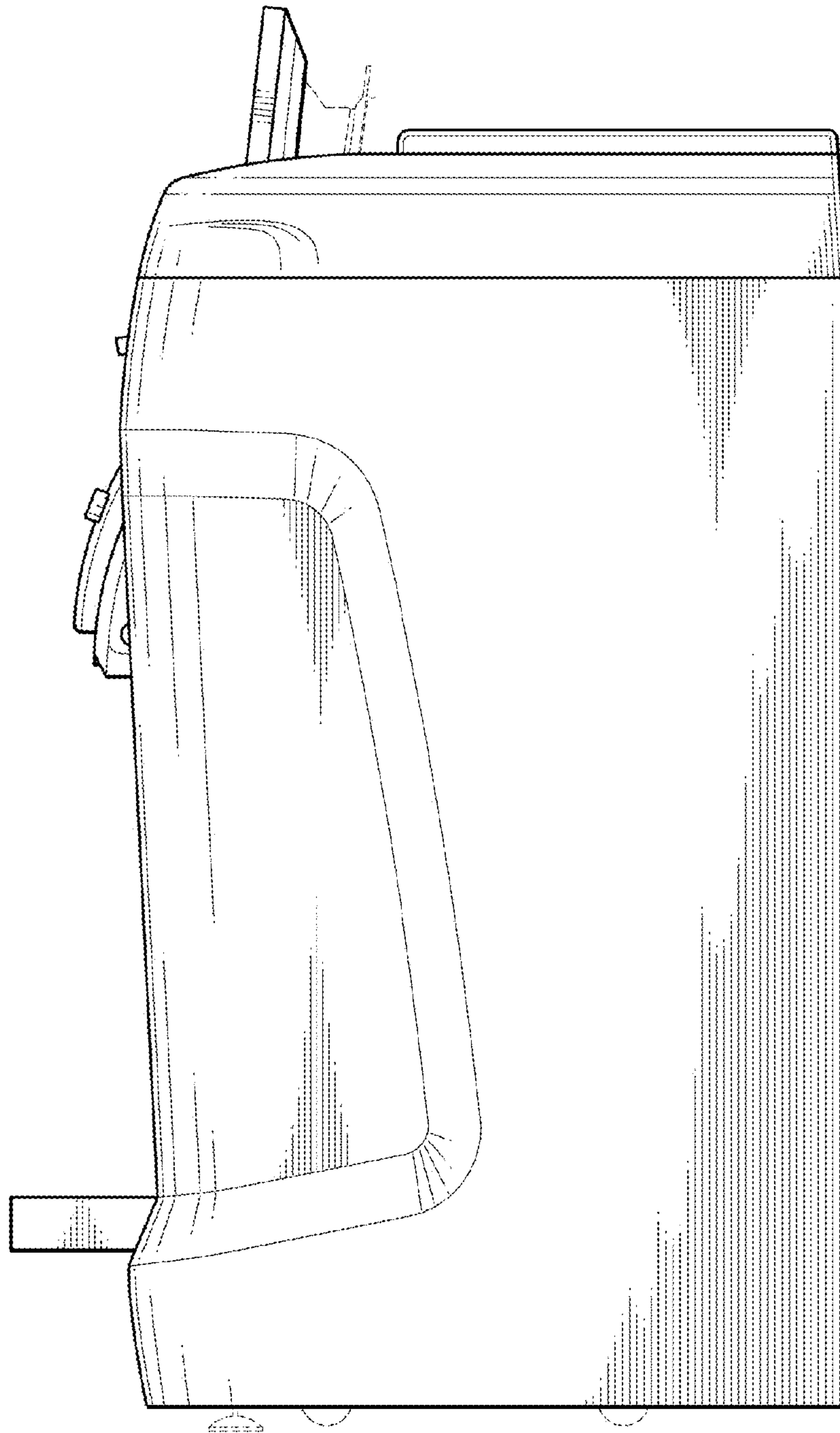


FIG. 7

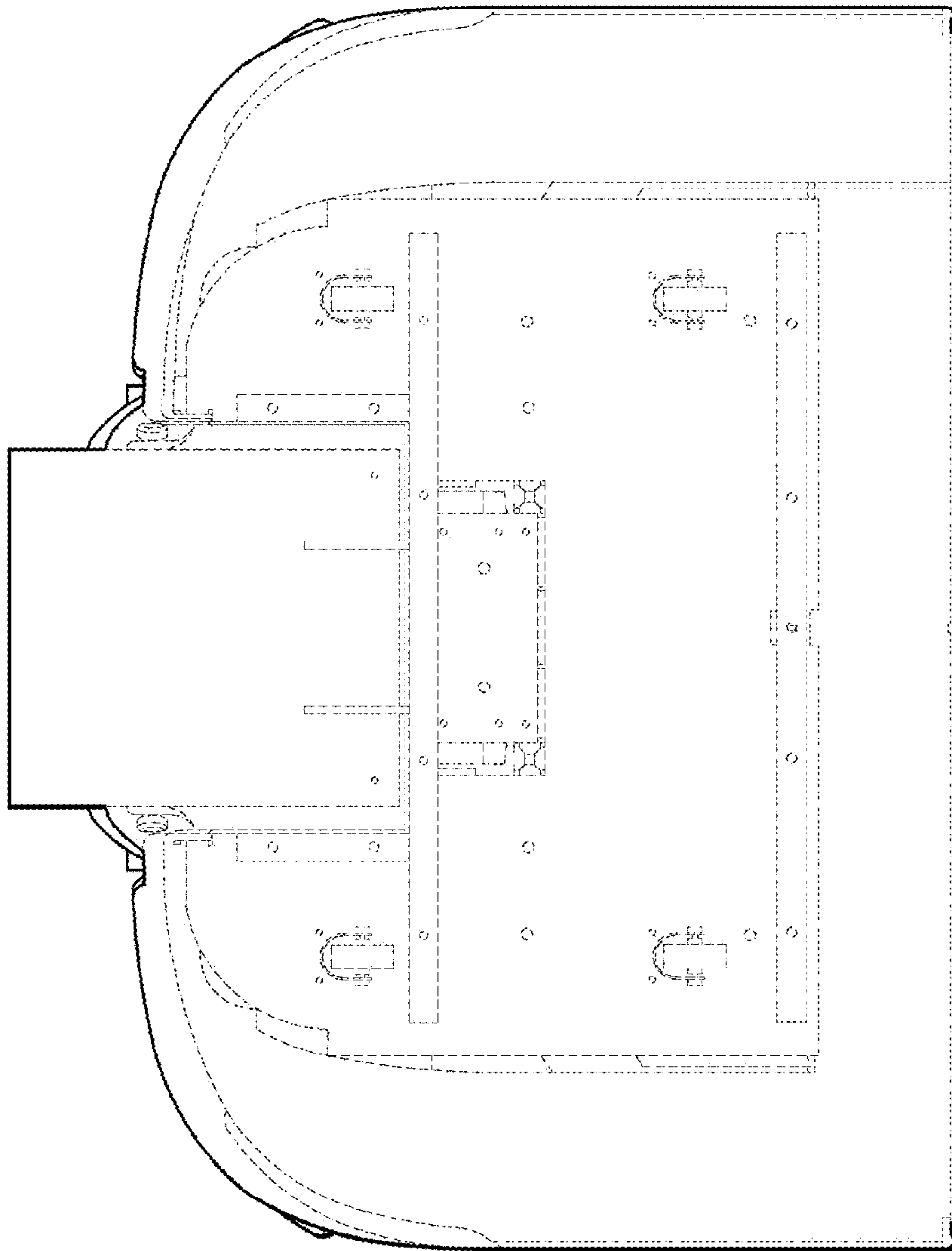


FIG. 8

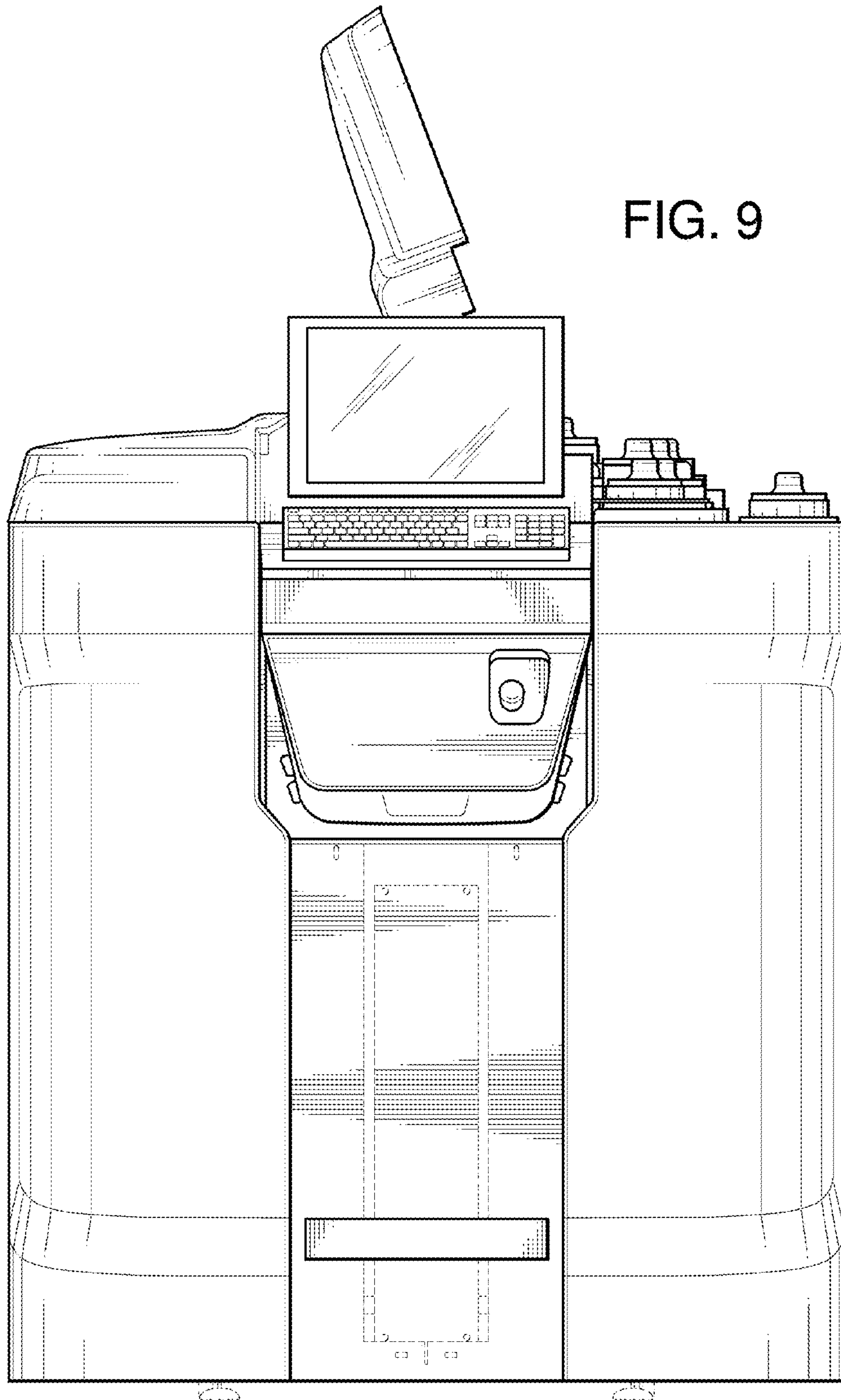


FIG. 9

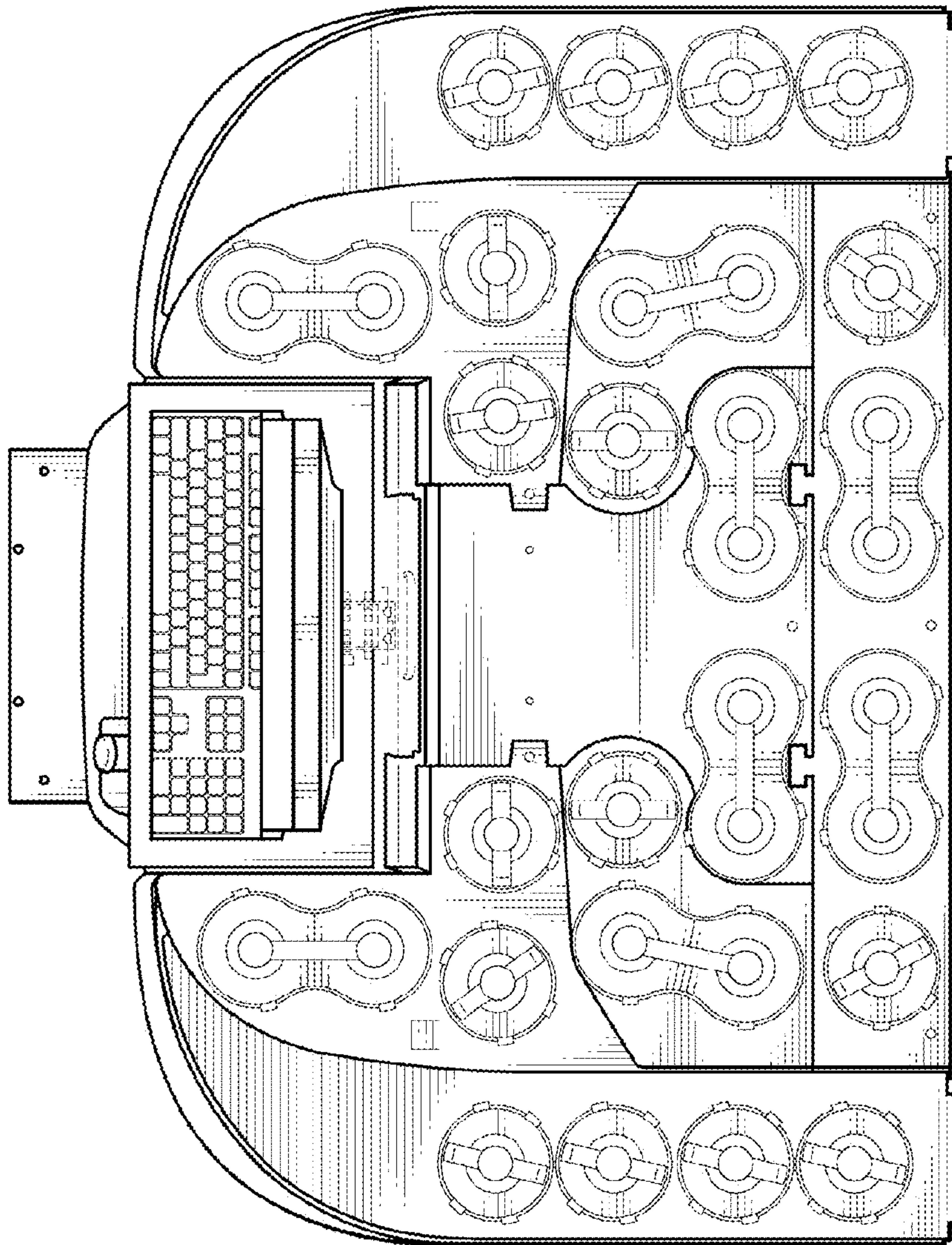


FIG. 10

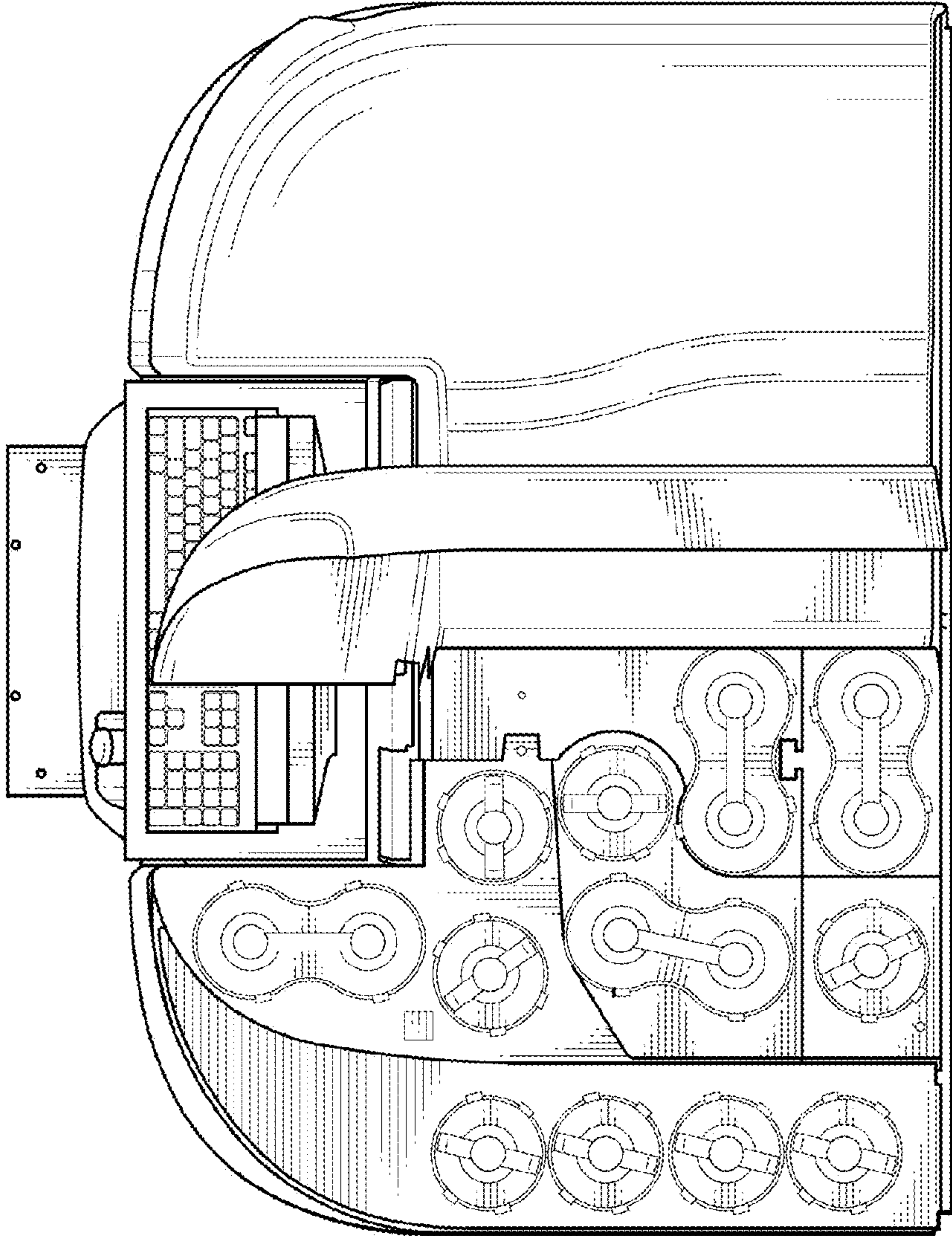


FIG. 11