



US00D684609S

(12) **United States Design Patent**
Seo et al.

(10) **Patent No.:** **US D684,609 S**
(45) **Date of Patent:** **** Jun. 18, 2013**

(54) **REFRIGERATOR**

(75) Inventors: **Woonkyu Seo**, Seoul (KR); **Jungyeon Hwang**, Seoul (KR); **Seonkyu Kim**, Seoul (KR); **Seungjin Yoon**, Gyeonggi-do (KR); **Daesung Lee**, Gyeonggi-do (KR)

(73) Assignee: **LG Electronics Inc.**, Seoul (KR)

(**) Term: **14 Years**

(21) Appl. No.: **29/423,217**

(22) Filed: **May 30, 2012**

(30) **Foreign Application Priority Data**

Dec. 22, 2011 (KR) 30-2011-0054833

(51) **LOC (9) Cl.** **15-07**

(52) **U.S. Cl.**
USPC **D15/86**

(58) **Field of Classification Search**
USPC D15/79-88; 62/3.6, 3.63, 3.64, 293,
62/331, 371, 440-445, 467, 377; 312/112-119,
312/236, 400-408, 138.1, 139.1, 329
See application file for complete search history.

(56) **References Cited**

U.S. PATENT DOCUMENTS

| | | | | | | |
|----------|---|---|---------|-------------|-------|--------|
| D190,453 | S | * | 5/1961 | Munz et al. | | D15/86 |
| D629,021 | S | * | 12/2010 | Cho et al. | | D15/85 |
| D657,805 | S | * | 4/2012 | Cho et al. | | D15/86 |
| D658,215 | S | * | 4/2012 | Seo et al. | | D15/86 |
| D672,375 | S | * | 12/2012 | Lee et al. | | D15/86 |
| D674,415 | S | * | 1/2013 | Lee et al. | | D15/86 |
| D674,418 | S | * | 1/2013 | Seo et al. | | D15/86 |

* cited by examiner

Primary Examiner — Mitchell Siegel

(74) *Attorney, Agent, or Firm* — Morgan, Lewis & Bockius LLP

(57) **CLAIM**

The ornamental design for a refrigerator, as shown and described.

DESCRIPTION

FIG. 1 is a front, right side, perspective view of a refrigerator showing our new design;
FIG. 2 is a front view thereof;
FIG. 3 is a rear view thereof;
FIG. 4 is a left side view thereof;
FIG. 5 is a right side view thereof;
FIG. 6 is a top view thereof; and,
FIG. 7 is a bottom view thereof.

1 Claim, 7 Drawing Sheets

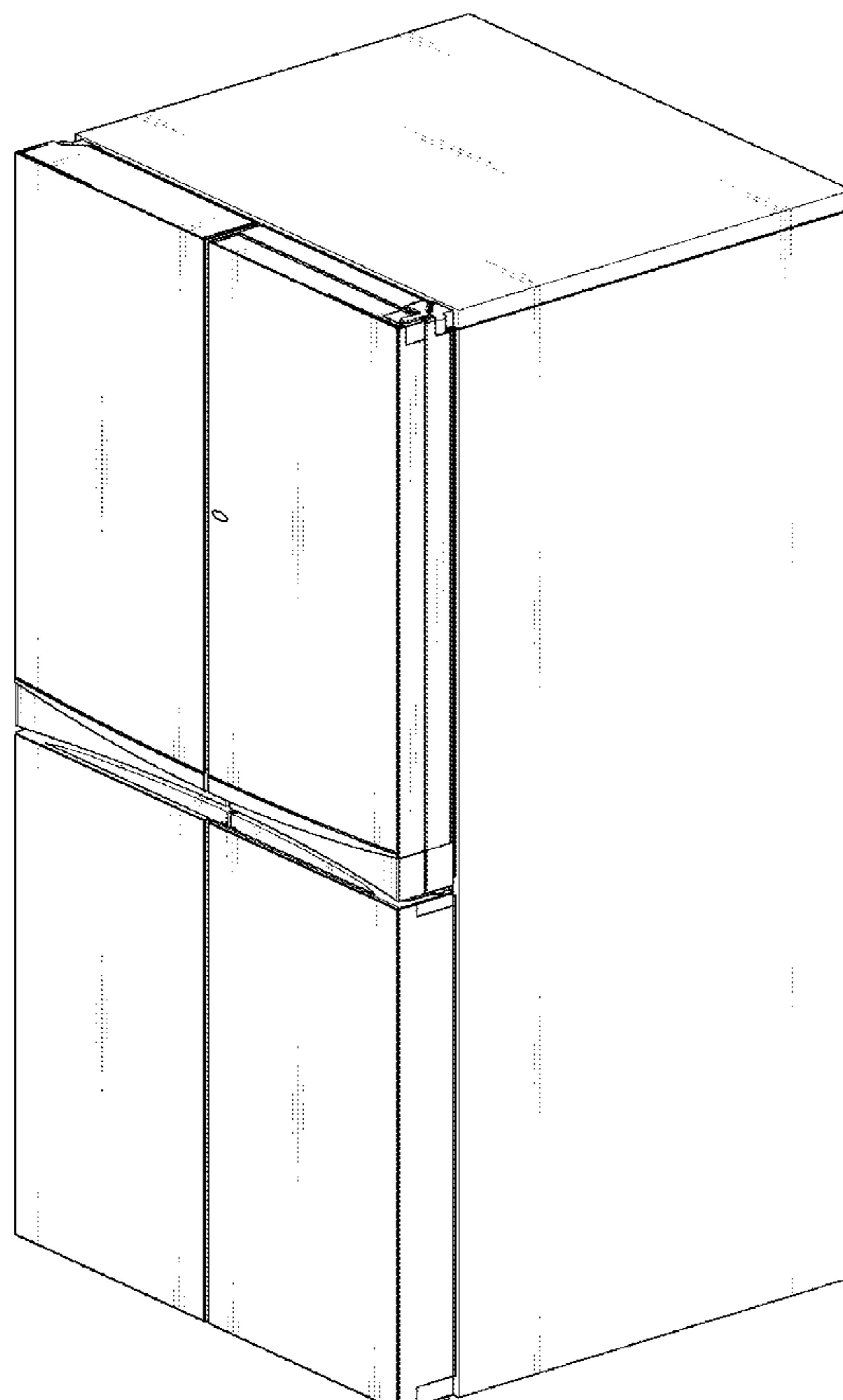


FIG. 1

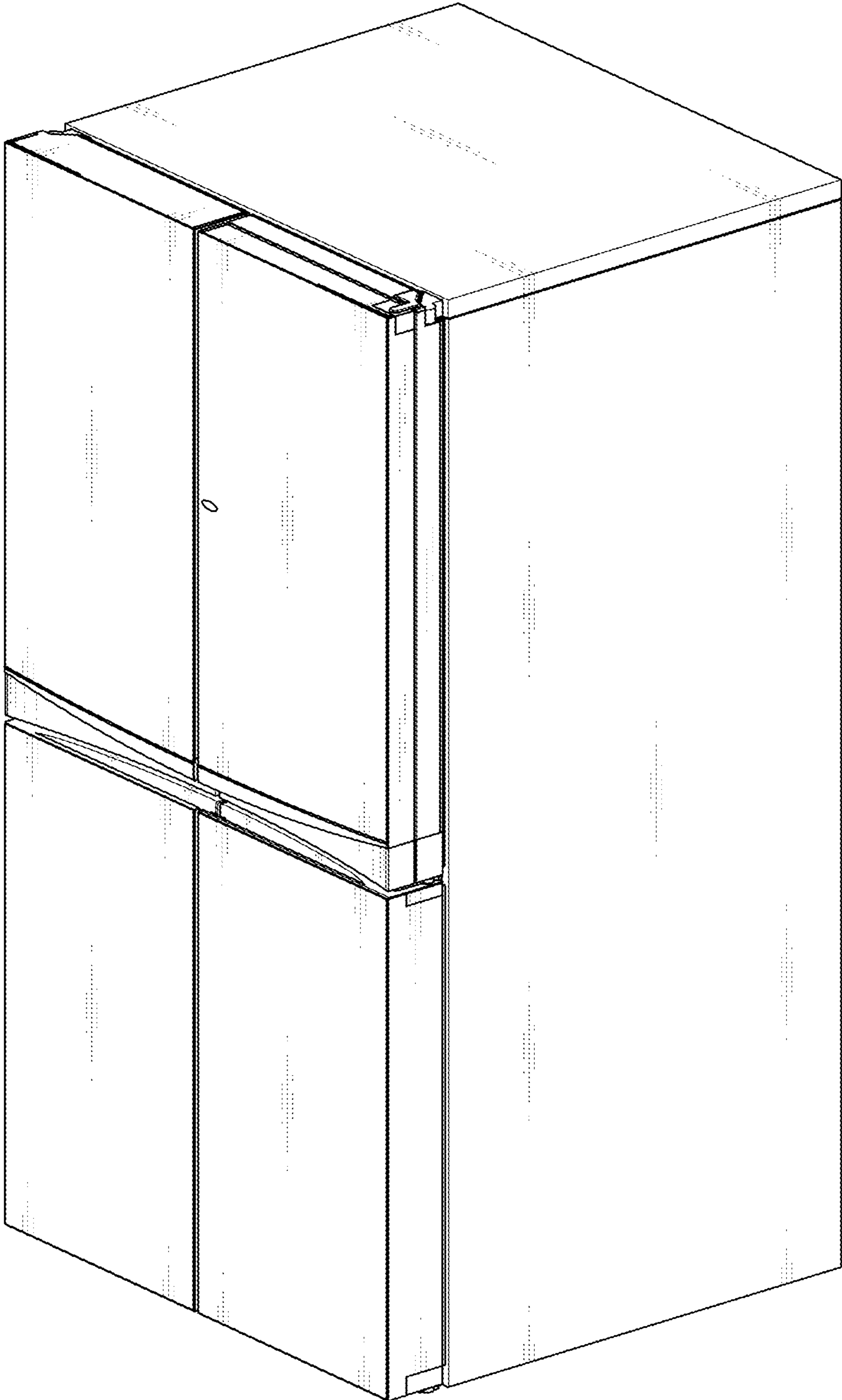


FIG. 2

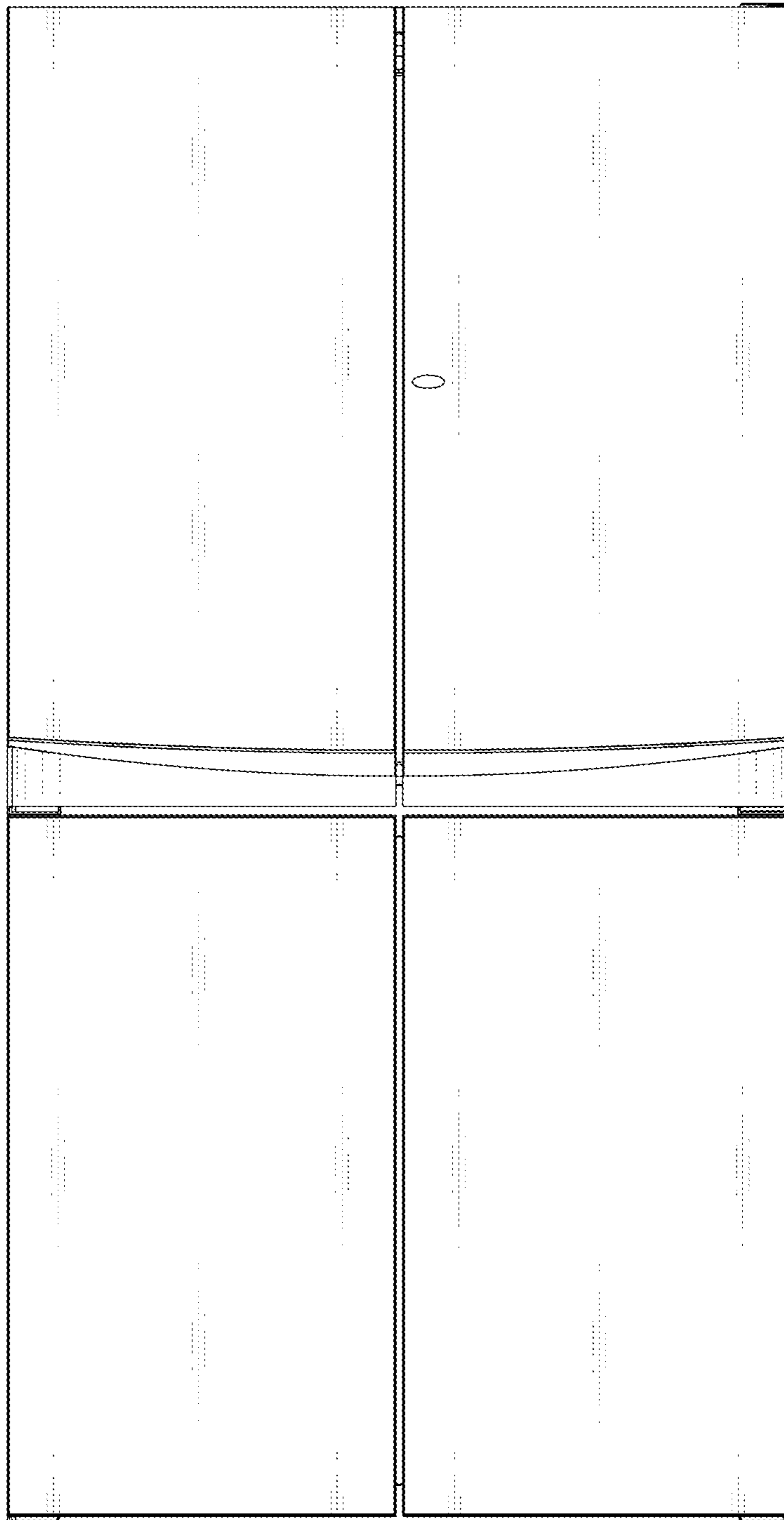


FIG. 3

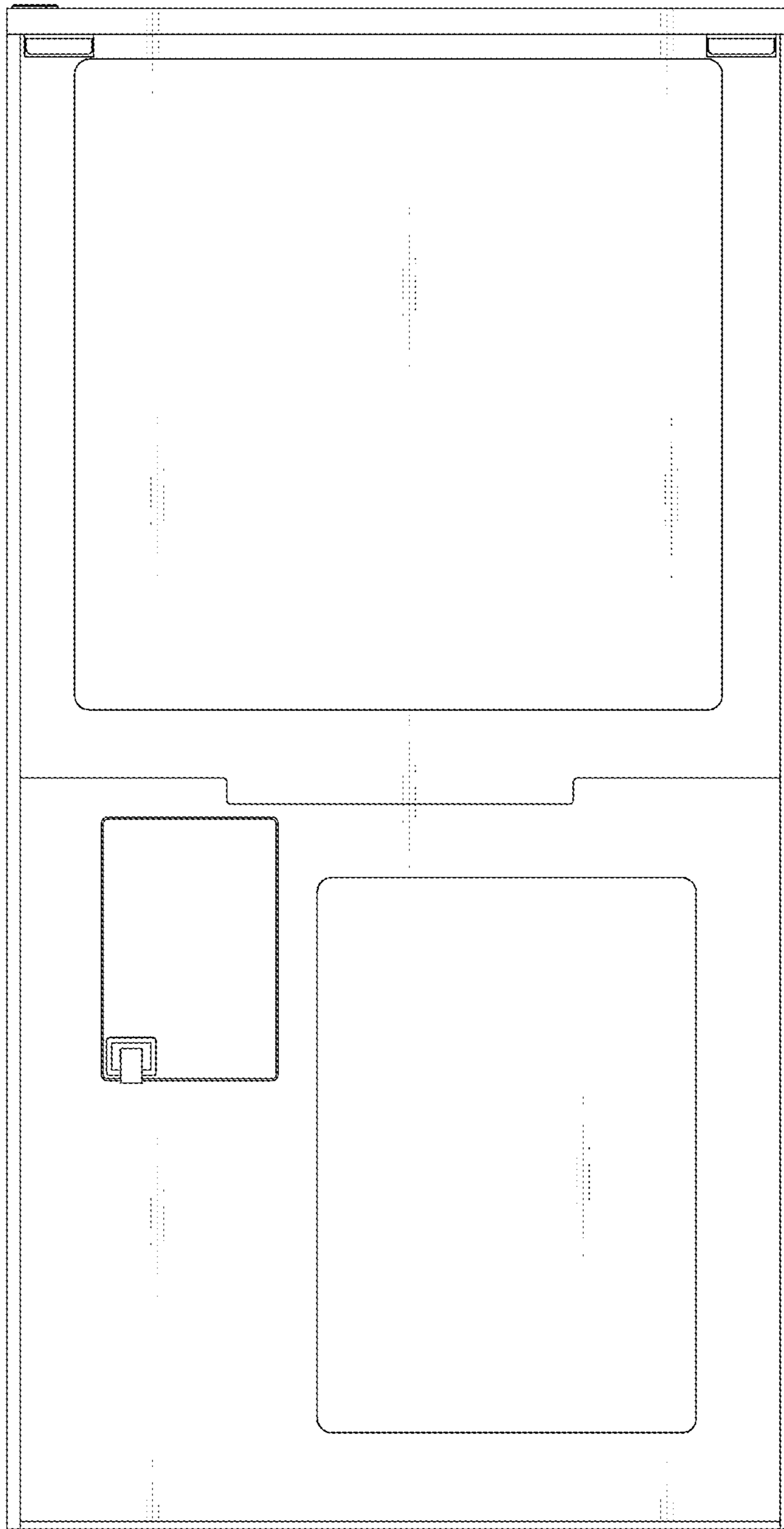


FIG. 4

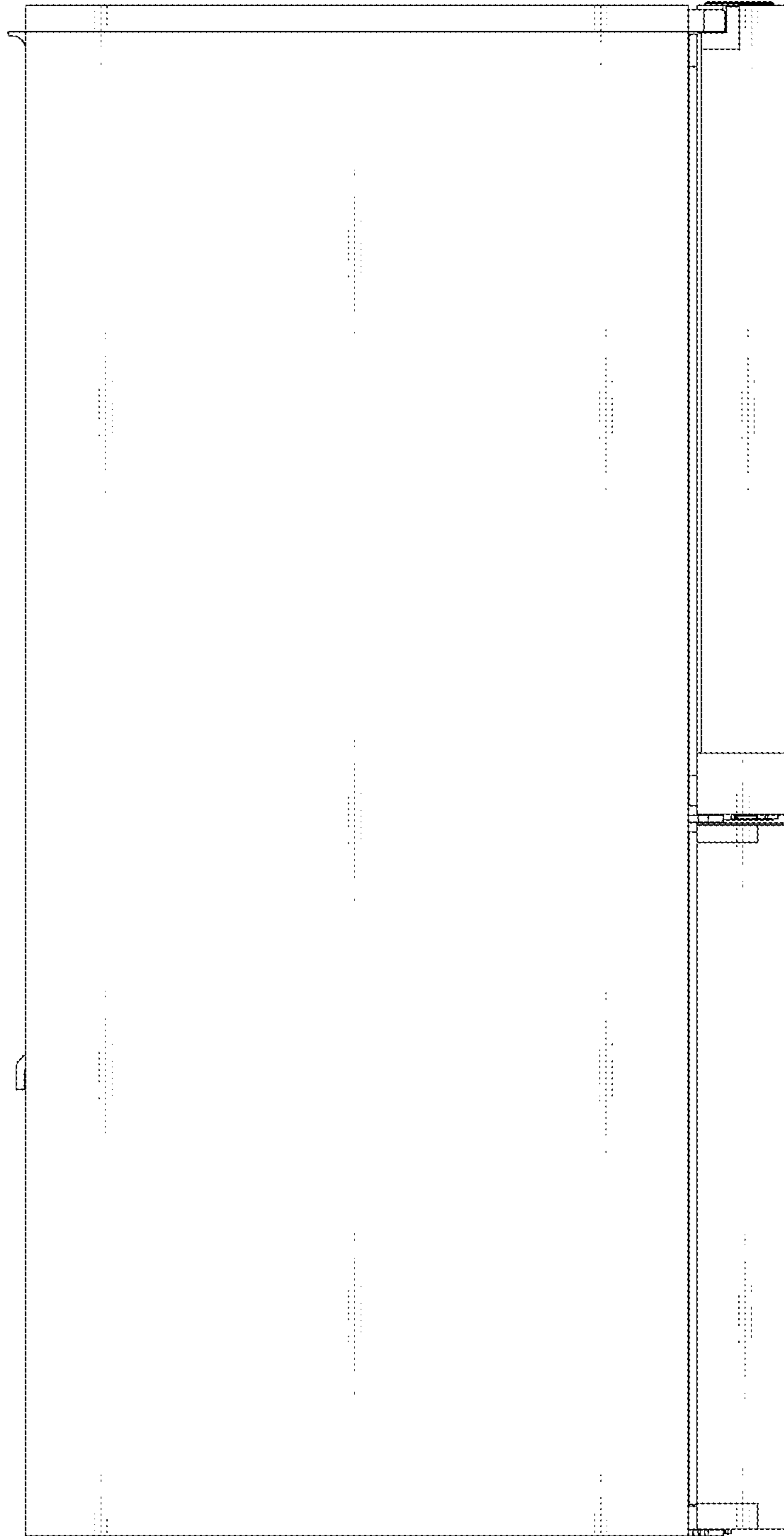


FIG. 5

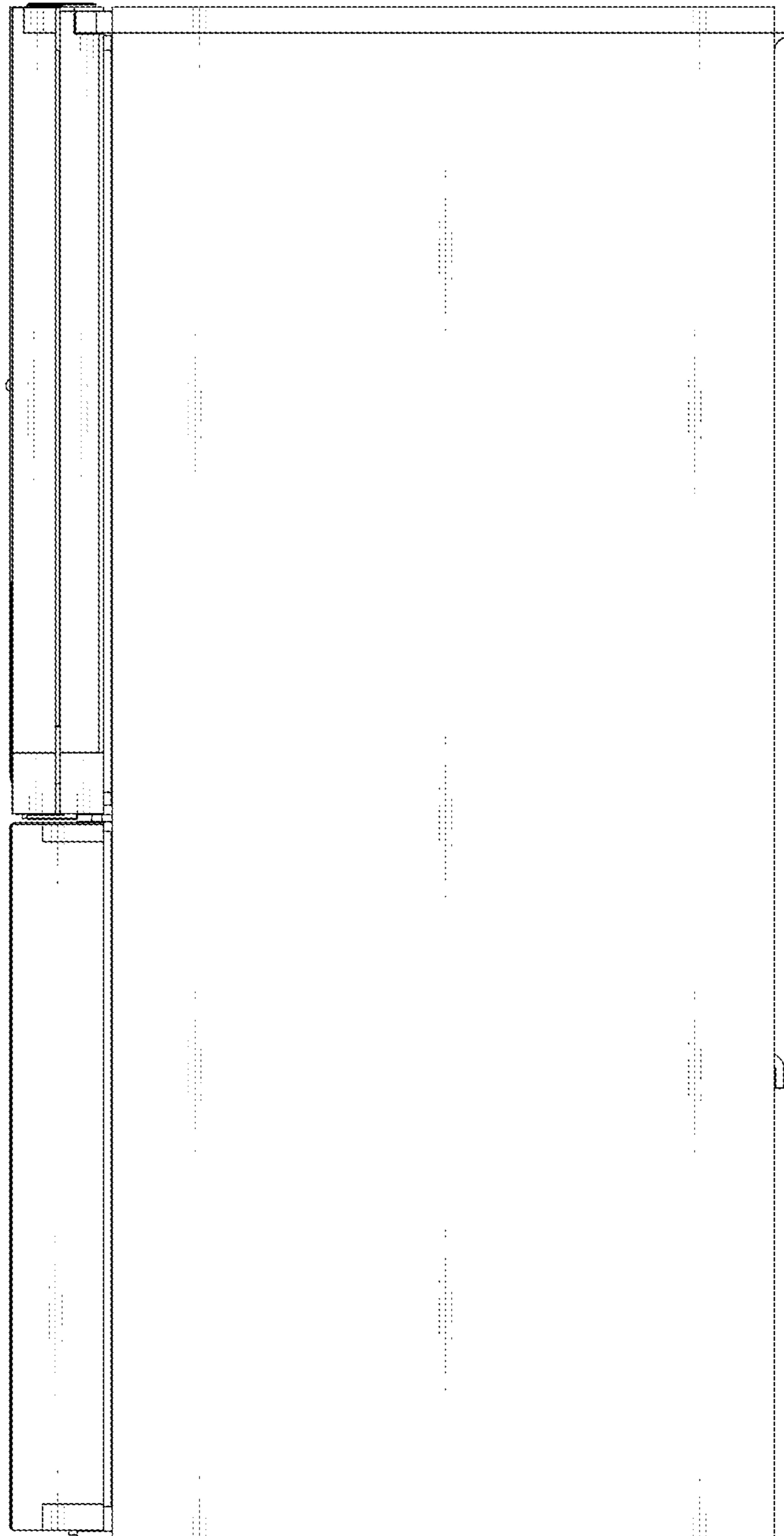


FIG. 6

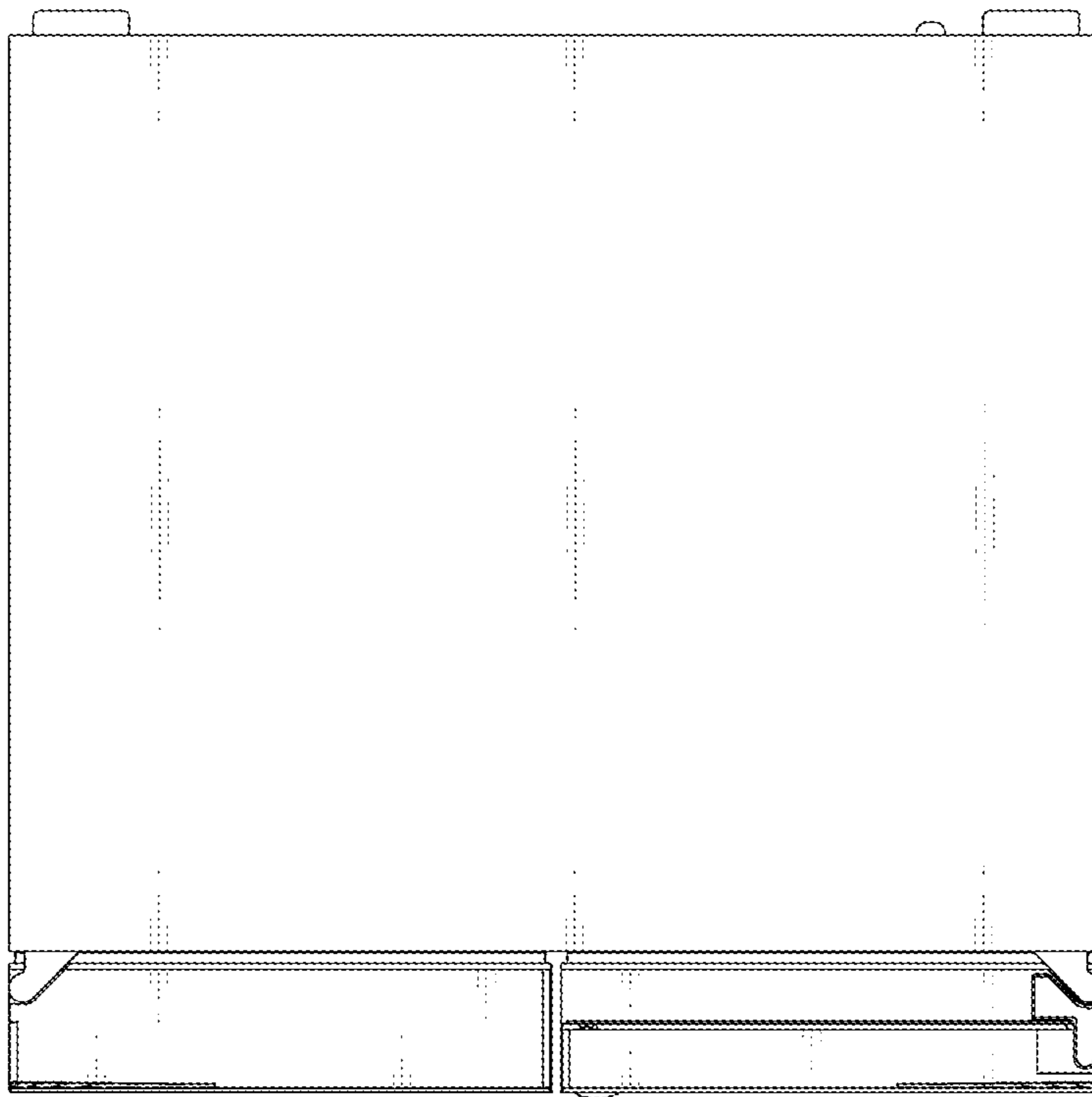


FIG. 7

