



US00D684607S

(12) **United States Design Patent**
Hagura et al.

(10) **Patent No.:** **US D684,607 S**
(45) **Date of Patent:** **** Jun. 18, 2013**

(54) **OPERATOR CAB FOR CONSTRUCTION MACHINE**

(71) Applicant: **Hitachi Construction Machinery Co., Ltd., Tokyo (JP)**

(72) Inventors: **Shigehisa Hagura, Akishima (JP); Tomoyuki Miyata, Kodaira (JP); Tomoyuki Tanaka, Yasu (JP); Naoki Takeoka, Maibara (JP)**

(73) Assignee: **Hitachi Construction Machinery Co., Ltd., Tokyo (JP)**

(**) Term: **14 Years**

(21) Appl. No.: **29/436,716**

(22) Filed: **Nov. 8, 2012**

(30) **Foreign Application Priority Data**

May 10, 2012 (JP) 2012-010871

(51) **LOC (9) Cl.** **15-03**

(52) **U.S. Cl.**
USPC **D15/30**

(58) **Field of Classification Search**
USPC D15/10, 22-26, 28, 30, 31; 180/89.11,
180/89.12, 89.13, 89.19, 900; 296/190.01,
296/190.08, 210, 190, 202
See application file for complete search history.

(56) **References Cited**

U.S. PATENT DOCUMENTS

D249,523 S *	9/1978	Segales	D15/30
D273,494 S *	4/1984	Hurlburt et al.	D15/30
D275,199 S *	8/1984	Schmidt et al.	D15/30
D288,206 S *	2/1987	Moscovitch	D15/30
D292,632 S *	11/1987	Lich	D34/37
D323,659 S *	2/1992	Jacobsson	D15/30
D348,270 S *	6/1994	Lehmann-Brendel et al.	D15/30

D366,267 S *	1/1996	Lepoix	D15/30
D463,462 S *	9/2002	Yanagida et al.	D15/30
D479,536 S *	9/2003	Dahl et al.	D15/30
D497,920 S *	11/2004	Antonetti	D15/30
D523,029 S *	6/2006	Crawford et al.	D15/30
D528,134 S *	9/2006	Vandendriessche et al. ..	D15/30
D531,647 S *	11/2006	Stender et al.	D15/30
D541,825 S *	5/2007	Pettersson	D15/30
D541,826 S *	5/2007	Brush et al.	D15/30
D561,205 S *	2/2008	Pettersson	D15/30
D579,028 S *	10/2008	VanDeVeer et al.	D15/30
D605,207 S *	12/2009	Menges et al.	D15/30
D614,674 S *	4/2010	Hobenshield et al.	D15/30
D635,156 S *	3/2011	Berning et al.	D15/30
D636,795 S *	4/2011	Yamamoto et al.	D15/30
D637,630 S *	5/2011	Yamamoto et al.	D15/30
D642,205 S *	7/2011	Yamamoto et al.	D15/30

FOREIGN PATENT DOCUMENTS

KR D 30-0505489 S 9/2008

* cited by examiner

Primary Examiner — Mark Goodwin

(74) *Attorney, Agent, or Firm* — Antonelli, Terry, Stout & Kraus, LLP.

(57) **CLAIM**

We claim the ornamental design for an operator cab for construction machine, as shown.

DESCRIPTION

FIG. 1 is a front, top and left side perspective view of an operator cab for construction machine showing our new design;

FIG. 2 is a front elevational view thereof;

FIG. 3 is a rear elevational view thereof;

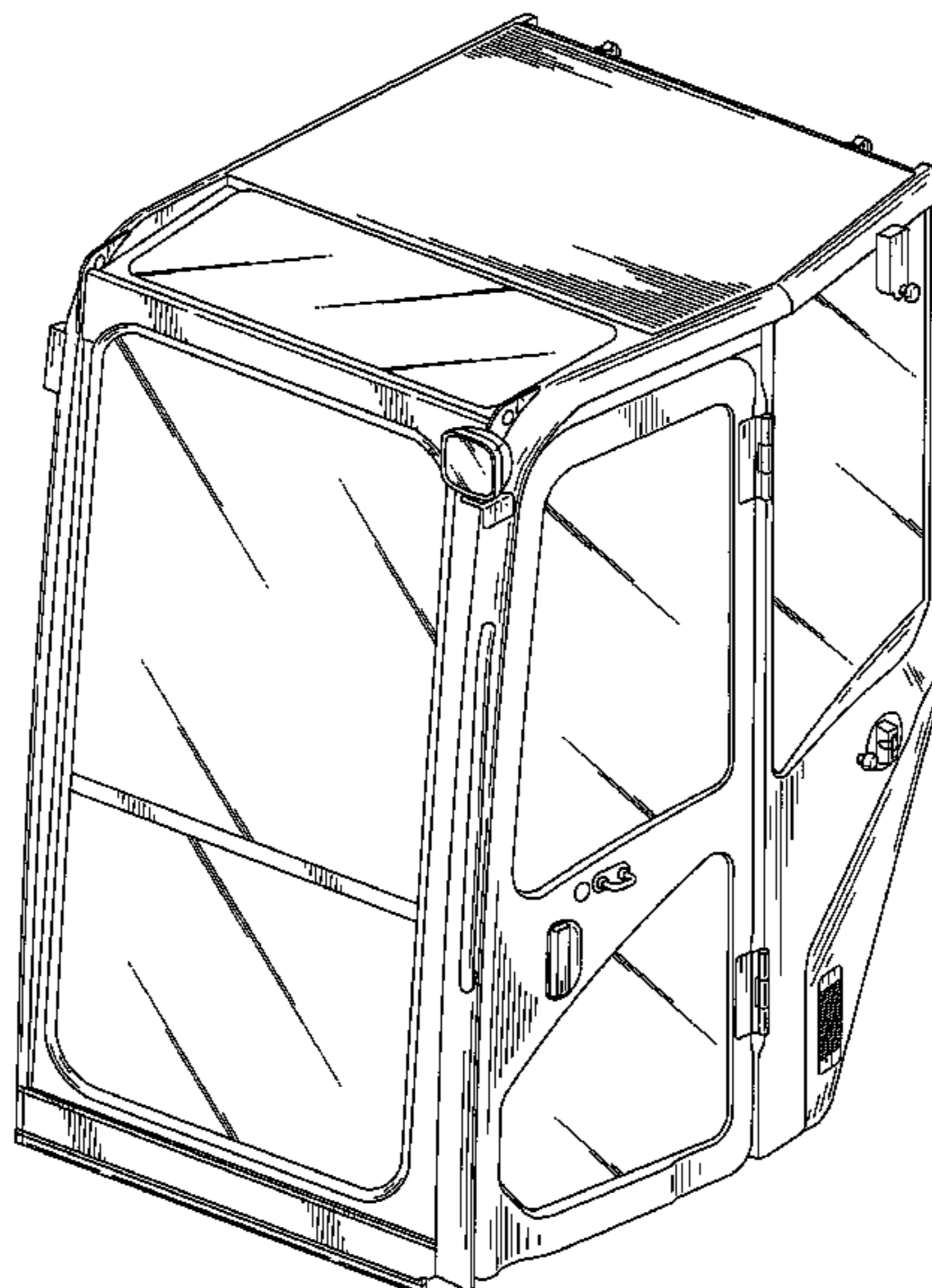
FIG. 4 is a left side elevational view thereof;

FIG. 5 is a right side elevational view thereof;

FIG. 6 is a top plan view thereof; and,

FIG. 7 is a bottom plan view thereof.

1 Claim, 7 Drawing Sheets



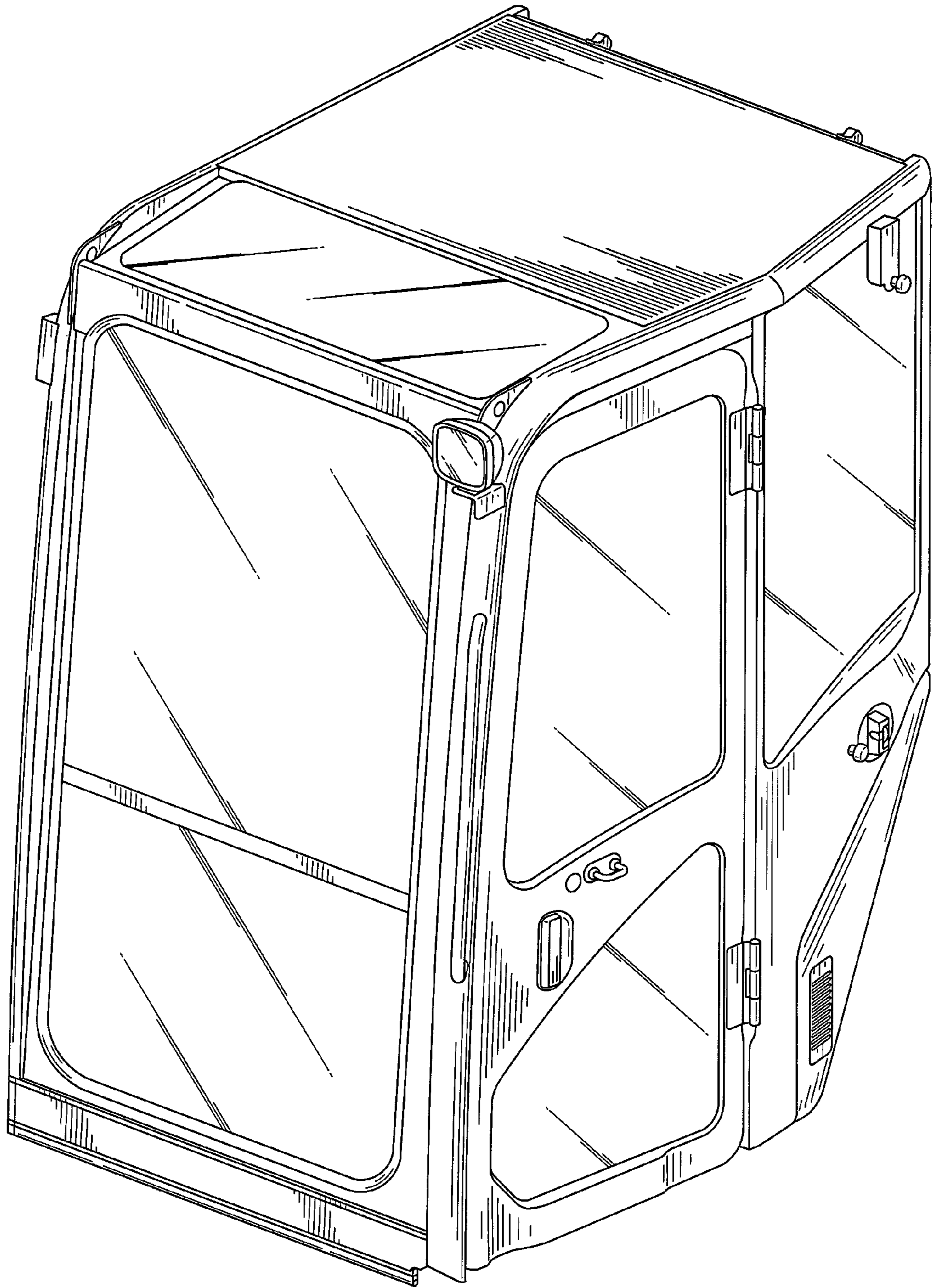


FIG. 1

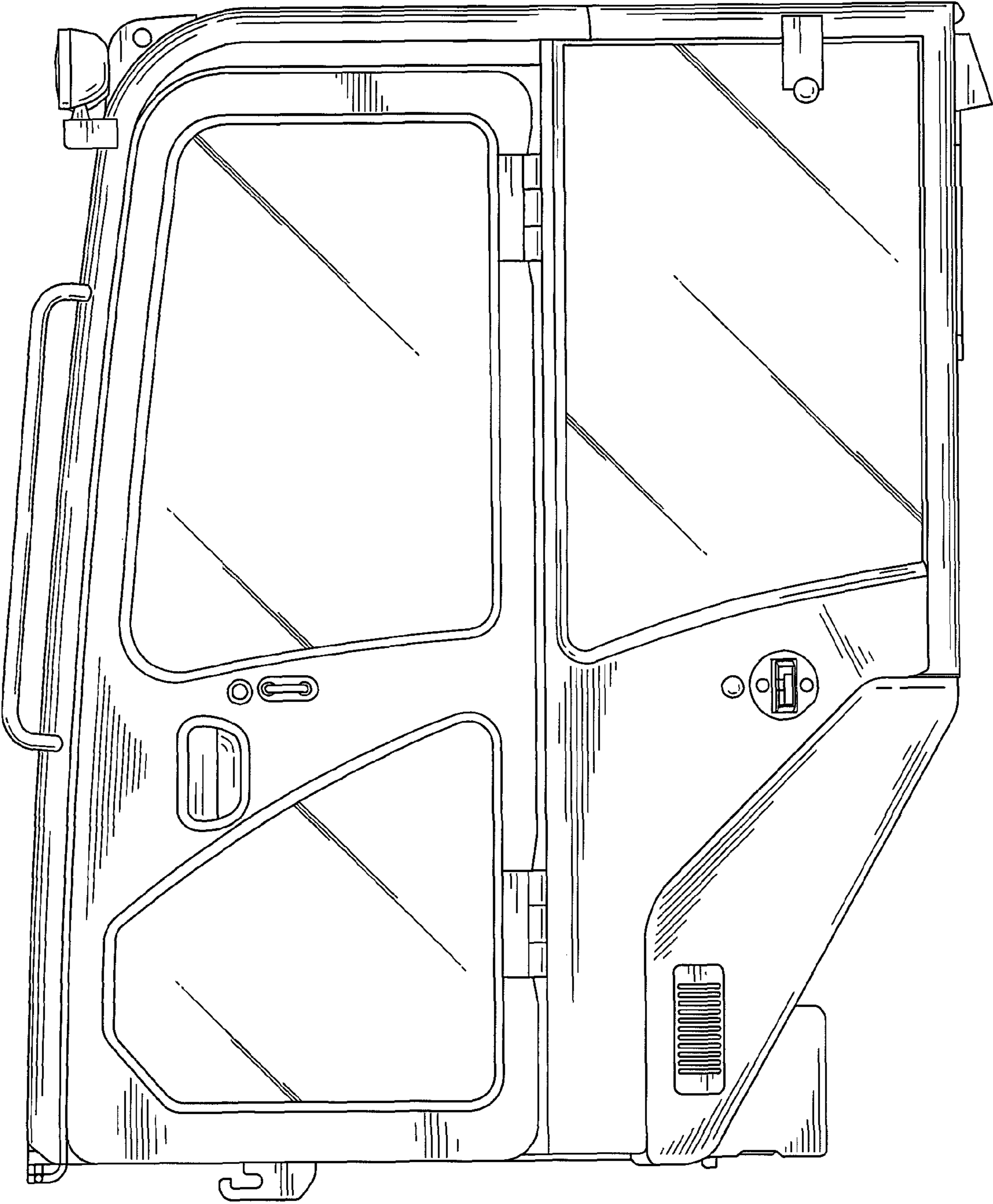


FIG. 2

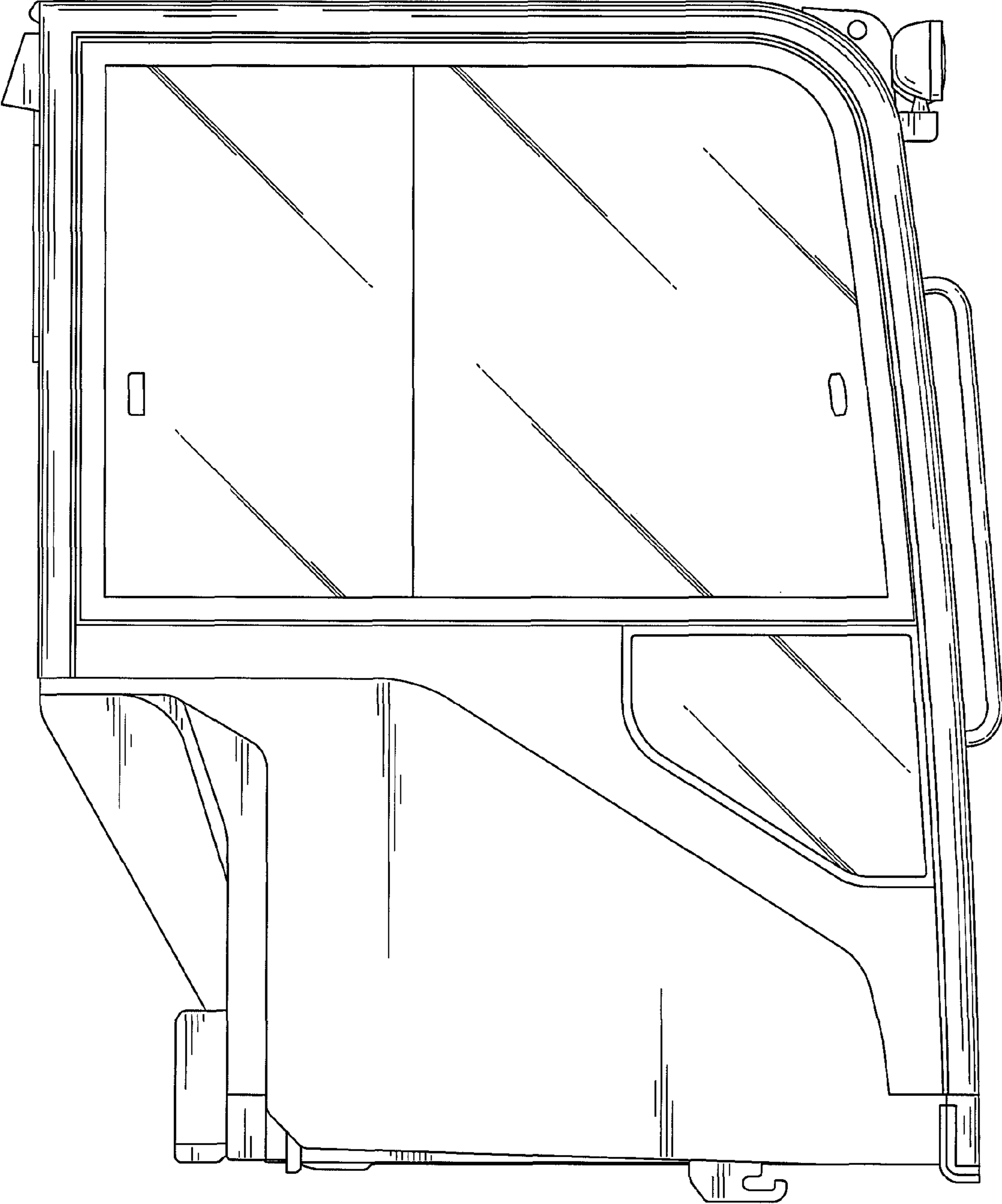


FIG. 3

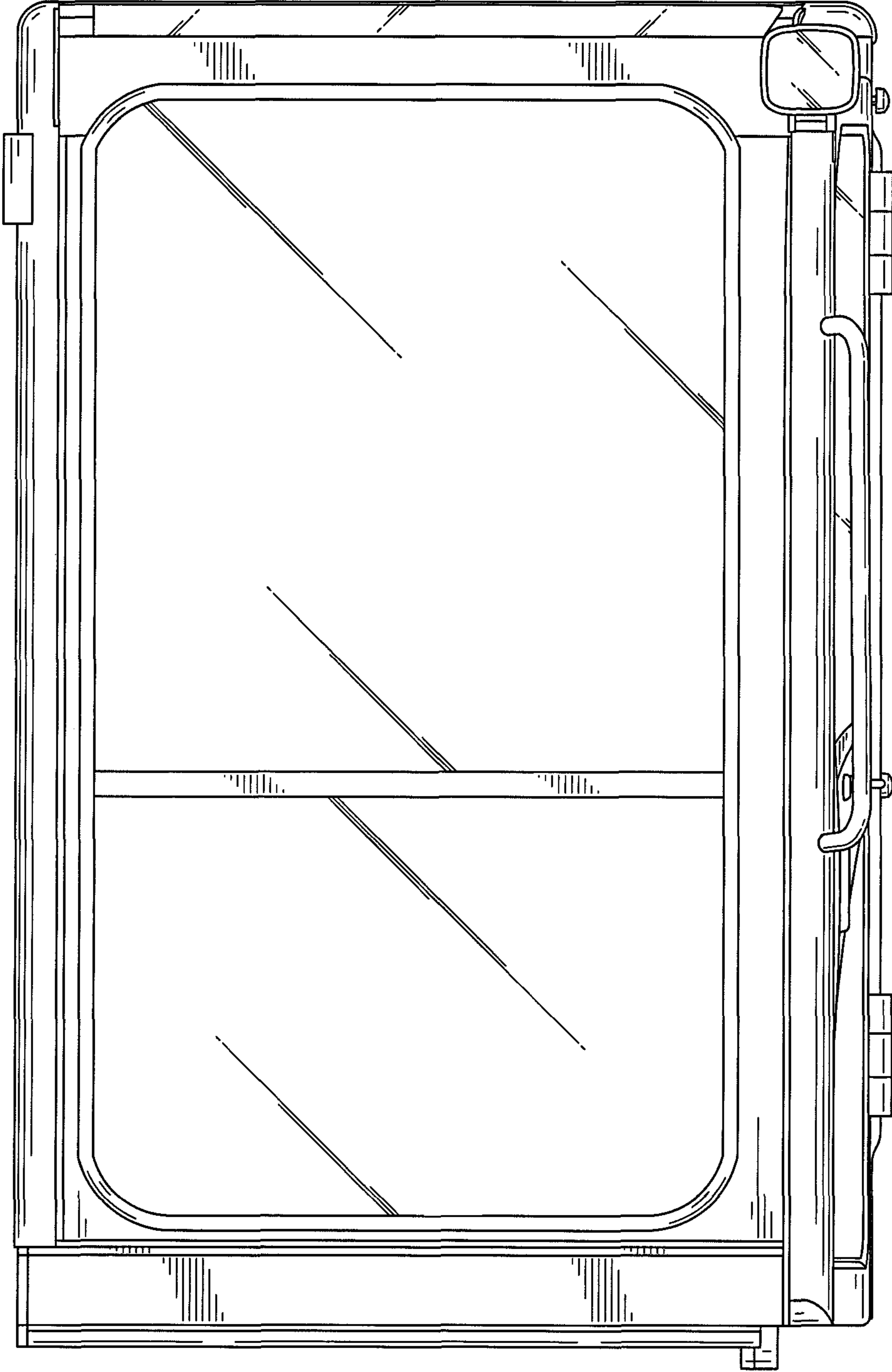


FIG. 4

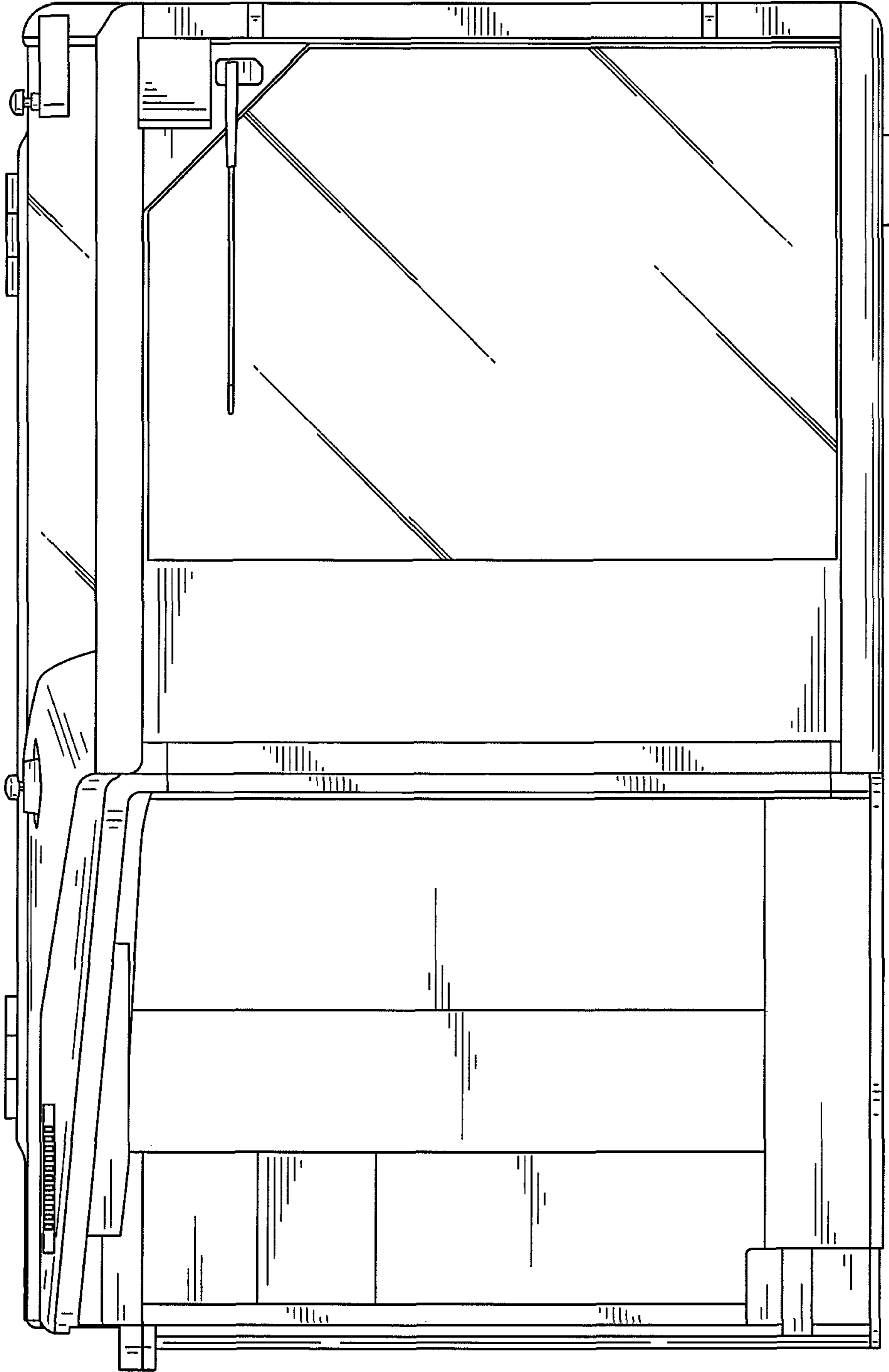


FIG. 5

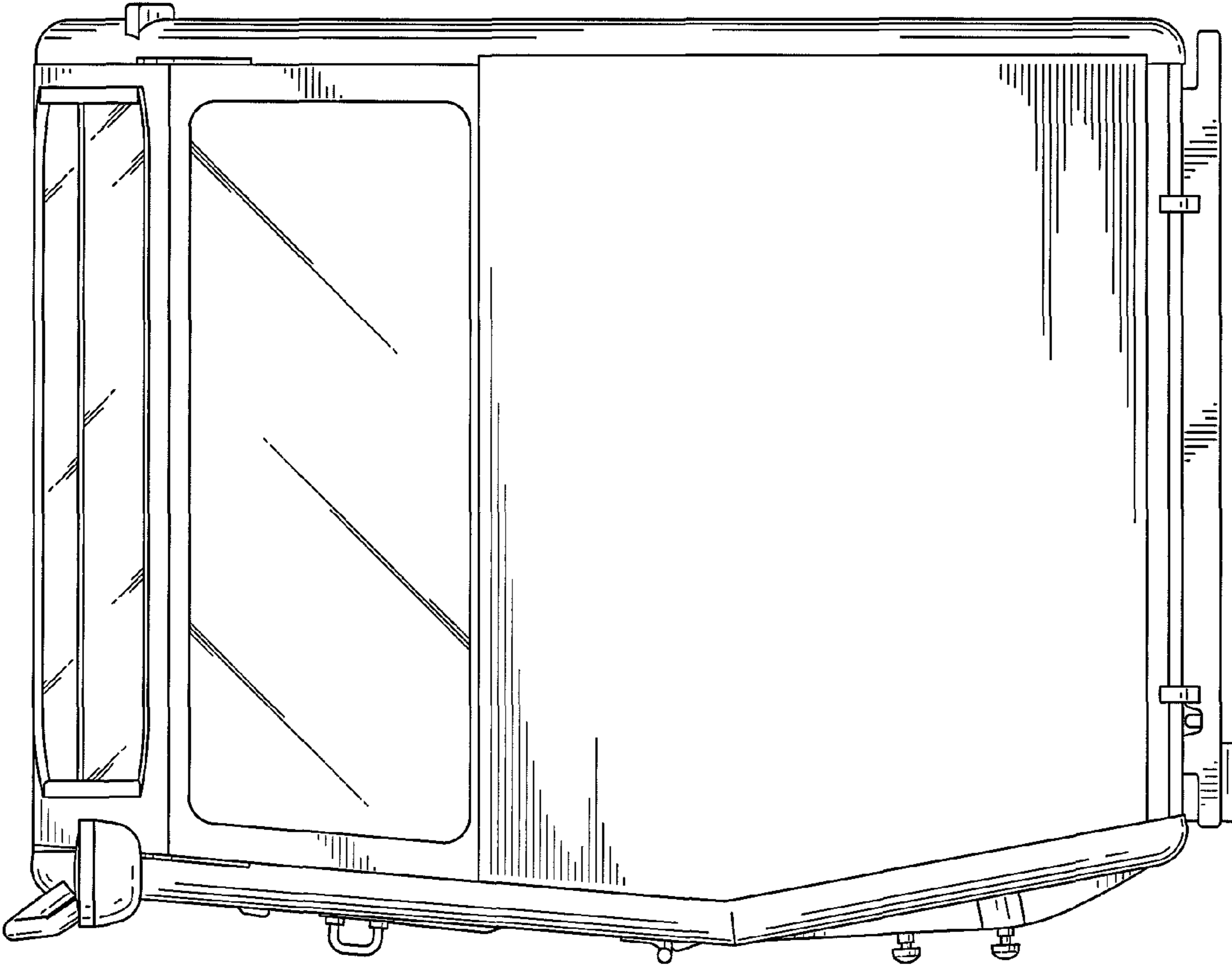


FIG. 6

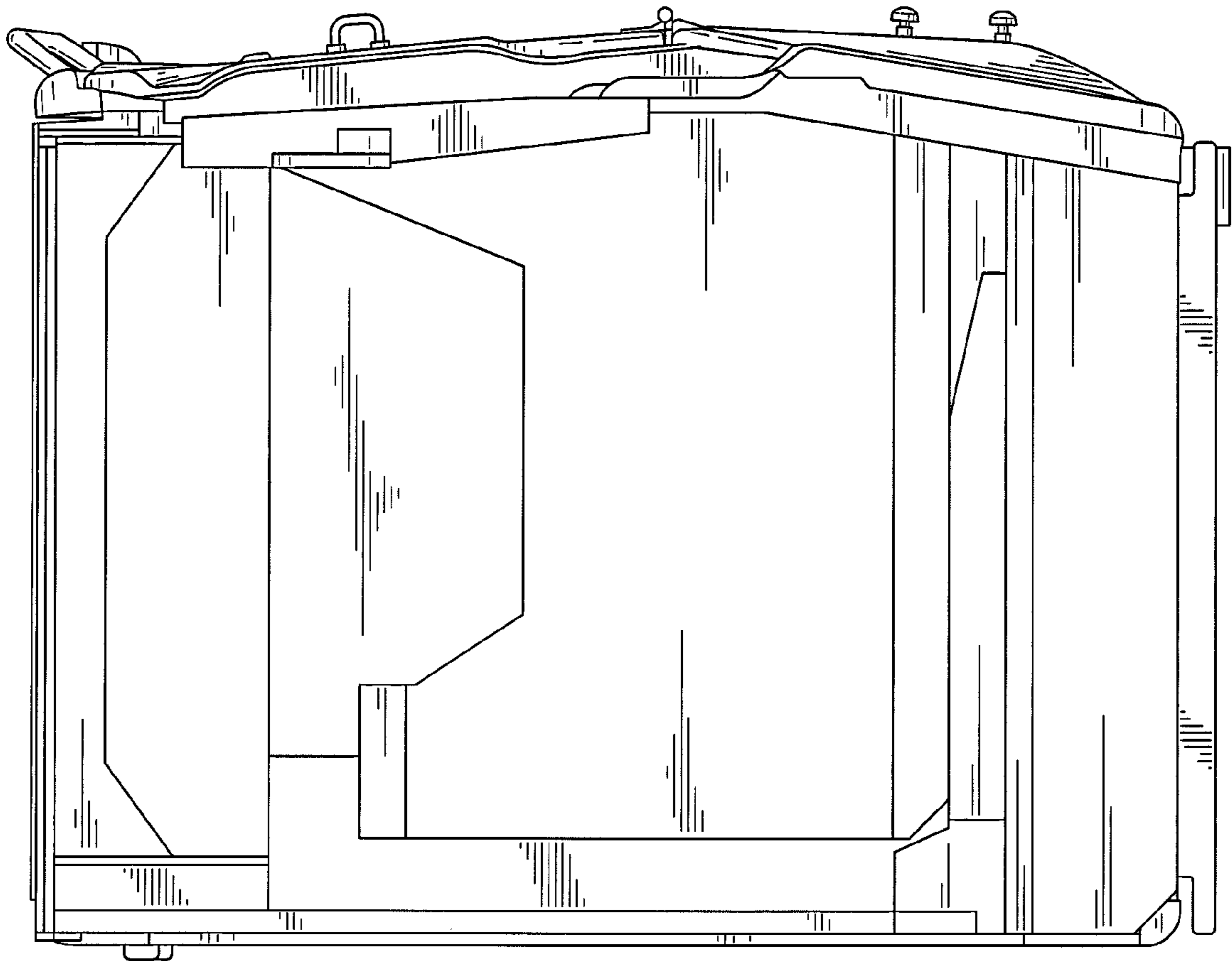


FIG. 7