



US00D684602S

(12) **United States Design Patent**
Hagura et al.

(10) **Patent No.:** **US D684,602 S**
(45) **Date of Patent:** **** Jun. 18, 2013**

(54) **WEIGHT FOR A CONSTRUCTION MACHINE**

(71) Applicant: **Hitachi Construction Machinery Co., Ltd., Tokyo (JP)**

(72) Inventors: **Shigehisa Hagura, Akishima (JP); Junya Kawamoto, Moriyama (JP); Katsuhiko Sasaki, Koka (JP); Osamu Kokuryo, Koka (JP); Yasuhiro Miyahara, Ritto (JP)**

(73) Assignee: **Hitachi Construction Machinery Co., Ltd., Tokyo (JP)**

(**) Term: **14 Years**

(21) Appl. No.: **29/436,674**

(22) Filed: **Nov. 8, 2012**

(30) **Foreign Application Priority Data**

May 10, 2012 (JP) 2012-010815

(51) **LOC (9) Cl.** **15-03**

(52) **U.S. Cl.**
USPC **D15/28**

(58) **Field of Classification Search**
USPC D15/10, 22-26, 28, 30, 33; 296/193.03, 296/193.08; 172/611, 776; 180/69.24, 89.1, 180/89.12, 89.13, 900, 326; 37/443, 379; 414/601, 602, 685, 687, 688, 694, 722-724, 414/699, 680, 698, 719, 743
See application file for complete search history.

(56) **References Cited**

U.S. PATENT DOCUMENTS

5,141,195 A * 8/1992 Toda et al. 248/364
5,715,615 A * 2/1998 Murakami et al. 37/379
D393,268 S * 4/1998 Tachinou et al. D15/28
D432,144 S * 10/2000 Kraft et al. D15/30

D440,236 S * 4/2001 Kraft et al. D15/28
6,502,896 B1 * 1/2003 Nakata et al. 296/190.05
6,601,324 B2 * 8/2003 Iwasa et al. 37/347
D487,575 S * 3/2004 Wetzel et al. D15/33
D490,444 S * 5/2004 Kuwae D15/33
D506,211 S * 6/2005 Kuwae et al. D15/33
D507,800 S * 7/2005 Kuwae et al. D15/30
7,036,251 B2 * 5/2006 Kojima et al. 37/466
D528,568 S * 9/2006 Kuwae et al. D15/28
D549,740 S * 8/2007 Teich D15/28
D559,279 S * 1/2008 Sakitani et al. D15/28
D579,465 S * 10/2008 Ochi et al. D15/28
D582,947 S * 12/2008 Ueta et al. D15/28
D587,285 S * 2/2009 Murakami et al. D15/28
D624,940 S * 10/2010 Buhr et al. D15/28
D624,941 S * 10/2010 Buhr et al. D15/28
D632,703 S * 2/2011 Buhr et al. D15/28
D637,628 S * 5/2011 Rupp D15/28
D664,569 S * 7/2012 Rupp D15/28
2004/0200100 A1 * 10/2004 Kojima et al. 37/348
2006/0103125 A1 * 5/2006 Yamamoto 280/760

* cited by examiner

Primary Examiner — Mark Goodwin

(74) *Attorney, Agent, or Firm* — Antonelli, Terry, Stout & Kraus, LLP.

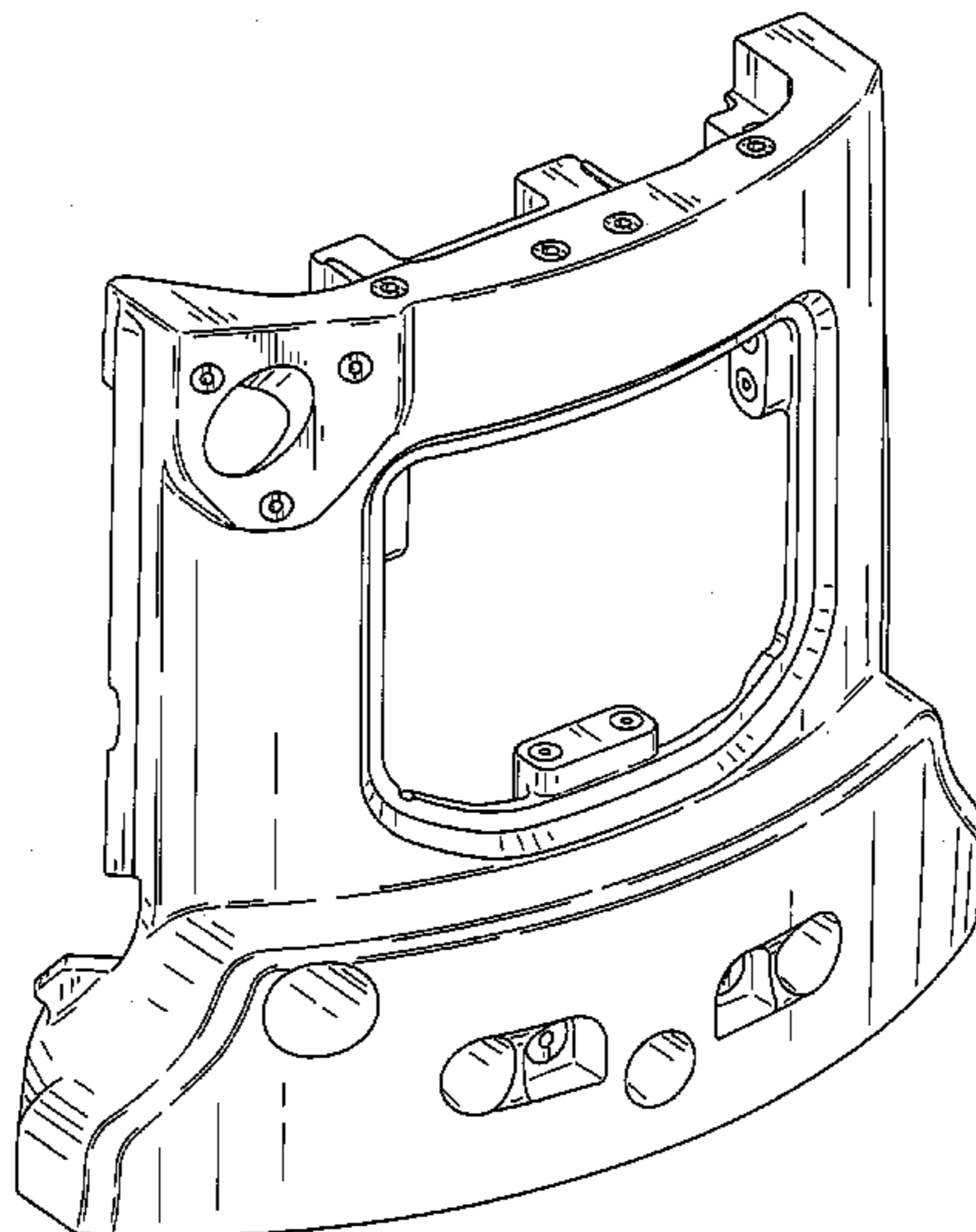
(57) **CLAIM**

We claim the ornamental design for a weight for a construction machine, as shown.

DESCRIPTION

FIG. 1 is a front, top and left side perspective view of a weight for a construction machine showing our new design;
FIG. 2 is a front elevational view thereof;
FIG. 3 is a rear elevational view thereof;
FIG. 4 is a left side elevational view thereof;
FIG. 5 is a right side elevational view thereof;
FIG. 6 is a top plan view thereof; and,
FIG. 7 is a bottom plan view thereof.

1 Claim, 5 Drawing Sheets



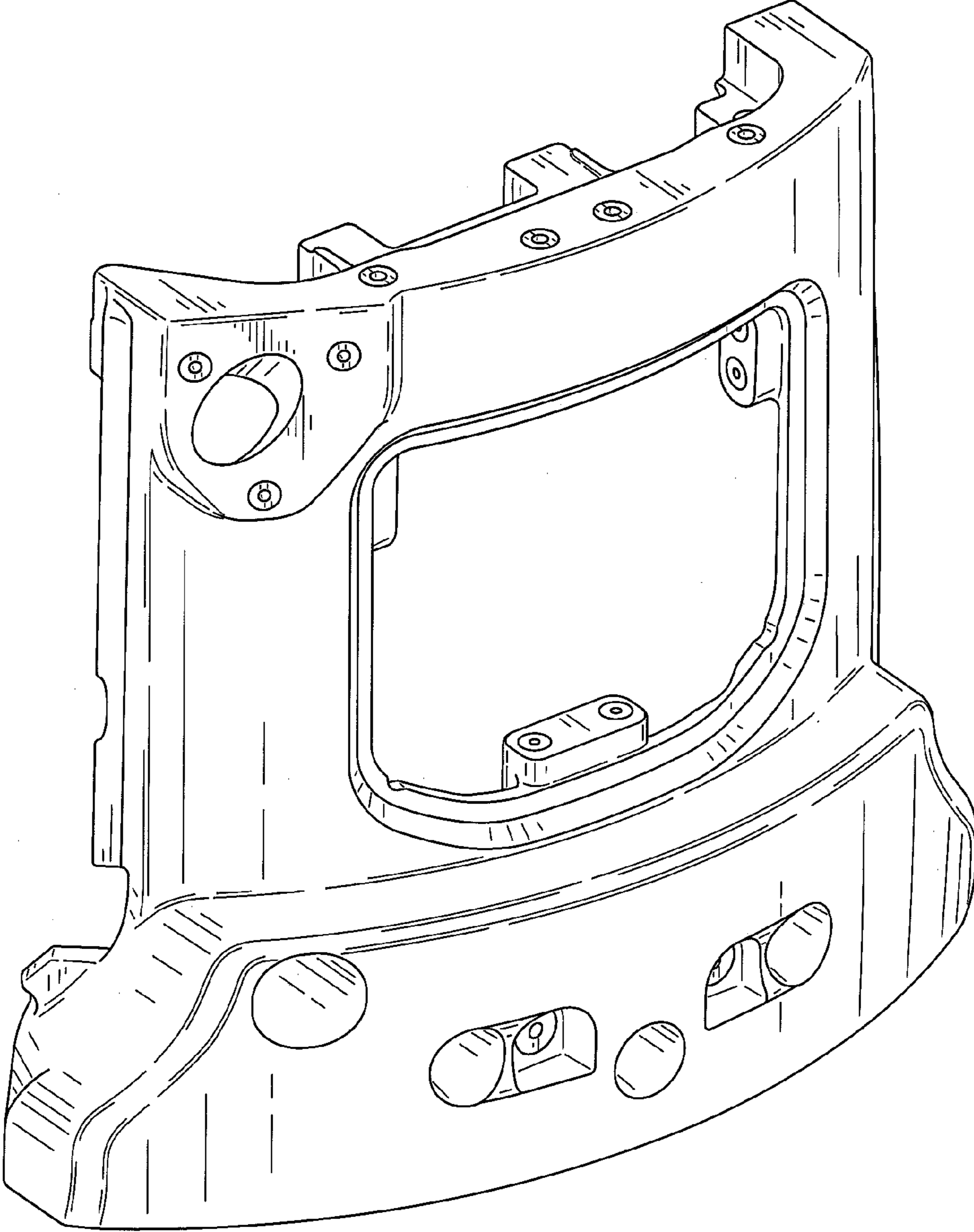


FIG. 1

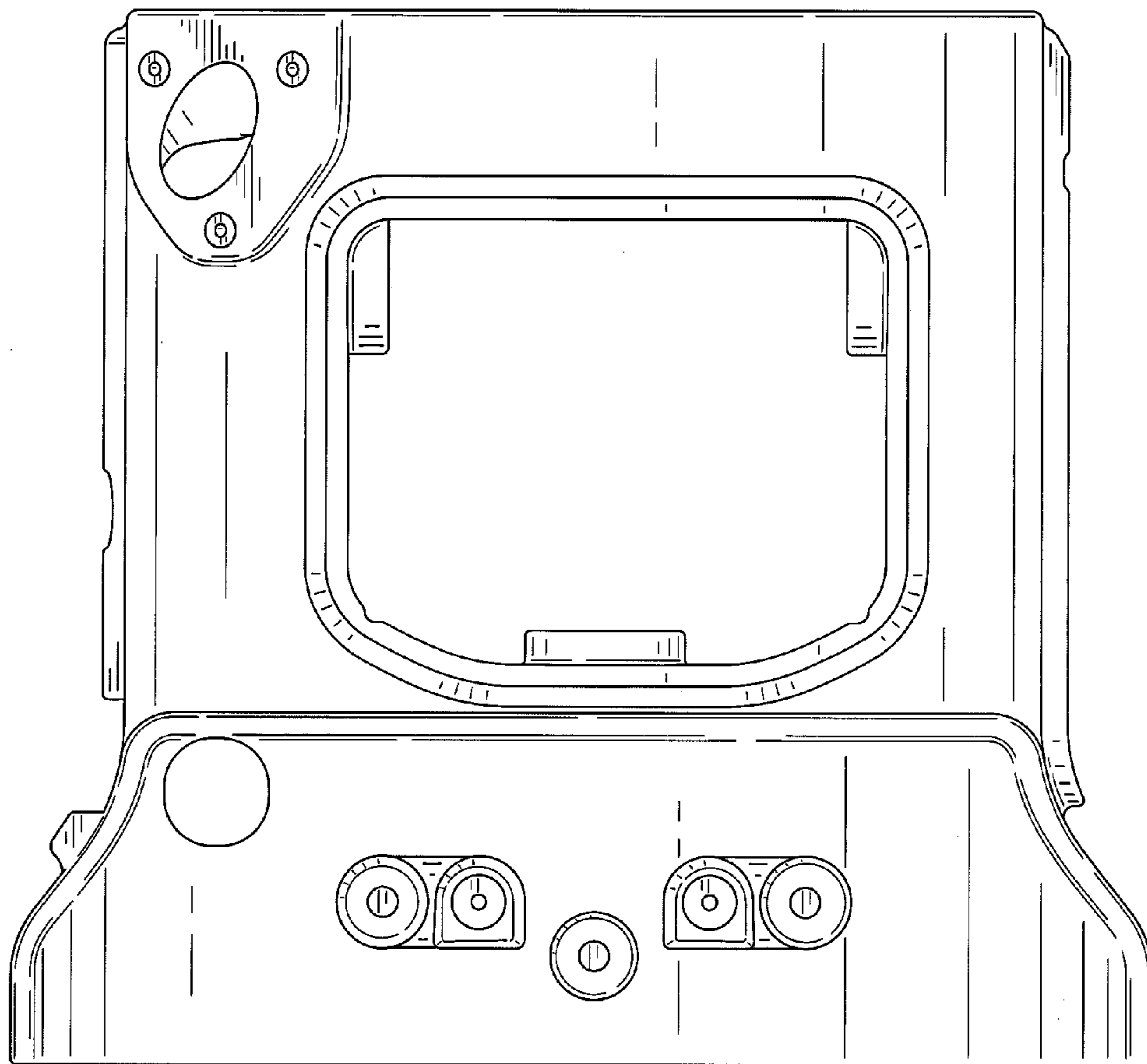


FIG. 2

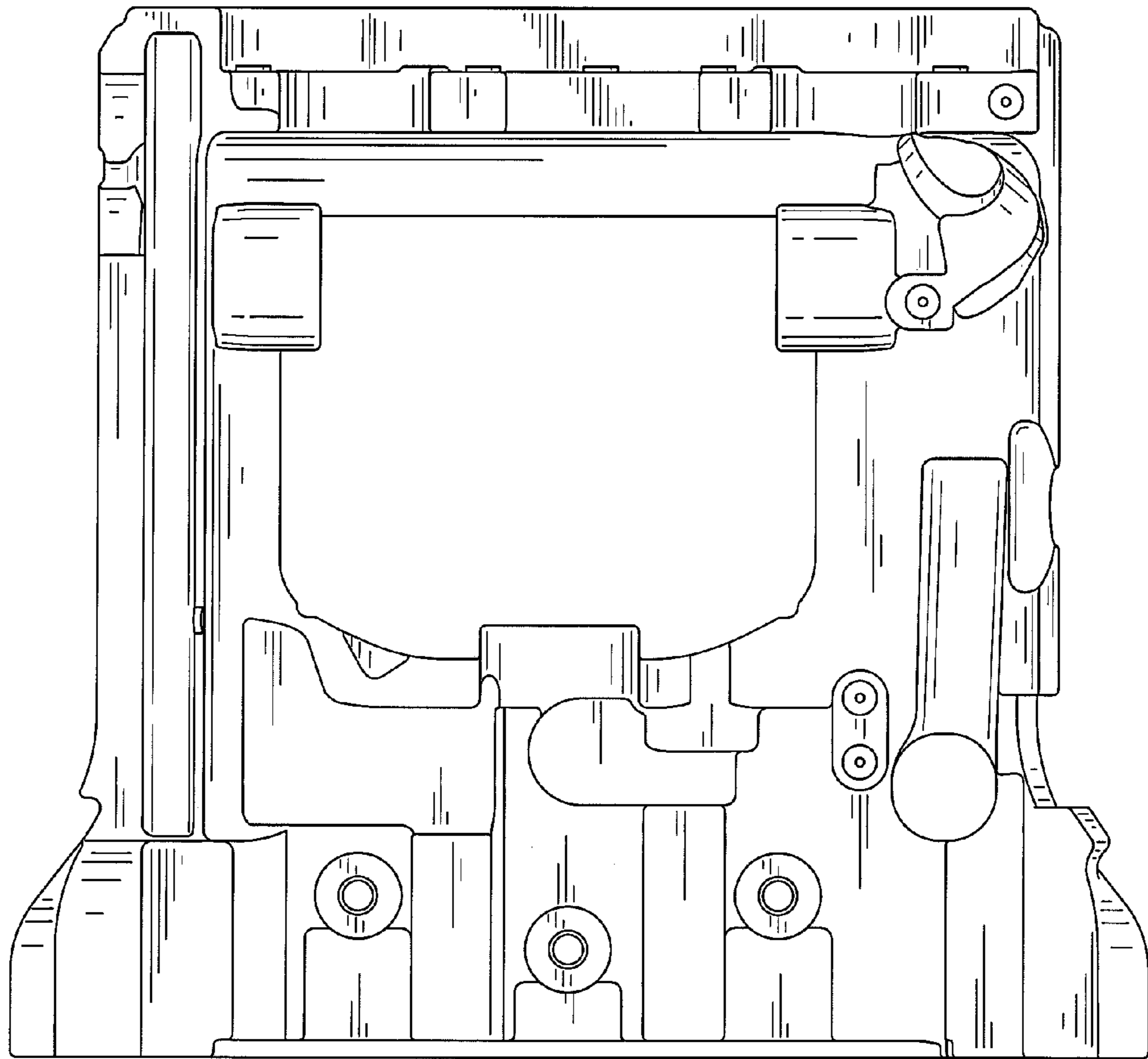


FIG. 3

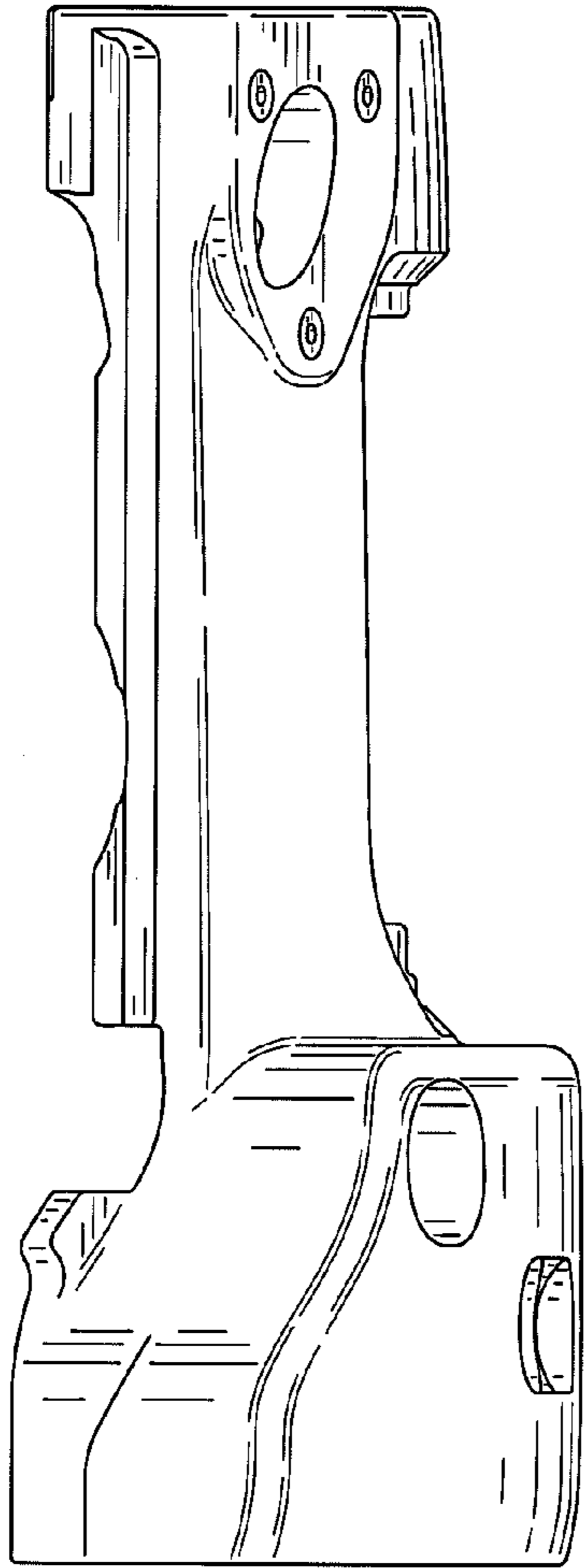


FIG. 4

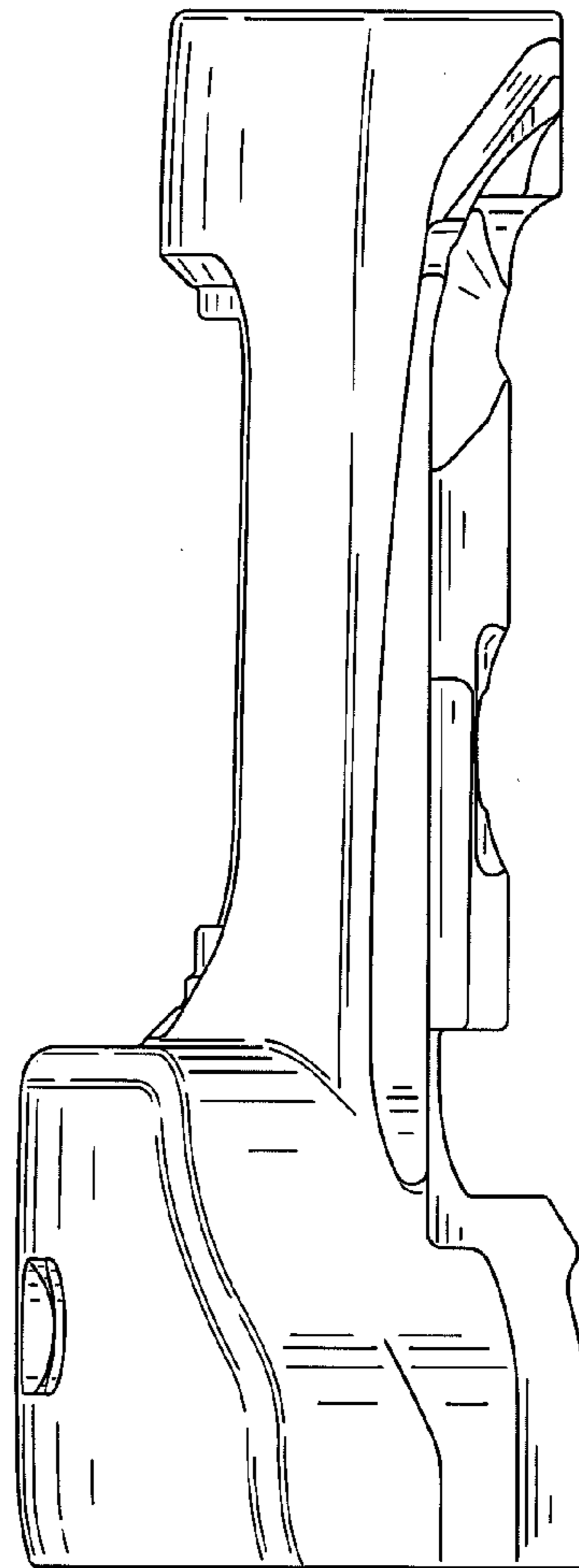


FIG. 5

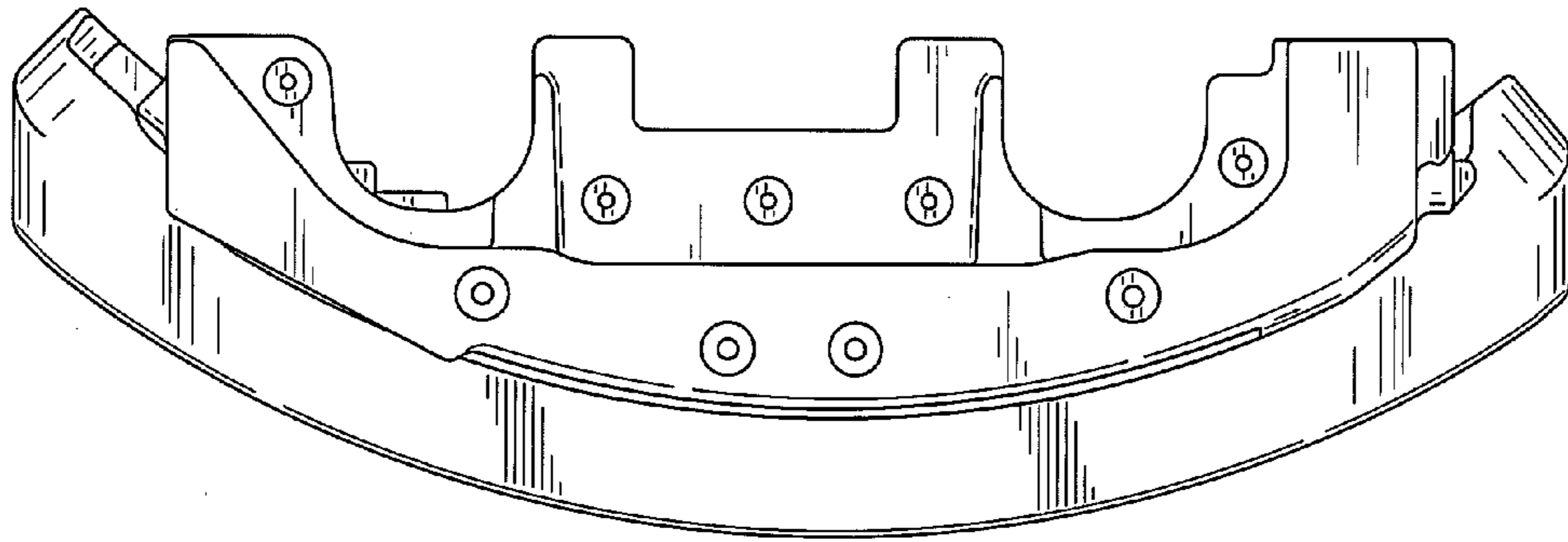


FIG. 6

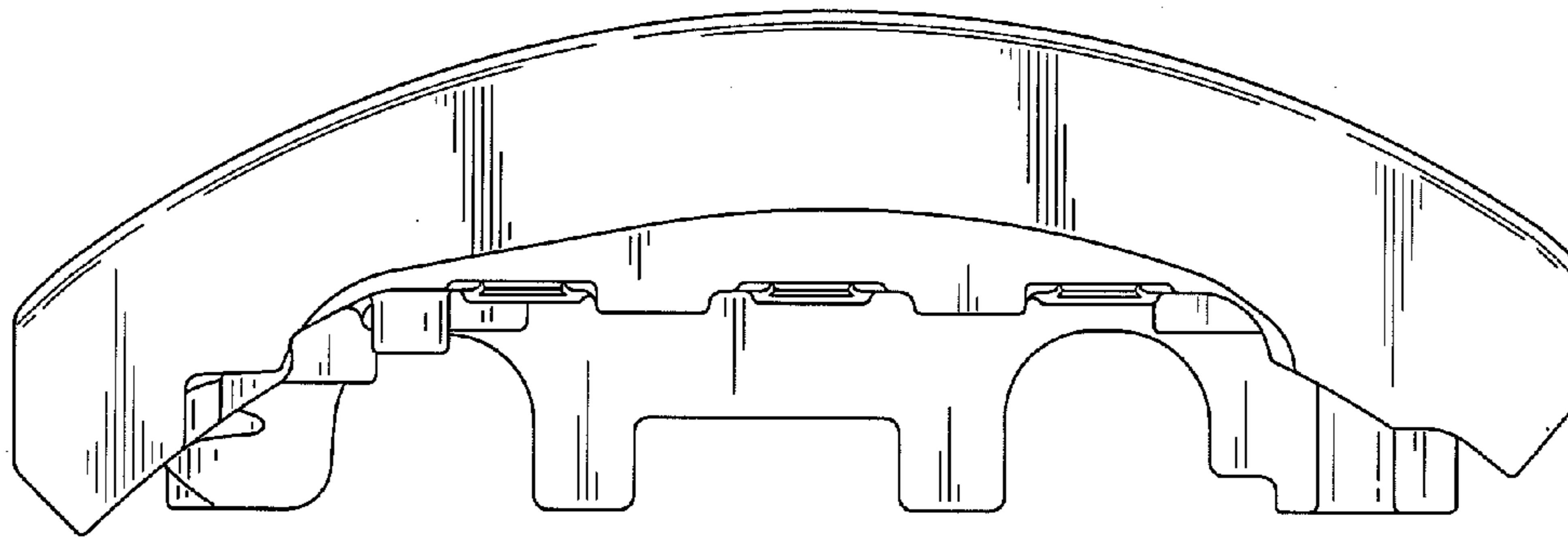


FIG. 7