



US00D684601S

(12) **United States Design Patent**  
**Robb, Jr.**

(10) **Patent No.:** **US D684,601 S**  
(45) **Date of Patent:** **\*\* Jun. 18, 2013**

(54) **SKID LOADER ATTACHMENT FOR REMOVING SNOW FROM A ROOF**

(76) Inventor: **Selden Thompson Robb, Jr.**, Excelsior, MN (US)

(\*\*) Term: **14 Years**

(21) Appl. No.: **29/418,322**

(22) Filed: **Apr. 16, 2012**

(51) **LOC (9) Cl.** ..... **15-03**

(52) **U.S. Cl.**  
USPC ..... **D15/28; D15/11**

(58) **Field of Classification Search**  
USPC ..... **D15/11, 28, 17, 32; 37/231-234, 37/266, 268, 270, 240; 172/272-275, 811; 414/724**

See application file for complete search history.

(56) **References Cited**

**U.S. PATENT DOCUMENTS**

3,604,517	A	9/1971	Clifford	
3,866,342	A	2/1975	Cooper	
5,129,169	A	7/1992	Aubichon	
5,297,351	A *	3/1994	Cote	37/232
5,560,129	A	10/1996	Rothbart	
5,590,482	A *	1/1997	Peterson et al.	37/403
6,560,904	B2 *	5/2003	Guggino	37/233

7,491,027	B1 *	2/2009	McFarland et al.	414/724
7,654,016	B2 *	2/2010	Stephan	37/231
7,788,829	B2 *	9/2010	Stephan	37/231
7,805,863	B2 *	10/2010	Vennard et al.	37/266
7,941,947	B2 *	5/2011	Stephan	37/231
8,157,473	B2 *	4/2012	Johnson	404/75
8,191,288	B2 *	6/2012	Weagley et al.	37/267
2010/0186267	A1	7/2010	Kotila	

\* cited by examiner

*Primary Examiner* — Mark Goodwin

(74) *Attorney, Agent, or Firm* — RG Patent Consulting LLC; Rachel Gilbooy

(57) **CLAIM**

I claim the ornamental design for a skid loader attachment for removing snow from a roof, as shown and described.

**DESCRIPTION**

FIG. 1 is a rear, top and side perspective view of the skid loader attachment for removing snow from a roof embodying the design of the present invention.

FIG. 2 is an end elevational view thereof, the opposite end being identical to the end shown.

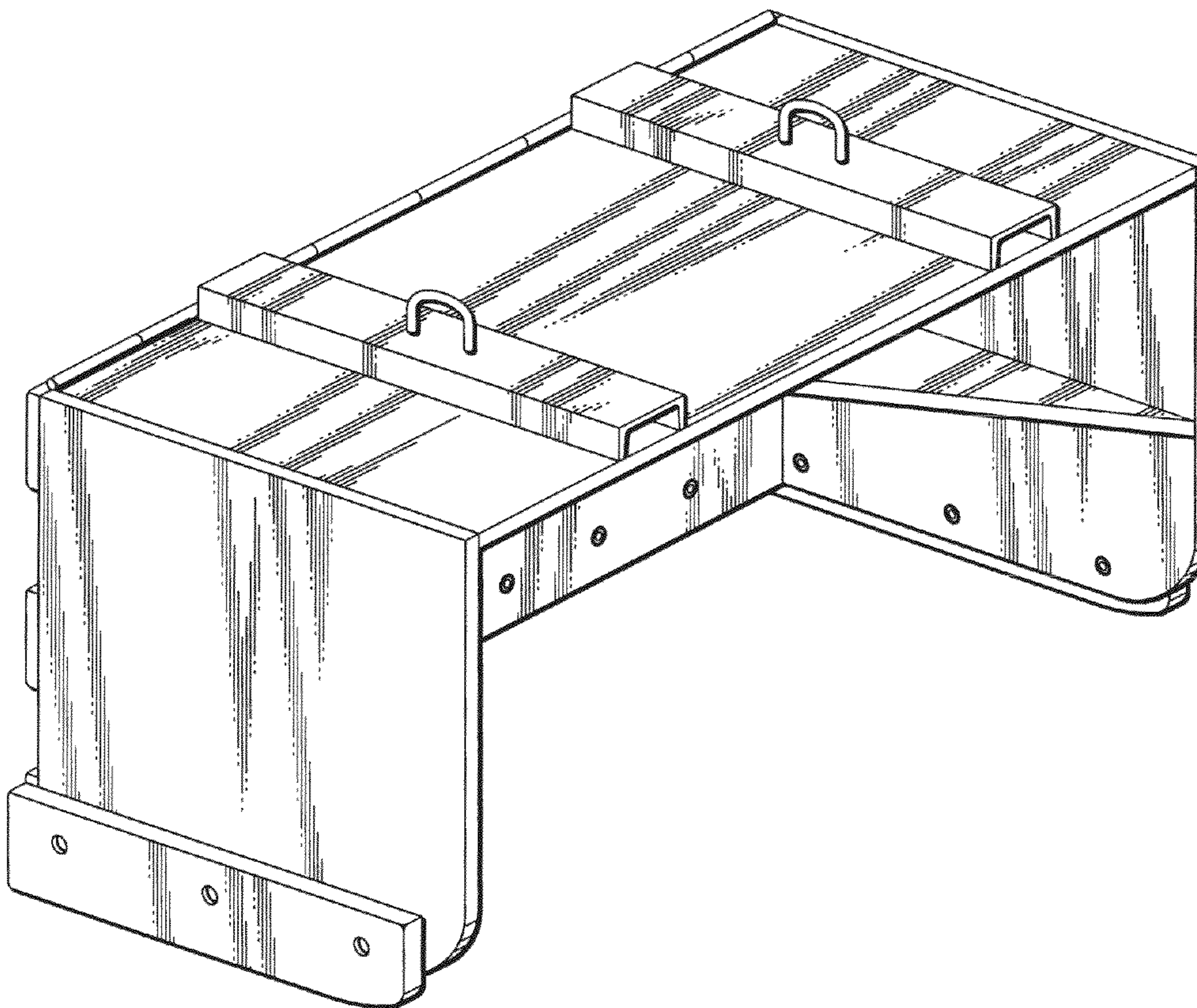
FIG. 3 is a rear elevational view thereof.

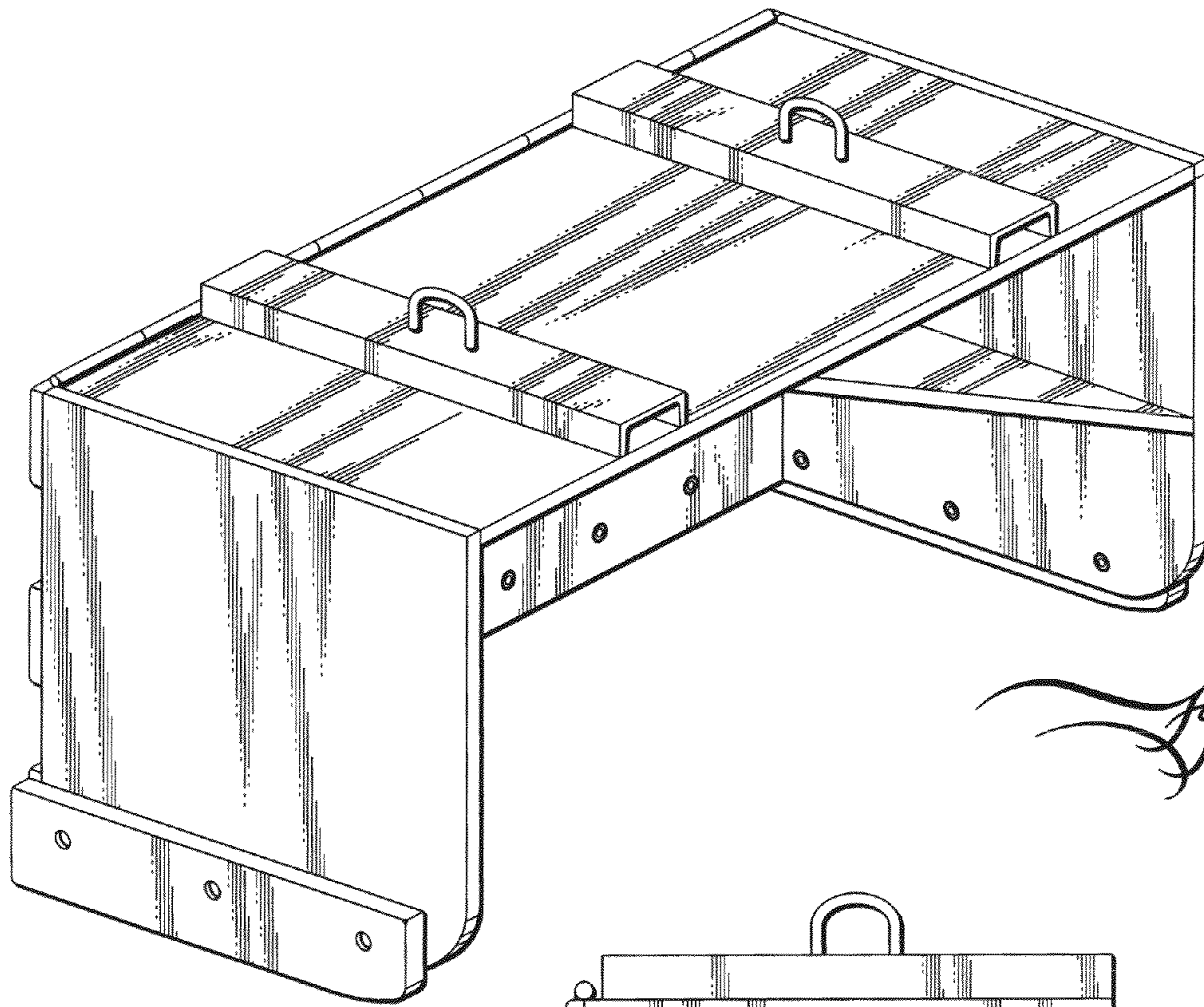
FIG. 4 is a top plan view thereof.

FIG. 5 is a front elevational view thereof; and,

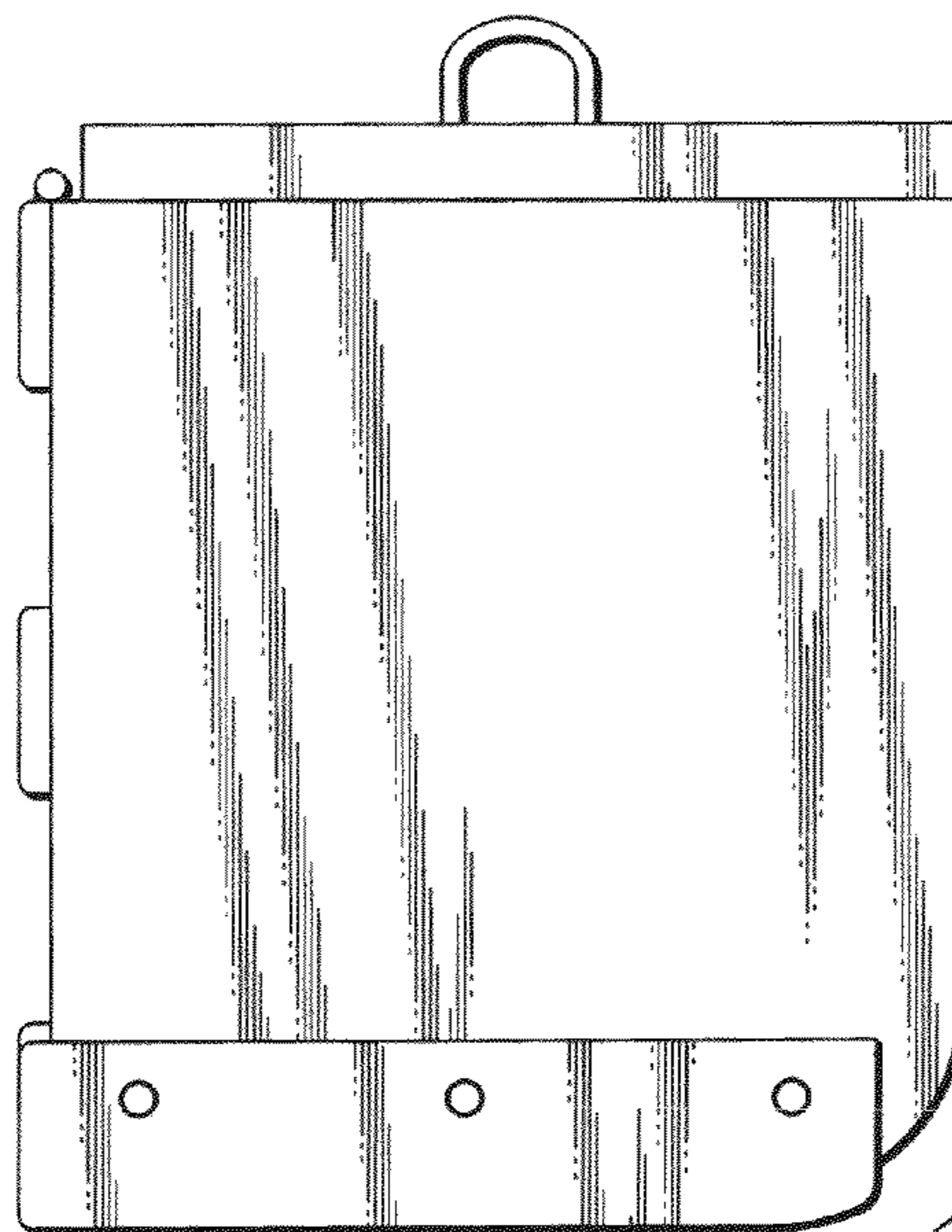
FIG. 6 is a bottom plan view thereof.

**1 Claim, 3 Drawing Sheets**

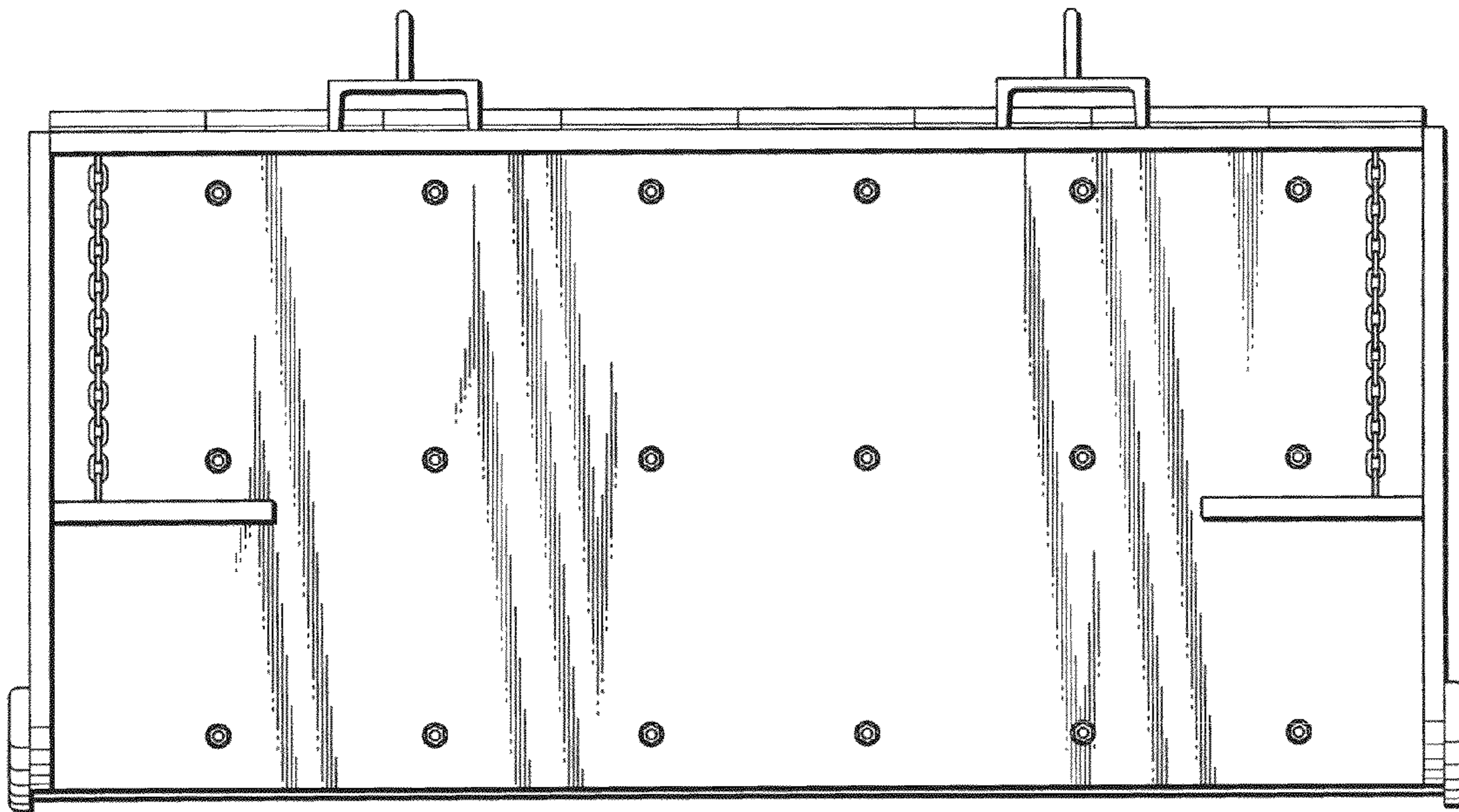




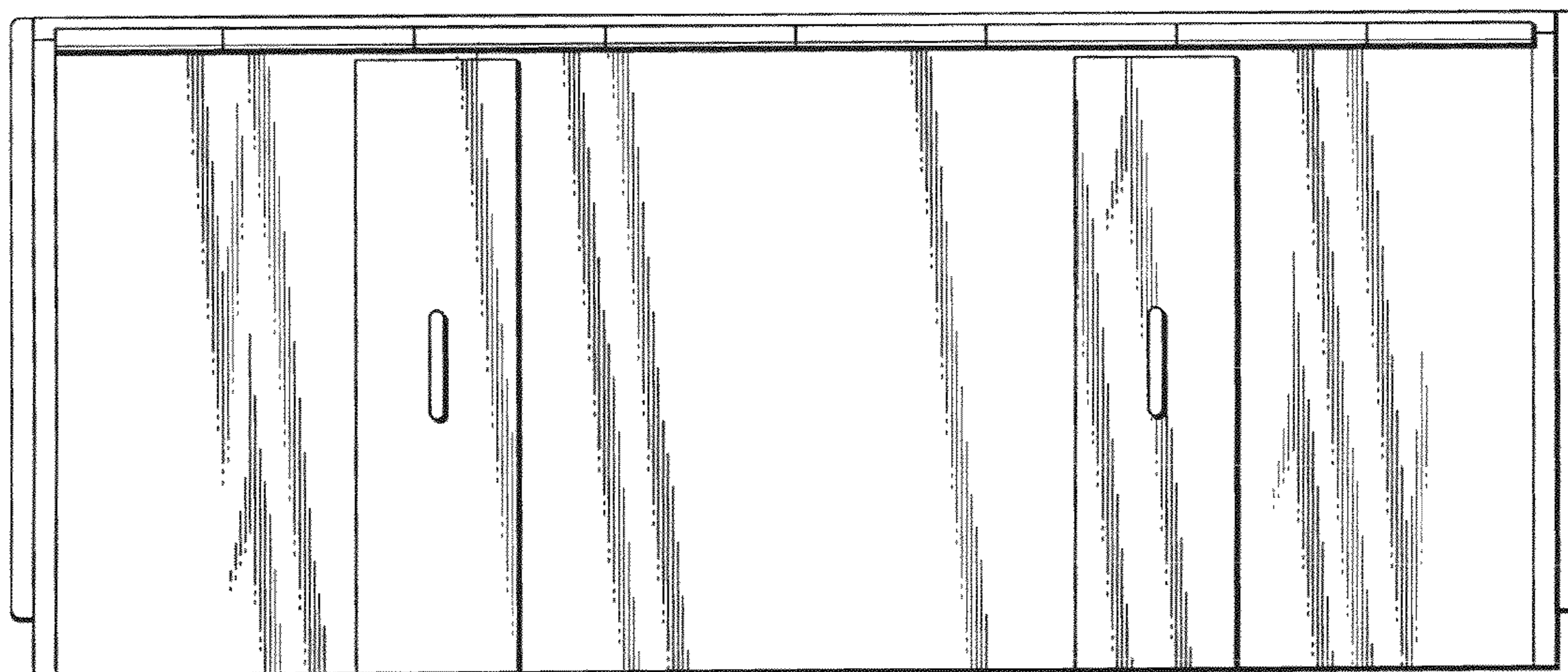
*Fig. 1*



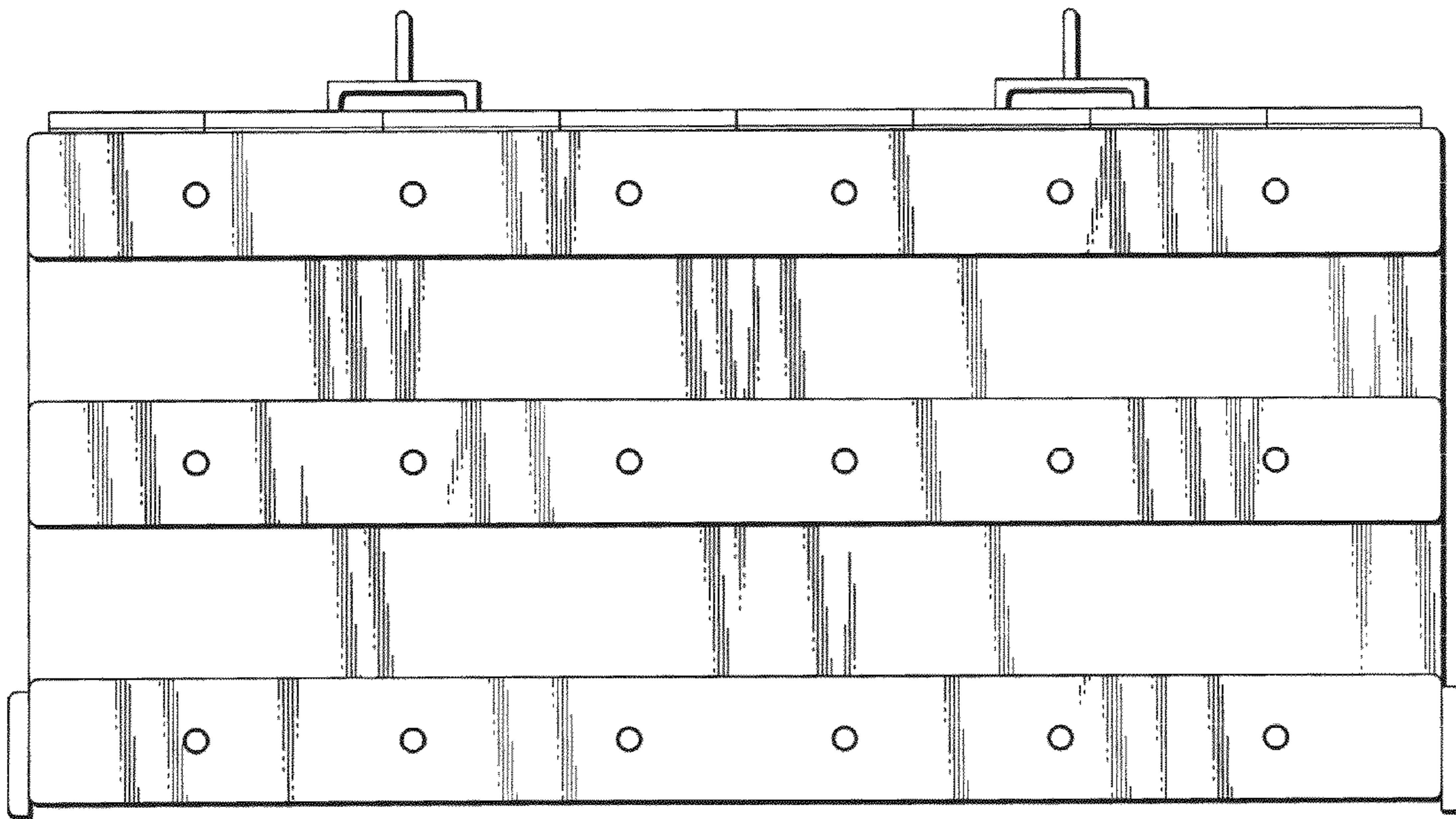
*Fig. 2*



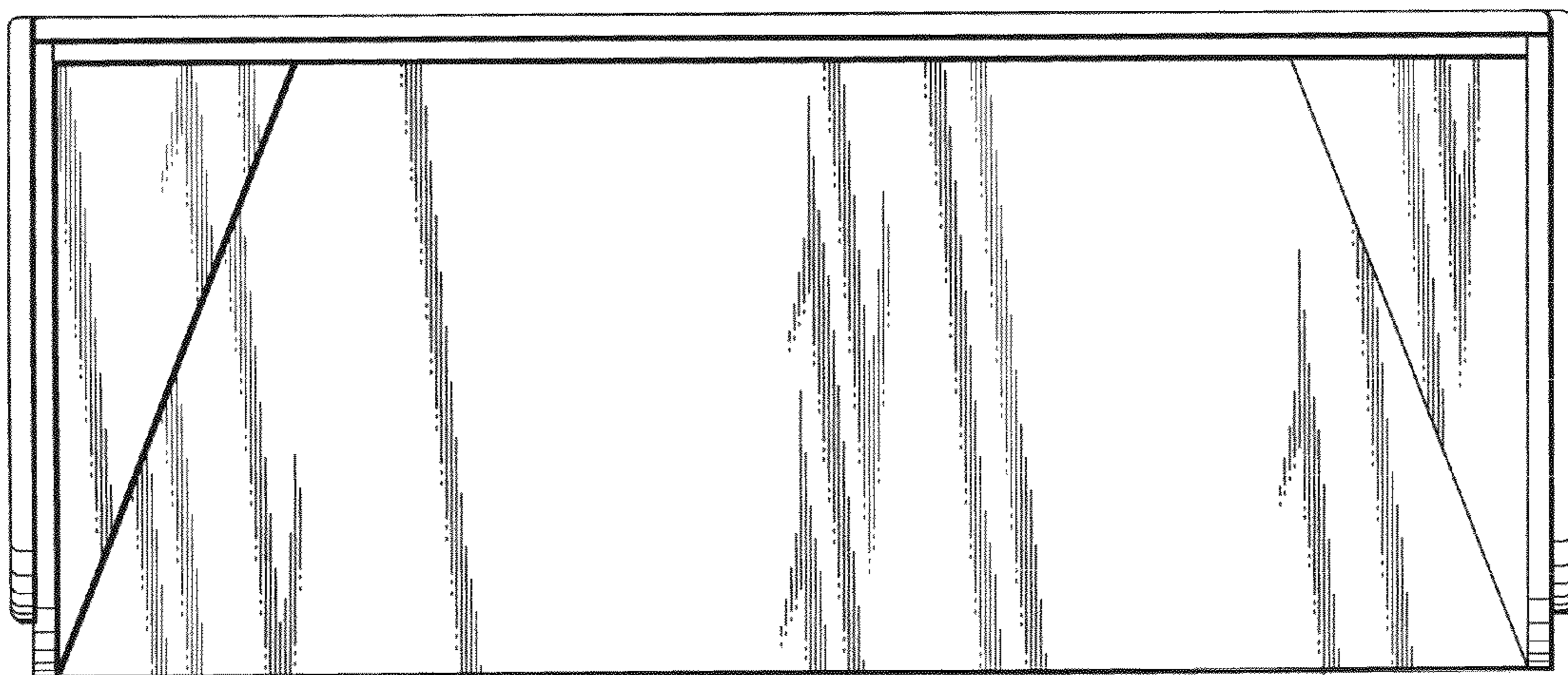
*Fig. 3*



*Fig. 4*



*Fig. 5*



*Fig. 6*