



US00D684596S

(12) **United States Design Patent**  
**Dwyer et al.**

(10) **Patent No.:** **US D684,596 S**  
(45) **Date of Patent:** **\*\* Jun. 18, 2013**

(54) **RIDING LAWN CARE VEHICLE EXHAUST SYSTEM**  
(71) Applicant: **Husqvarna Consumer Outdoor Products N.A., Inc.**, Charlotte, NC (US)  
(72) Inventors: **Sean Dwyer**, Gastonia, NC (US); **Jerry A. Sandy**, Fort Mill, SC (US); **Steve Brinkman**, Martinez, GA (US); **Grayson Foley**, Charlotte, NC (US)  
(73) Assignee: **Husqvarna Consumer Outdoor Products N.A., Inc.**, Charlotte, NC (US)  
(\*\*) Term: **14 Years**

(21) Appl. No.: **29/434,722**  
(22) Filed: **Oct. 16, 2012**  
(51) **LOC (9) Cl.** ..... **15-03**  
(52) **U.S. Cl.**  
USPC ..... **D15/17; D15/28**  
(58) **Field of Classification Search**  
USPC ..... D15/17, 5, 28, 10, 11, 13-16, 30, D15/31; D12/194, 173; 181/204, 264, 270, 181/277, 240, 269; 56/13.3, 13.4, 15.8, 15.9, 56/320.1; 180/89.1, 89.12, 900, 69.2, 68.1, 180/69.1; 72/369; 138/122, 129  
See application file for complete search history.

(56) **References Cited**  
U.S. PATENT DOCUMENTS  
1,709,217 A \* 4/1929 Hamilton ..... 181/269  
D128,184 S \* 7/1941 Welch ..... D12/194  
D179,611 S \* 1/1957 Powers et al. .... D12/194  
D248,463 S \* 7/1978 Barnes ..... D12/194  
4,109,751 A \* 8/1978 Kabele ..... 181/247  
4,909,347 A \* 3/1990 Wang ..... 181/272  
D318,840 S \* 8/1991 Miles, Jr. .... D12/194  
D344,960 S \* 3/1994 Patterson et al. .... D15/17

D345,167 S \* 3/1994 Lee ..... D15/17  
D363,908 S \* 11/1995 Maag ..... D12/194  
D365,573 S \* 12/1995 Westimayer et al. .... D15/17  
D371,372 S \* 7/1996 Westimayer et al. .... D15/31  
D392,928 S \* 3/1998 Erion et al. .... D12/194  
D392,982 S \* 3/1998 Smith ..... D15/17  
5,739,484 A \* 4/1998 Jones ..... 181/264  
D447,491 S \* 9/2001 Goebert et al. .... D15/17  
D467,846 S \* 12/2002 McGee ..... D12/194  
D474,726 S \* 5/2003 Weber et al. .... D12/196  
D537,396 S \* 2/2007 Drew et al. .... D12/194  
D551,607 S \* 9/2007 LaRussa ..... D12/194  
D577,321 S \* 9/2008 Shimokawa ..... D12/194  
D583,287 S \* 12/2008 Shimokawa ..... D12/194  
D596,649 S \* 7/2009 Yan et al. .... D15/5  
D614,103 S \* 4/2010 Biddulph et al. .... D12/194  
D627,284 S \* 11/2010 Faszler et al. .... D12/194  
D666,543 S \* 9/2012 Lai ..... D12/194

\* cited by examiner

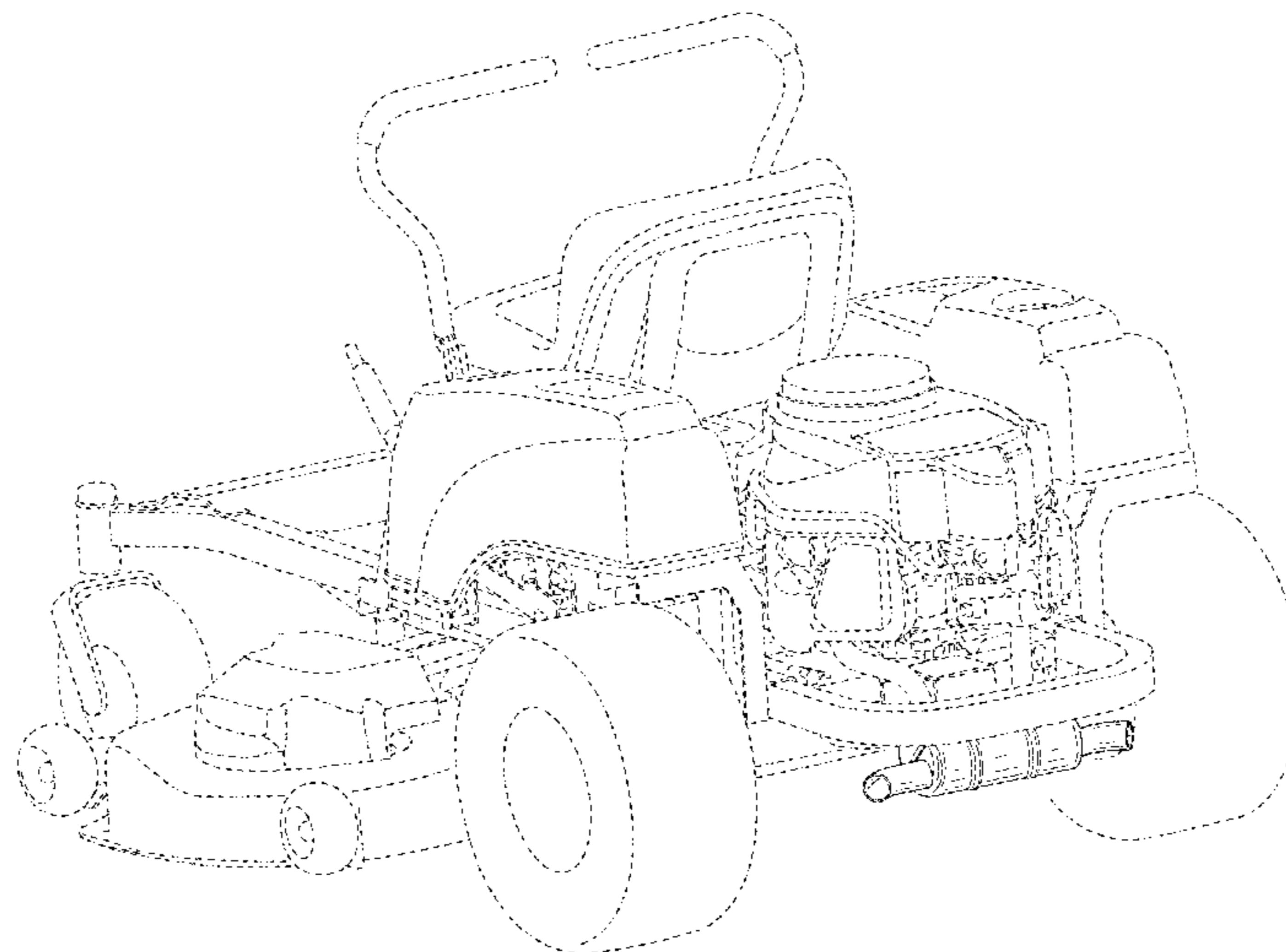
*Primary Examiner* — Mark Goodwin  
(74) *Attorney, Agent, or Firm* — Nelson Mullins Riley & Scarborough LLP

(57) **CLAIM**  
The ornamental design for a riding lawn care vehicle exhaust system, as shown and described.

**DESCRIPTION**

FIG. 1 is a perspective view of a riding lawn care vehicle exhaust system in accordance with an embodiment of the present invention;  
FIG. 2 is a left side view of the exhaust system of FIG. 1;  
FIG. 3 is a right side view of the exhaust system of FIG. 1;  
FIG. 4 is a rear view of the exhaust system of FIG. 1; and,  
FIG. 5 is a bottom view of the exhaust system of FIG. 1.  
The broken lines of FIGS. 1-5 are illustrative of the visible environmental structure of the exhaust system and form no part of the claimed design.

**1 Claim, 5 Drawing Sheets**



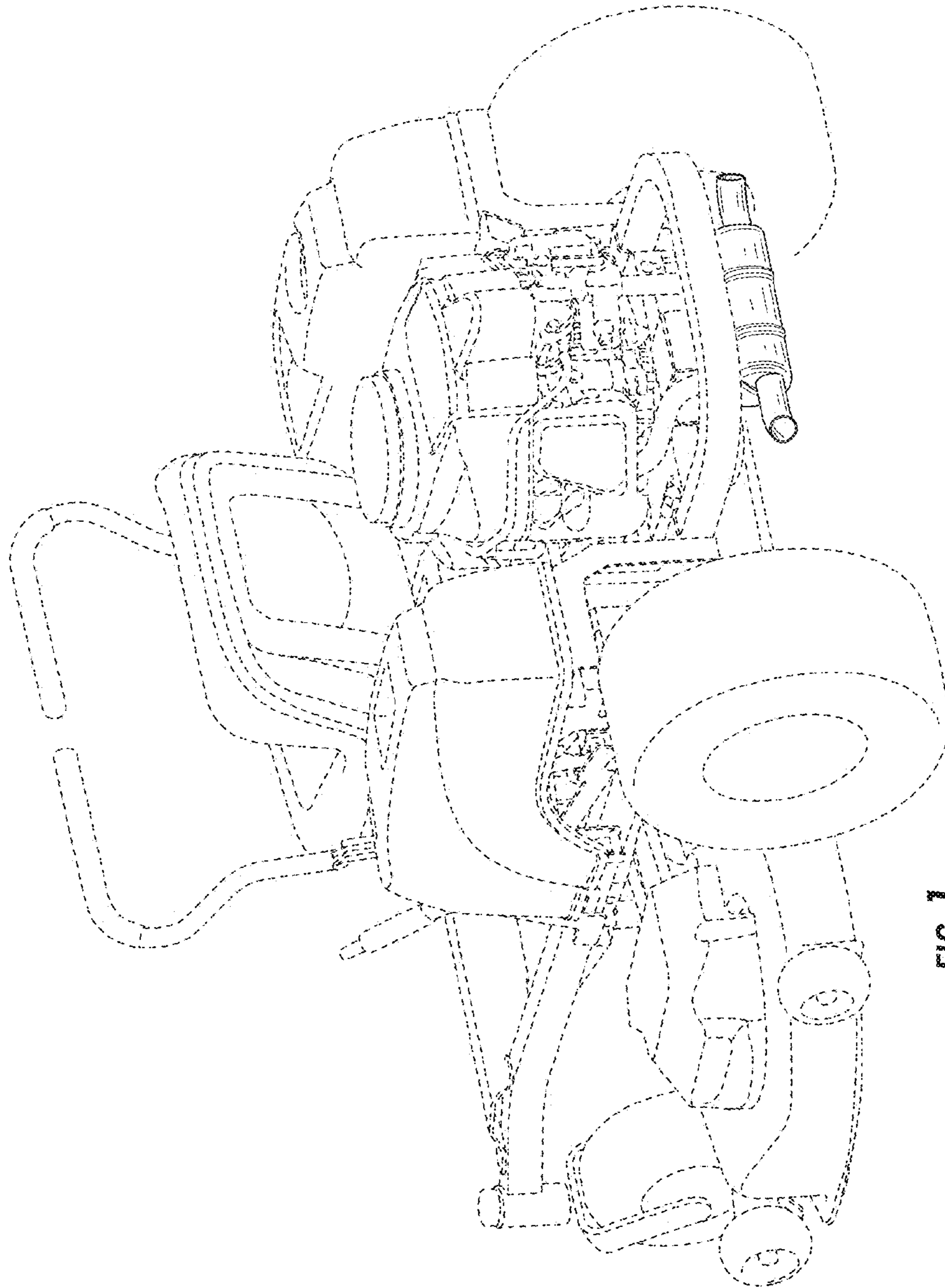


FIG. 7

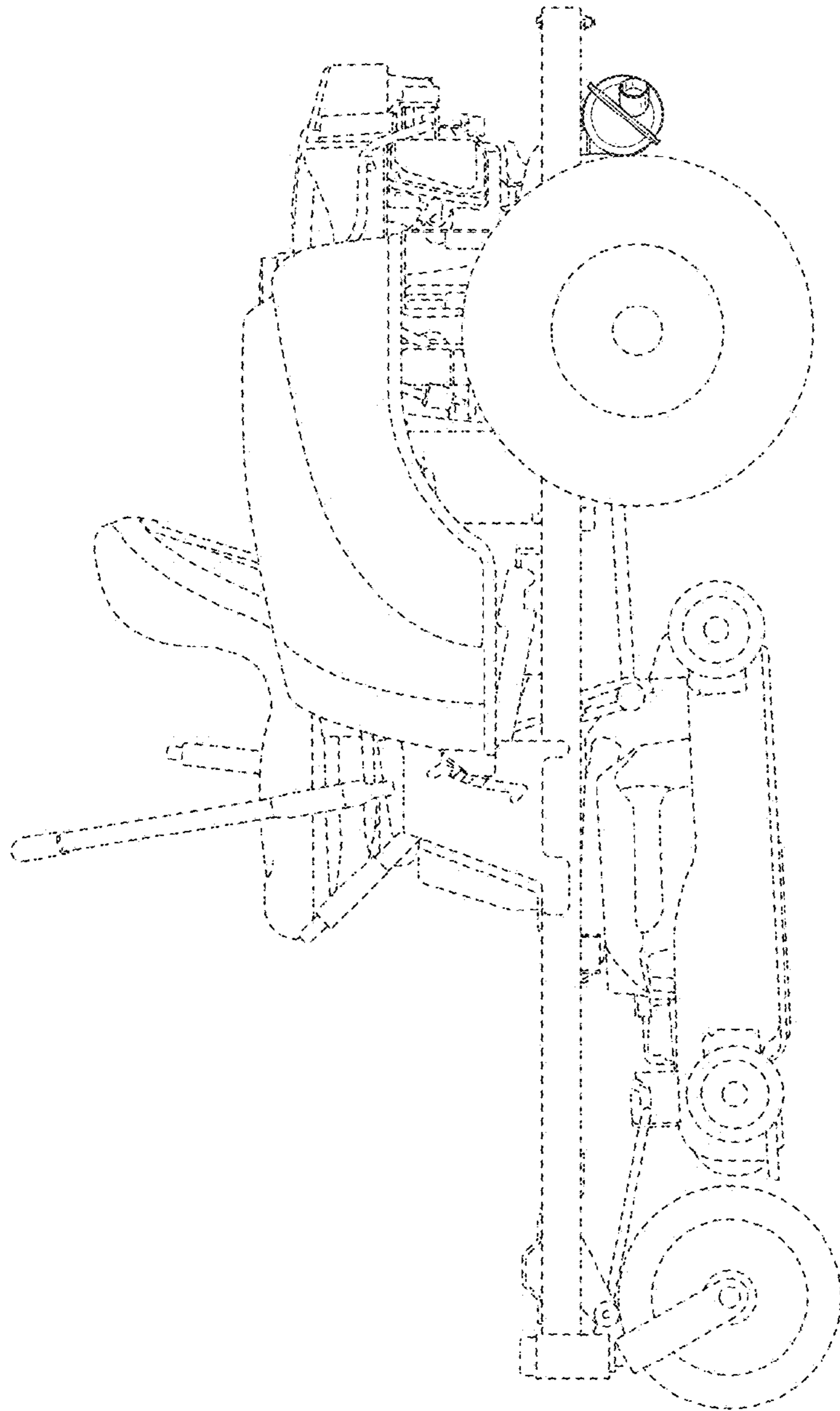


FIG. 2

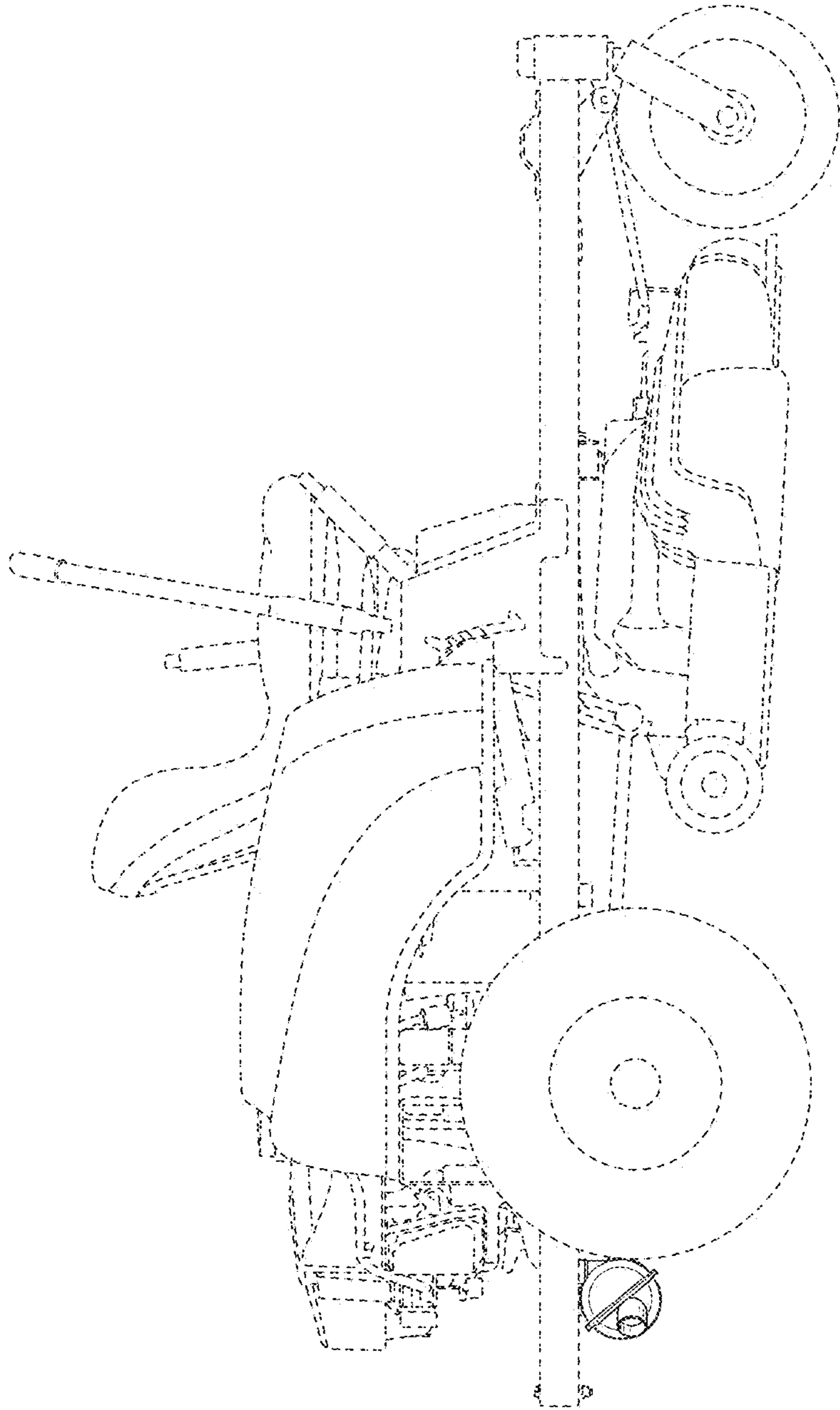


FIG. 3

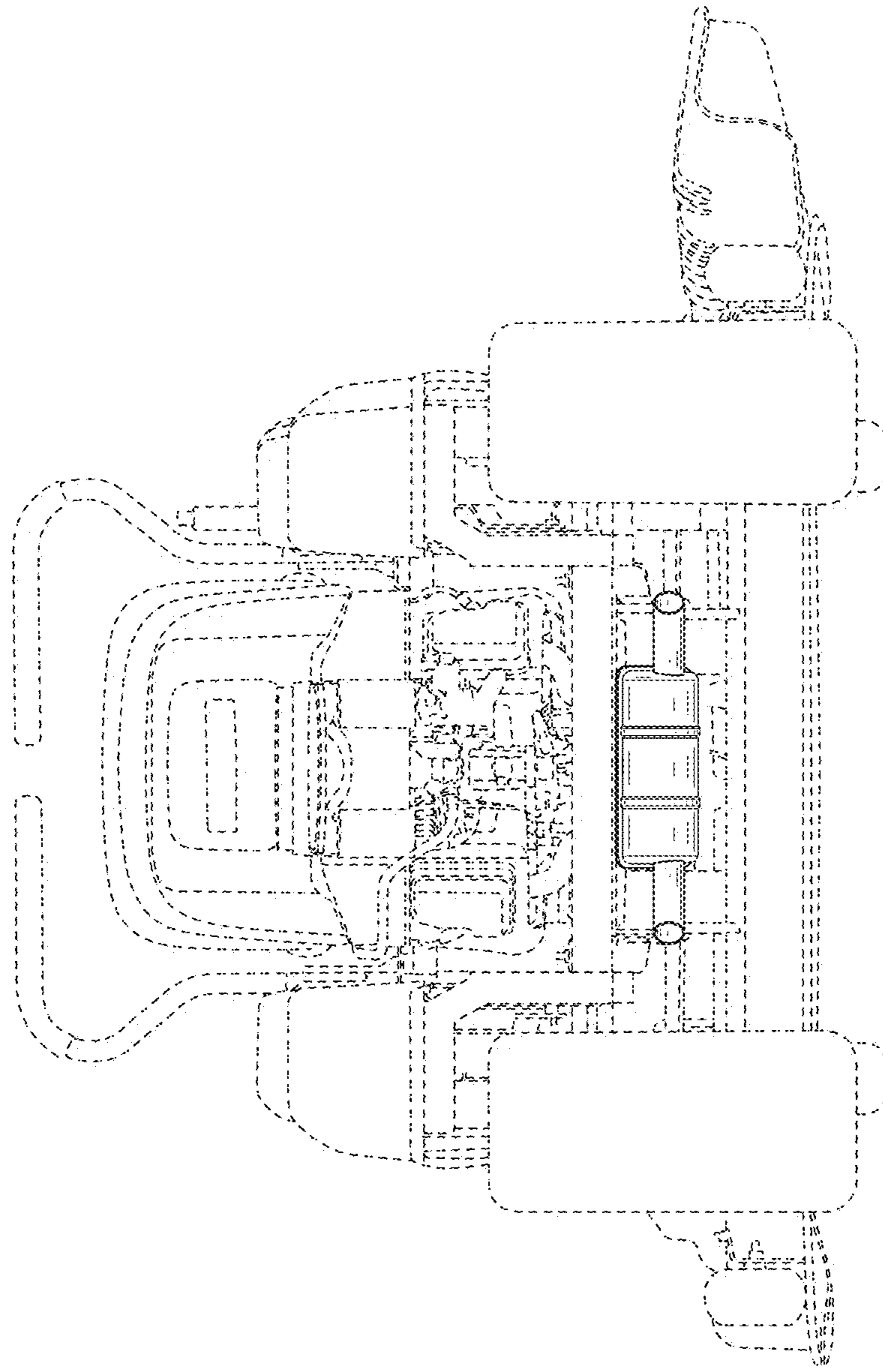


FIG. 4

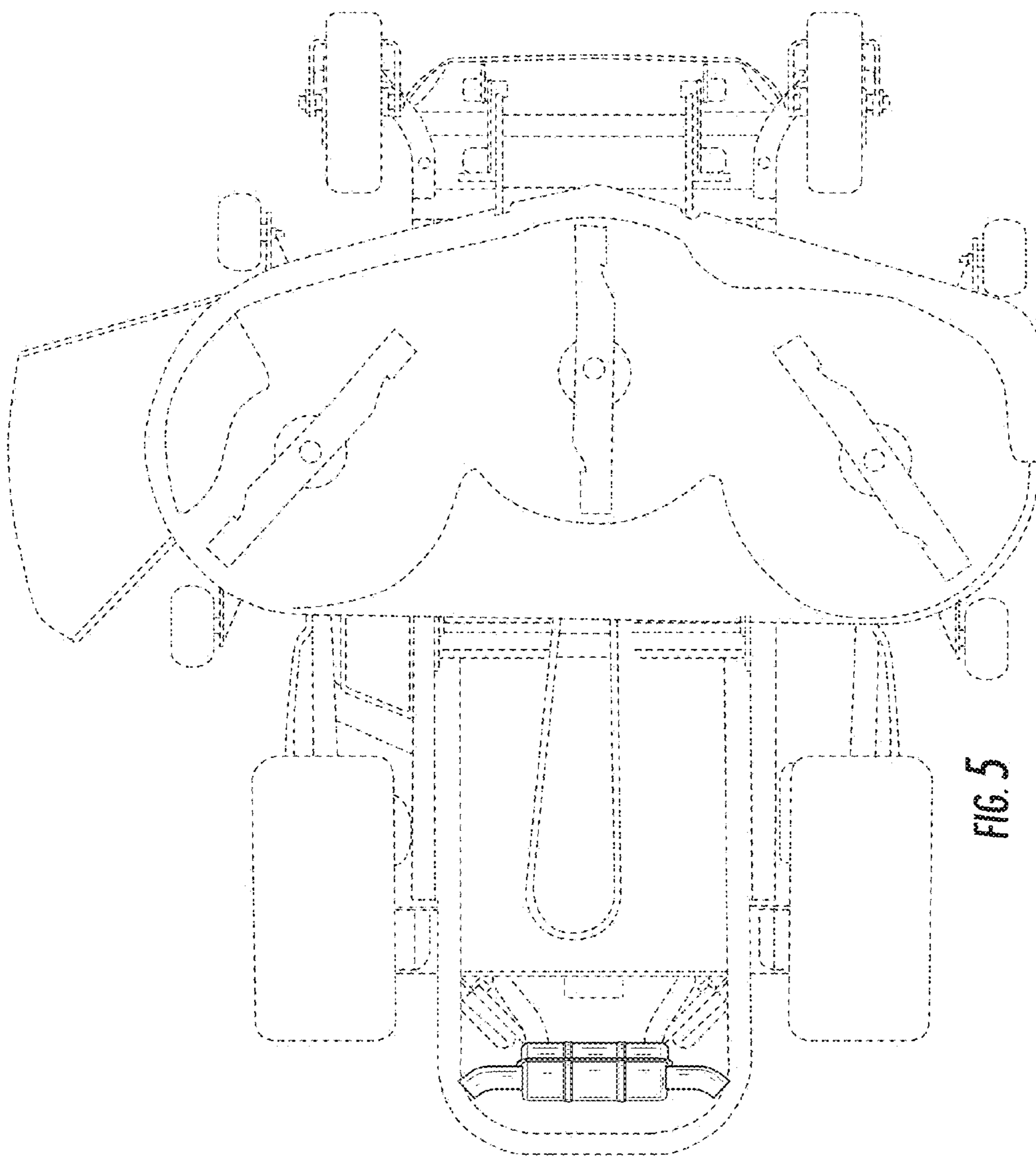


FIG. 5