



US00D684592S

(12) **United States Design Patent**  
**Vonder Haar et al.**

(10) **Patent No.:** **US D684,592 S**  
(45) **Date of Patent:** **\*\* Jun. 18, 2013**

(54) **PORTION OF A DISPLAY SCREEN WITH TRANSITIONAL ICON**

(75) Inventors: **Kim M. Vonder Haar**, Manotick (CA); **Paul Koens**, Carleton Place (CA); **Tim Rahrer**, Ottawa (CA); **Jennifer Keene-Moore**, Richardson, TX (US)

(73) Assignee: **Avaya Inc.**, Basking Ridge, NJ (US)

(\*\*) Term: **14 Years**

(21) Appl. No.: **29/402,312**

(22) Filed: **Sep. 22, 2011**

(51) **LOC (9) Cl.** ..... **14-04**

(52) **U.S. Cl.**  
USPC ..... **D14/489**

(58) **Field of Classification Search**  
USPC ..... D14/485-495; 715/773, 753, 810, 715/769, 779, 766, 274, 751, 752, 740, 837, 715/786, 785; 709/203, 217  
See application file for complete search history.

(56) **References Cited**

U.S. PATENT DOCUMENTS

5,701,424	A	*	12/1997	Atkinson	.....	715/808
D476,995	S	*	7/2003	Kreikemeier et al.	.....	D14/486
D479,846	S	*	9/2003	Kreikemeier et al.	.....	D14/486
D554,660	S	*	11/2007	Hoover et al.	.....	D14/487
D574,395	S	*	8/2008	Loretan et al.	.....	D14/487
D594,019	S	*	6/2009	Ball et al.	.....	D14/486
D594,468	S	*	6/2009	Bamford et al.	.....	D14/488
D603,418	S	*	11/2009	Magnani et al.	.....	D14/486

D607,009	S	*	12/2009	McEnaney	.....	D14/489
D619,601	S	*	7/2010	Matas	.....	D14/486
D625,319	S	*	10/2010	Allen et al.	.....	D14/485
D631,060	S	*	1/2011	Flik et al.	.....	D14/486
D644,239	S	*	8/2011	Anzures et al.	.....	D14/486
D644,649	S	*	9/2011	Fullington et al.	.....	D14/485
D648,735	S	*	11/2011	Arnold et al.	.....	D14/486
D664,985	S	*	8/2012	Tanghe et al.	.....	D14/488
2009/0064038	A1	*	3/2009	Fleischman et al.	.....	715/810

\* cited by examiner

*Primary Examiner* — Kevin Rudzinski

(74) *Attorney, Agent, or Firm* — Christopher & Weisberg, P.A.

(57) **CLAIM**

The ornamental design for a portion of a display screen with transitional icon, as shown and described.

**DESCRIPTION**

FIG. 1 is a front view of a first image in the sequence for a portion of a display screen with transitional icon showing the new design

FIG. 2 is a front view of the second image thereof;

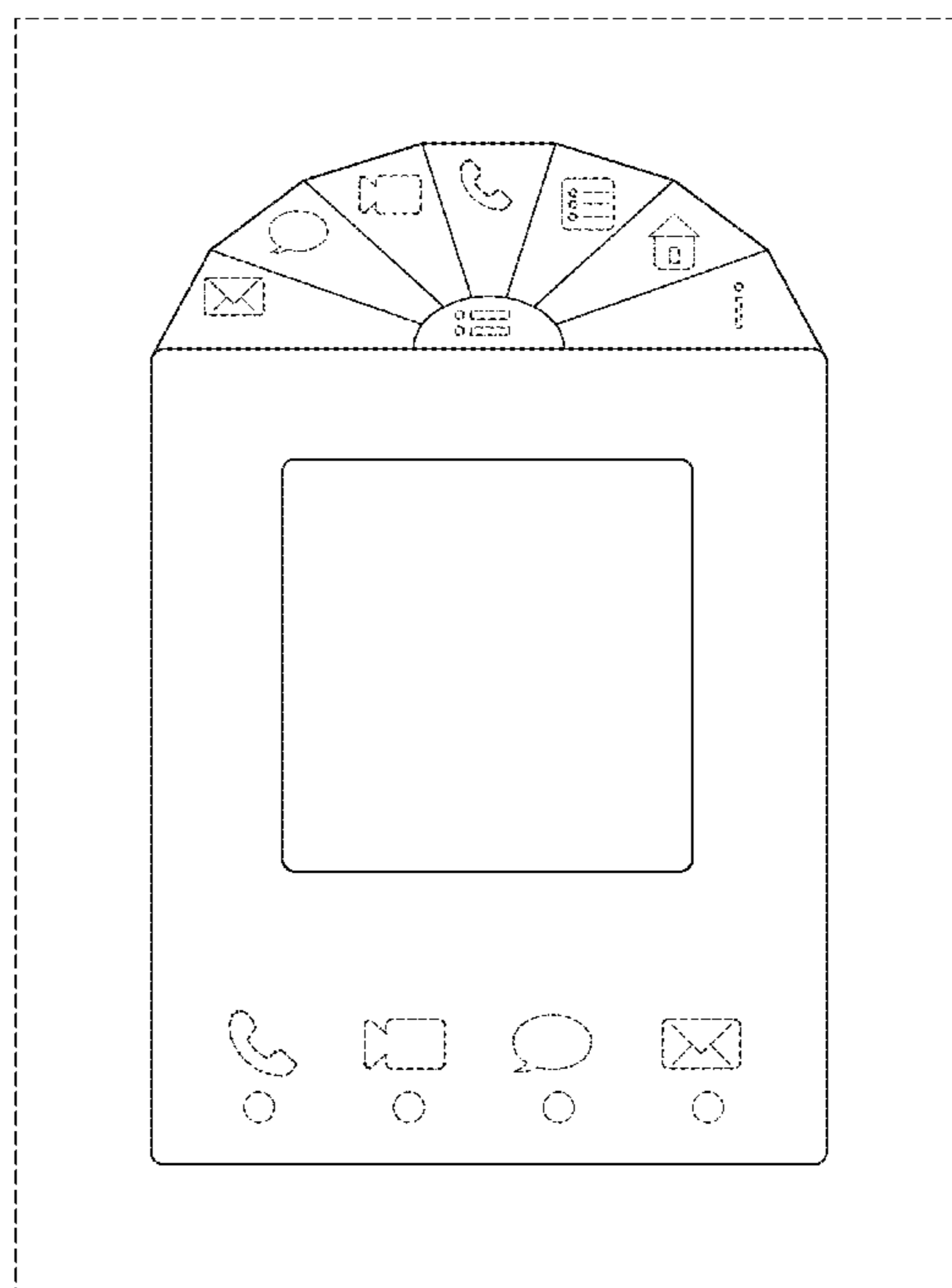
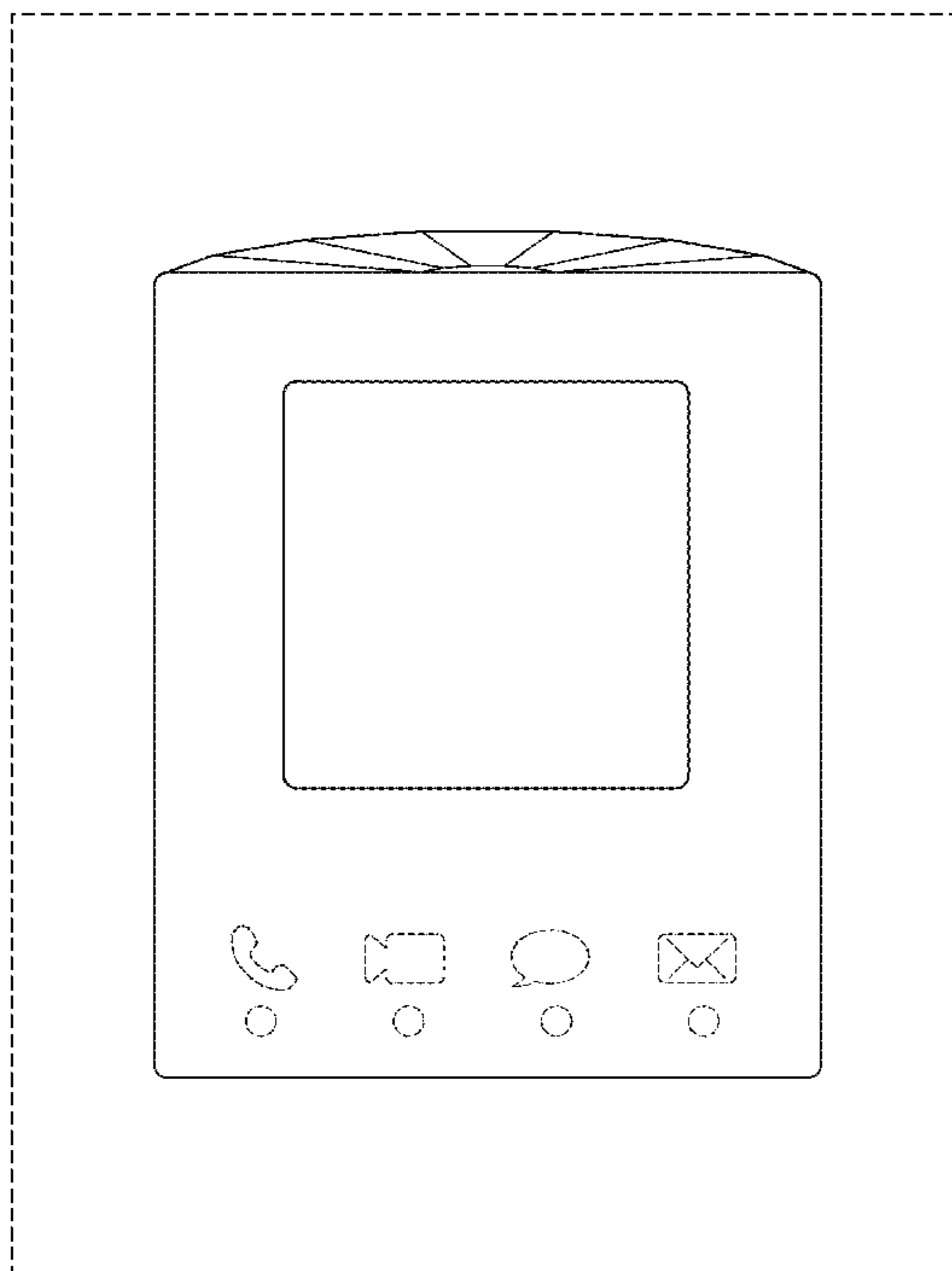
FIG. 3 is a front view of the third image thereof;

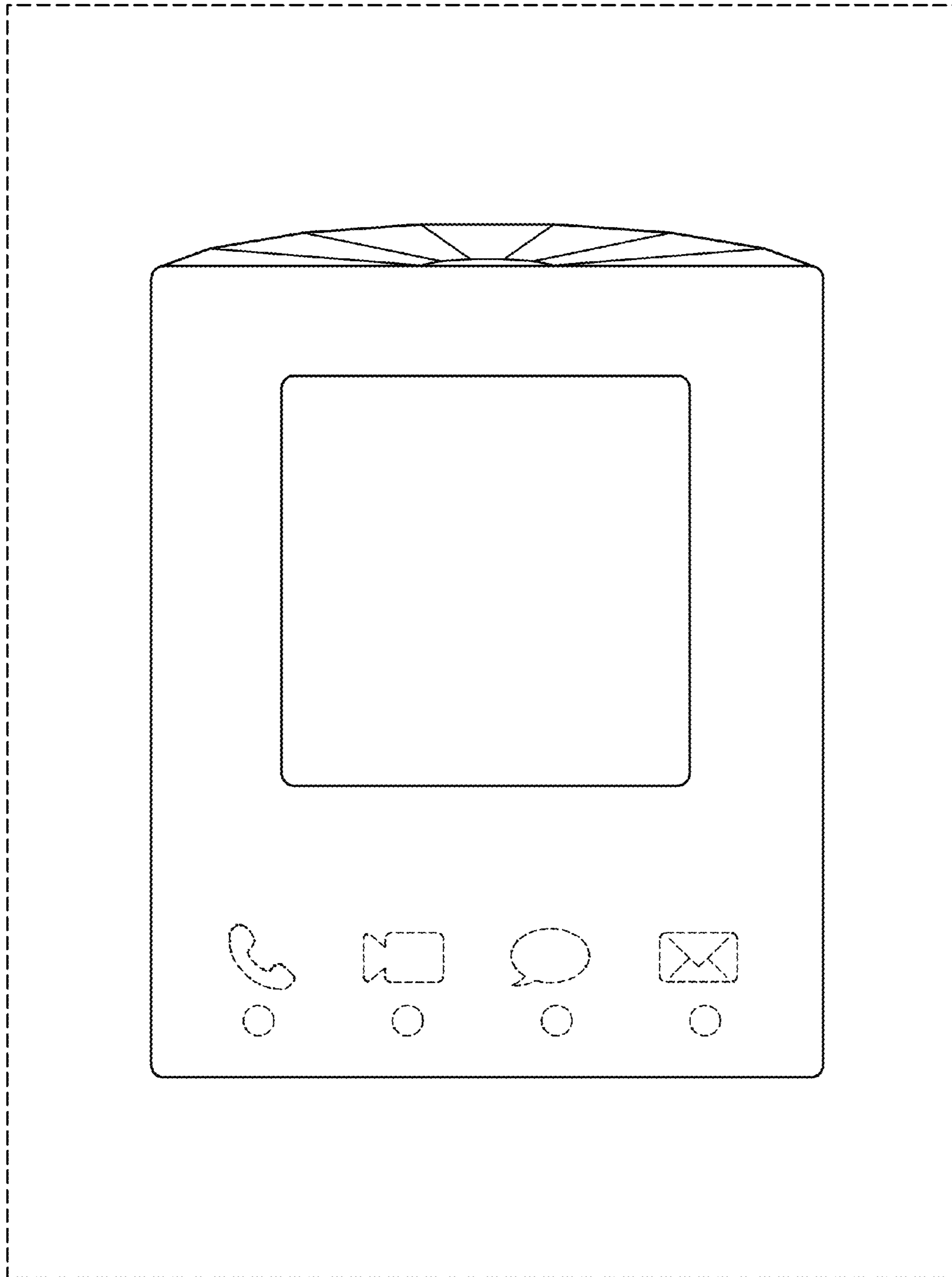
FIG. 4 is a front view of the fourth image thereof; and,

FIG. 5 is a front view of the fifth image thereof.

The appearance of the transitional icon sequentially transitions between images shown in FIGS. 1-5. The process or period in which one image transitions to another image forms no part of the claimed design. Both the broken line showing a portion of a display screen and the dotted lines showing various elements are for illustrative purposes only and form no part of the claimed design.

**1 Claim, 5 Drawing Sheets**





**FIG. 1**

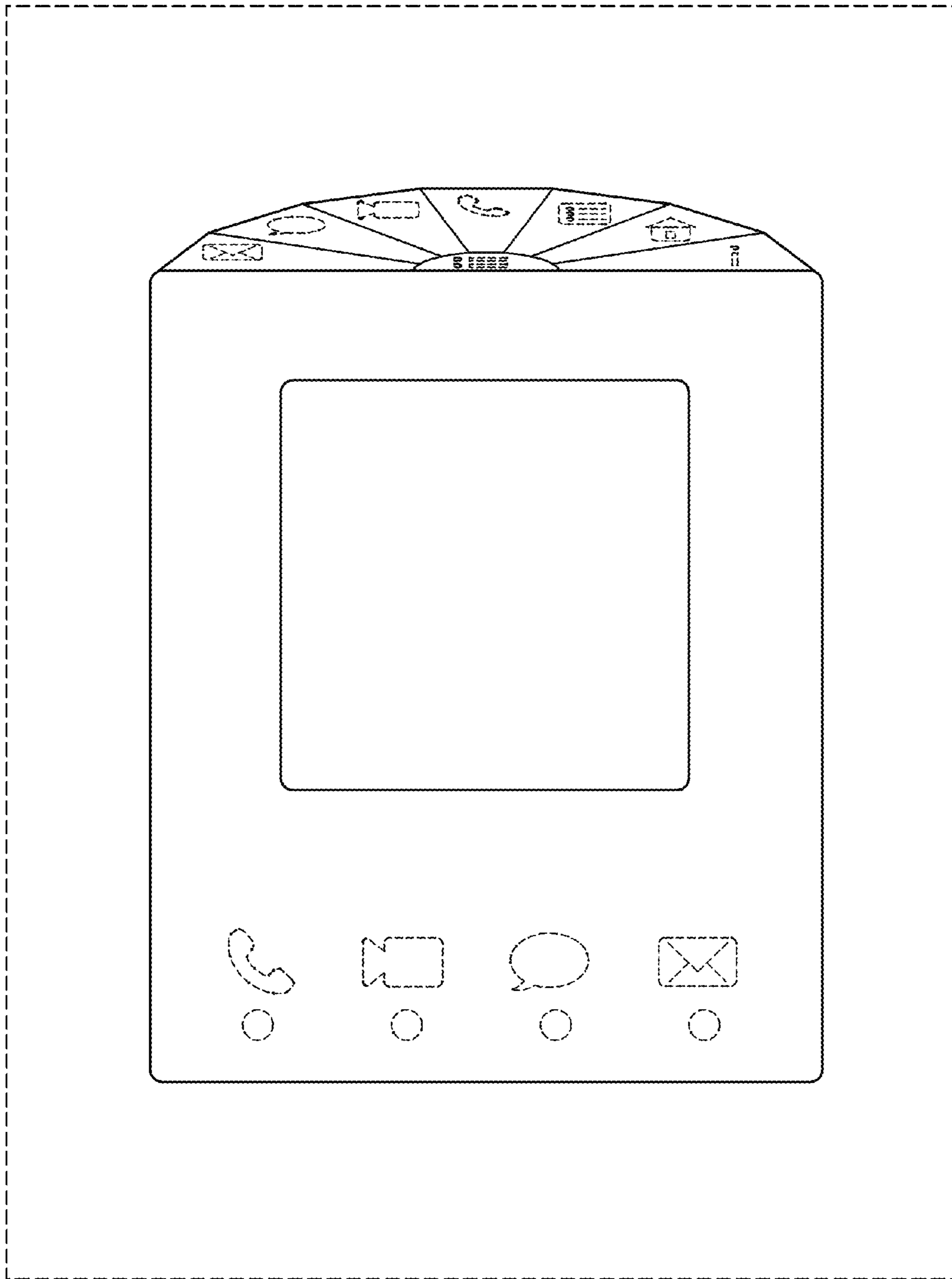
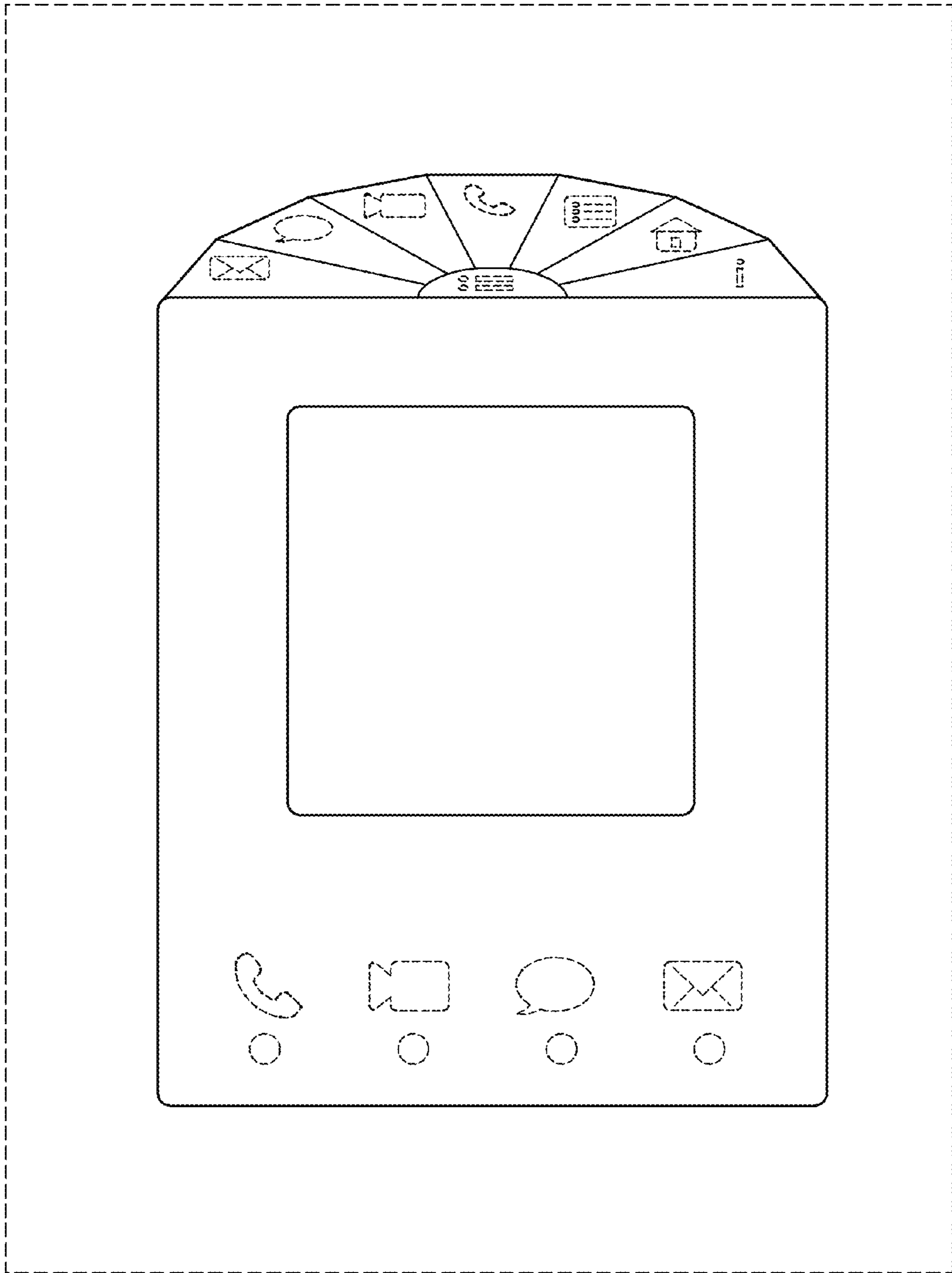
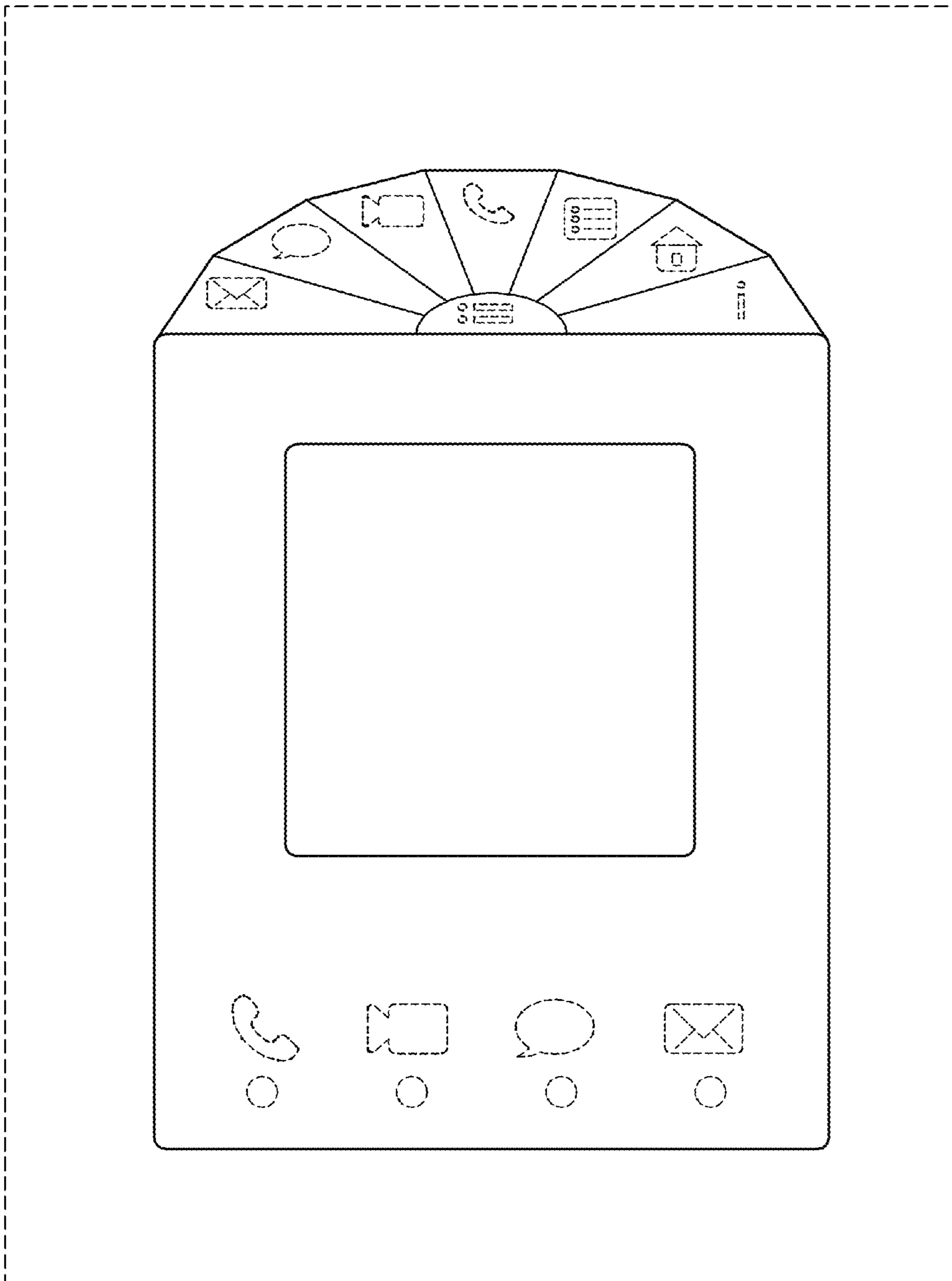


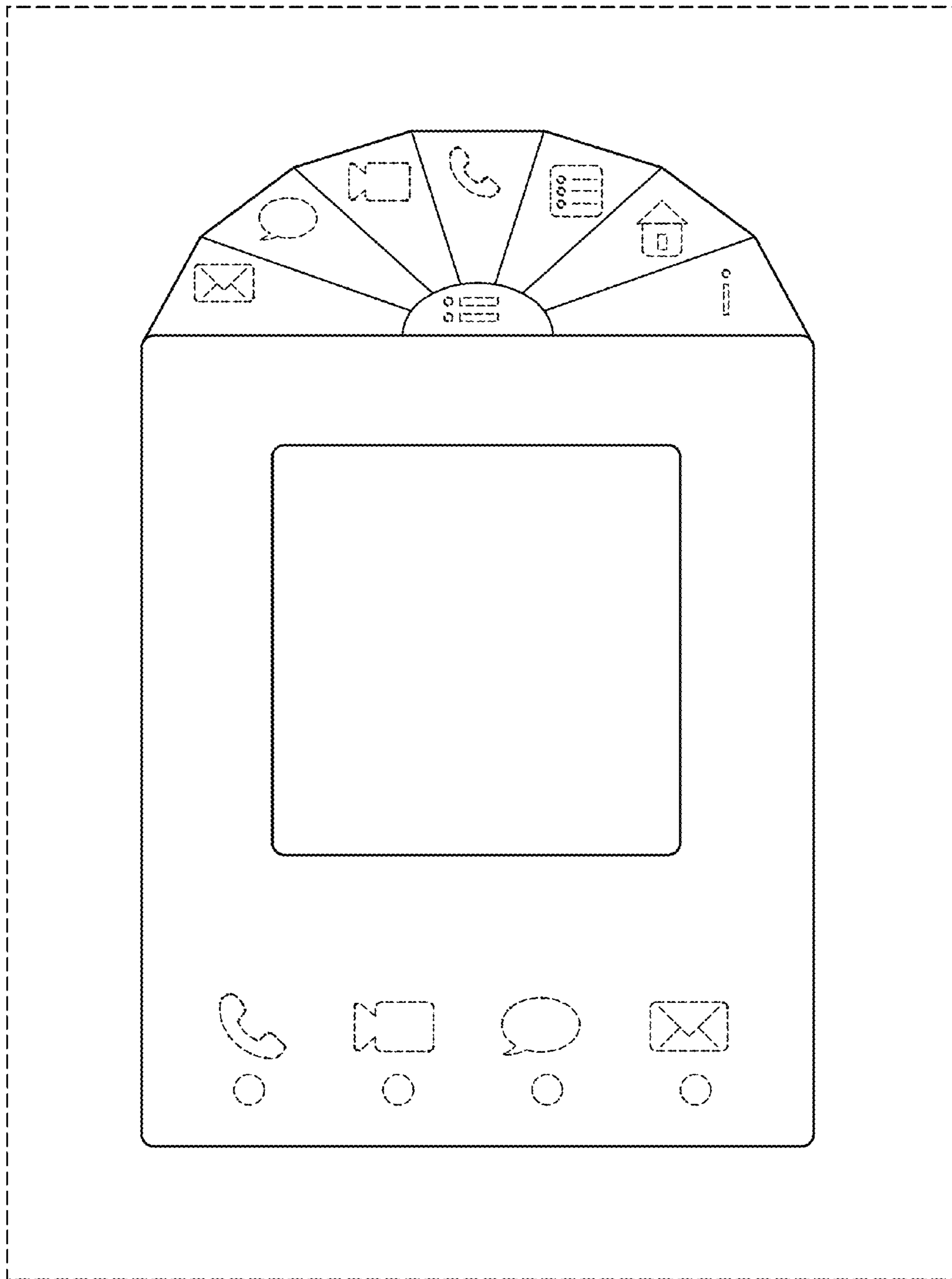
FIG. 2



**FIG. 3**



**FIG. 4**



**FIG. 5**