



US00D684587S

(12) **United States Design Patent**  
**Plesnicher et al.**

(10) **Patent No.:** **US D684,587 S**

(45) **Date of Patent:** **\*\* Jun. 18, 2013**

- (54) **PORTION OF A DISPLAY WITH A GRAPHICAL USER INTERFACE**
- (75) Inventors: **Nathan Plesnicher**, Renton, WA (US);  
**Remon Tijssen**, Mill Valley, CA (US);  
**Allan Padgett**, Seattle, WA (US)
- (73) Assignee: **Adobe Systems Incorporated**, San Jose, CA (US)
- (\*\*) Term: **14 Years**
- (21) Appl. No.: **29/372,657**
- (22) Filed: **Dec. 20, 2010**
- (51) **LOC (9) Cl.** ..... **14-04**
- (52) **U.S. Cl.**  
USPC ..... **D14/486**
- (58) **Field of Classification Search**  
USPC ..... D14/485-495; 715/700, 703, 704,  
715/705, 706, 715, 716, 718, 719, 723, 727,  
715/730, 732, 748, 752, 753, 756, 758, 761,  
715/762, 763, 764, 768, 769, 771, 772, 773,  
715/777, 779, 780, 781, 861, 864, 972, 975,  
715/977, 793, 795, 799, 800, 808, 809, 810,  
715/825, 828, 834, 835, 838, 841, 842, 843,  
715/846, 847; 705/319; 345/14.03, 14.04;  
725/41, 46; 68/12.23  
See application file for complete search history.

|              |    |   |         |                     |       |         |
|--------------|----|---|---------|---------------------|-------|---------|
| D630,644     | S  | * | 1/2011  | Wilson              | ..... | D14/486 |
| D630,646     | S  | * | 1/2011  | Wilson              | ..... | D14/487 |
| D630,647     | S  | * | 1/2011  | Wilson              | ..... | D14/487 |
| D636,779     | S  | * | 4/2011  | Boush et al.        | ..... | D14/486 |
| 7,992,102    | B1 | * | 8/2011  | De Angelo           | ..... | 715/834 |
| D647,914     | S  | * | 11/2011 | Brouwers et al.     | ..... | D14/486 |
| 8,230,339    | B2 | * | 7/2012  | Watanabe et al.     | ..... | 715/713 |
| 2007/0256029 | A1 | * | 11/2007 | Maxwell             | ..... | 715/834 |
| 2009/0327964 | A1 | * | 12/2009 | Mouilleseaux et al. | ..... | 715/834 |
| 2011/0078560 | A1 | * | 3/2011  | Weeldreyer et al.   | ..... | 715/255 |

\* cited by examiner

Primary Examiner — Angela J Lee

(74) *Attorney, Agent, or Firm* — Schwegman Lundberg Woessner P.A.

(57) **CLAIM**  
The ornamental design for a portion of a display with a graphical user interface, as shown and described.

**DESCRIPTION**

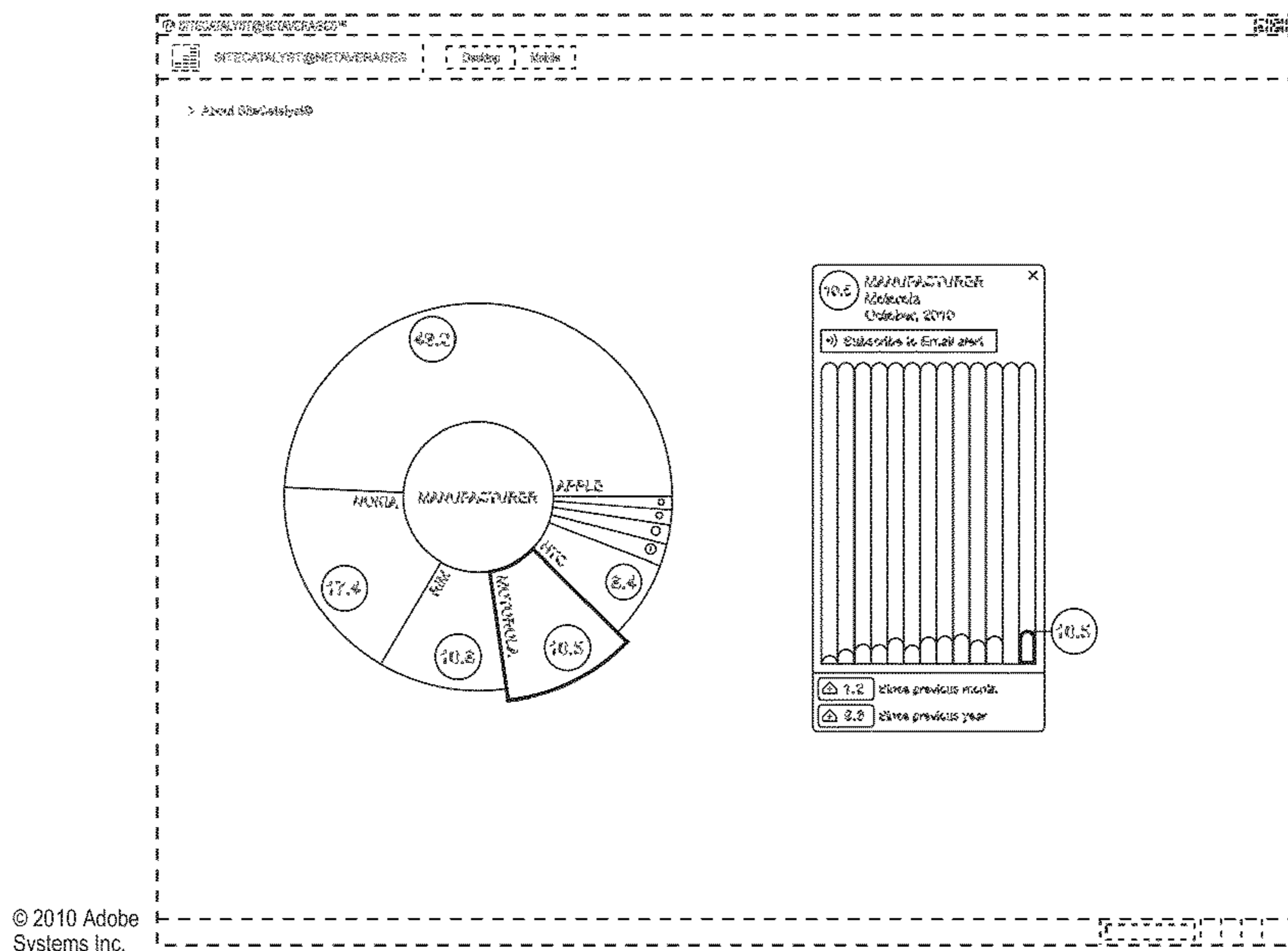
A portion of the disclosure of this patent document contains material which is subject to copyright protection. The copyright owner has no objection to facsimile reproduction by anyone of the patent document or the patent disclosure, as it appears in the Patent and Trademark Office patent file or records, but otherwise reserves all other copyright rights whatsoever. The following notice applies to the drawings that form a part of this document: Copyright © 2010 Adobe Systems Inc.

FIG. 1 is a face view of a portion of a display with a graphical user interface, showing our new design; and, FIG. 2 is a face view of a first modified embodiment of the new design.

The display and subject matter shown in broken lines, including all text, forms no part of the claimed design.

**1 Claim, 2 Drawing Sheets**

- (56) **References Cited**  
**U.S. PATENT DOCUMENTS**  
6,320,586 B1 \* 11/2001 Plattner et al. .... 715/700  
D480,092 S \* 9/2003 Kreikemeier et al. .... D14/486  
D614,192 S \* 4/2010 Takano et al. .... D14/486  
D624,926 S \* 10/2010 Allen et al. .... D14/485  
D630,643 S \* 1/2011 Wilson ..... D14/486



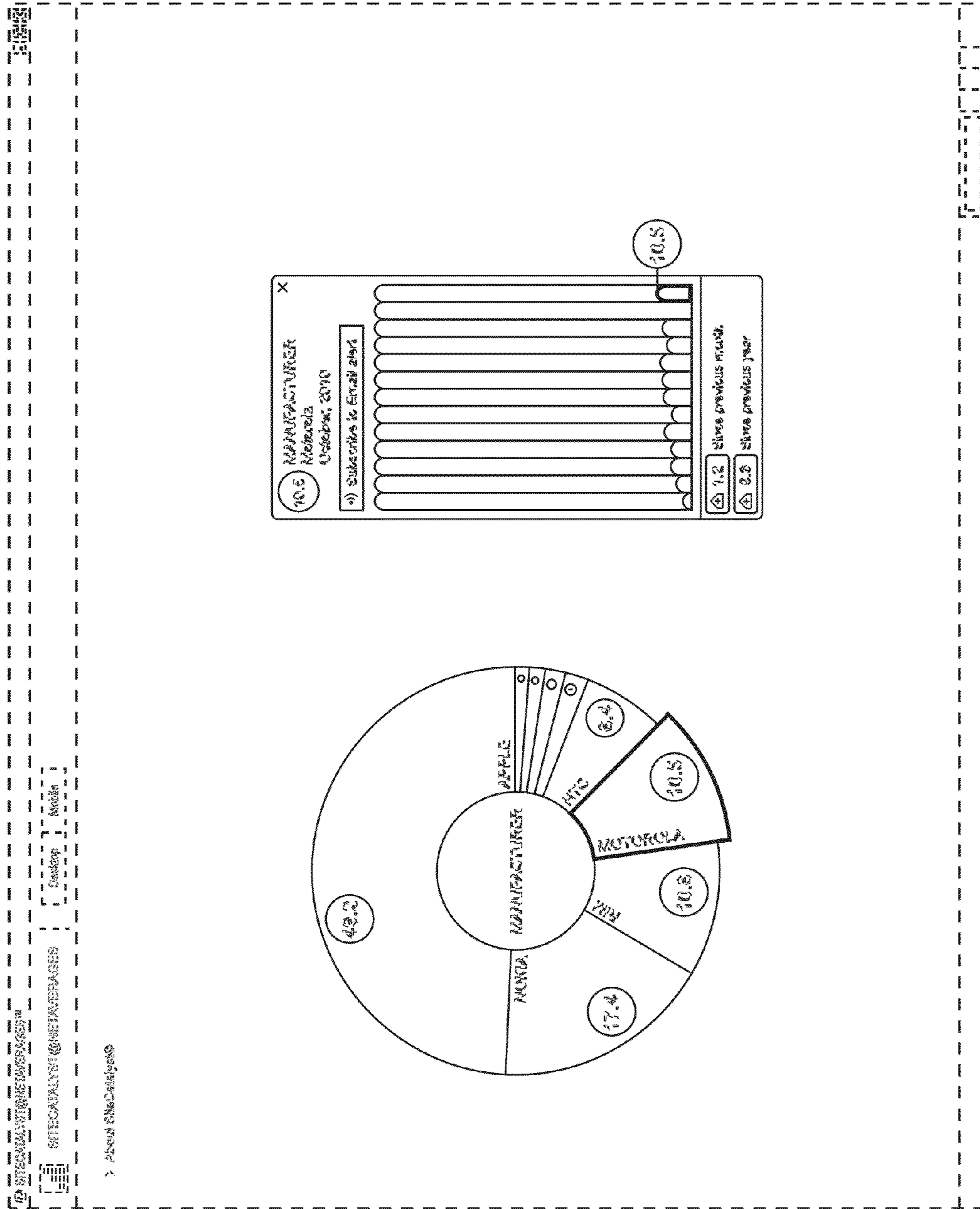


FIG. 1  
© 2010 Adobe Systems Inc.

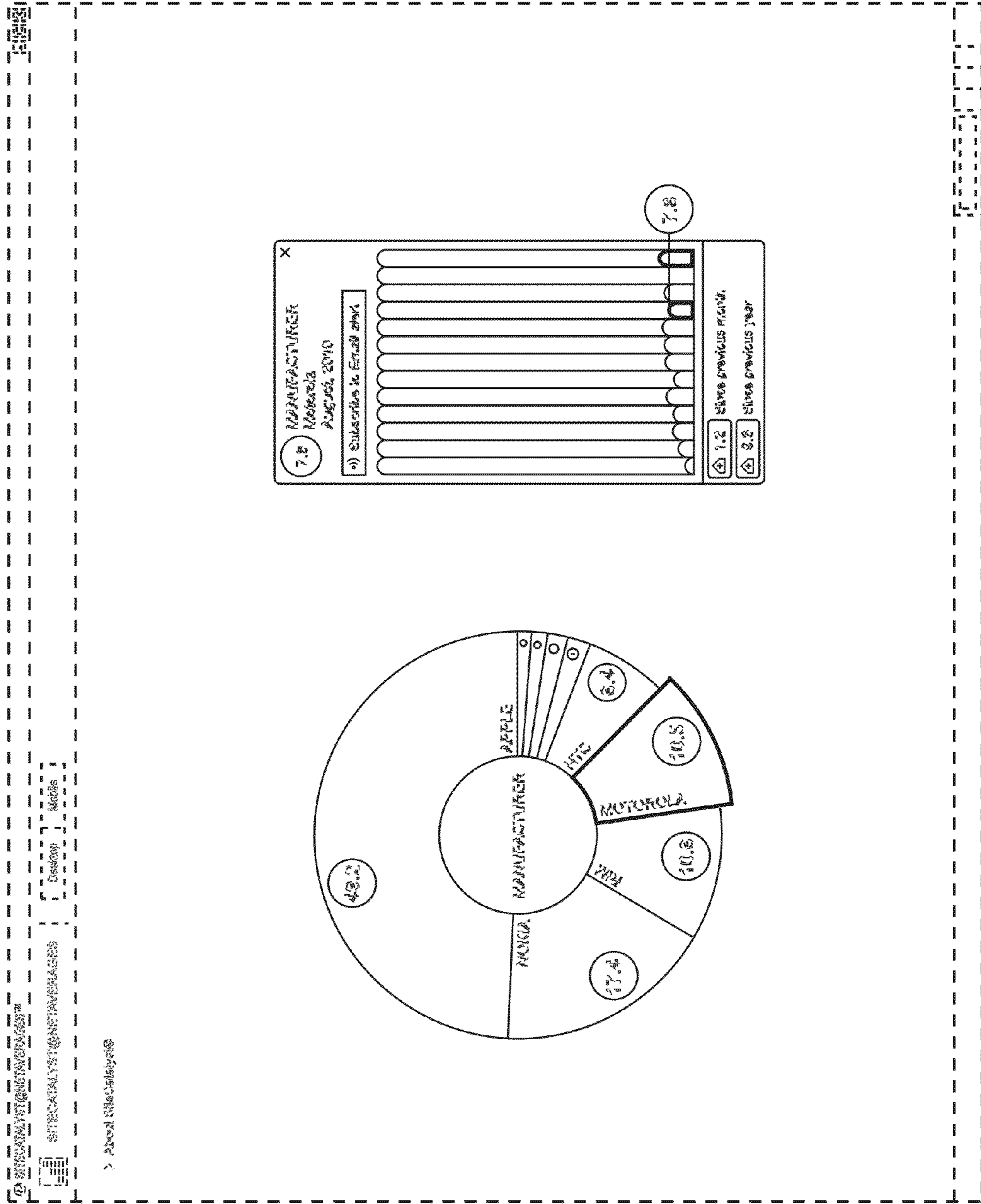


FIG. 2  
© 2010 Adobe  
Systems Inc.