



US00D684581S

(12) **United States Design Patent**
Akana et al.

(10) **Patent No.:** **US D684,581 S**
(45) **Date of Patent:** **** Jun. 18, 2013**

(54) **ELECTRONIC DEVICE**

(75) Inventors: **Jody Akana**, San Francisco, CA (US);
Bartley K. Andre, Menlo Park, CA (US);
Jeremy Bataillou, San Francisco, CA (US);
Daniel J. Coster, San Francisco, CA (US);
Daniele De Iuliis, San Francisco, CA (US);
Evans Hankey, San Francisco, CA (US);
Richard P. Howarth, San Francisco, CA (US);
Jonathan P. Ive, San Francisco, CA (US);
Duncan Robert Kerr, San Francisco, CA (US);
Shin Nishibori, Portola Valley, CA (US);
Matthew Dean Rohrbach, San Francisco, CA (US);
Peter Russell-Clarke, San Francisco, CA (US);
Christopher J. Stringer, Woodside, CA (US);
Eugene Antony Whang, San Francisco, CA (US);
Rico Zorkendorfer, San Francisco, CA (US)

(73) Assignee: **Apple Inc.**, Cupertino, CA (US)

(**) Term: **14 Years**

(21) Appl. No.: **29/406,040**

(22) Filed: **Nov. 9, 2011**

Related U.S. Application Data

(62) Division of application No. 29/345,580, filed on Oct. 19, 2009, now Pat. No. Des. 651,607.

(51) **LOC (9) Cl.** **14-04**

(52) **U.S. Cl.**
USPC **D14/448**

(58) **Field of Classification Search**
USPC D14/448, 439, 440, 447, 449, 450,
D14/451, 452, 432, 434, 457, 336, 337, 339,
D14/340, 371, 372, 373, 374, 375, 376, 377,
D14/378, 379, 380, 381, 382, 126, 127, 128,
D14/129, 203.8, 217, 238.1, 239; 345/905;
248/917, 918, 919, 920, 921, 922, 923, 924;
348/184, 739, 761, 791, 825, 834, 835; 349/58,
349/60

See application file for complete search history.

(56) **References Cited**

U.S. PATENT DOCUMENTS

D401,574 S 11/1998 Leman et al.
D416,549 S 11/1999 Coster et al.

(Continued)

OTHER PUBLICATIONS

Macworld magazine, Jun. 2007, cover.

(Continued)

Primary Examiner — Angela J Lee

(74) *Attorney, Agent, or Firm* — Saidman DesignLaw Group

(57) **CLAIM**

The ornamental design for an electronic device, as shown and described.

DESCRIPTION

FIG. 1 is a front perspective view of an electronic device showing our new design;

FIG. 2 is an enlarged view of the portion Y encircled in FIG. 1;

FIG. 3 is rear perspective view thereof;

FIG. 4 is a front view thereof;

FIG. 5 is an enlarged view of the portion Z encircled in FIG. 4;

FIG. 6 is a rear view thereof;

FIG. 7 is a right side view thereof;

FIG. 8 is a left side view thereof;

FIG. 9 is an enlarged view of the portion W encircled in FIG. 8;

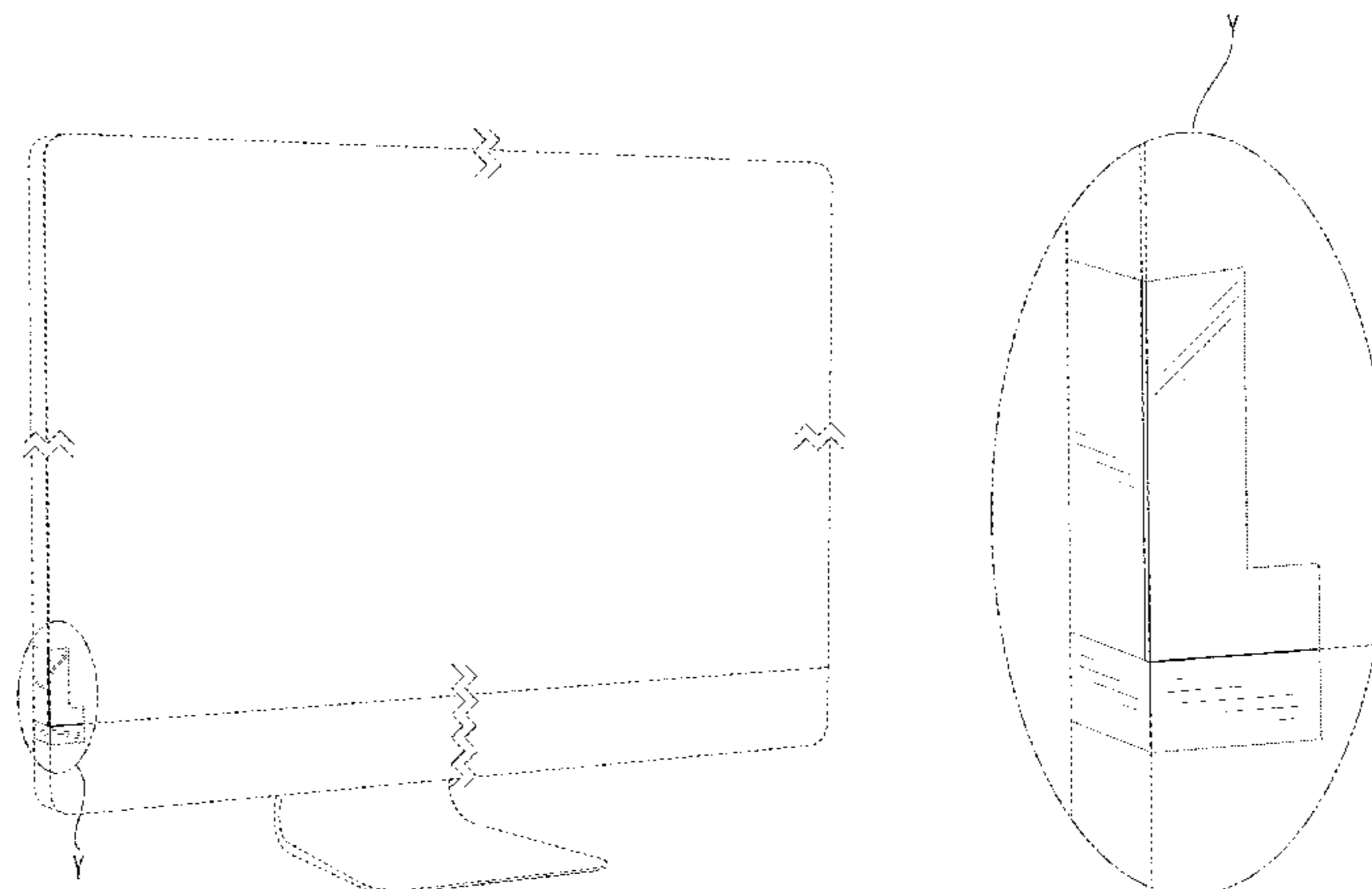
FIG. 10 is a top view thereof;

FIG. 11 is a bottom view thereof; and,

FIG. 12 is an alternative bottom view thereof with the stand removed.

The dashed broken lines illustrate environmental structure and form no part of the claimed design. The dotted broken lines define boundaries of the claimed design and form no part thereof. The dot-dot-dash broken lines encircle portions of the claimed design that are illustrated in different magnifications. The pairs of closely spaced jagged lines indicate no particular length and form no part of the claimed design.

1 Claim, 10 Drawing Sheets



US D684,581 S

Page 2

U.S. PATENT DOCUMENTS

D416,876 S 11/1999 Yin
D416,877 S 11/1999 Liu et al.
D423,475 S 4/2000 Maruyama et al.
D425,035 S 5/2000 Kondo et al.
D428,415 S 7/2000 Shibata
D434,763 S 12/2000 Jobs et al.
D453,022 S 1/2002 Oba
D454,352 S 3/2002 Love et al.
6,381,125 B1 4/2002 Mizoguchi et al.
D457,864 S 5/2002 Bong et al.
D483,020 S 12/2003 Nagao et al.
D483,363 S 12/2003 Olson et al.
D487,271 S * 3/2004 Korpai D14/448
D489,042 S 4/2004 Joe et al.
D492,291 S 6/2004 Takahashi et al.
D495,706 S 9/2004 Lin et al.
D499,097 S 11/2004 Tsuji et al.
D504,876 S 5/2005 Zheng
D504,889 S 5/2005 Andre et al.
D510,730 S 10/2005 Asanuma et al.
D516,557 S 3/2006 Noda et al.
D520,006 S 5/2006 Chen et al.
D529,913 S 10/2006 Chen et al.
D531,631 S 11/2006 Andre et al.
D532,011 S 11/2006 Andre et al.
D541,234 S 4/2007 Iijima et al.
D541,278 S 4/2007 Hsu et al.
D541,799 S 5/2007 Andre et al.
D543,517 S 5/2007 Chikuma et al.
7,232,098 B2 6/2007 Rawlings et al.
D545,820 S 7/2007 Won et al.
D549,674 S * 8/2007 Lee et al. D14/126
D556,755 S 12/2007 Lee et al.
D562,274 S 2/2008 Wang
D565,518 S 4/2008 Tu
D566,066 S 4/2008 Wang
D567,196 S 4/2008 Shih

D574,382 S * 8/2008 Tsukahara D14/432
D577,344 S * 9/2008 Hacker et al. D14/126
D598,446 S 8/2009 Pan et al.
D600,696 S 9/2009 Andre et al.
D604,733 S 11/2009 Andre et al.
D605,193 S 12/2009 Andre et al.
D615,542 S * 5/2010 Oikawa et al. D14/374
D618,242 S * 6/2010 Akana et al. D14/374
D621,833 S * 8/2010 Chang et al. D14/374
D624,513 S * 9/2010 Mitsunashi D14/126
D627,823 S * 11/2010 Ligouri D19/52
D634,321 S * 3/2011 Kurihara et al. D14/371
D651,607 S * 1/2012 Akana et al. D14/448
D656,470 S * 3/2012 Kubota et al. D14/126
D658,646 S * 5/2012 Akana et al. D14/336
D667,008 S * 9/2012 Oikawa et al. D14/374
D675,583 S * 2/2013 Kubota D14/126
2002/0020792 A1 2/2002 Lee
2003/0189155 A1 10/2003 Serbinski et al.
2006/0076463 A1 4/2006 Drew
2006/0237599 A1 10/2006 Ternus et al.

OTHER PUBLICATIONS

U.S. Appl. No. 29/289,807 entitled "Computer" filed Aug. 1, 2007, as amended Aug. 25, 2009.

Apple iMac, <http://www.apple.com/imac>, available at least as early as Oct. 10, 2008.

U.S. Appl. No. 29/326,226 entitled "Monitor" filed Oct. 14, 2008, as amended Aug. 9, 2009.

U.S. Appl. No. 29/327,929 entitled "Electronic Device" filed Nov. 14, 2008, as amended Jan. 26, 2009.

U.S. Appl. No. 29/338,530 entitled "Monitor" filed Jun. 12, 2009.

U.S. Appl. No. 29/345,525 entitled "Computer" filed Aug. 26, 2009.

U.S. Appl. No. 29/345,722 entitled "Computer" filed Oct. 21, 2009.

* cited by examiner

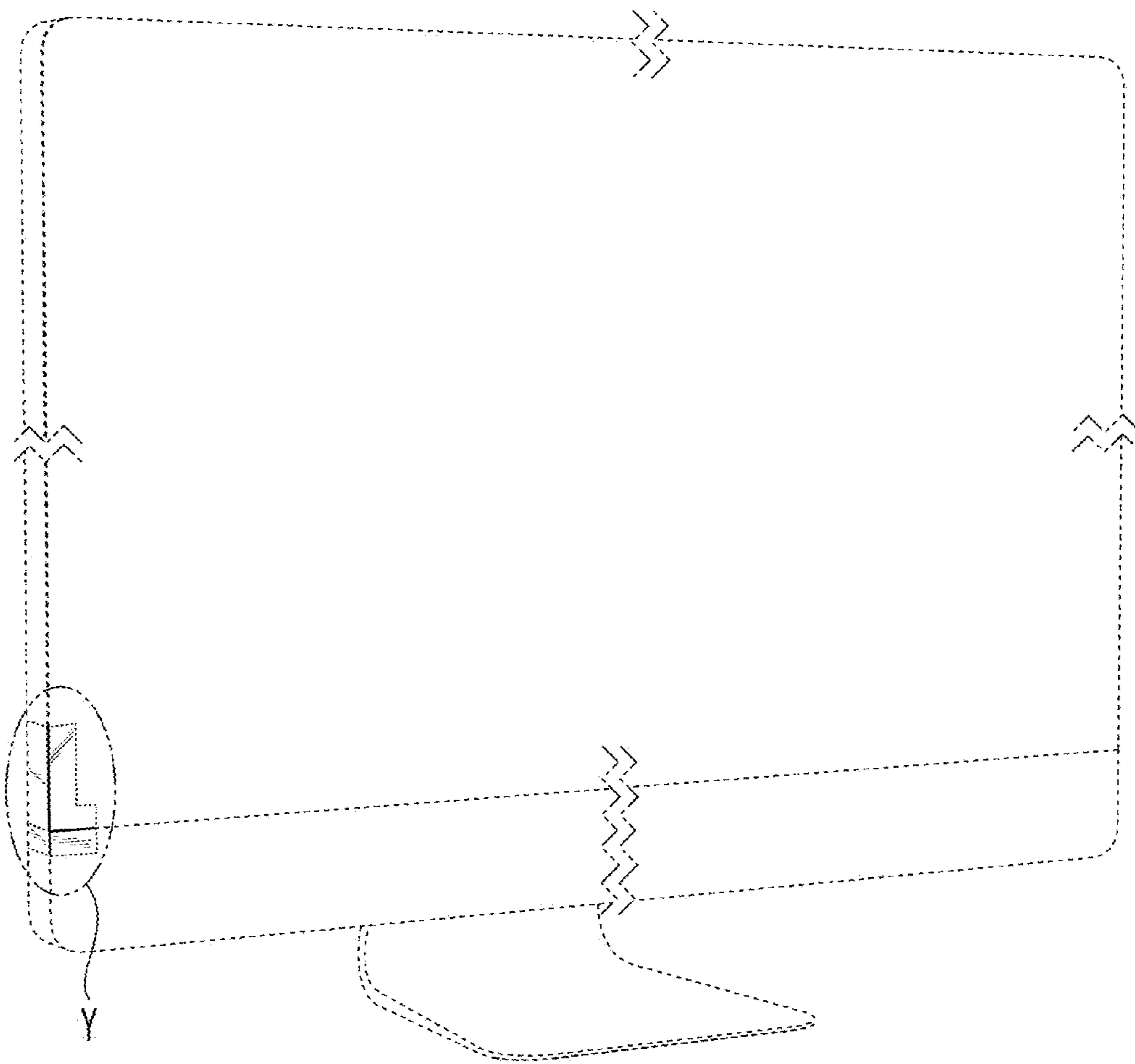


FIG. 1

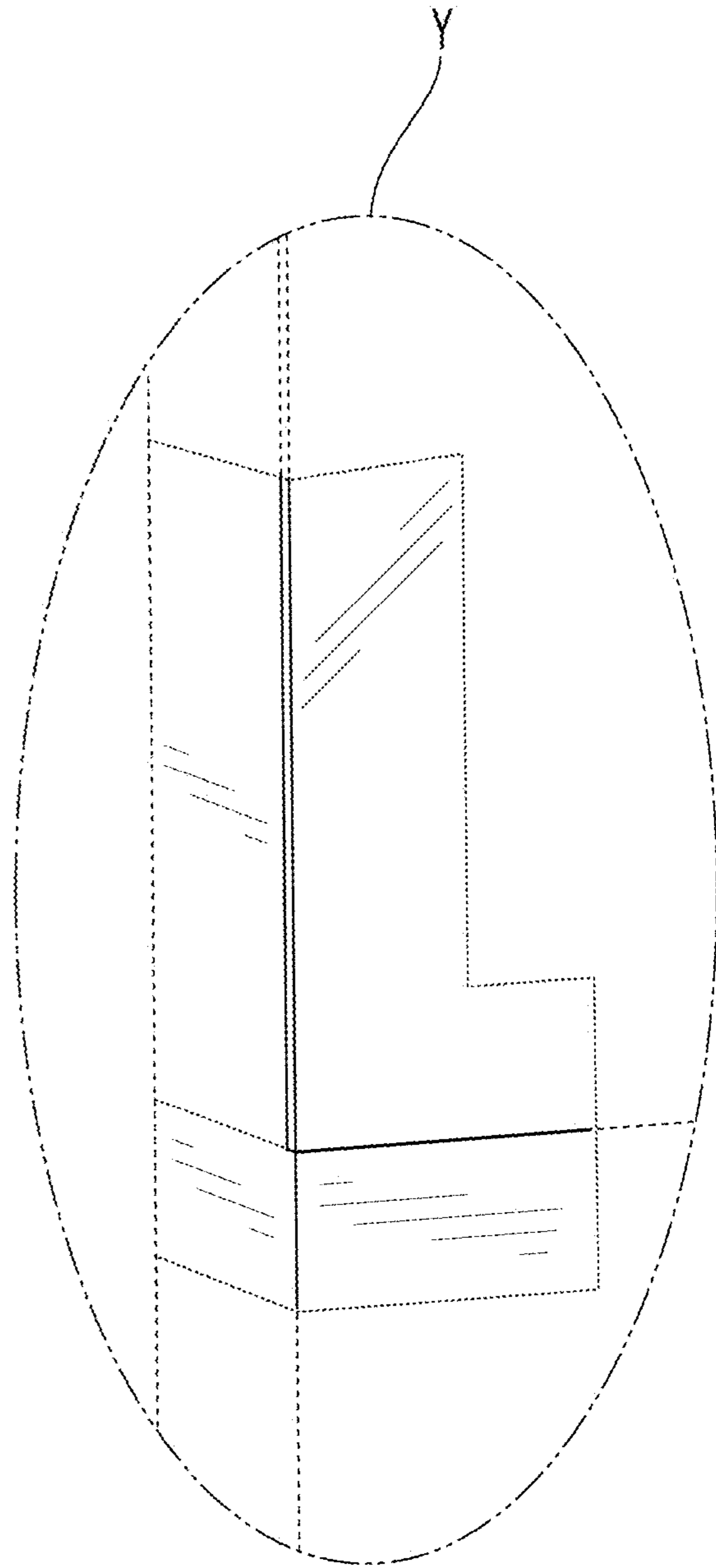


FIG. 2

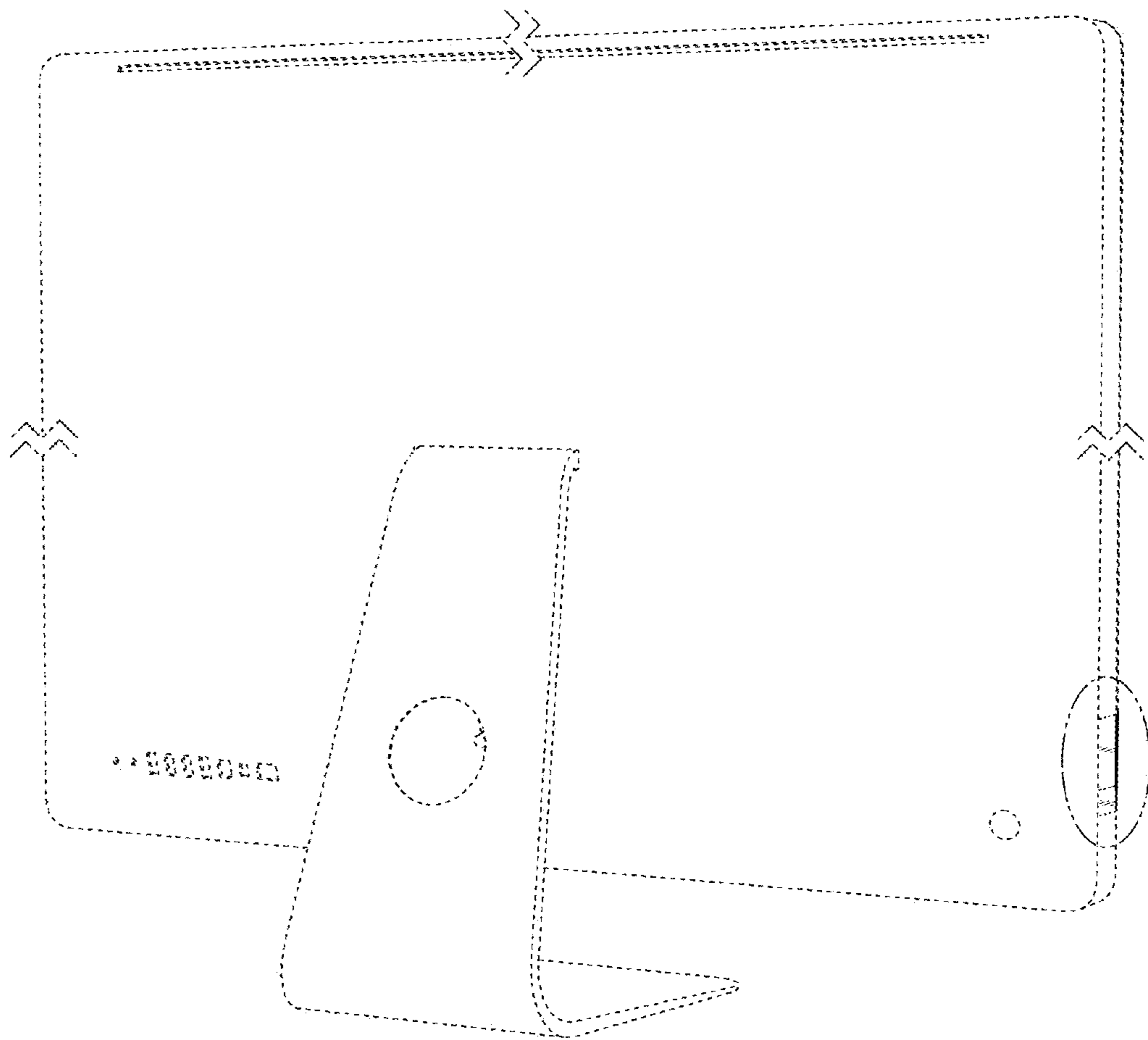


FIG. 3

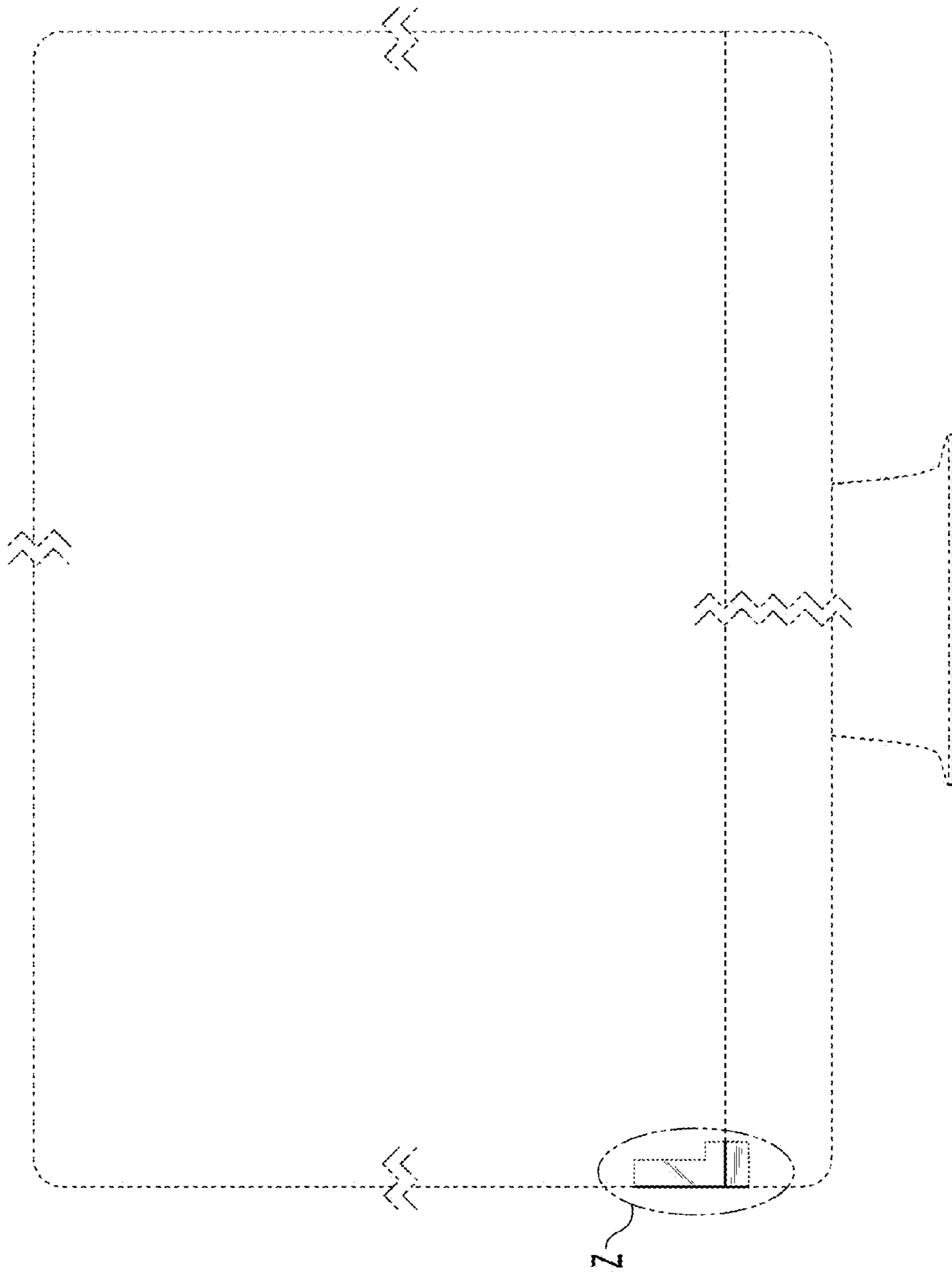


FIG. 4

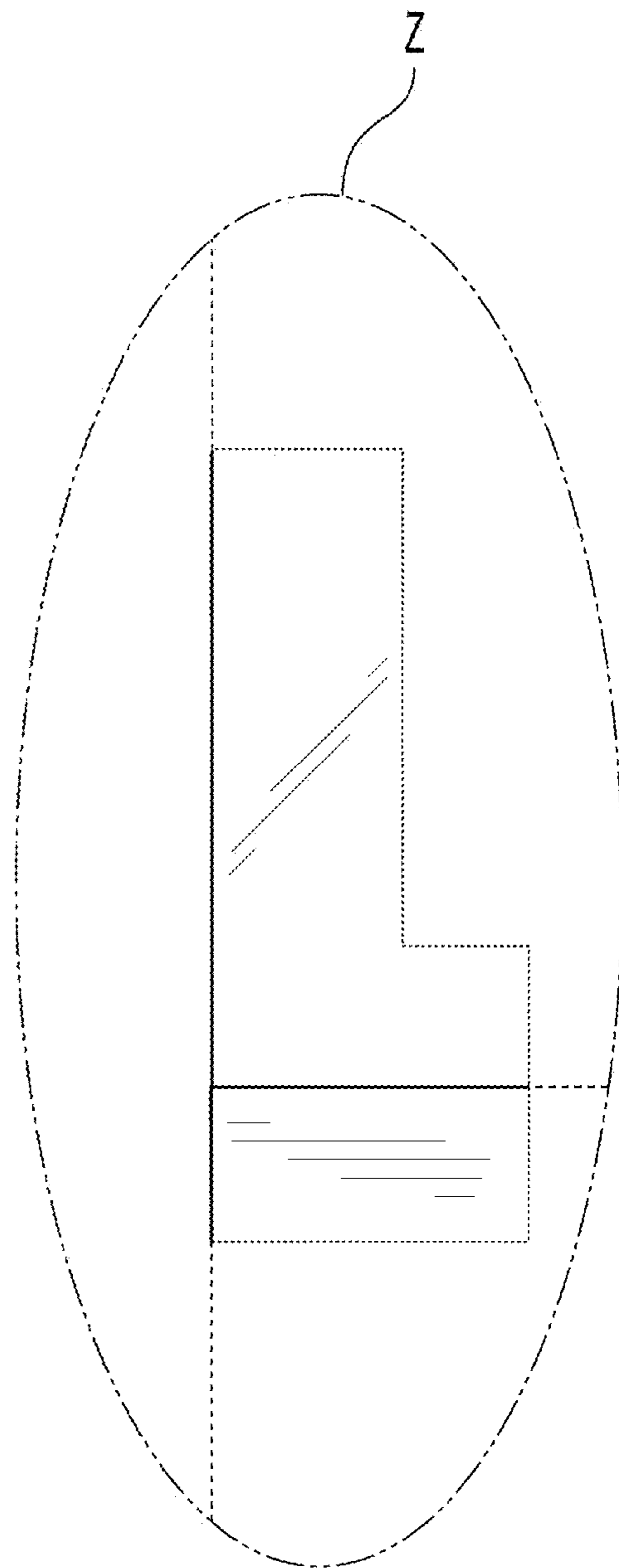


FIG. 5

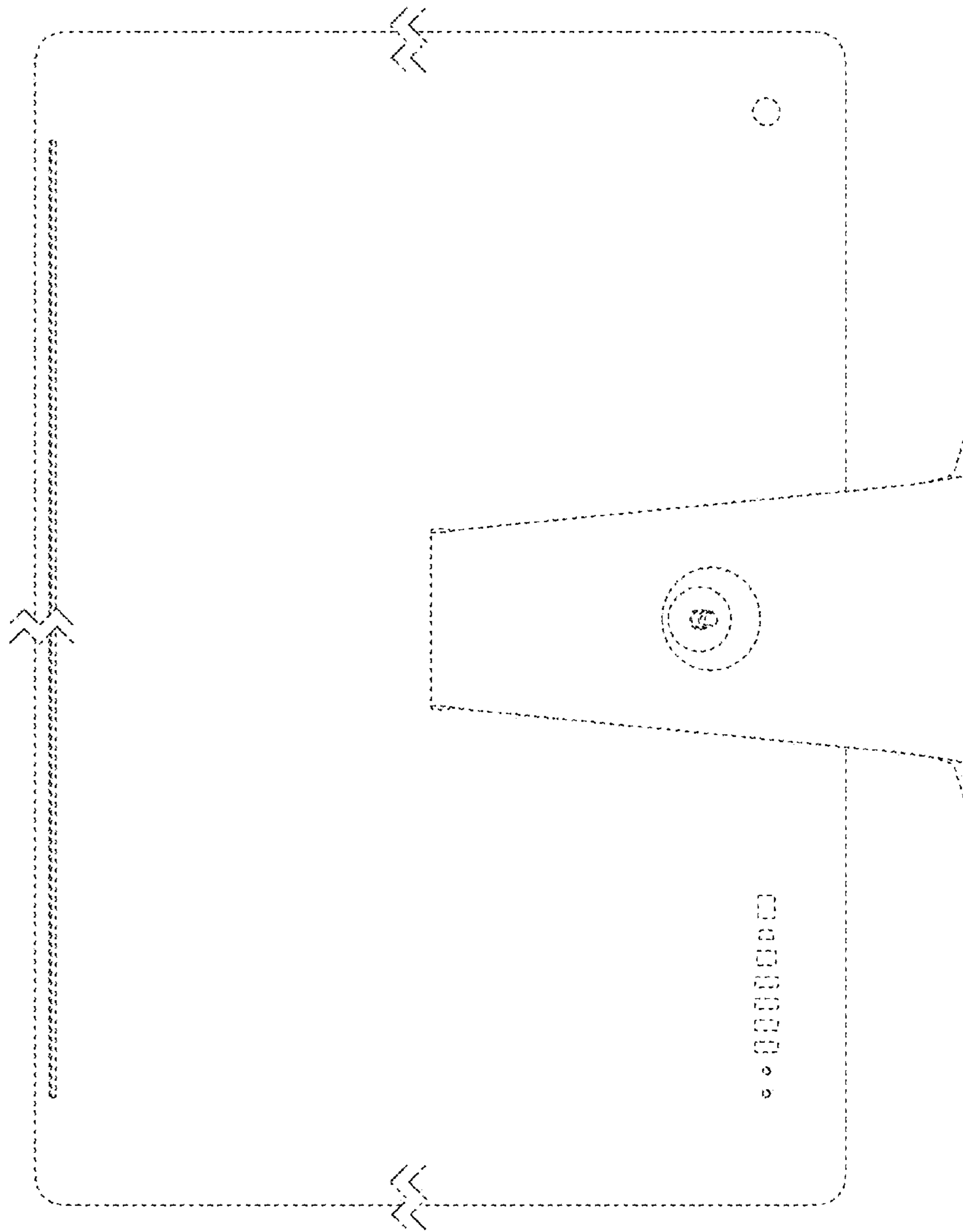


FIG. 6

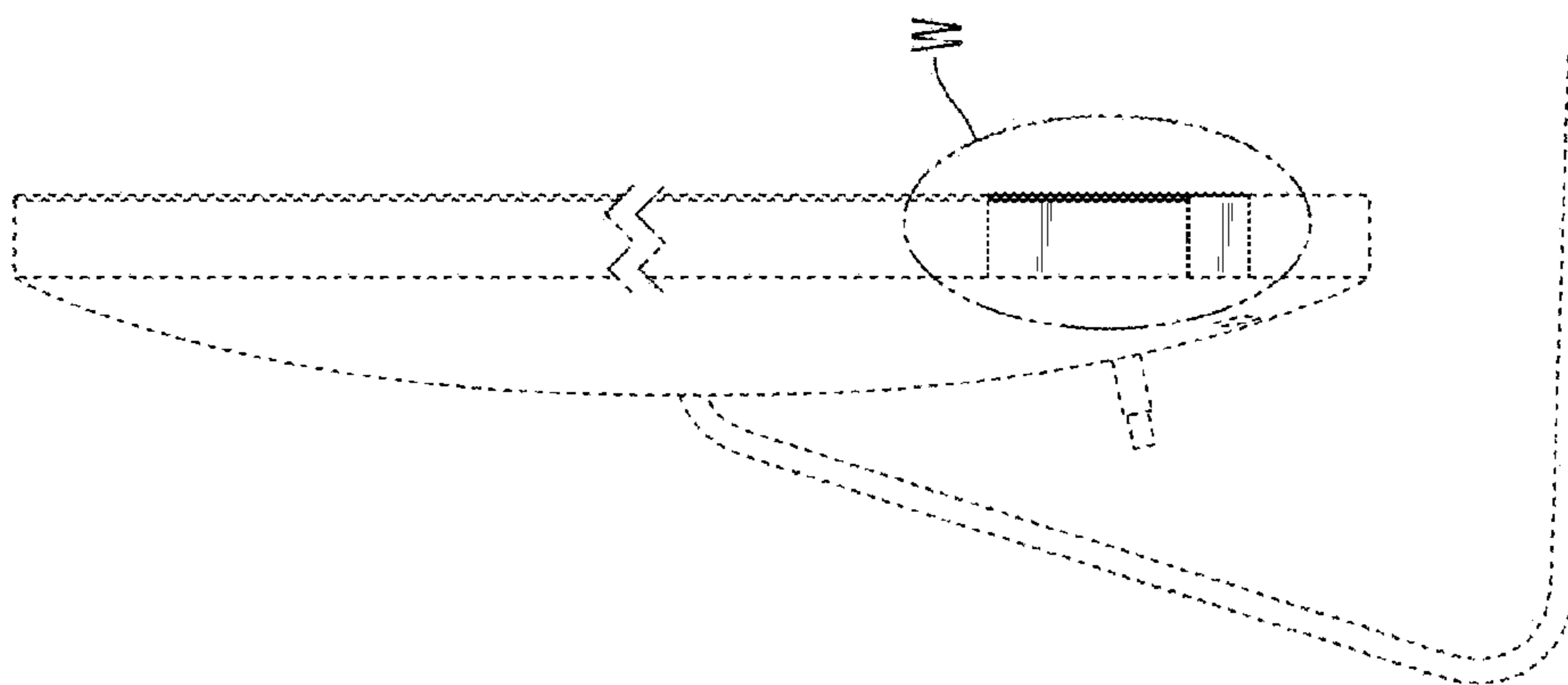


FIG. 7

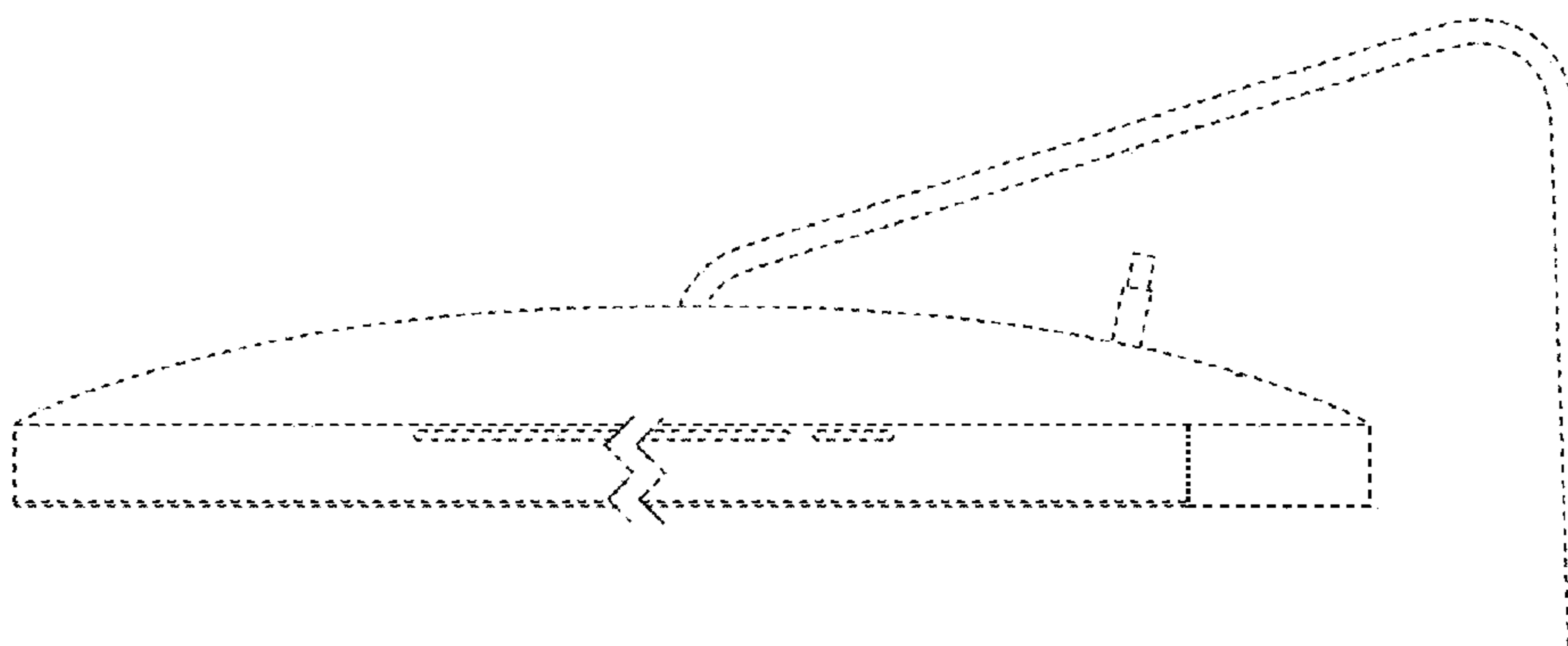


FIG. 8

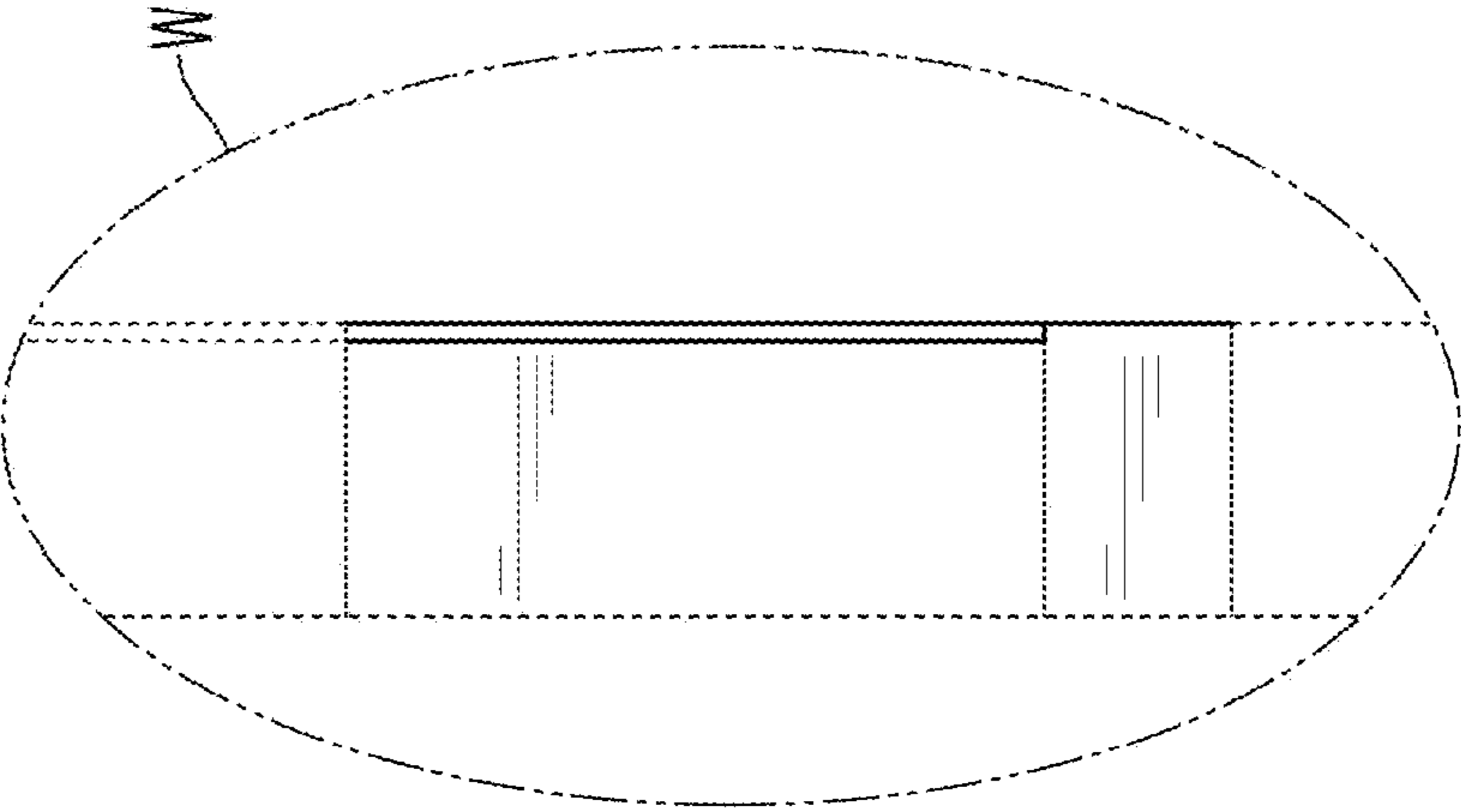


FIG. 9

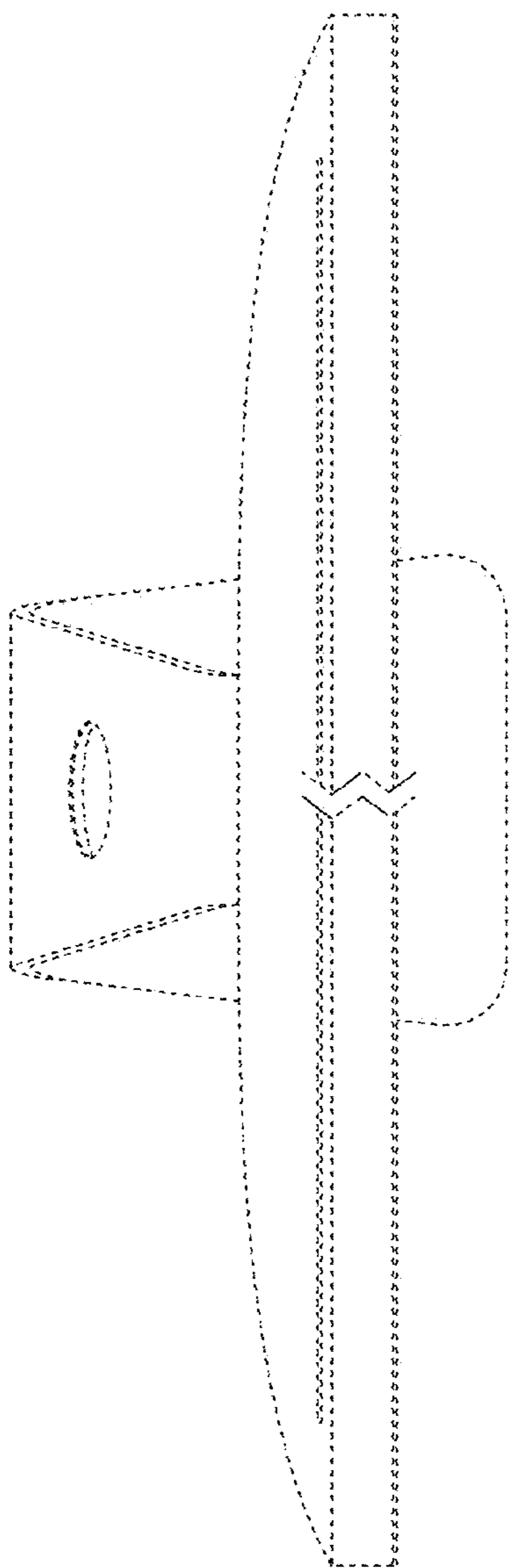


FIG. 10

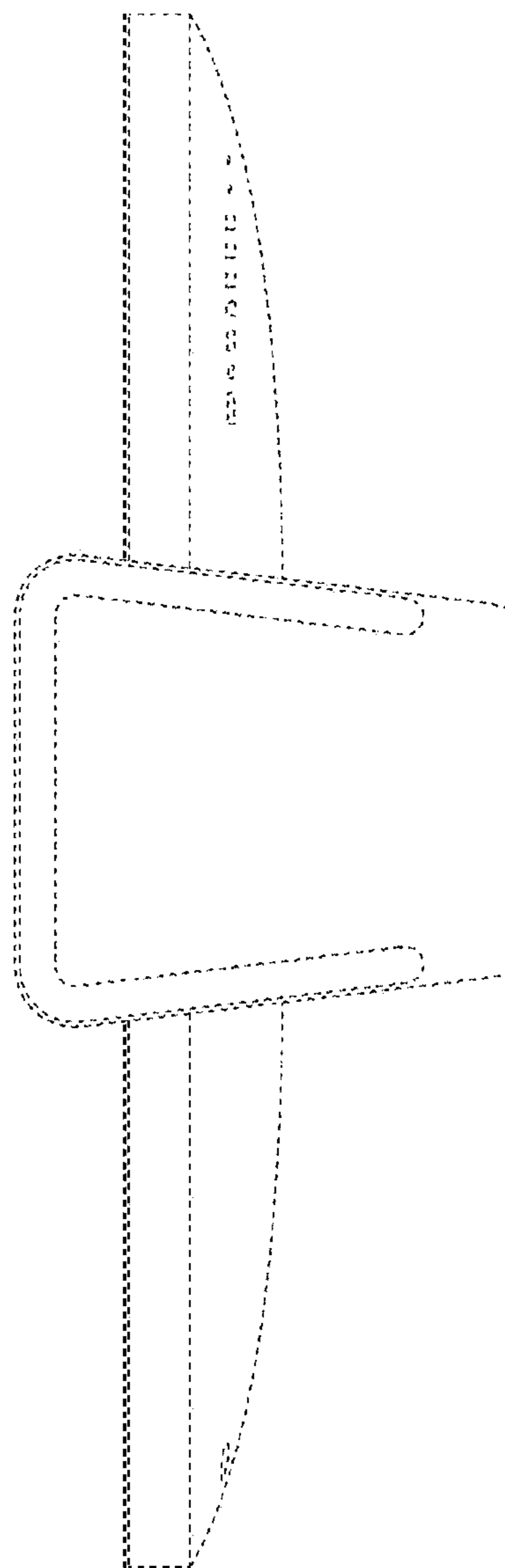


FIG. 11

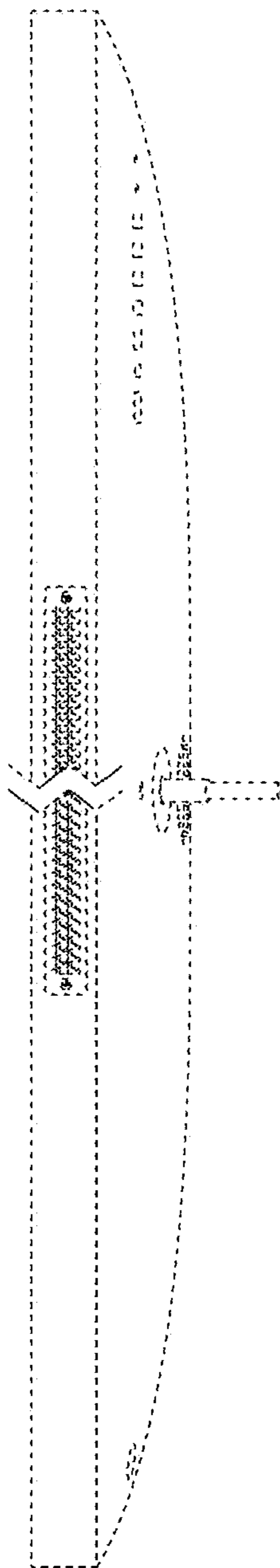


FIG. 12