



US00D684573S

(12) **United States Design Patent**
Chen

(10) **Patent No.:** **US D684,573 S**
(45) **Date of Patent:** **** Jun. 18, 2013**

- (54) **DISPLAY DEVICE**
- (75) Inventor: **Yi Cheng Chen**, New Taipei (TW)
- (73) Assignee: **Hannspree, Inc.**, Taipei County (TW)
- (**) Term: **14 Years**
- (21) Appl. No.: **29/423,638**
- (22) Filed: **Jun. 4, 2012**
- (51) **LOC (9) Cl.** **14-02**
- (52) **U.S. Cl.**
USPC **D14/374**
- (58) **Field of Classification Search**
USPC .. D14/371-376, 125-129, 336, 337; D6/308,
D6/311; 345/104, 156, 173, 174, 901-905;
348/180, 184, 325, 739; 361/679.08, 679.23;
349/1, 2, 11, 58; 248/917-924, 371; 341/12
See application file for complete search history.

D518,049 S *	3/2006	Depay	D14/375
D519,506 S *	4/2006	Jung et al.	D14/375
D520,004 S *	5/2006	Baek et al.	D14/375
D578,972 S *	10/2008	Oh et al.	D14/126
D632,291 S *	2/2011	Park	D14/374
D643,036 S *	8/2011	Chien	D14/374
D647,905 S *	11/2011	Lee et al.	D14/374

* cited by examiner

Primary Examiner — Freda S Nunn
(74) *Attorney, Agent, or Firm* — Bacon & Thomas, PLLC

(57) **CLAIM**
The ornamental design for the display device, as shown and described.

DESCRIPTION

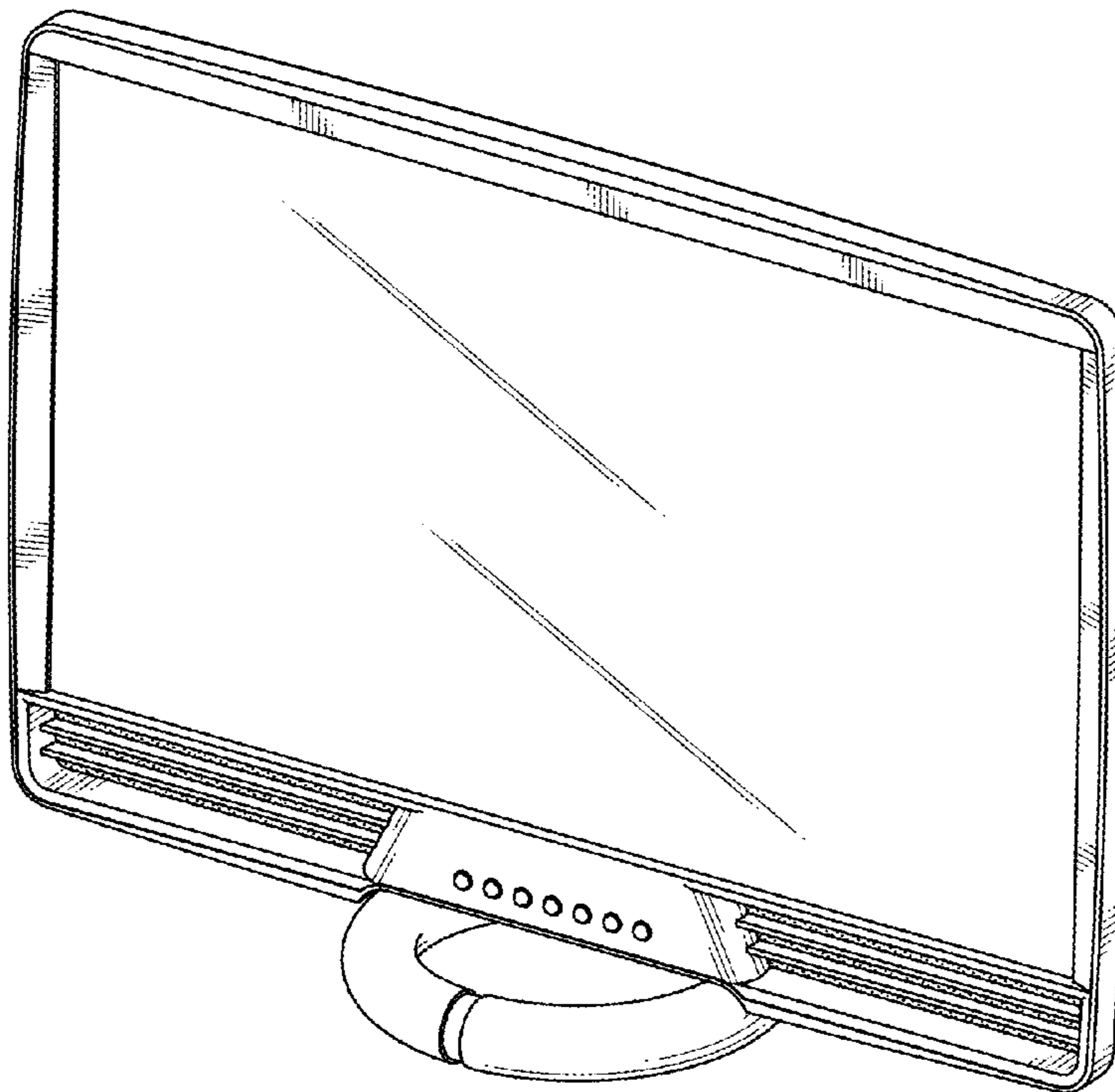
FIG. 1 is a top, front, and right side perspective view of a display device showing my new design;
FIG. 2 is a front view thereof;
FIG. 3 is a rear view thereof;
FIG. 4 is a left side view thereof;
FIG. 5 is a right side view thereof;
FIG. 6 is a top plan view thereof; and,
FIG. 7 is a bottom plan view thereof.

(56) **References Cited**

U.S. PATENT DOCUMENTS

D489,721 S *	5/2004	Peng et al.	D14/371
D496,046 S *	9/2004	Lo	D14/375

1 Claim, 5 Drawing Sheets



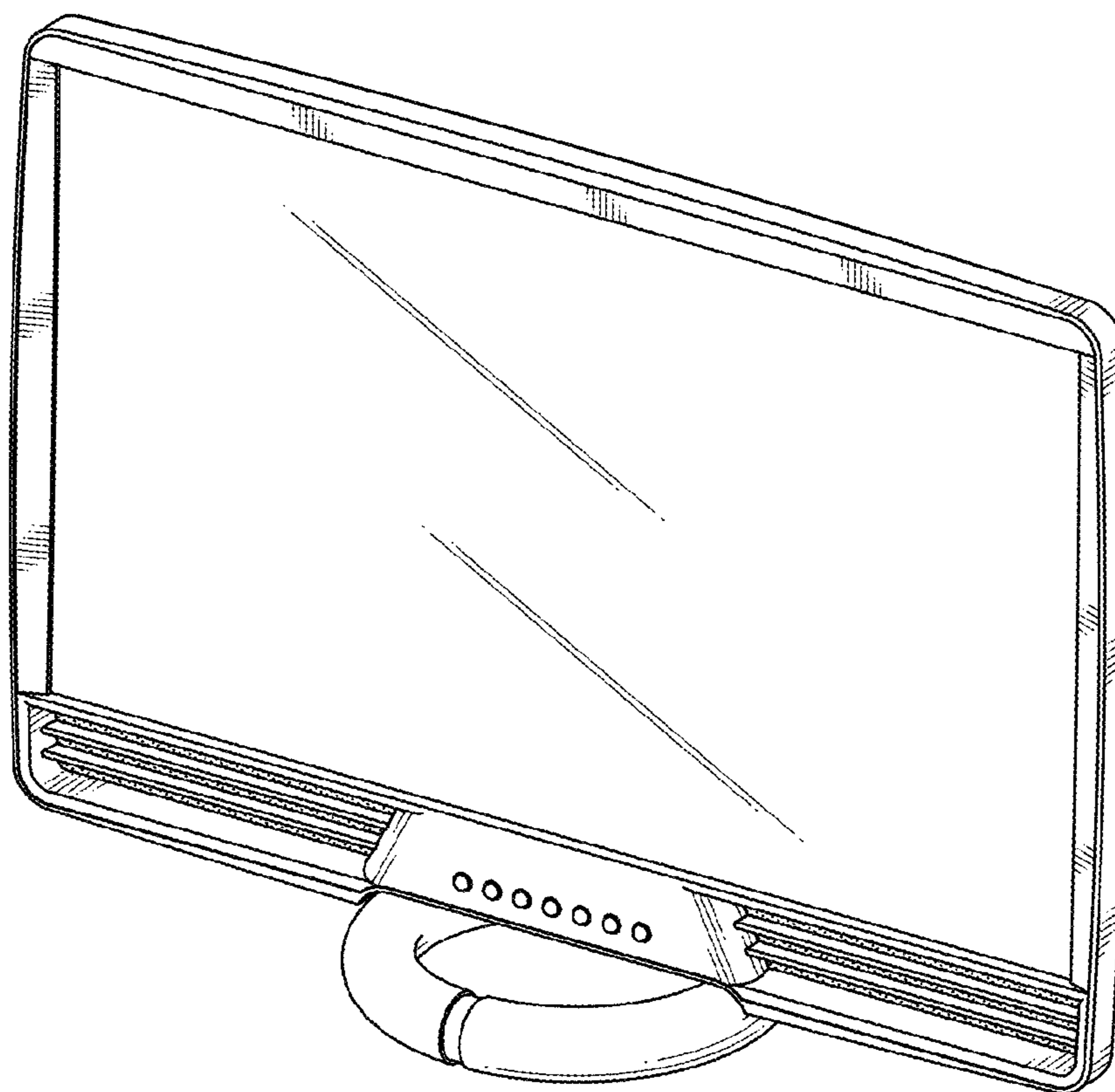


FIG. 1

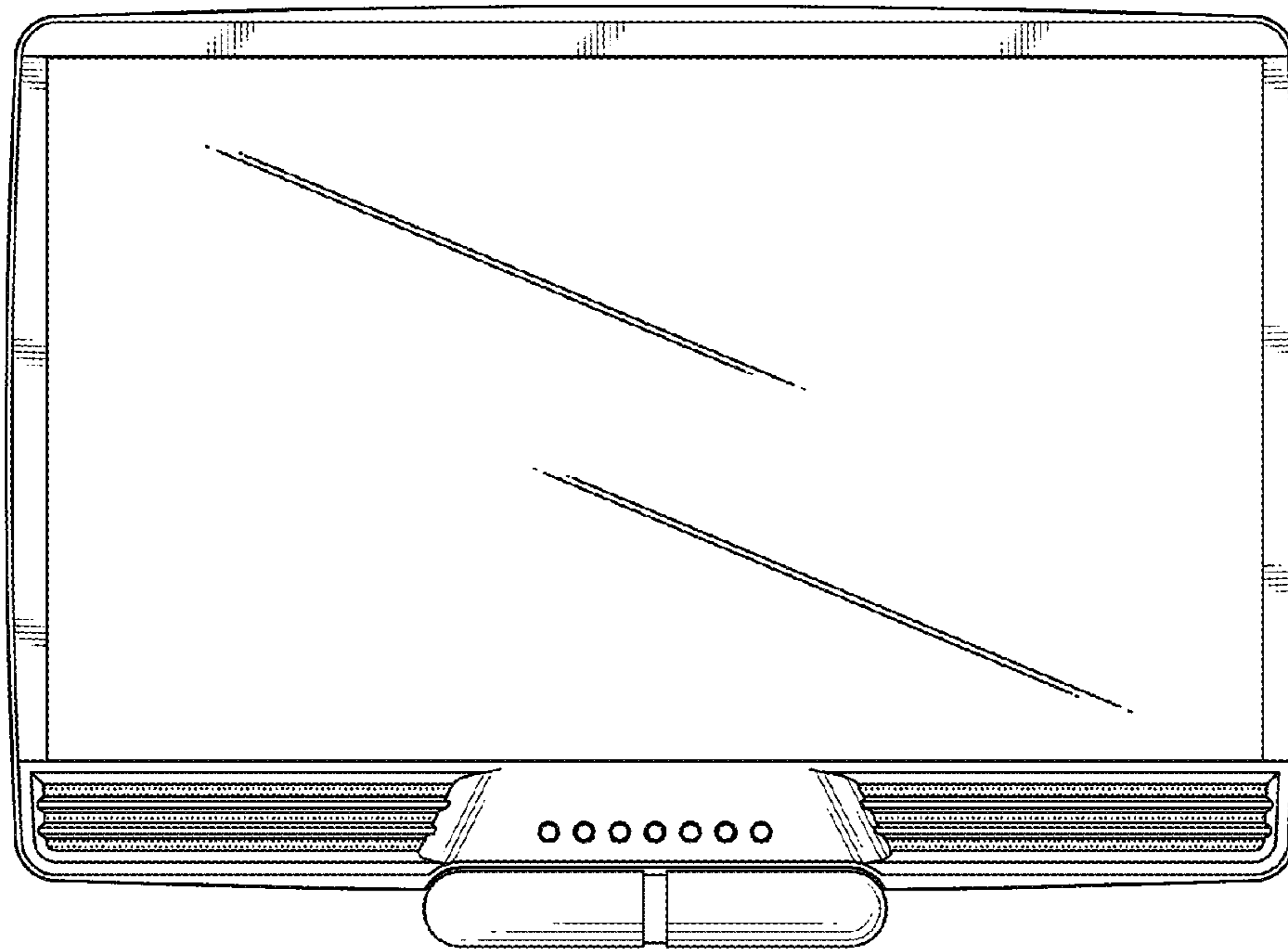


FIG. 2

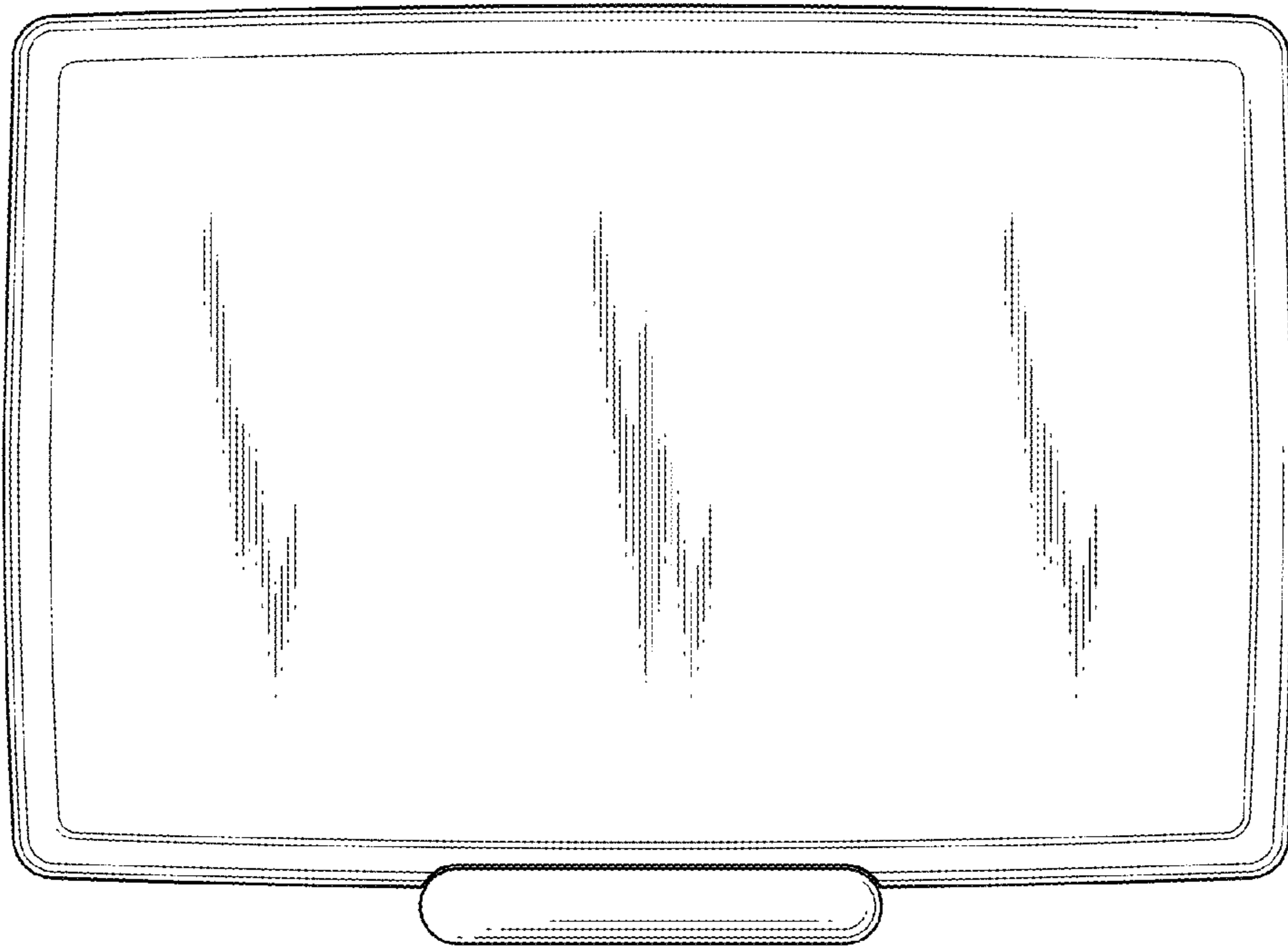


FIG. 3

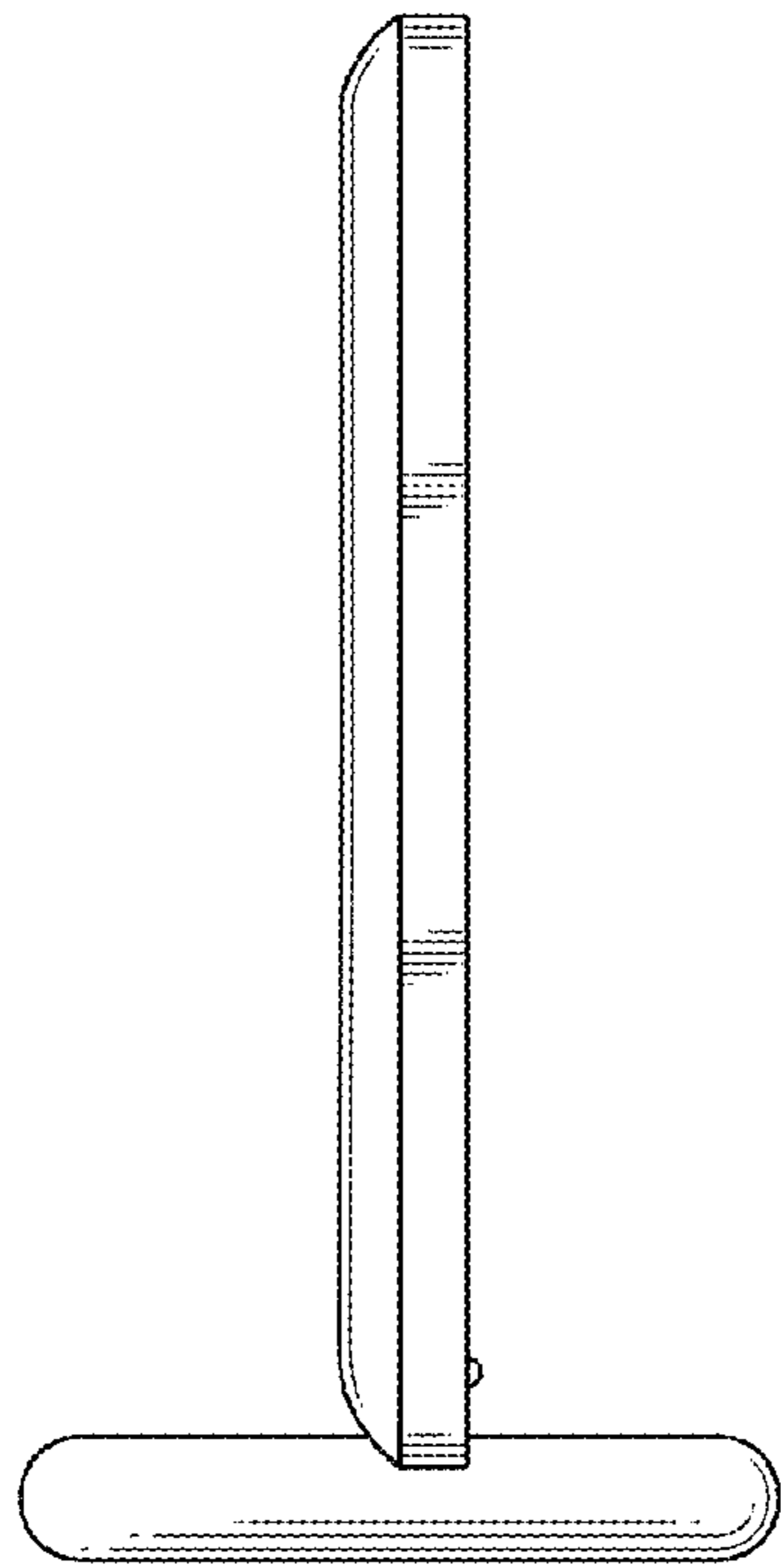


FIG. 4

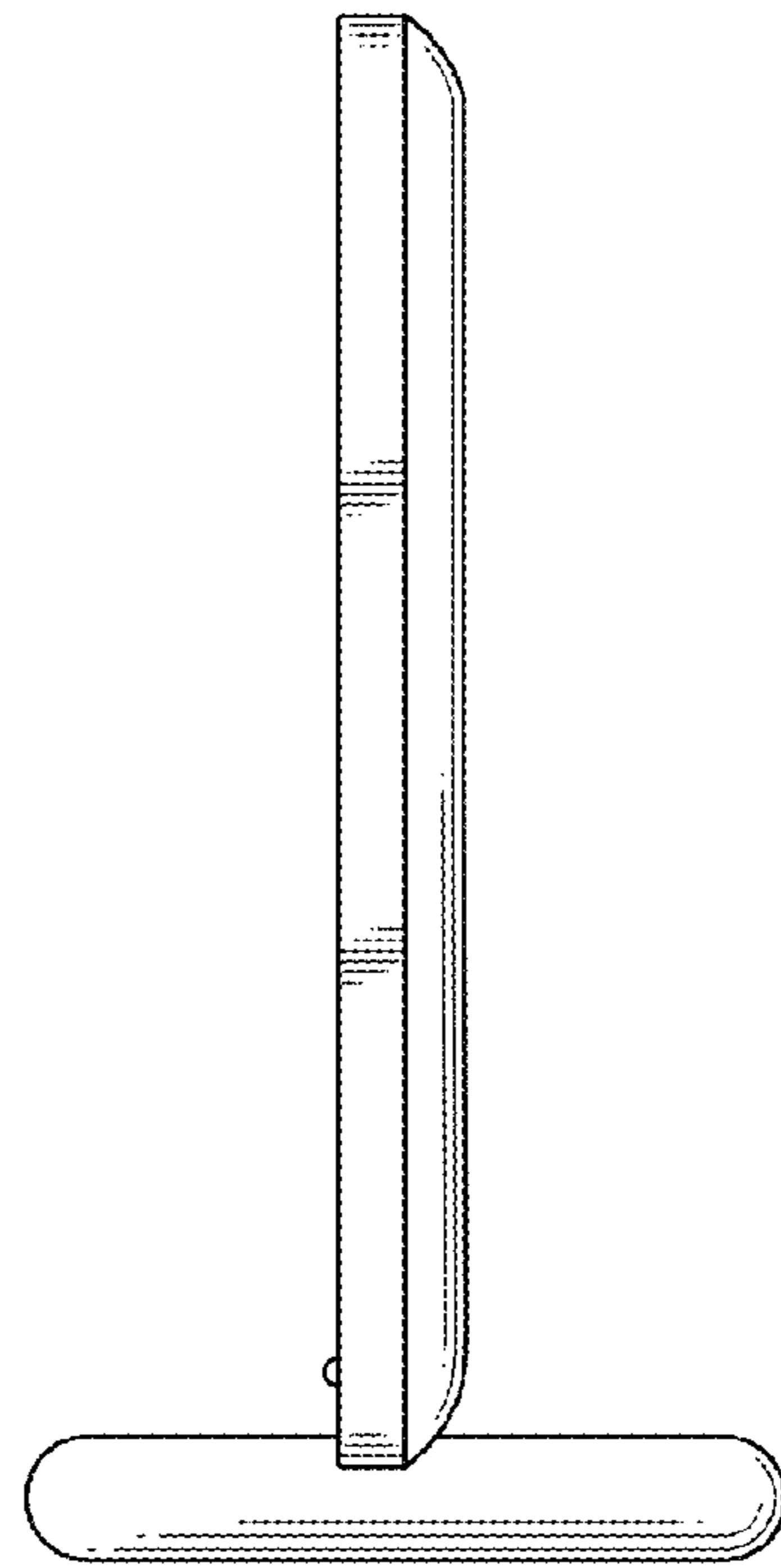


FIG. 5

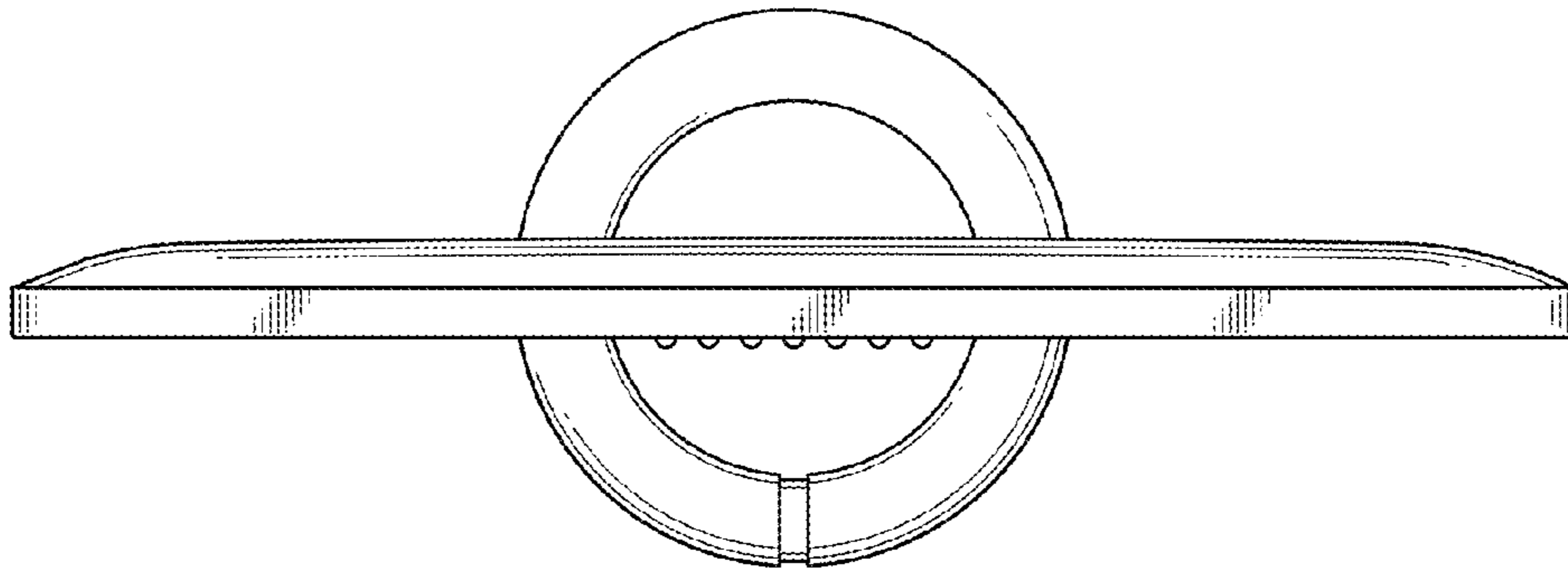


FIG. 6

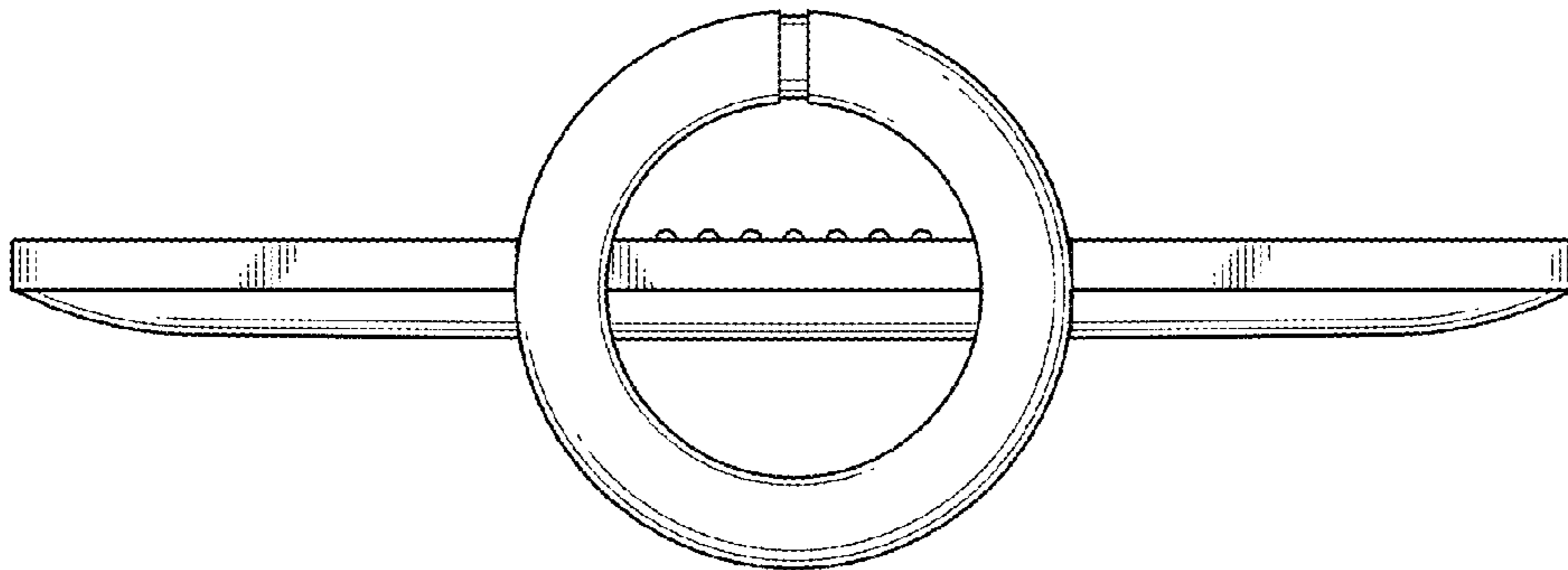


FIG. 7