



US00D684572S

(12) **United States Design Patent**
Akana et al.

(10) **Patent No.:** **US D684,572 S**
(45) **Date of Patent:** **** Jun. 18, 2013**

(54) **ELECTRONIC DEVICE**

348/184, 352, 739; 349/1, 2, 11, 62;
361/679.06-679.08, 679.21, 679.22

(75) Inventors: **Jody Akana**, San Francisco, CA (US);
Bartley K. Andre, Menlo Park, CA (US);
Jeremy Bataillou, San Francisco, CA (US);
Daniel J. Coster, San Francisco, CA (US);
Daniele De Iulii, San Francisco, CA (US);
Evans Hankey, San Francisco, CA (US);
Richard P. Howarth, San Francisco, CA (US);
Jonathan P. Ive, San Francisco, CA (US);
Duncan Robert Kerr, San Francisco, CA (US);
Shin Nishibori, Portola Valley, CA (US);
Matthew Dean Rohrbach, San Francisco, CA (US);
Peter Russell-Clarke, San Francisco, CA (US);
Christopher J. Stringer, Woodside, CA (US);
Eugene Antony Whang, San Francisco, CA (US);
Rico Zorkendorfer, San Francisco, CA (US)

See application file for complete search history.

(56) **References Cited**

U.S. PATENT DOCUMENTS

D454,352 S 3/2002 Love et al.
6,837,469 B2 1/2005 Wu et al.
D504,889 S 5/2005 Andre et al.

(Continued)

OTHER PUBLICATIONS

U.S. Appl. No. 29/345,575 entitled "Electronic Device", as amended May 21, 2010 (originally filed Oct. 19, 2009).

(Continued)

Primary Examiner — Freda S Nunn

(74) *Attorney, Agent, or Firm* — Saidman DesignLaw Group

(57) **CLAIM**

The ornamental design for an electronic device, as shown and described.

DESCRIPTION

FIG. 1 is a front view of an electronic device showing our new design;

FIG. 2 is a left side view thereof;

FIG. 3 is a right side view thereof;

FIG. 4 is a top view thereof;

FIG. 5 is a bottom view thereof;

FIG. 6 is a rear view thereof; and,

FIG. 7 is a section view taken along line 7-7 of FIG. 2.

The dashed broken lines are for the purpose of illustrating portions of the electronic device and form no part of the claimed design.

The closely spaced parallel diagonal shade lines on FIG. 1 indicate translucency.

1 Claim, 5 Drawing Sheets

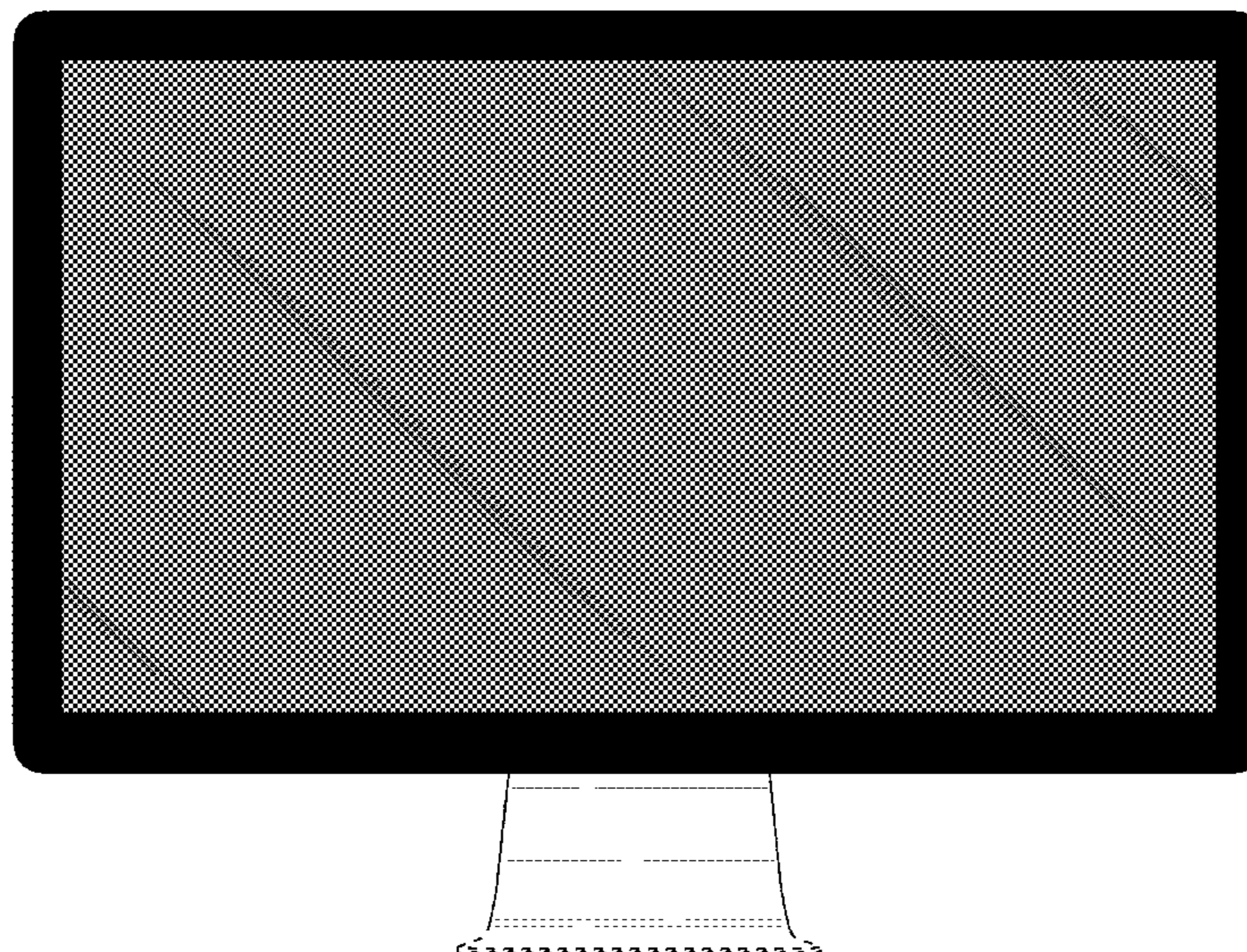
Related U.S. Application Data

(63) Continuation of application No. 29/363,951, filed on Jun. 16, 2010, now Pat. No. Des. 658,646.

(51) **LOC (9) Cl.** **14-02**

(52) **U.S. Cl.**
USPC **D14/374**

(58) **Field of Classification Search**
USPC D14/371-376, 125-129, 336, 337;
248/917-924, 371, 121, 176.1, 278.1; 341/12;
345/104, 156, 173, 174, 901-905; 348/180,



US D684,572 S

Page 2

U.S. PATENT DOCUMENTS

D520,006 S 5/2006 Chen et al.
D521,996 S 5/2006 Kim et al.
D537,079 S 2/2007 Park et al.
D541,799 S 5/2007 Andre et al.
7,232,098 B2 6/2007 Rawlings et al.
D545,820 S 7/2007 Won et al.
D548,708 S 8/2007 Park et al.
D584,258 S 1/2009 Yang et al.
D598,446 S 8/2009 Pan et al.
D600,696 S 9/2009 Andre et al.
D604,292 S 11/2009 Andre et al.
D605,193 S 12/2009 Andre et al.
D609,658 S 2/2010 Kim et al.
D609,705 S 2/2010 Andre et al.
D610,138 S 2/2010 Andre et al.

D611,469 S 3/2010 Andre et al.
D618,241 S 6/2010 Akana et al.
D621,824 S 8/2010 Andre et al.
D658,646 S * 5/2012 Akana et al. D14/336
2003/0058372 A1 3/2003 Williams et al.

OTHER PUBLICATIONS

U.S. Appl. No. 29/345,580 entitled "Electronic Device", filed Oct. 19, 2009.
U.S. Appl. No. 29/408,029 entitled "Monitor", filed Dec. 6, 2011.
U.S. Appl. No. 29/413,827 entitled "Computer", filed Feb. 21, 2012.
U.S. Appl. No. 29/355,762 entitled "Monitor", as amended Jul. 14, 2010 (originally filed Feb. 12, 2010).

* cited by examiner

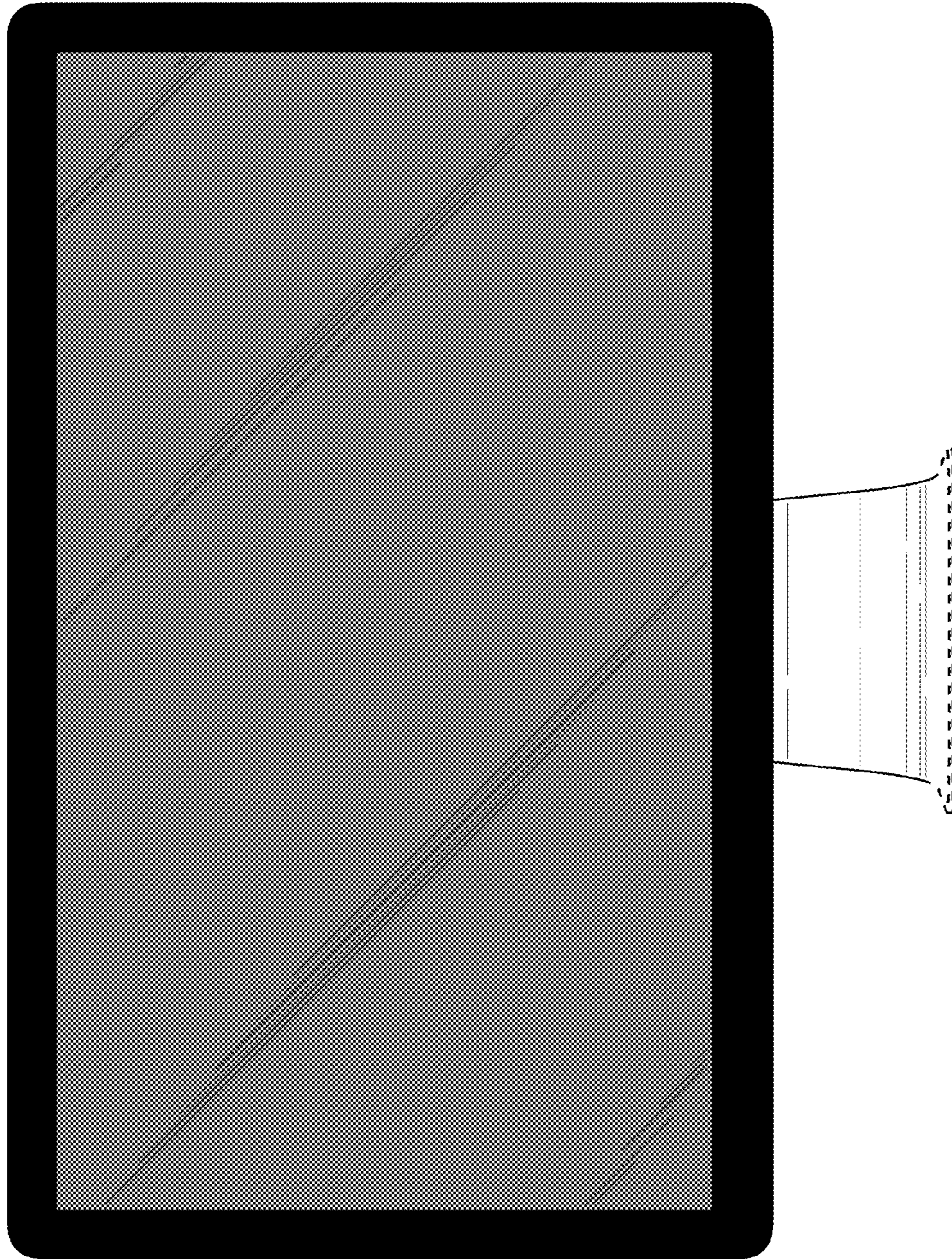


Fig. 1

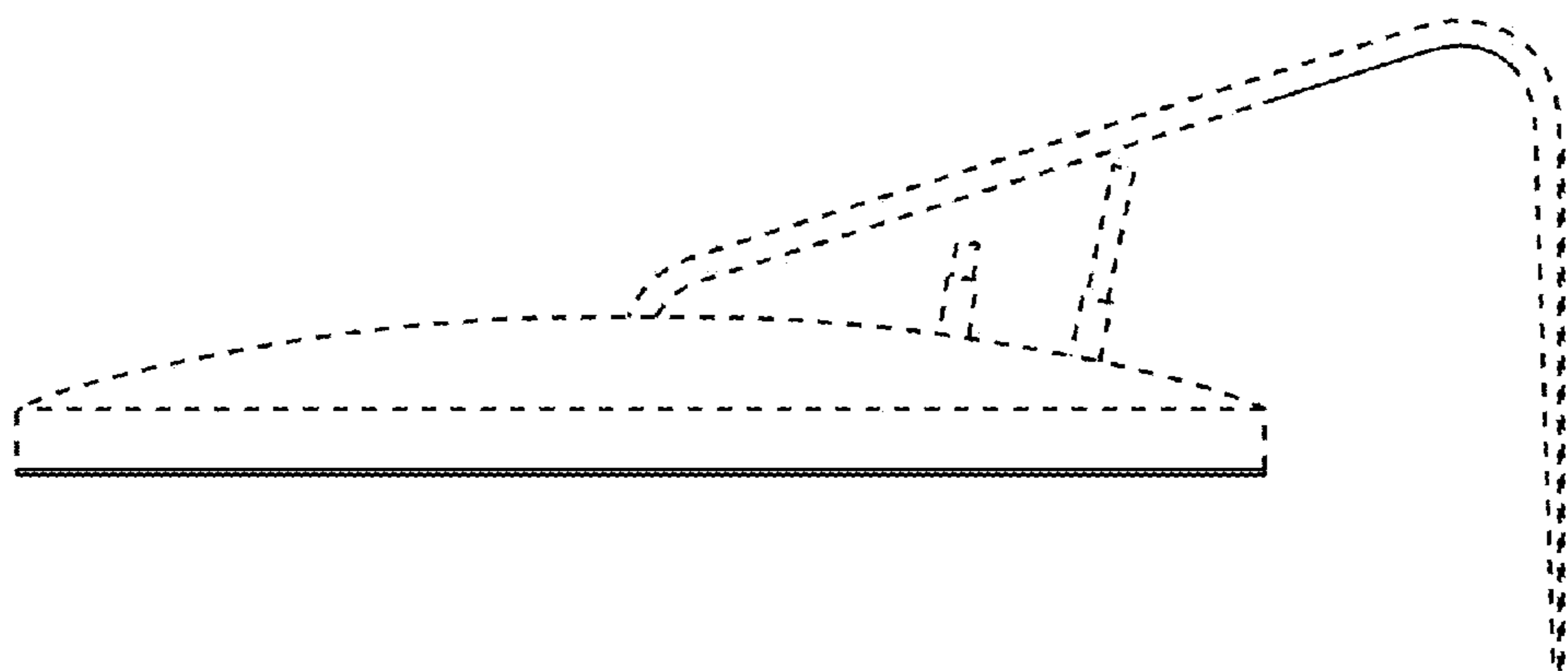


Fig. 3

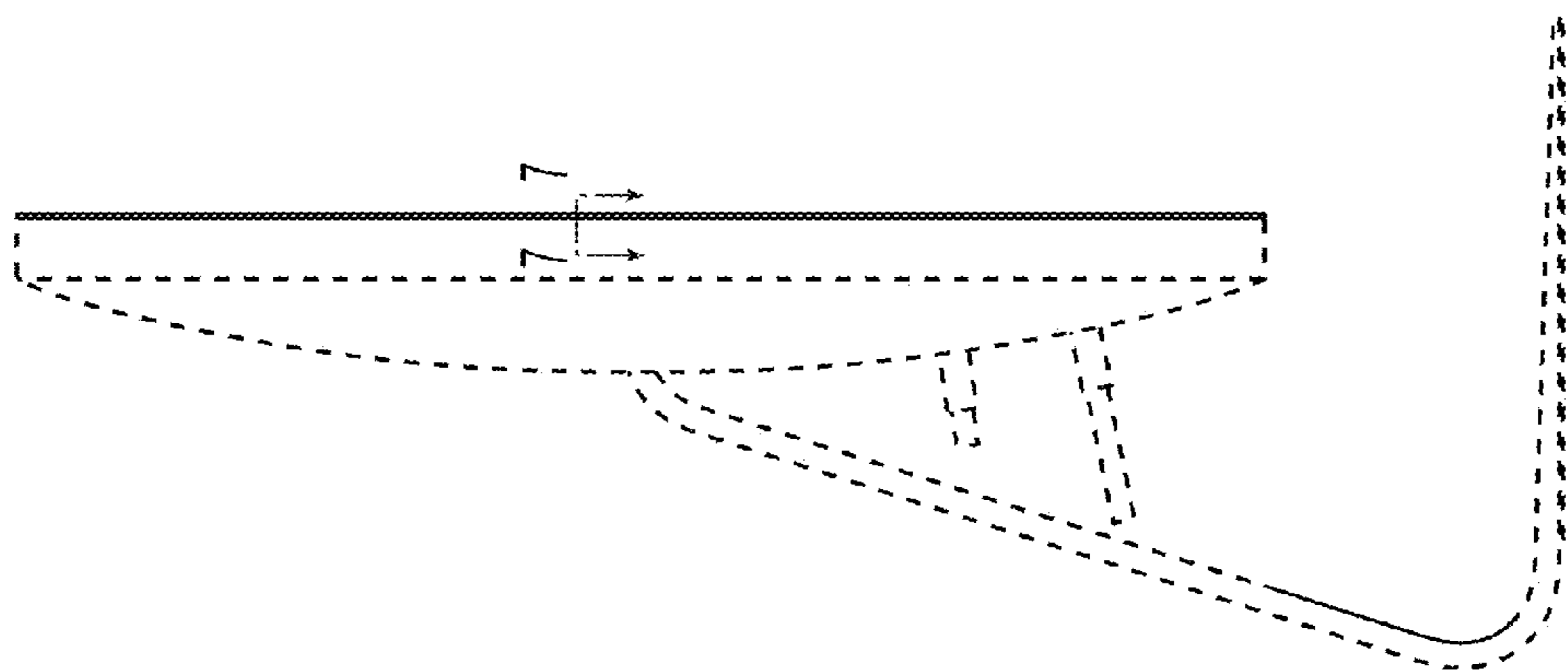


Fig. 2

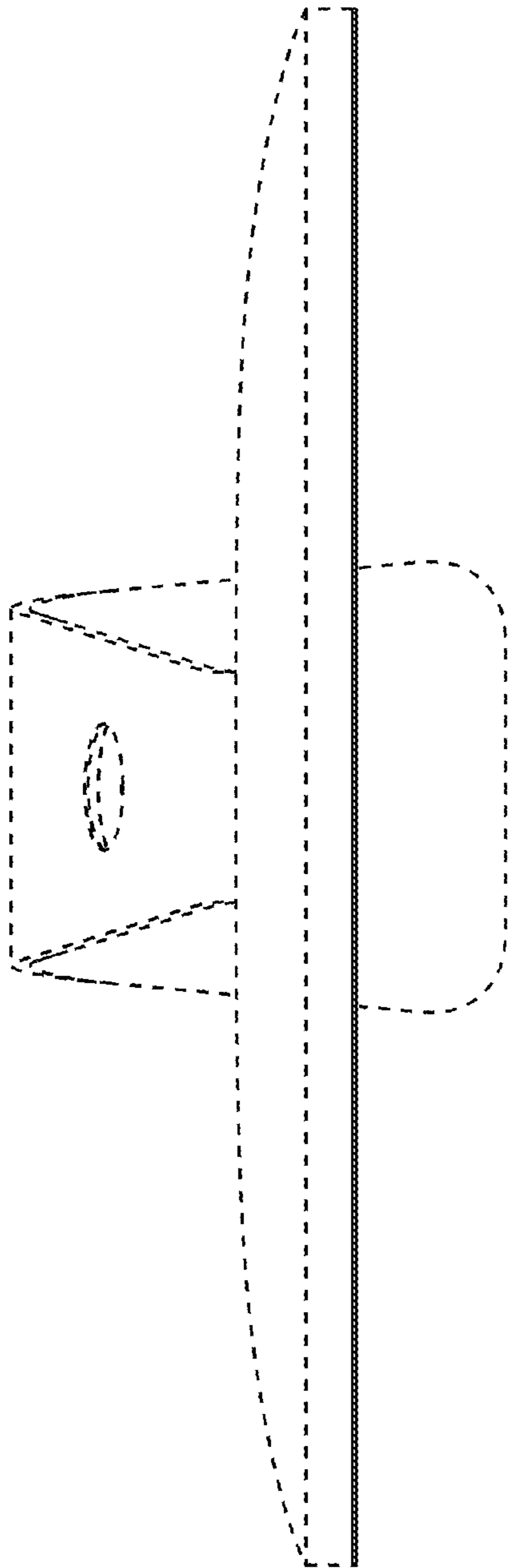


Fig. 4

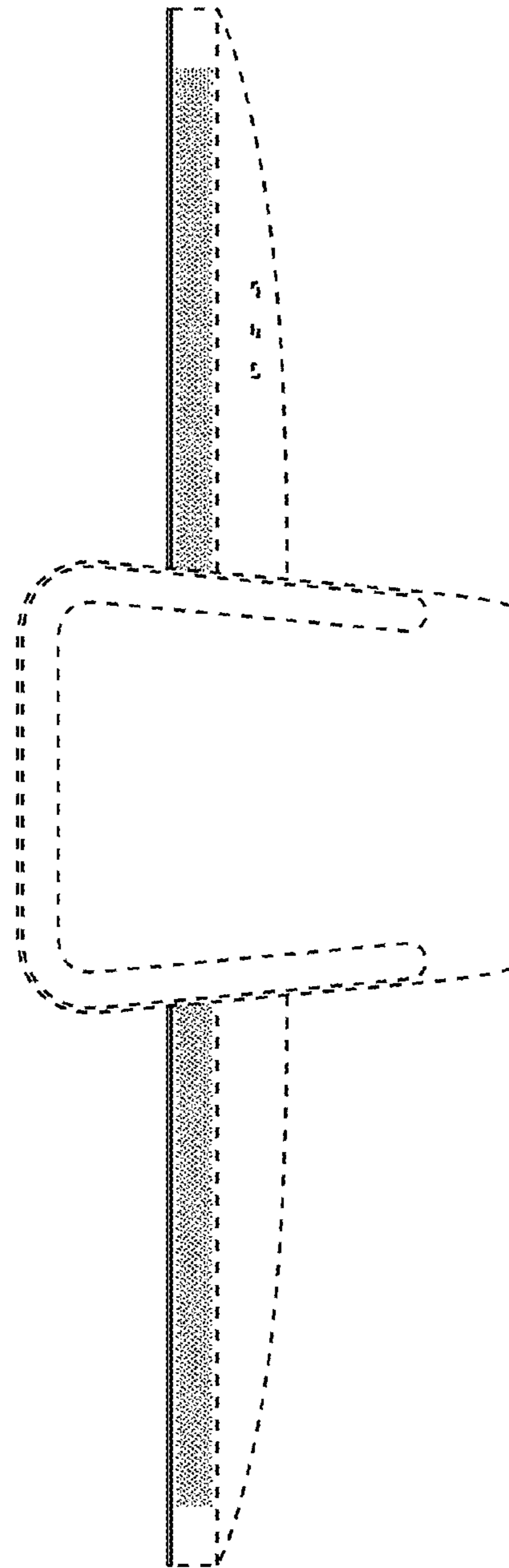


Fig. 5

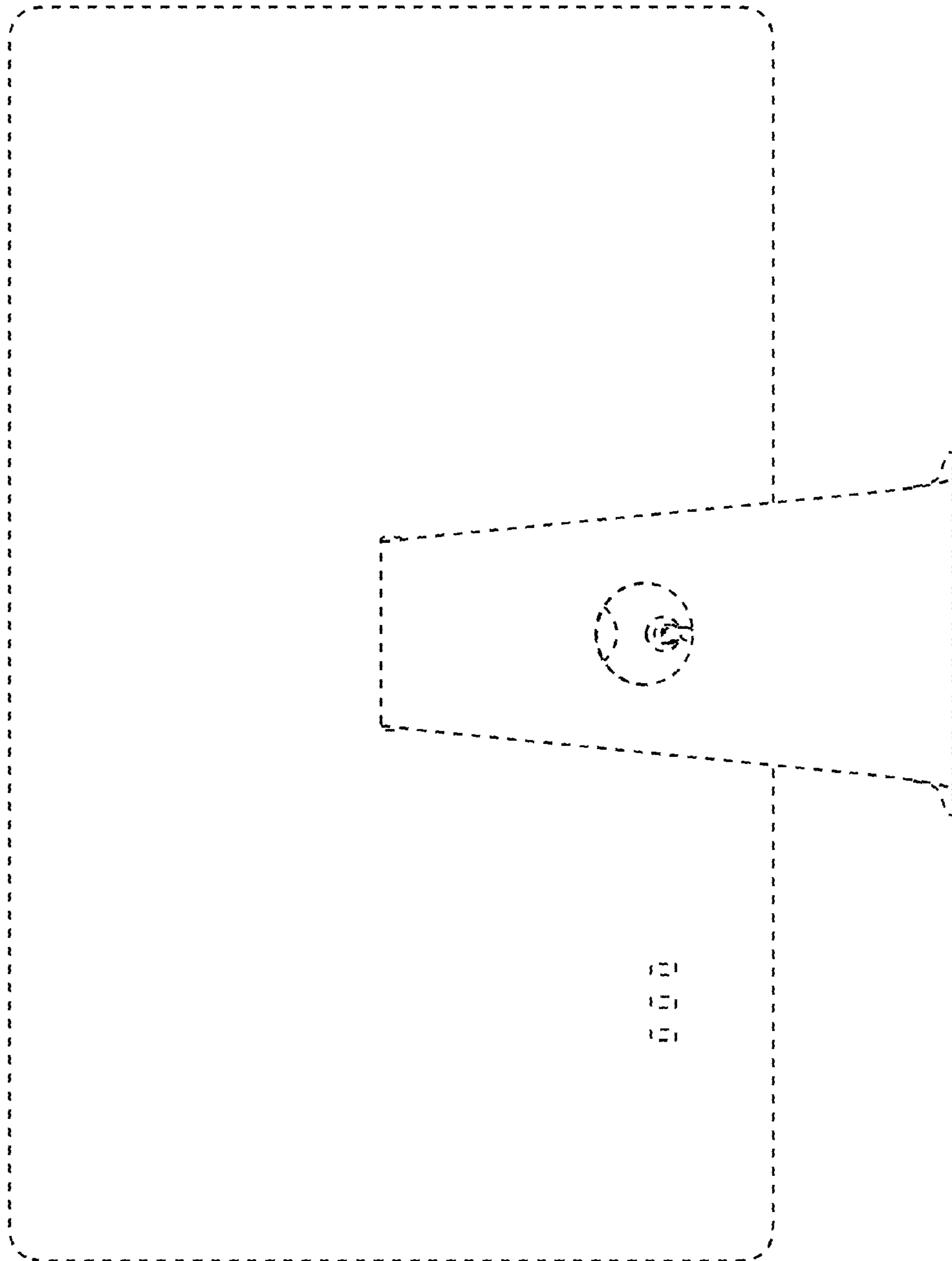


Fig. 6

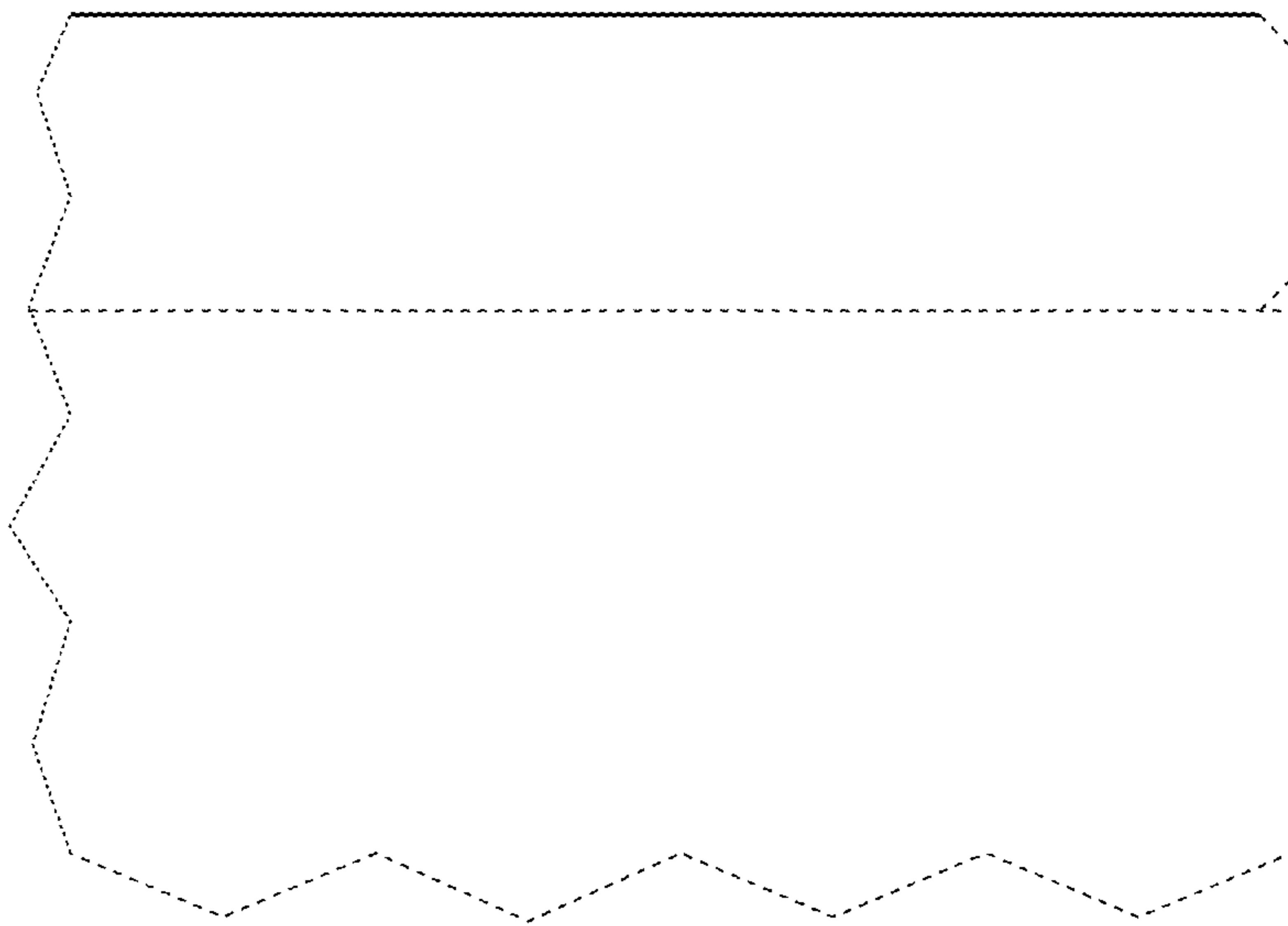


Fig. 7