



US00D684569S

(12) **United States Design Patent**  
**Willenborg**

(10) **Patent No.:** **US D684,569 S**

(45) **Date of Patent:** **\*\* Jun. 18, 2013**

(54) **CASING AND MOUNTING ASSEMBLY FOR ELECTRONIC DEVICES**

(75) Inventor: **John Willenborg**, Novato, CA (US)

(73) Assignee: **Opatrix, LLC**, San Rafael, CA (US)

(\*\*) Term: **14 Years**

(21) Appl. No.: **29/427,869**

(22) Filed: **Jul. 23, 2012**

**Related U.S. Application Data**

(63) Continuation of application No. 29/427,148, filed on Jul. 13, 2012.

(51) **LOC (9) Cl.** ..... **D14/253**; D16/204

(52) **U.S. Cl.**

USPC ..... **D14/253**; D16/204

(58) **Field of Classification Search**

USPC ..... D3/267, 268, 269; D9/420; D14/203.4, D14/253, 440, 250, 251, 252; 206/316.1, 206/316.2; 200/302.1; 396/25; D16/204, D16/214, 237, 242

See application file for complete search history.

(56) **References Cited**

**U.S. PATENT DOCUMENTS**

D385,209 S 10/1997 Mercer et al.  
D419,296 S \* 1/2000 Shinano ..... D3/267

(Continued)

**FOREIGN PATENT DOCUMENTS**

EM 001314504-0001 \* 2/2012  
EM 001315667-0001 \* 2/2012  
EM 001332209-0001 \* 6/2012

**OTHER PUBLICATIONS**

Opatrix HD Sport case, Apr. 23, 2012, Amazon.com, pp. 1-5.\*

(Continued)

*Primary Examiner* — George D Kirschbaum

*Assistant Examiner* — Janice Hallmark

(74) *Attorney, Agent, or Firm* — The Law Office of Herbert T. Patty

(57) **CLAIM**

The ornamental design of a casing and mounting assembly for electronic devices, as shown and described.

**DESCRIPTION**

FIG. 1 is a front elevational view of a casing and mounting assembly;

FIG. 2 is a back elevational view thereof;

FIG. 3 is a front elevational view of FIG. 1; the casing and mounting assembly door ajar;

FIG. 4 is a back elevational view of FIG. 1; the casing and mounting assembly door ajar;

FIG. 5 is a fragmentary right perspective view of FIG. 1 with mounting assembly removed for clarity of disclosure; the casing and mounting assembly door ajar;

FIG. 6 is a fragmentary right elevational view of FIG. 1 with mounting assembly removed for clarity of disclosure; the casing and mounting assembly closed;

FIG. 7 is a fragmentary left elevational view of FIG. 1 with mounting assembly removed for clarity of disclosure; the casing and mounting assembly door ajar;

FIG. 8 is a fragmentary left elevational view of FIG. 1 with mounting assembly removed for clarity of disclosure; the casing and mounting assembly door closed;

FIG. 9 is a top elevational view of FIG. 1; the casing and mounting assembly door closed;

FIG. 10 is a top elevational view of FIG. 1; the casing and mounting assembly door ajar;

FIG. 11 is a bottom elevational view of FIG. 1; the casing and mounting assembly door closed;

FIG. 12 is a bottom elevational view of FIG. 1; the casing and mounting assembly door ajar;

FIG. 13 is an exploded front view of FIG. 1; the casing and mounting assembly door ajar;

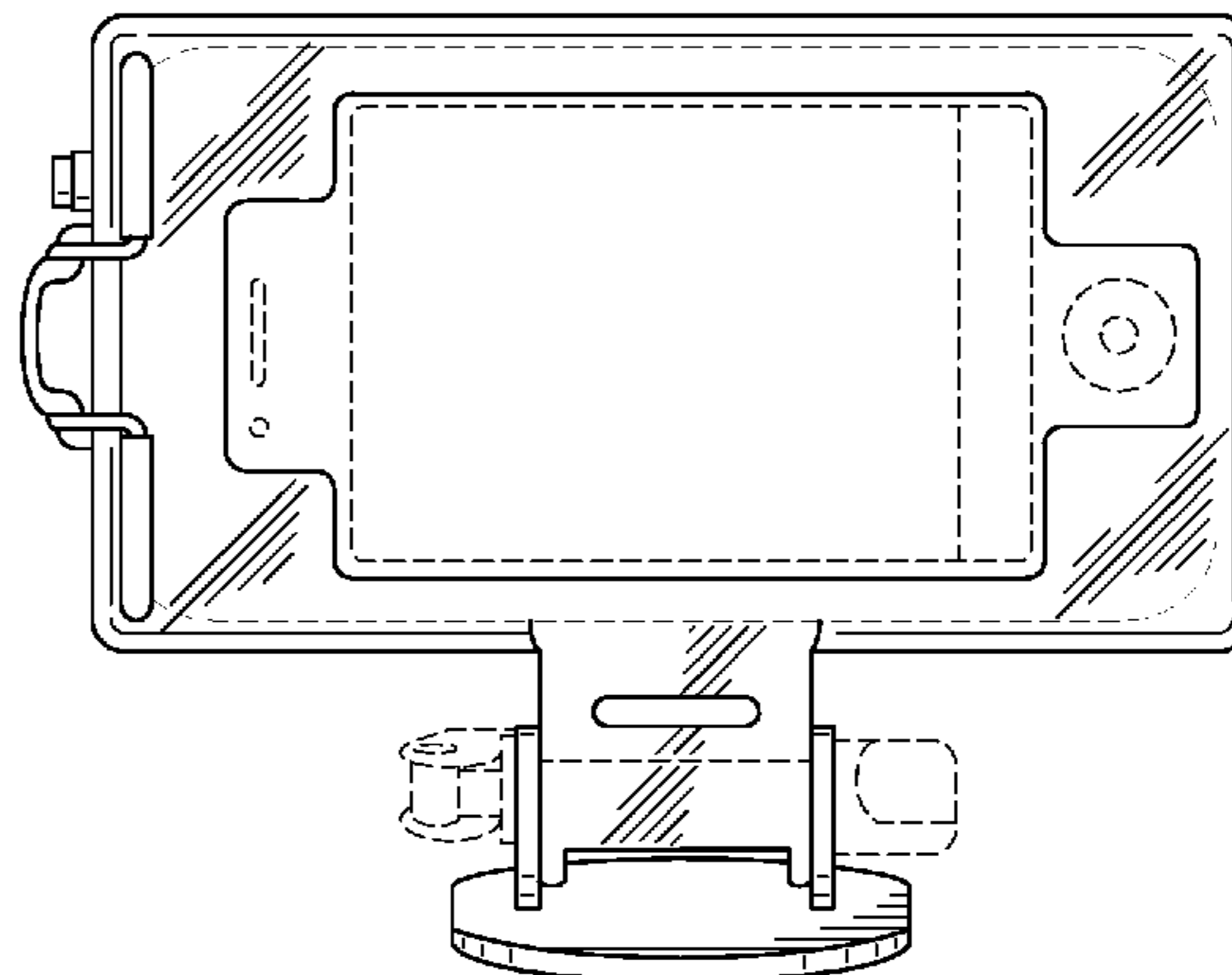
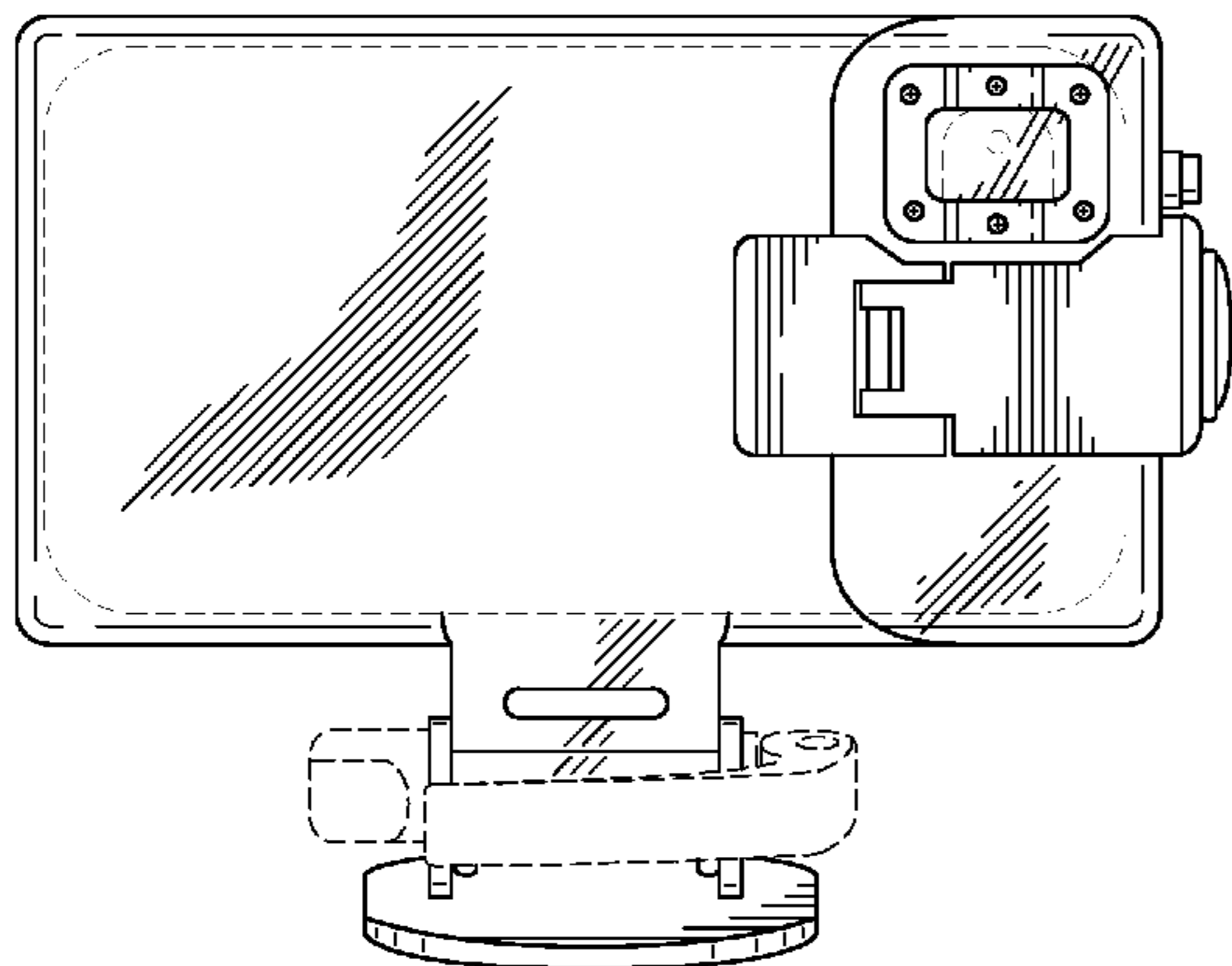
FIG. 14 is an exploded back view of FIG. 1; the casing and mounting assembly door ajar;

FIG. 15 is a partial back view of FIG. 1; the hinge component of the casing and mounting assembly door positioned in a first unbarred state; and,

FIG. 16 is a partial back view of FIG. 1; the hinge component of the casing and mounting assembly door positioned in a second unbarred state.

Broken line showing of structure is included for the purpose of illustrating portions of the "article" and forms no part of the claimed design.

**1 Claim, 7 Drawing Sheets**



U.S. PATENT DOCUMENTS

D453,177	S *	1/2002	Uehara .....	D16/204
D468,733	S *	1/2003	Narducci et al. ....	D14/253
7,060,921	B2 *	6/2006	Kubo .....	200/302.1
D595,722	S *	7/2009	Miyawaki .....	D14/447
D616,479	S *	5/2010	Ganahl, Jr. ....	D16/204
D621,432	S *	8/2010	Yim .....	D16/204
D629,435	S	12/2010	Barley et al.	
D644,679	S	9/2011	Woodmand	
8,014,656	B2	9/2011	Woodman	
D647,554	S *	10/2011	Yim .....	D16/204
8,150,248	B1	4/2012	Woodman	
8,199,251	B2	6/2012	Woodman	
D665,006	S *	8/2012	Green et al. ....	D16/242
2007/0071423	A1 *	3/2007	Fantone et al. ....	396/27
2012/0057025	A1	3/2012	Menshikov	
2012/0112031	A1 *	5/2012	Gormick et al. ....	248/371

OTHER PUBLICATIONS

Lifeproof iPhone case adapter for Gopro mounts, Aug. 23, 2012, lifeproof.com, pp. 1-3.\*  
 Outride by Mophie, Aug. 20, 2012, mophie.com, pp. 1-4.\*  
 Optrix XD case, Jun. 29, 2012, Amazon.com, pp. 1-4.\*

Woodman Labs, Inc.; "HD HERO2 Outdoor Edition;" product features; <http://gopro.com/cameras/hd-hero2-outdoor-edition/#features>; Jul. 23, 2012; San Mateo, CA; US.  
 Woodman Labs, Inc.; "HD HERO2 Motorsports Edition;" product features; <http://gopro.com/cameras/hd-hero2-motorsports-edition/#features/>; Jul. 23, 2012; San Mateo, CA; US.  
 Woodman Labs, Inc.; "HD HERO2 Surf Edition;" product features; <http://gopro.com/cameras/hd-hero2-surf-edition/#features/>; Jul. 23, 2012; San Mateo, CA; US.  
 Contour, Inc.; "360 Helmet Mount"; <http://contour.com/products/360-helmet-mount>; Jul. 23, 2012; Seattle, Washington, US.  
 Contour, Inc.; "Hat Mount"; <http://contour.com/products/360-helmet-mount>; Jul. 23, 2012; Seattle, Washington, US.  
 Miveu, Inc.; "Phone Case and Chest Mount"; <http://miveu.com/products.html>; Jul. 23, 2012; New Hampshire, US.  
 Contour, Inc.; "Waterproof Case" <http://contour.com/products/contourgps-waterproof-case>; Jul. 23, 2012; New Hampshire, US.  
 Woodman Labs, Inc.; HD HERO2; <http://gopro.com/products>; at least as early as Aug. 22, 2012; San Mateo, CA; US.  
 Woodman Labs, Inc.; HD HERO; <http://www.quesahesde.com/video-digital/productos/vid62061.asp>; at least as early as Aug. 22, 2012; San Mateo, CA US.

\* cited by examiner

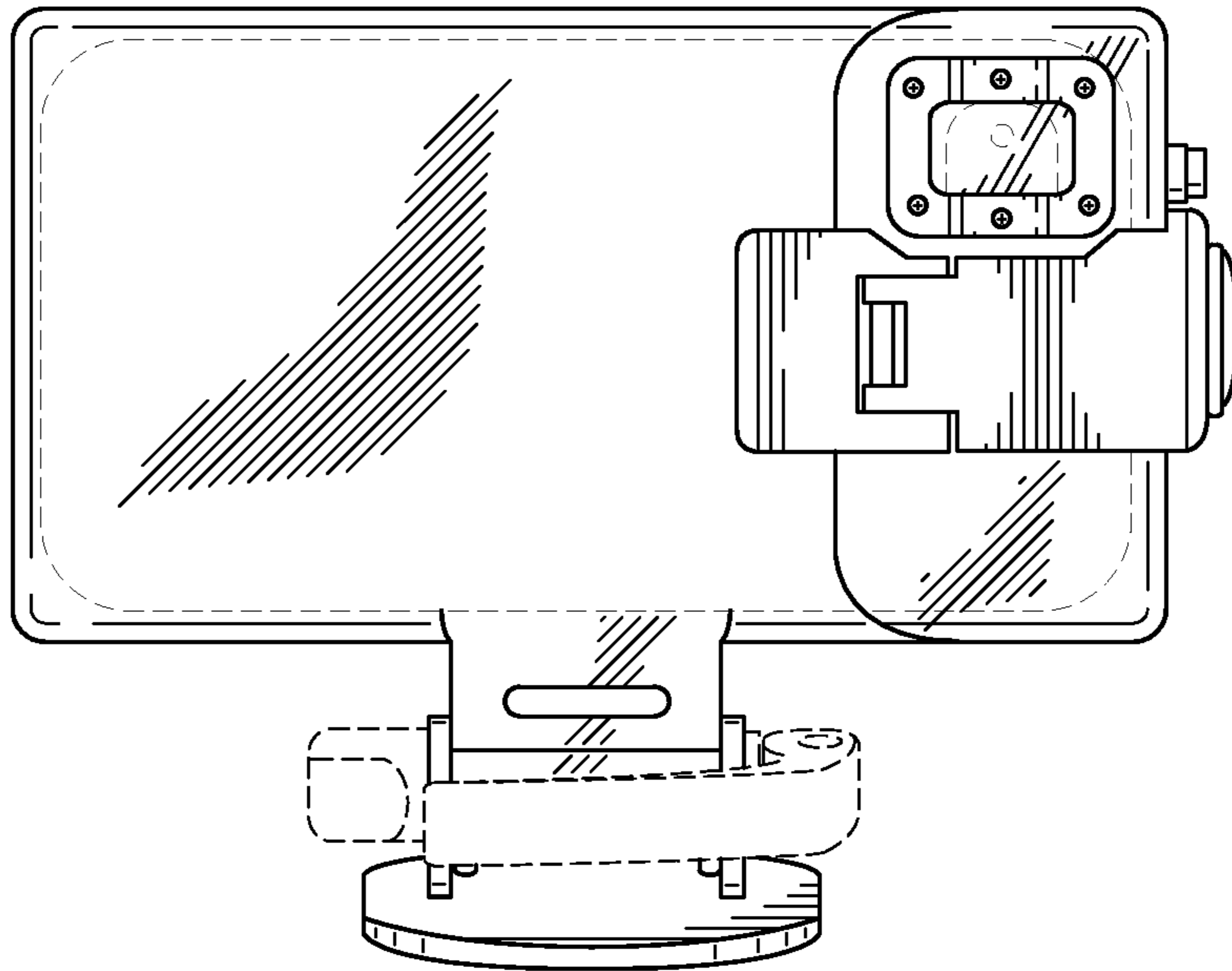


FIG. 1

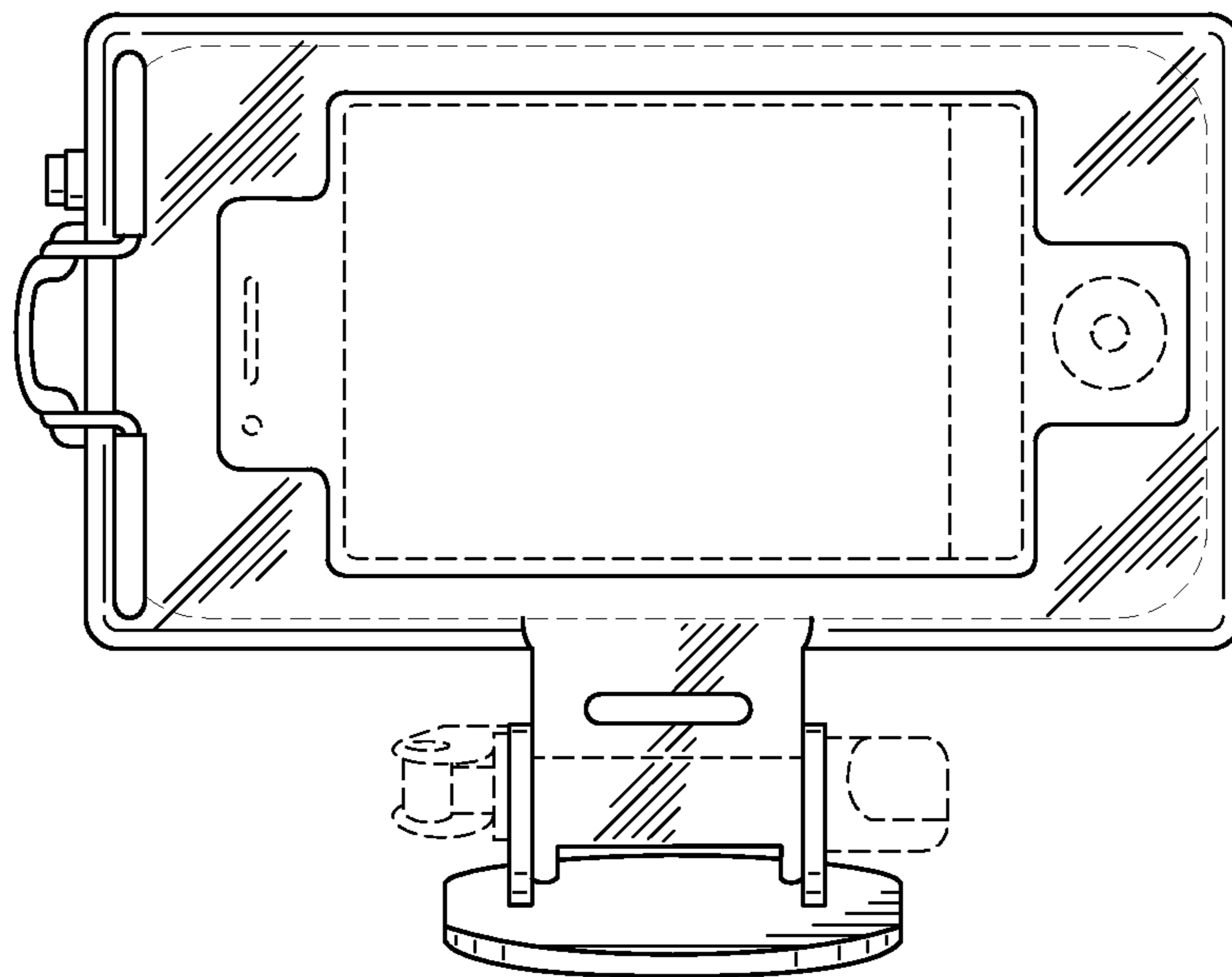


FIG. 2

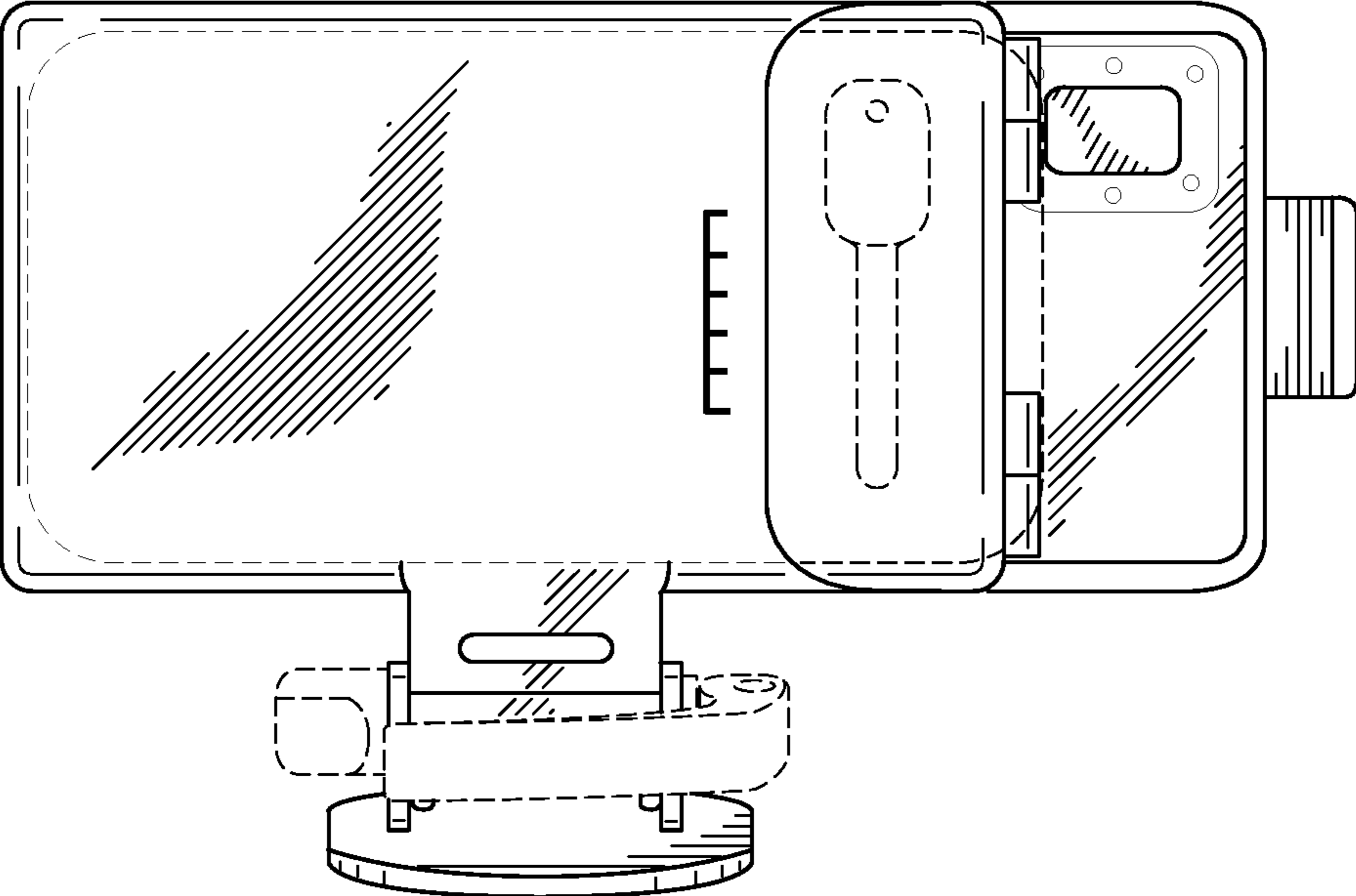


FIG. 3

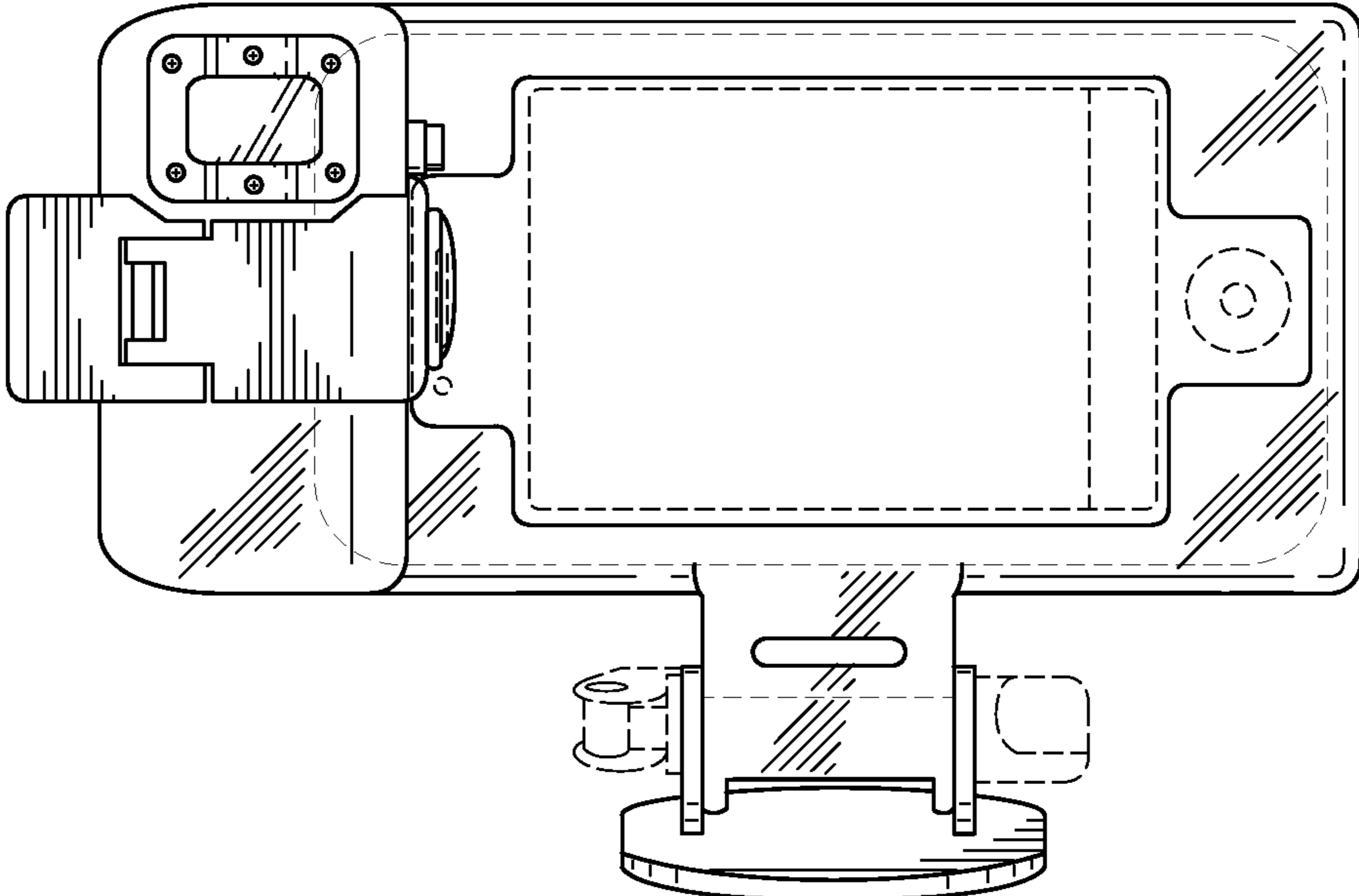


FIG. 4

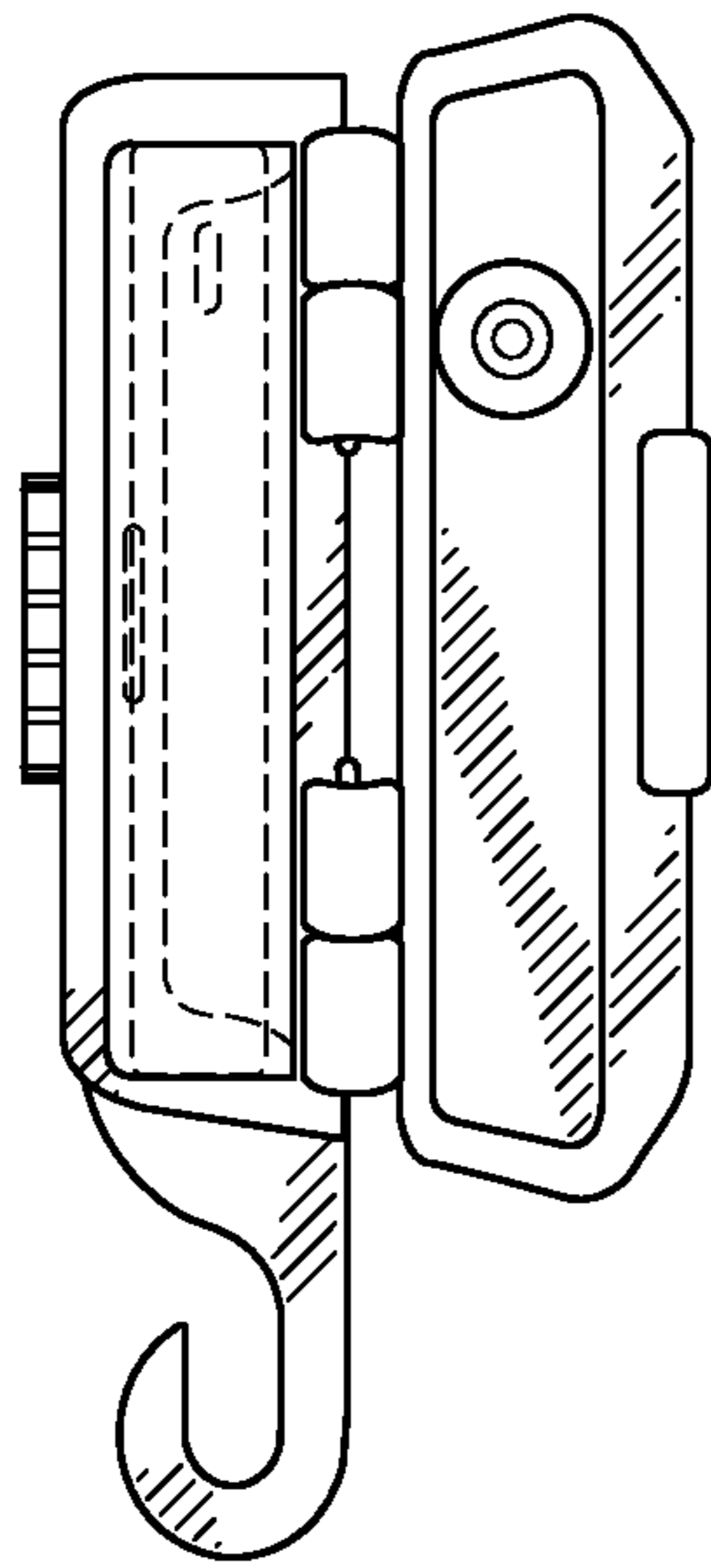


FIG. 5

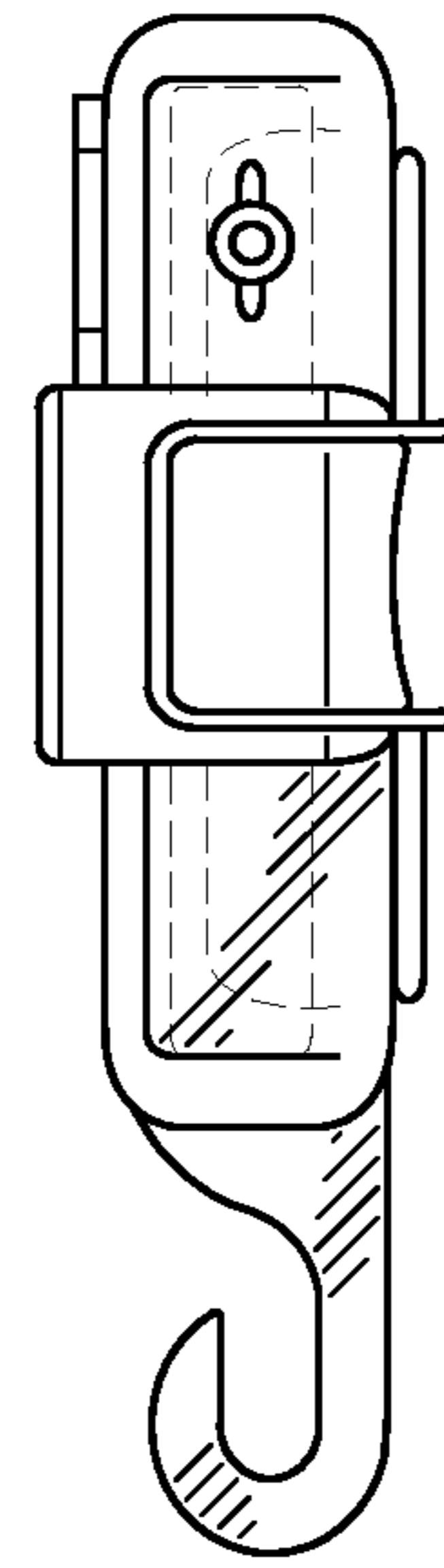


FIG. 6

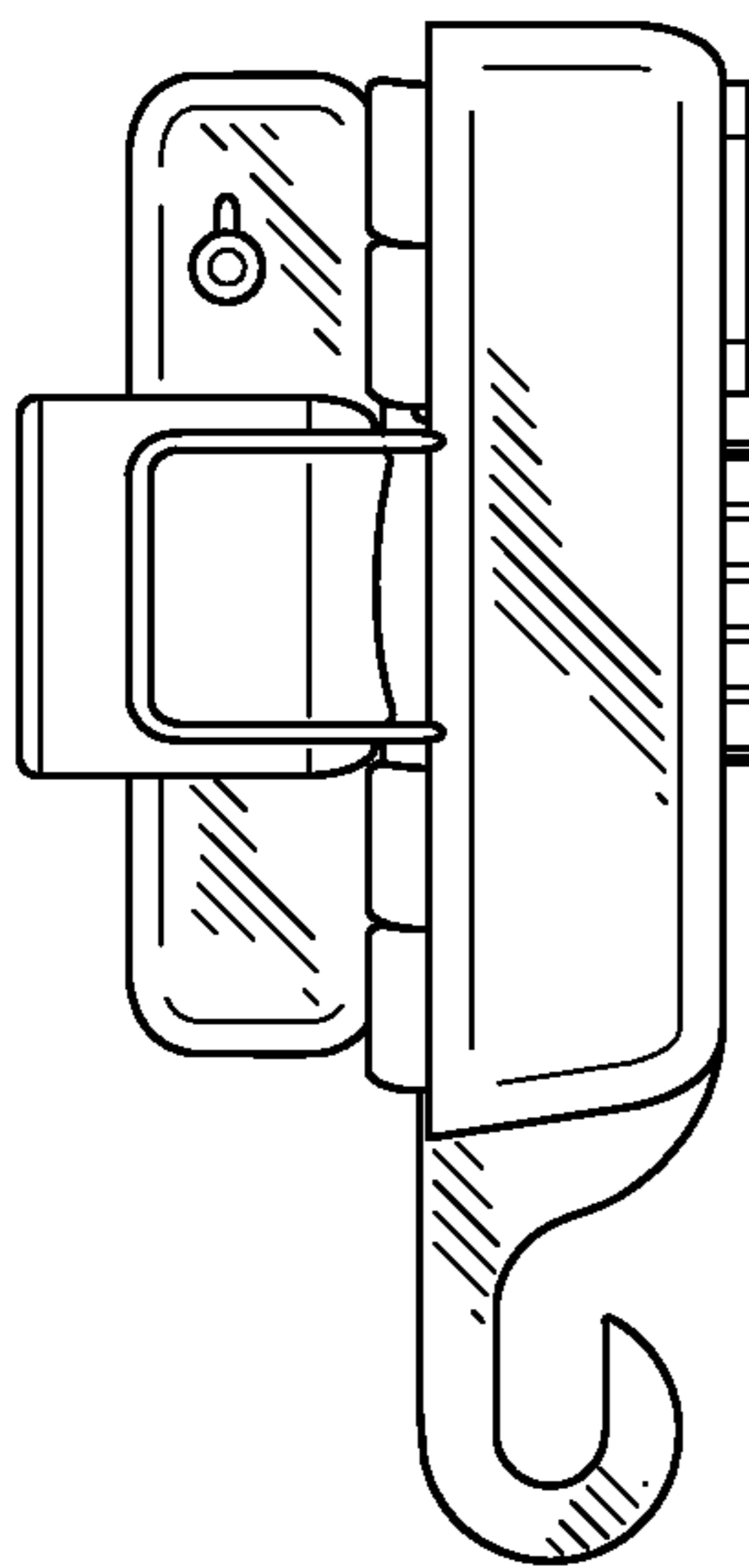


FIG. 7

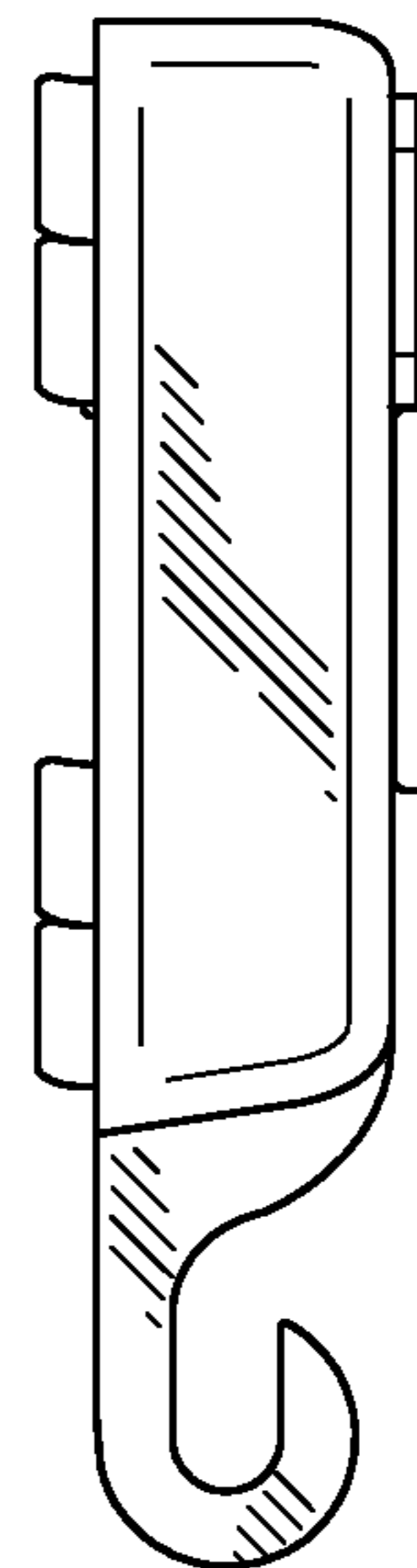


FIG. 8

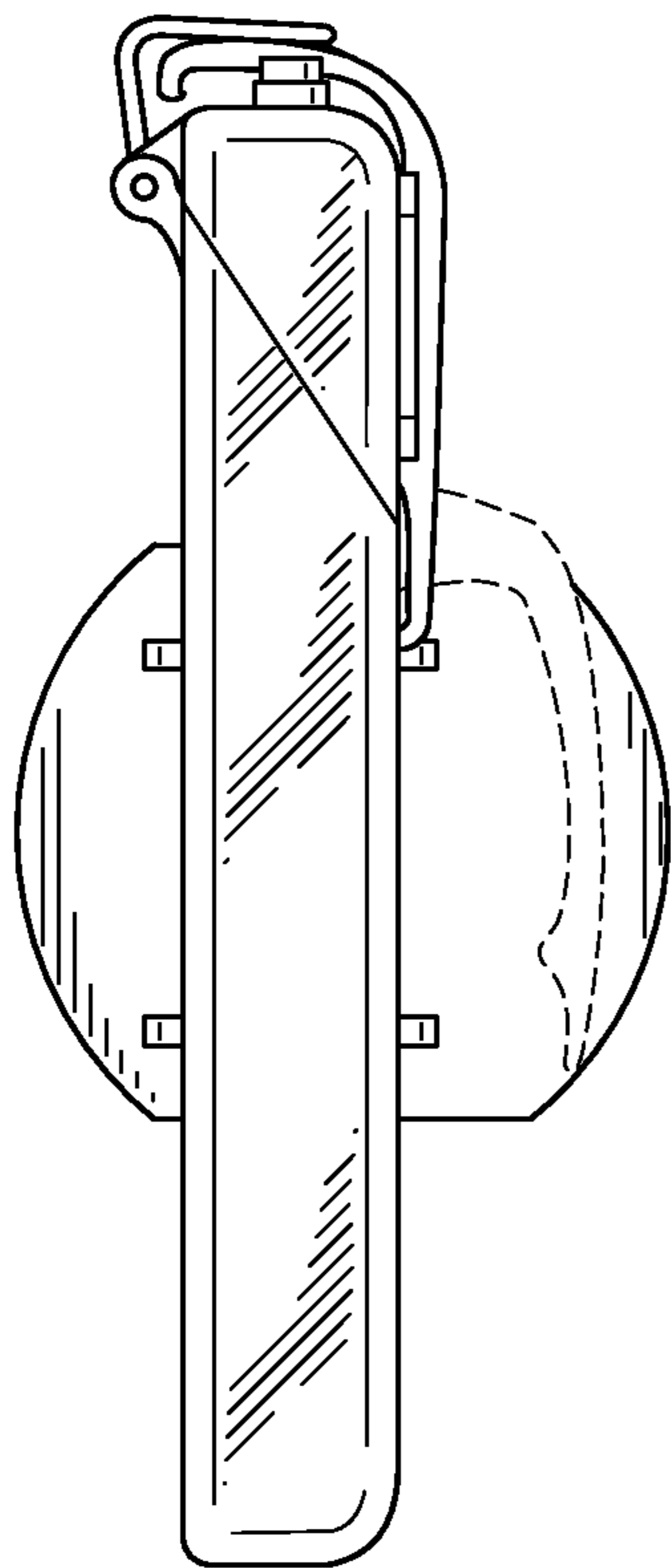


FIG. 9

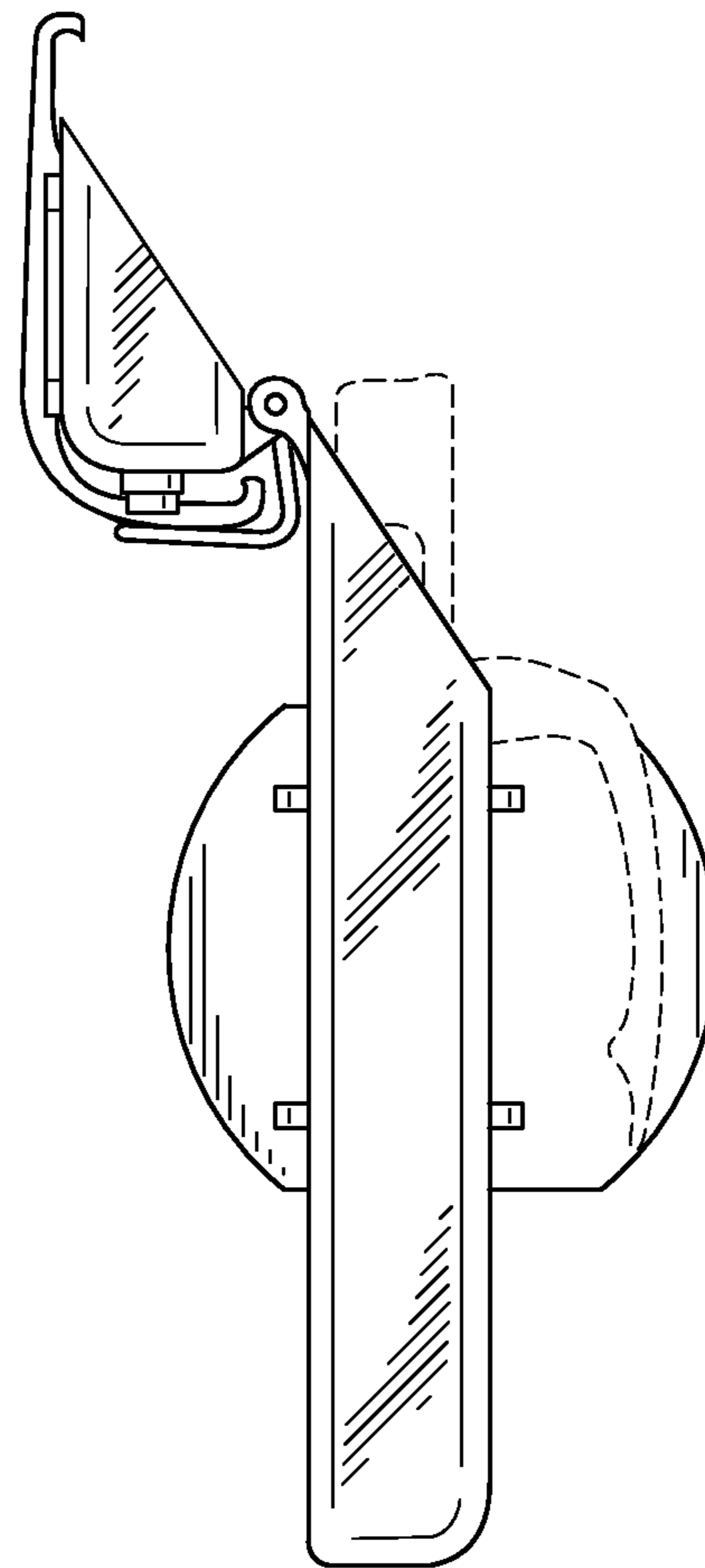


FIG. 10

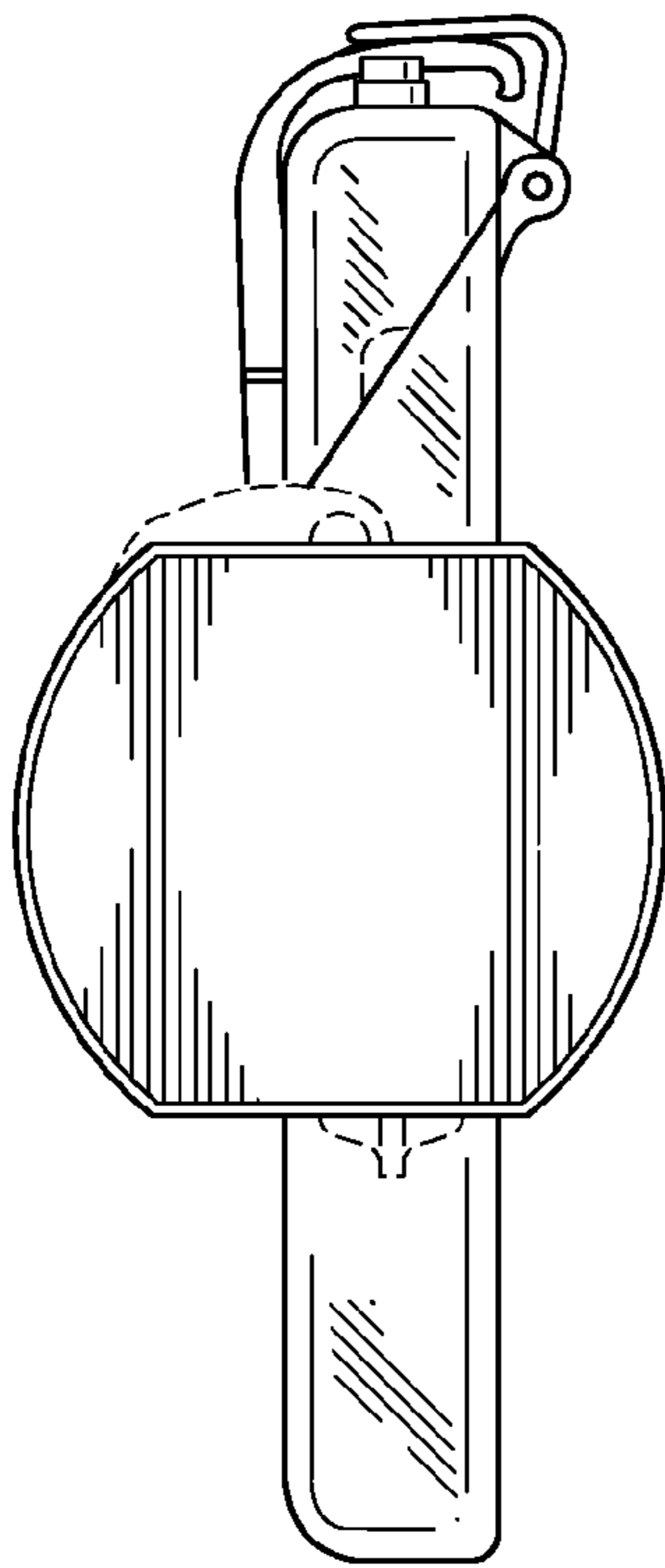


FIG. 11

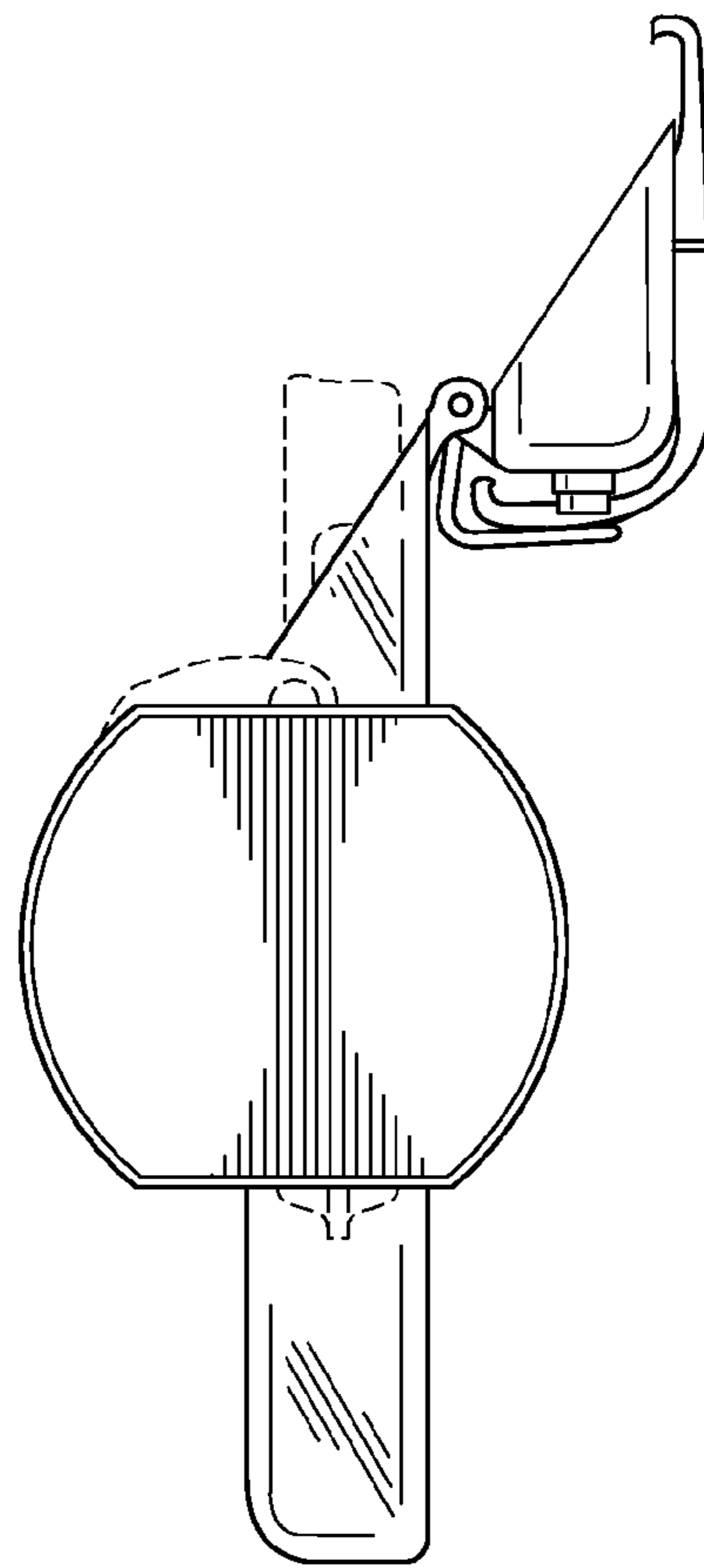


FIG. 12

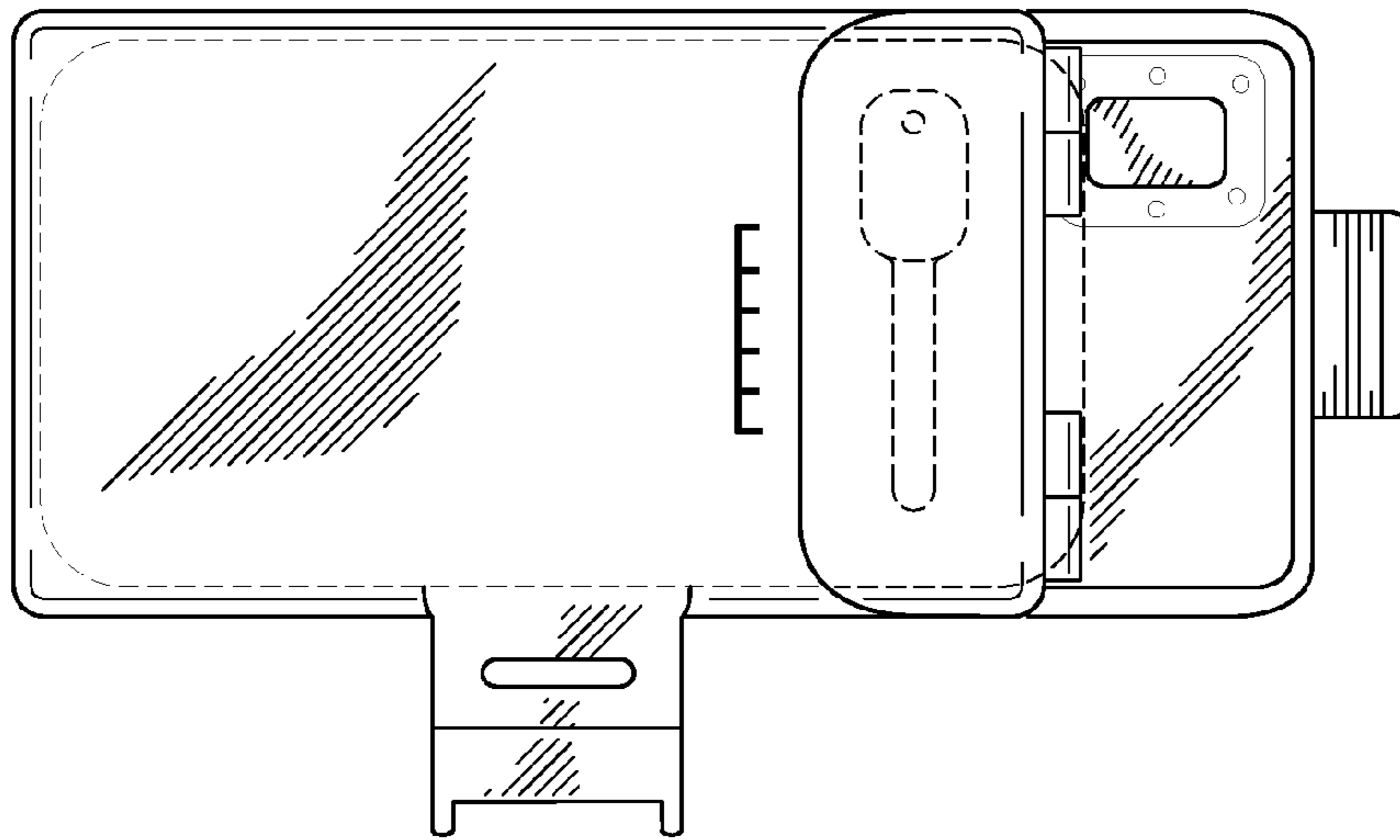


FIG. 13

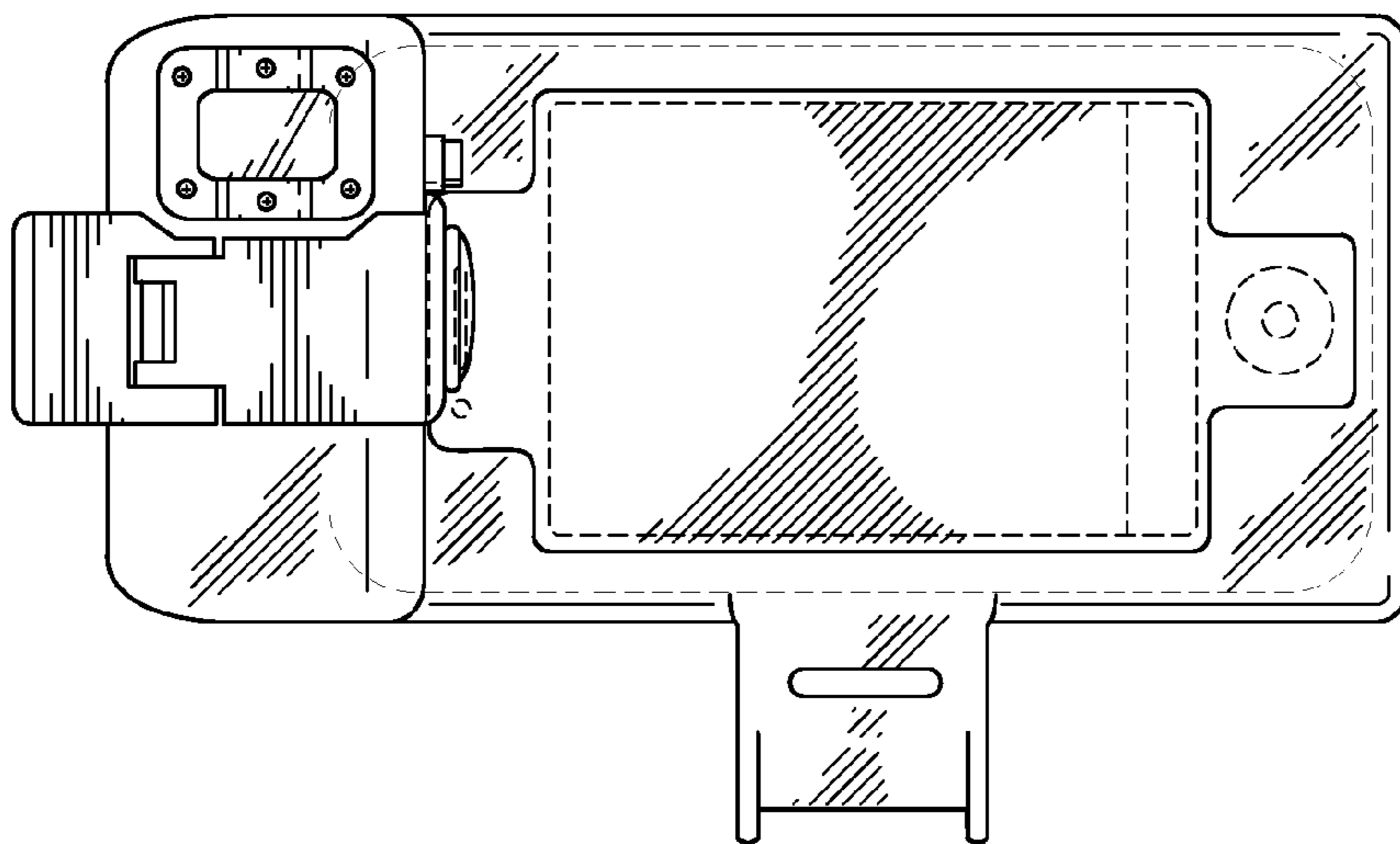
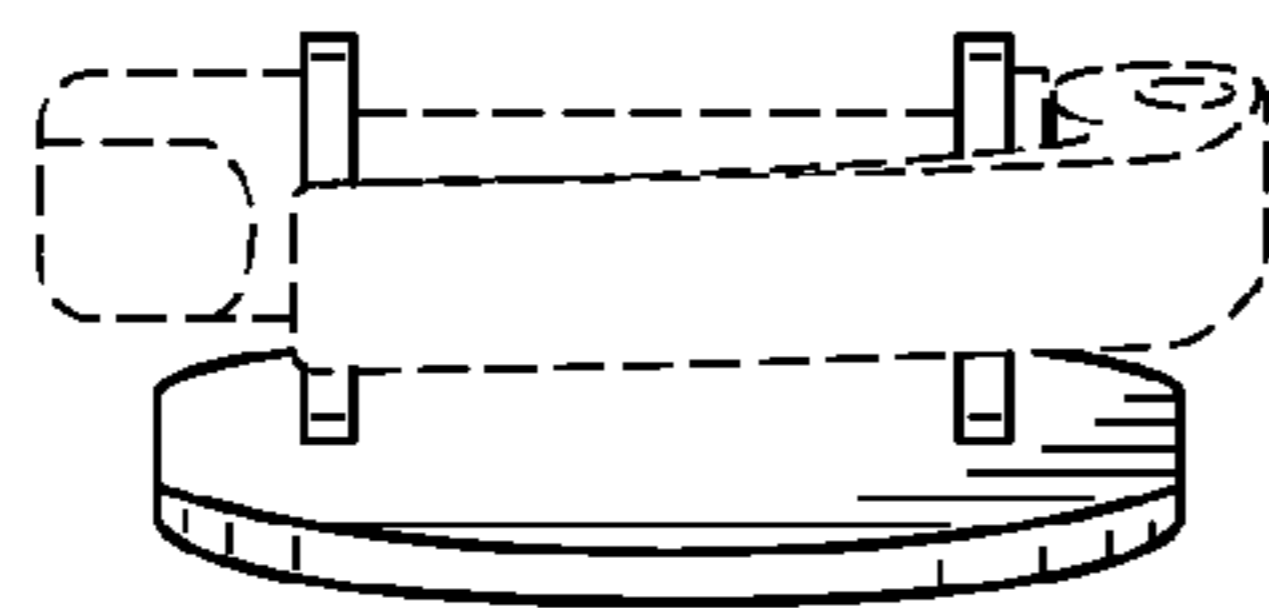
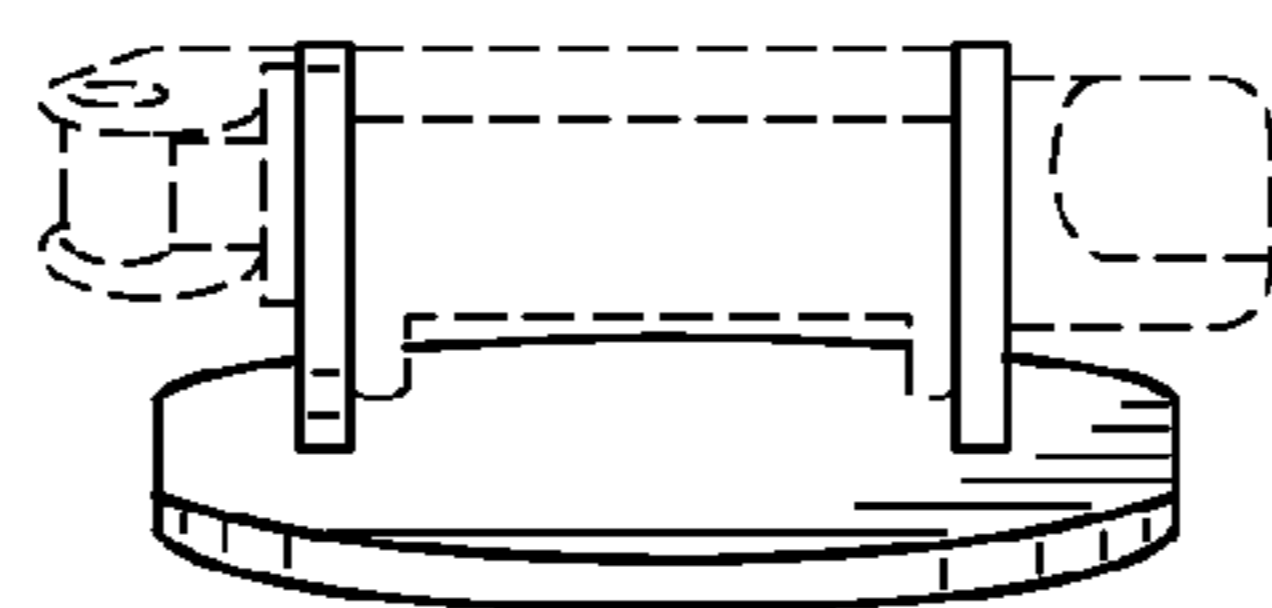


FIG. 14





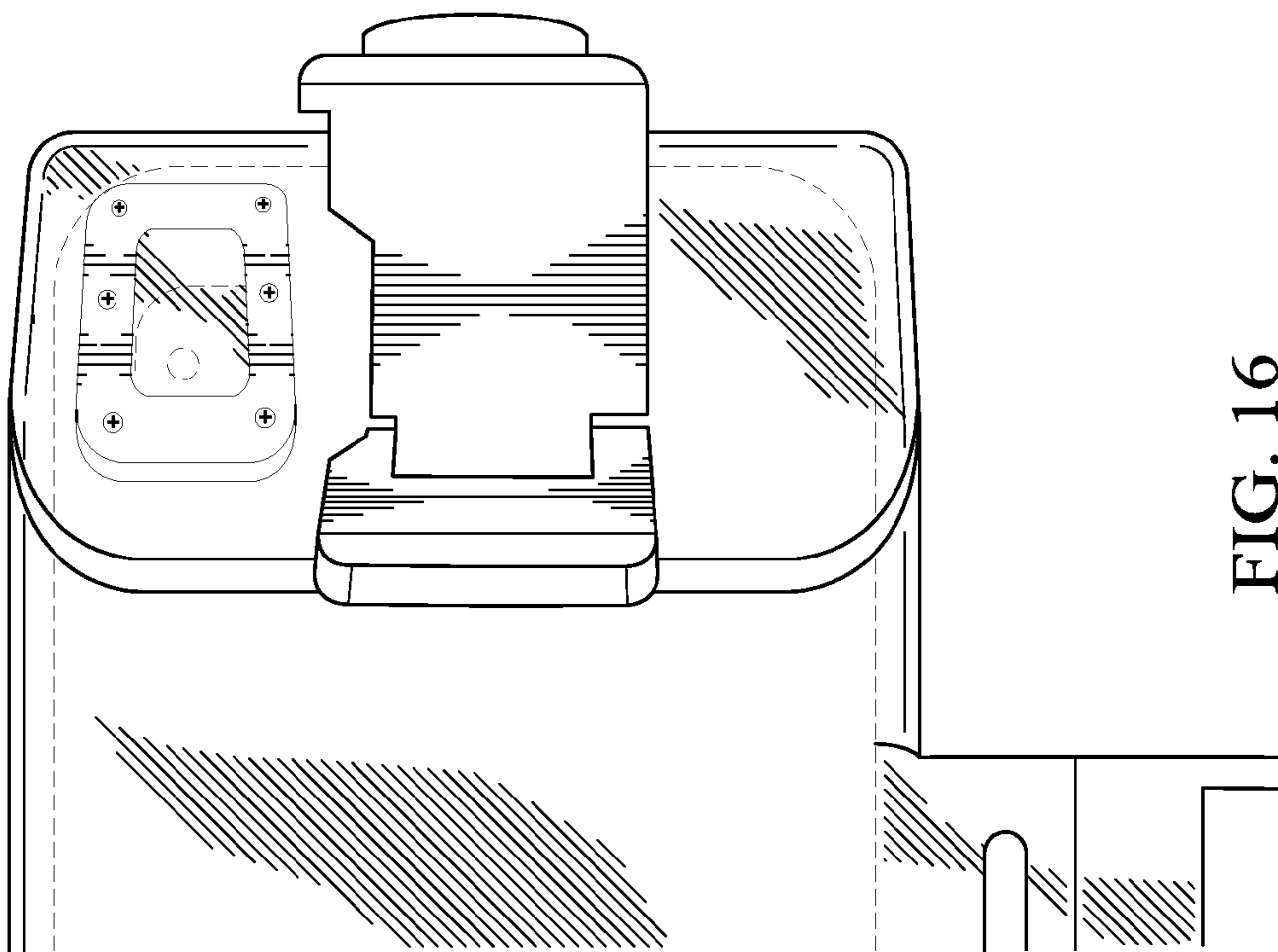


FIG. 16

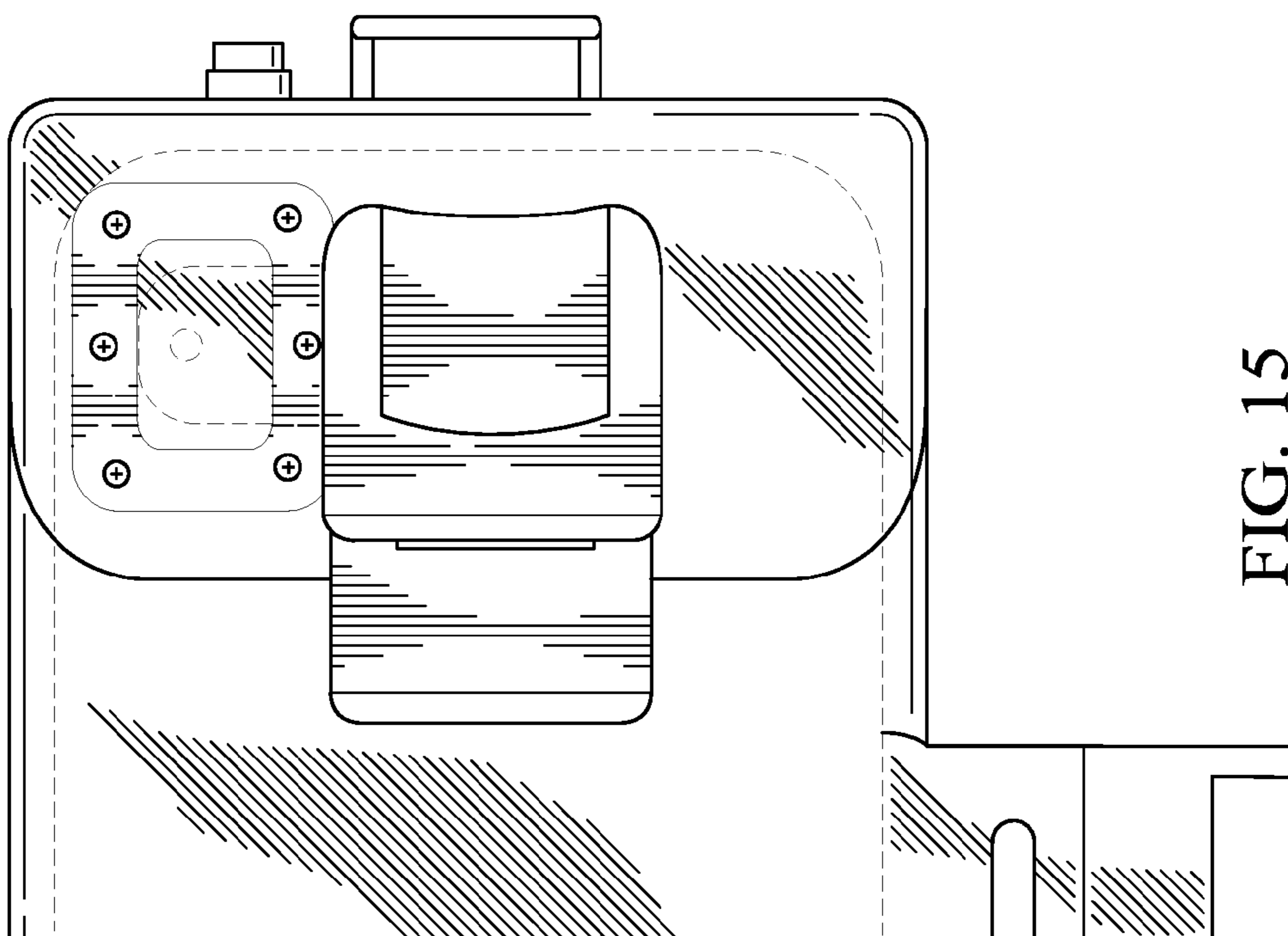


FIG. 15