



US00D684558S

(12) **United States Design Patent**
Hansson et al.

(10) **Patent No.:** **US D684,558 S**
(45) **Date of Patent:** **** Jun. 18, 2013**

(54) **EARCUP**

(75) Inventors: **Olof Hansson**, Värnamo (SE); **Johan Håkansson**, Växjö (SE); **Tobias Good**, Västra Frölunda (SE); **Johan Martin Sallander**, Jönköping (SE)

(73) Assignee: **3M Innovative Properties Company**, St. Paul, MN (US)

(**) Term: **14 Years**

(21) Appl. No.: **29/412,142**

(22) Filed: **Jan. 31, 2012**

(30) **Foreign Application Priority Data**

Aug. 3, 2011 (EP) 1287783

(51) **LOC (9) Cl.** **14-01**

(52) **U.S. Cl.**
USPC **D14/205**

(58) **Field of Classification Search**
USPC D14/205, 206, 223, 248; D29/112, D29/122; 181/129, 130, 135; 379/430, 431; 381/380, 381; 455/90.3, 575.1; 2/209, 175.4; D13/133

See application file for complete search history.

(56) **References Cited**

U.S. PATENT DOCUMENTS

1,388,561	A	*	8/1921	Grote	206/388
D313,092	S	*	12/1990	Nilsson	D29/112
D405,752	S	*	2/1999	Mason	D13/103
D434,410	S	*	11/2000	Frye et al.	D14/248
D459,033	S	*	6/2002	Dix et al.	D29/112
D459,034	S	*	6/2002	Dix et al.	D29/112

D459,345	S	*	6/2002	Vuolteenaho et al.	D14/248
D467,912	S	*	12/2002	Lai et al.	D14/248
D468,063	S	*	12/2002	Nilsson	D29/112
D482,026	S	*	11/2003	Helin	D14/248
D525,947	S	*	8/2006	Gerard et al.	D13/168
D551,626	S	*	9/2007	Ho et al.	D13/147
D555,150	S	*	11/2007	Christopher et al.	D14/223
D571,737	S	*	6/2008	Koury et al.	D13/168
7,424,125	B2		9/2008	Amae		
7,433,466	B2	*	10/2008	Mason	379/433.01
D582,899	S	*	12/2008	Wai	D14/223
D591,274	S	*	4/2009	Khubani	D14/223
D600,682	S	*	9/2009	Wai	D14/223
D638,586	S	*	5/2011	Aaskov et al.	D29/122
D649,958	S	*	12/2011	Park	D14/223
D661,283	S	*	6/2012	Huang	D14/223
D663,900	S	*	7/2012	Karlsson et al.	D29/112
D669,887	S	*	10/2012	Maddern	D14/223

* cited by examiner

Primary Examiner — Paula Greene

(57) **CLAIM**

The ornamental design for an earcup, as shown and described.

DESCRIPTION

FIG. 1 is a perspective view, showing the new design for an earcup;

FIG. 2 is a front view thereof;

FIG. 3 is a right side view thereof;

FIG. 4 is a top view thereof;

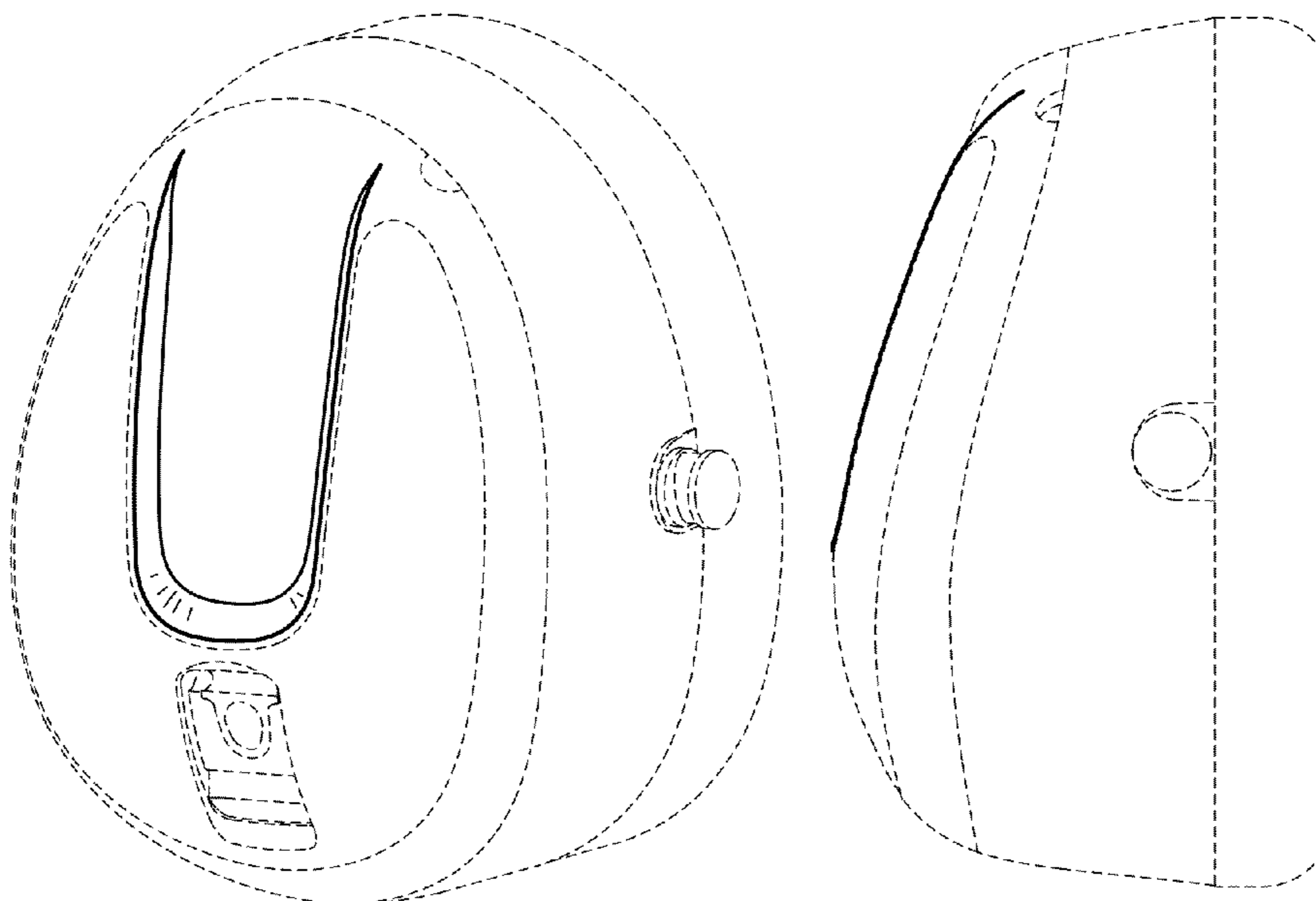
FIG. 5 is a left side view thereof;

FIG. 6 is a rear view thereof; and,

FIG. 7 is a bottom view thereof.

The broken lines form no part of the claimed design, and the shading is provided to illustrate contour only and is not an indication of texture, gloss, etc.

1 Claim, 2 Drawing Sheets



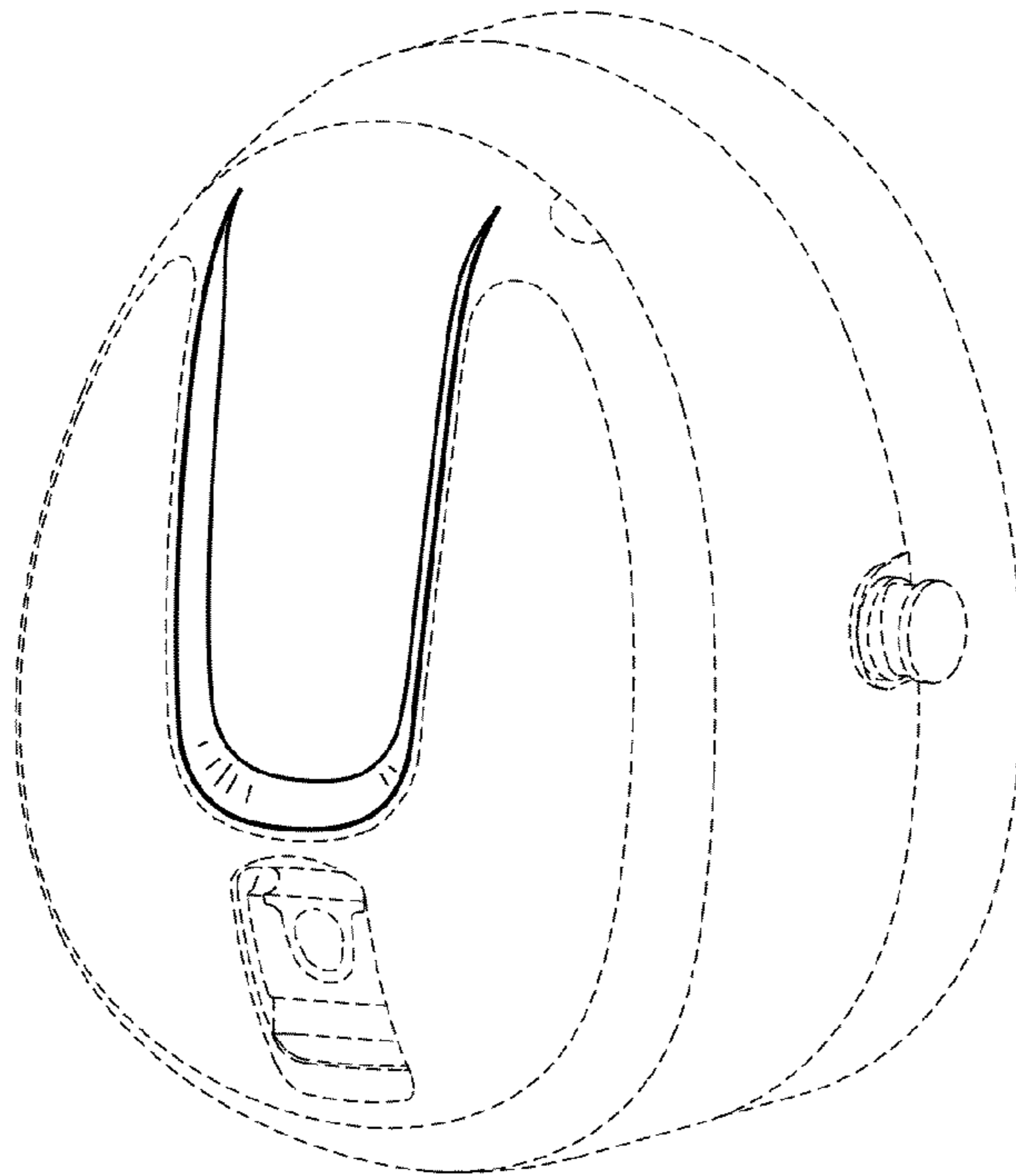


FIG. 1

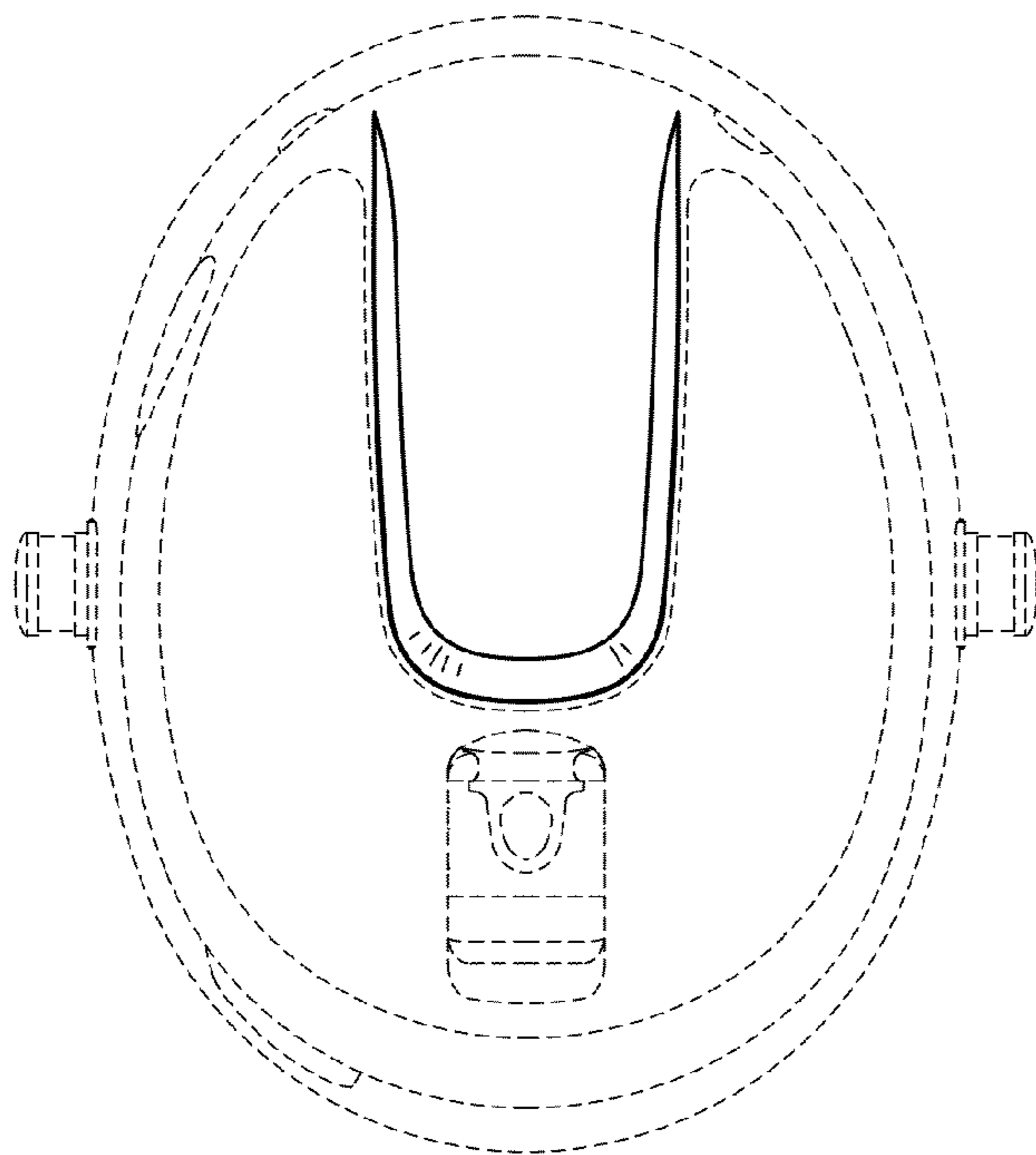


FIG. 2

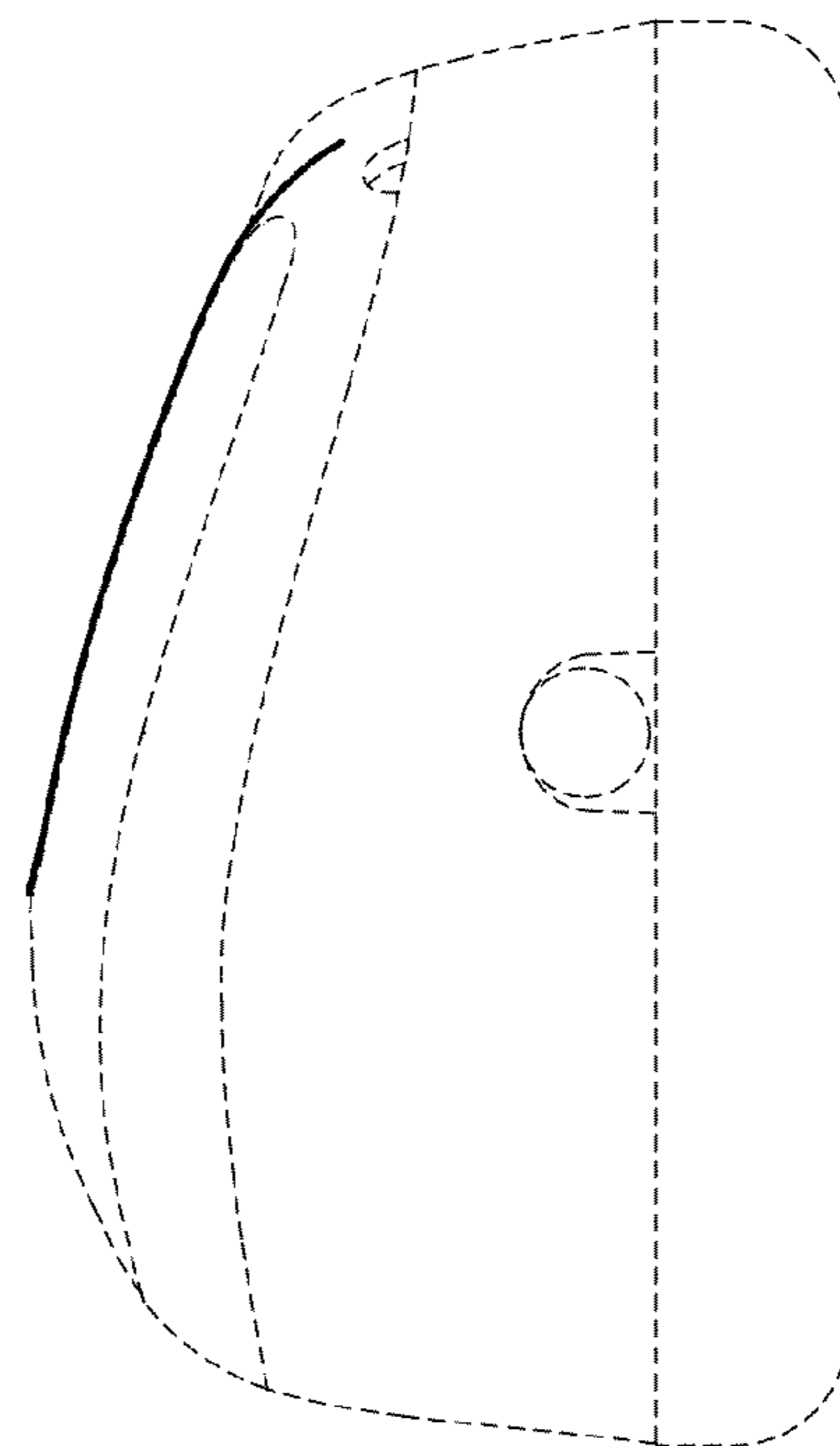


FIG. 3

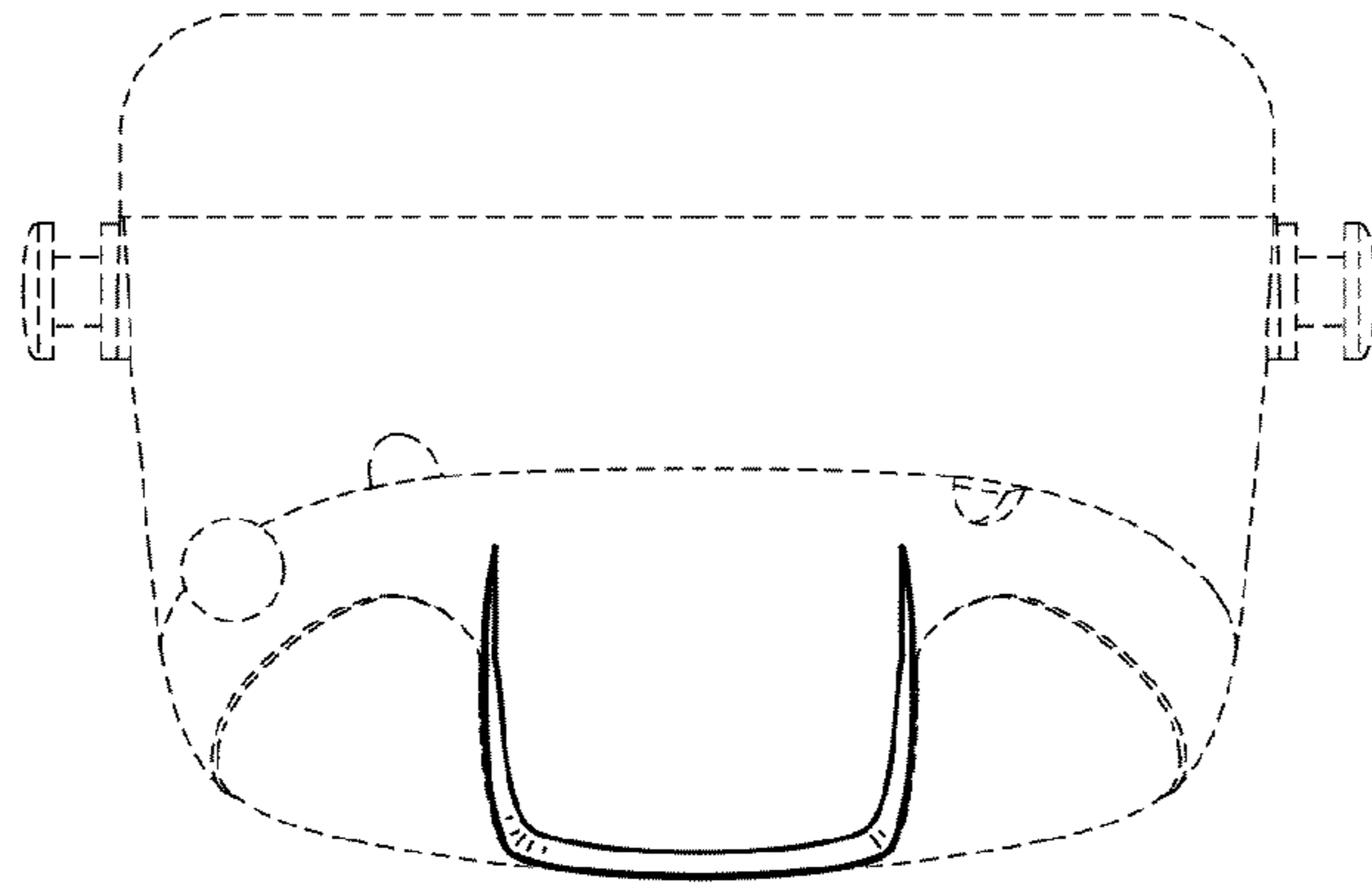


FIG. 4

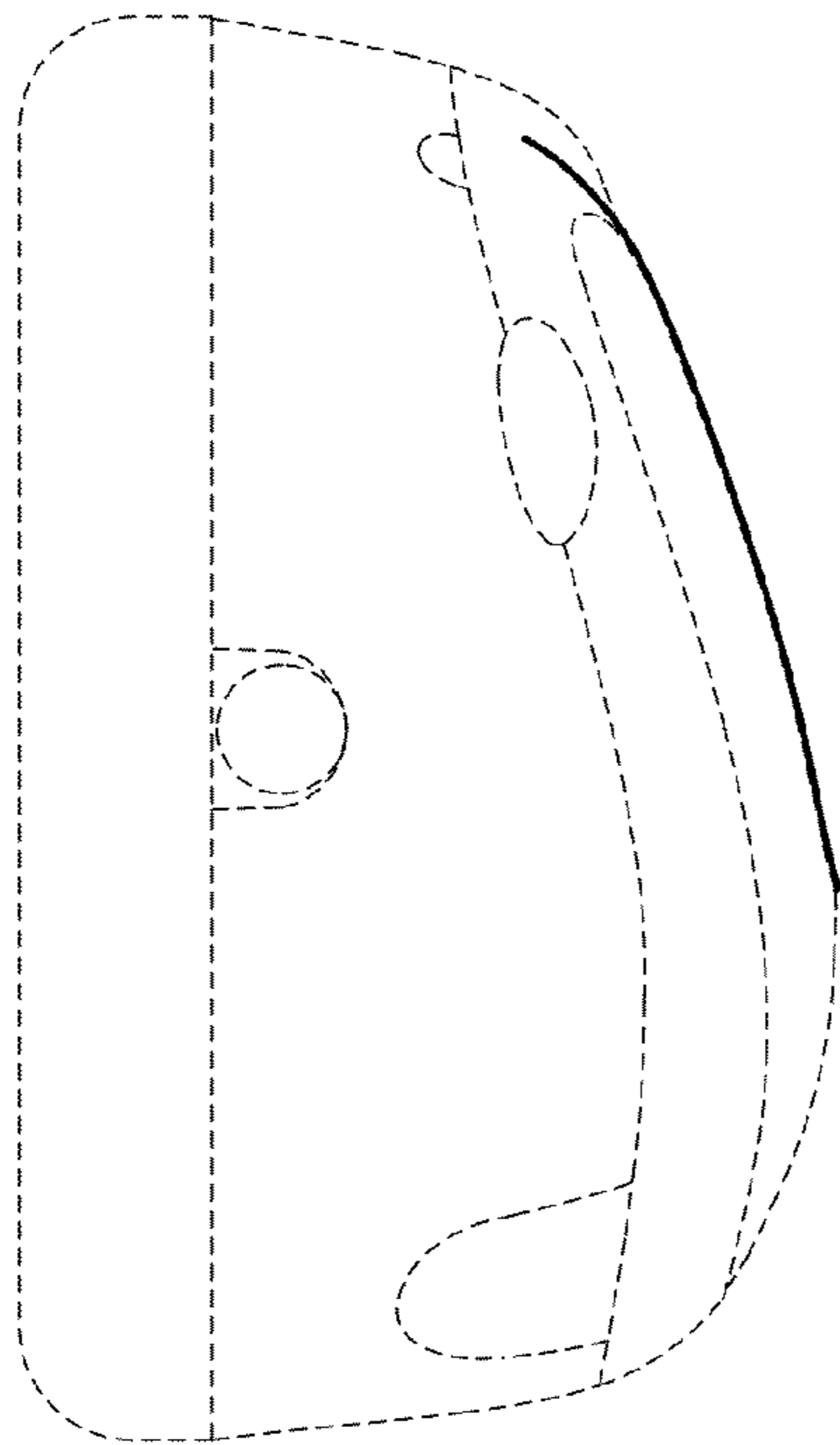


FIG. 5

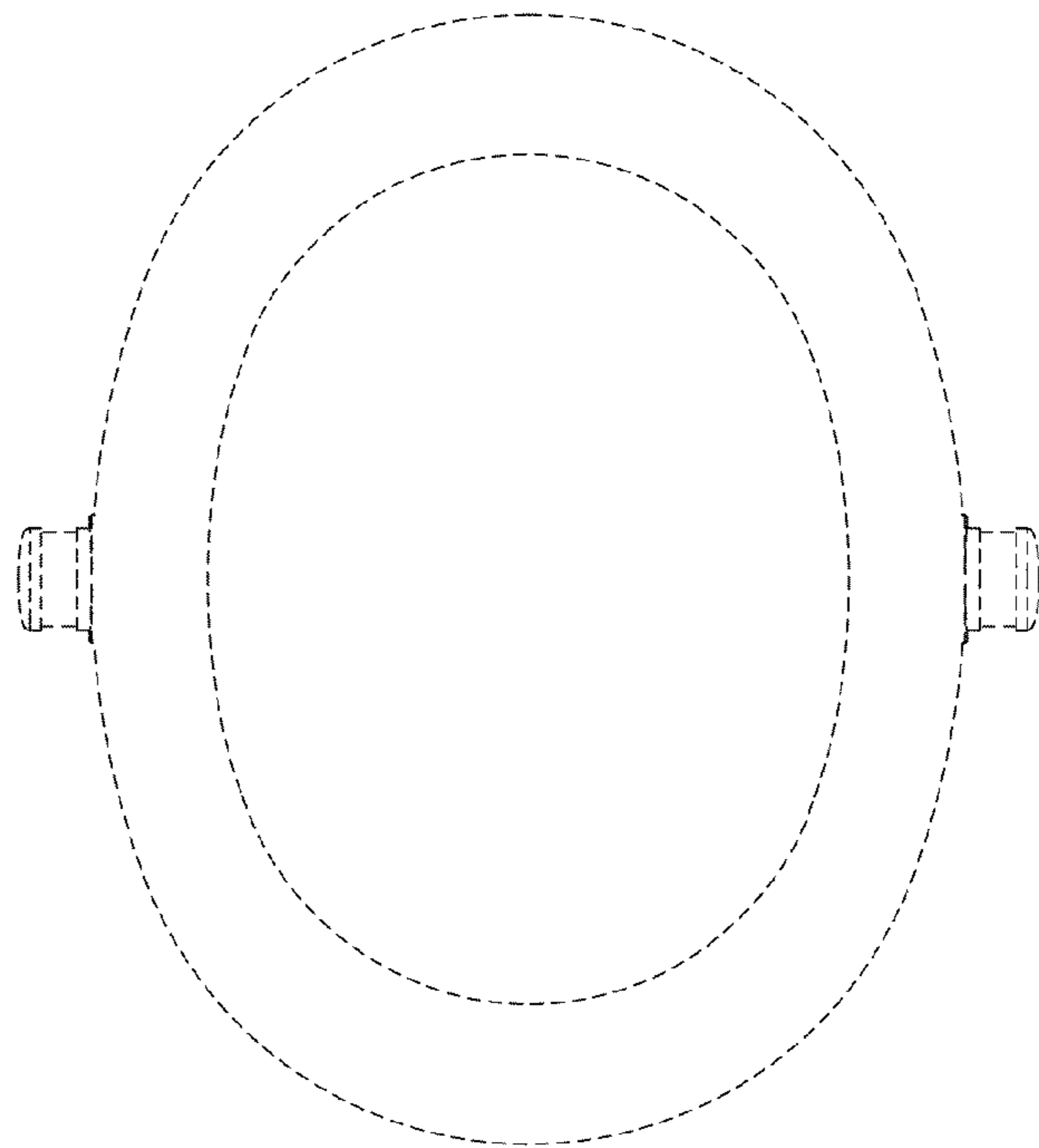


FIG. 6

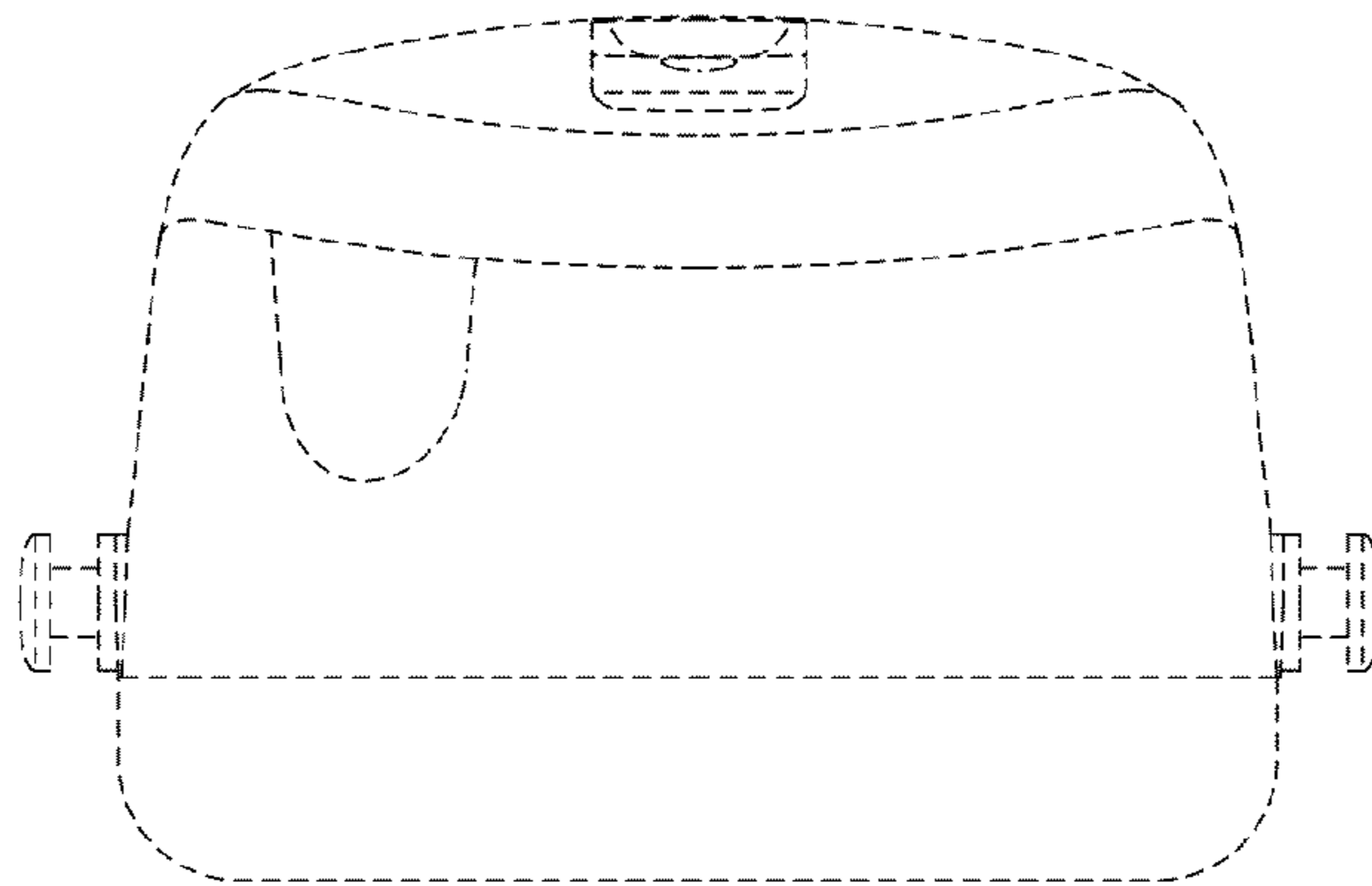


FIG. 7