



US00D684557S

(12) **United States Design Patent**  
**Warden et al.**

(10) **Patent No.:** **US D684,557 S**  
(45) **Date of Patent:** **\*\* \*Jun. 18, 2013**

(54) **LOUDSPEAKER**

181/144; 381/300-303, 306, 332, 333, 336,  
381/345, 361-364, 370, 386-388

(71) Applicants: **Robert A. Warden**, Southborough, MA (US); **Randy J. Kulchy**, Shrewsbury, MA (US); **Peter C. Santoro**, Shirley, MA (US); **Willy Chung**, Waltham, MA (US)

See application file for complete search history.

(56) **References Cited**

U.S. PATENT DOCUMENTS

4,165,797	A *	8/1979	Spetalnik	181/147
D295,857	S *	5/1988	Nagashima	D14/210
4,805,730	A *	2/1989	O'Neill et al.	181/148
4,843,624	A *	6/1989	Rashak	381/91
D462,065	S *	8/2002	Silverstein et al.	D14/214
D484,484	S *	12/2003	Green	D14/204
6,978,030	B2 *	12/2005	Reich	381/124
7,324,684	B2 *	1/2008	Enokido et al.	382/145
7,328,769	B1 *	2/2008	Adamson	181/199
D569,844	S *	5/2008	Thompson et al.	D14/214
D637,580	S *	5/2011	Aranda et al.	D14/214
D641,339	S *	7/2011	Miller	D14/214
D660,285	S *	5/2012	Lee et al.	D14/214

\* cited by examiner

*Primary Examiner* — Prabhakar Deshmukh

(57) **CLAIM**

The ornamental design for a loudspeaker, substantially as shown and described.

**DESCRIPTION**

FIG. 1 is a perspective view of our new design as seen from the front, top and right side of the loudspeaker; FIG. 2 is a front view thereof; FIG. 3 is a back view thereof; FIG. 4 is a top view thereof; FIG. 5 is a bottom view thereof; FIG. 6 is a left side view thereof; and, FIG. 7 is a right side view thereof. The broken lines shown in the figures are for environmental purposes only and form no part of the claimed design.

**1 Claim, 6 Drawing Sheets**

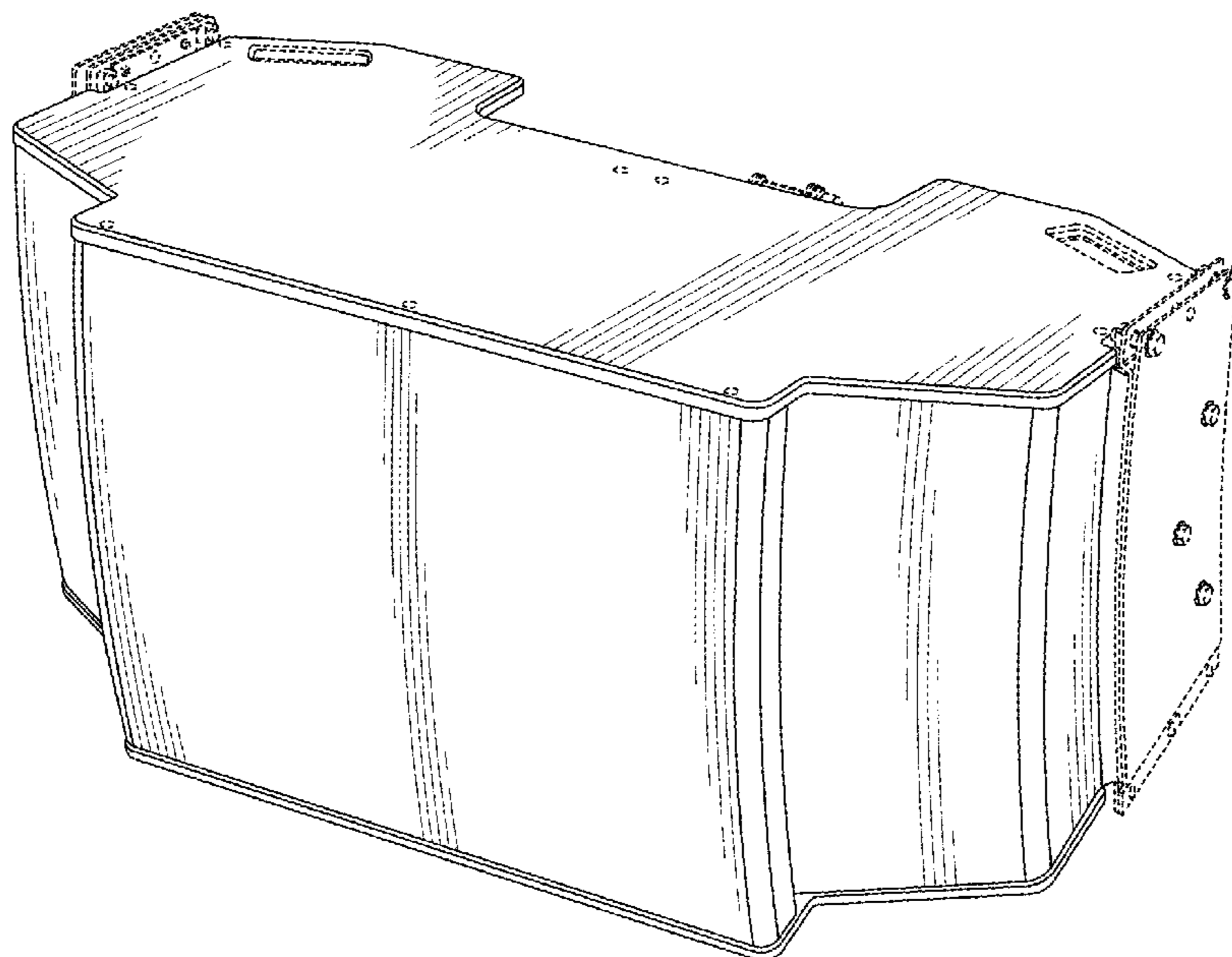
**Related U.S. Application Data**

(60) Continuation of application No. 29/411,221, filed on Jan. 18, 2012, now Pat. No. Des. 671,913, which is a division of application No. 29/376,288, filed on Oct. 5, 2010, now Pat. No. Des. 654,906.

(51) **LOC (9) Cl.** ..... **14-01**

(52) **U.S. Cl.**  
USPC ..... **D14/204**

(58) **Field of Classification Search**  
USPC ..... D14/204, 210, 218, 172; 181/143,  
181/147, 148, 150, 153, 157, 198, 199, 166,



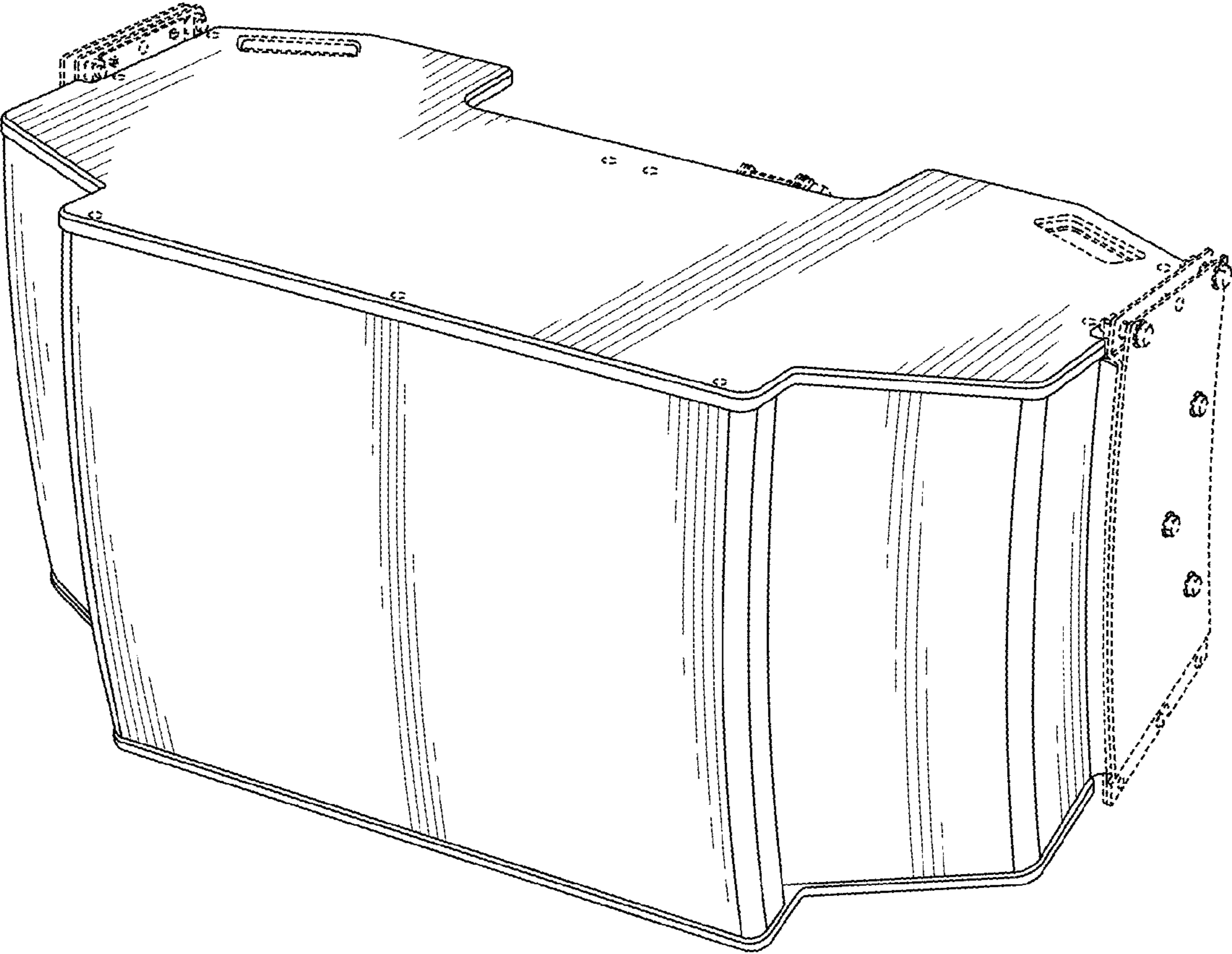


FIG. 1

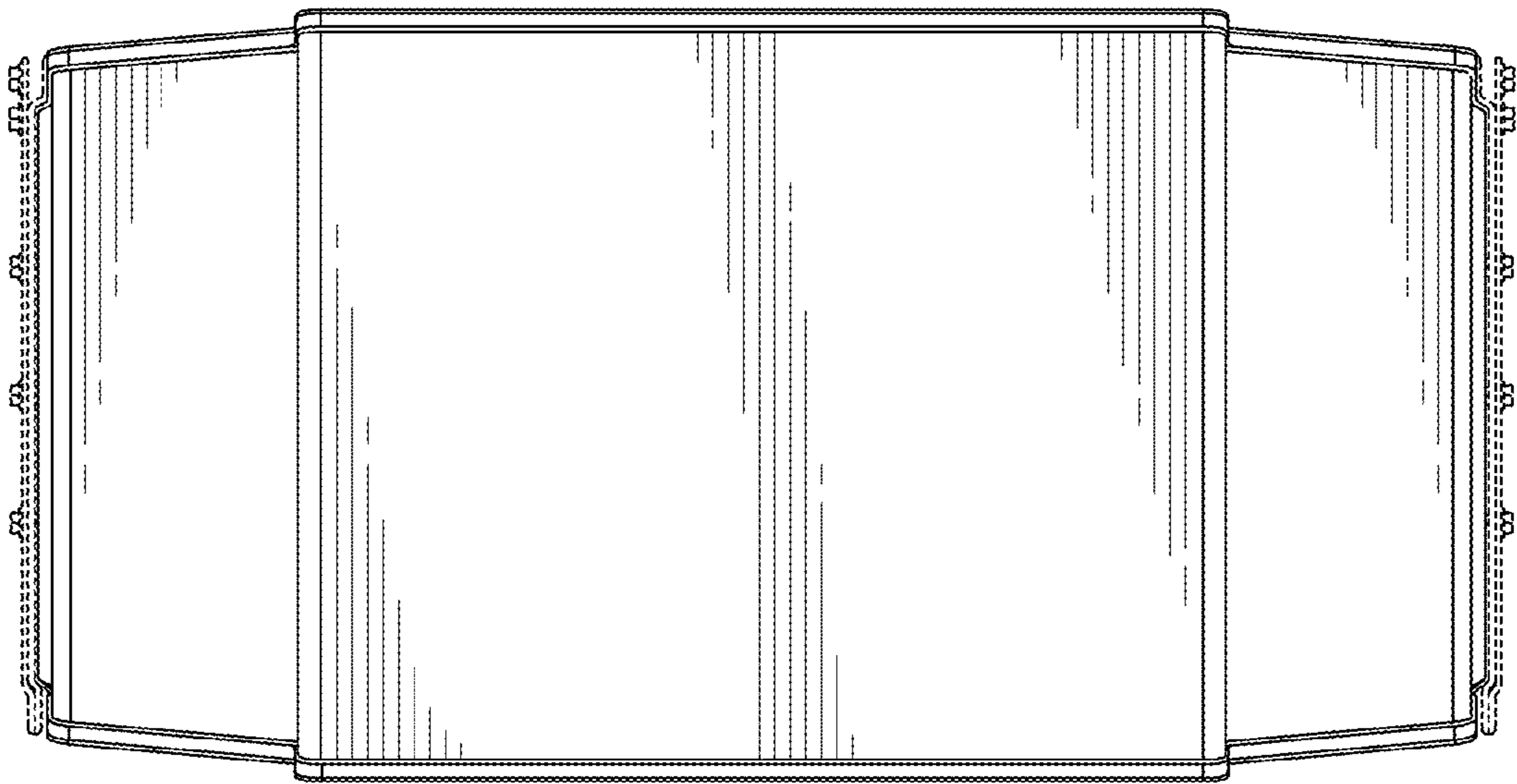


FIG. 2

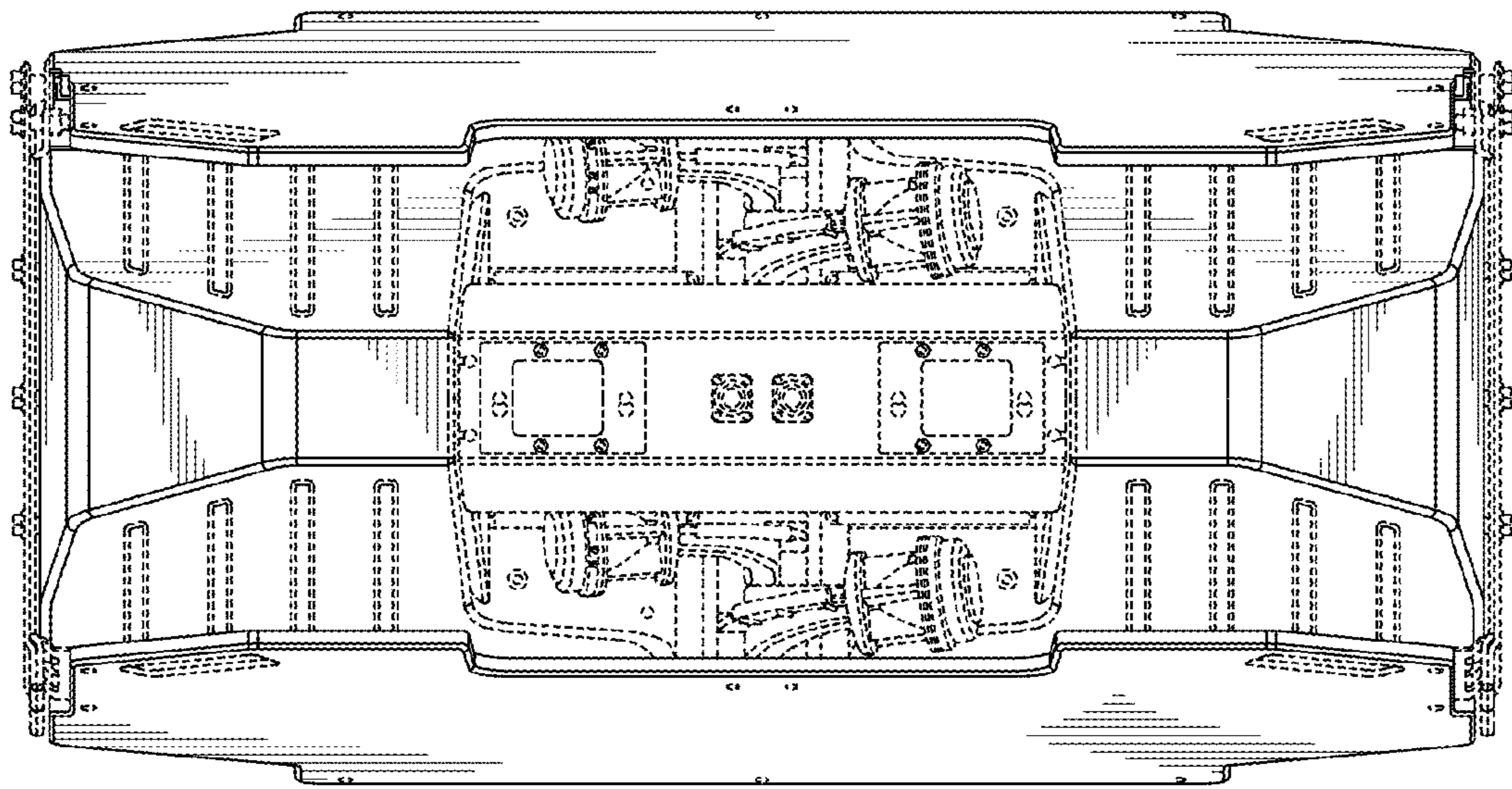


FIG. 3

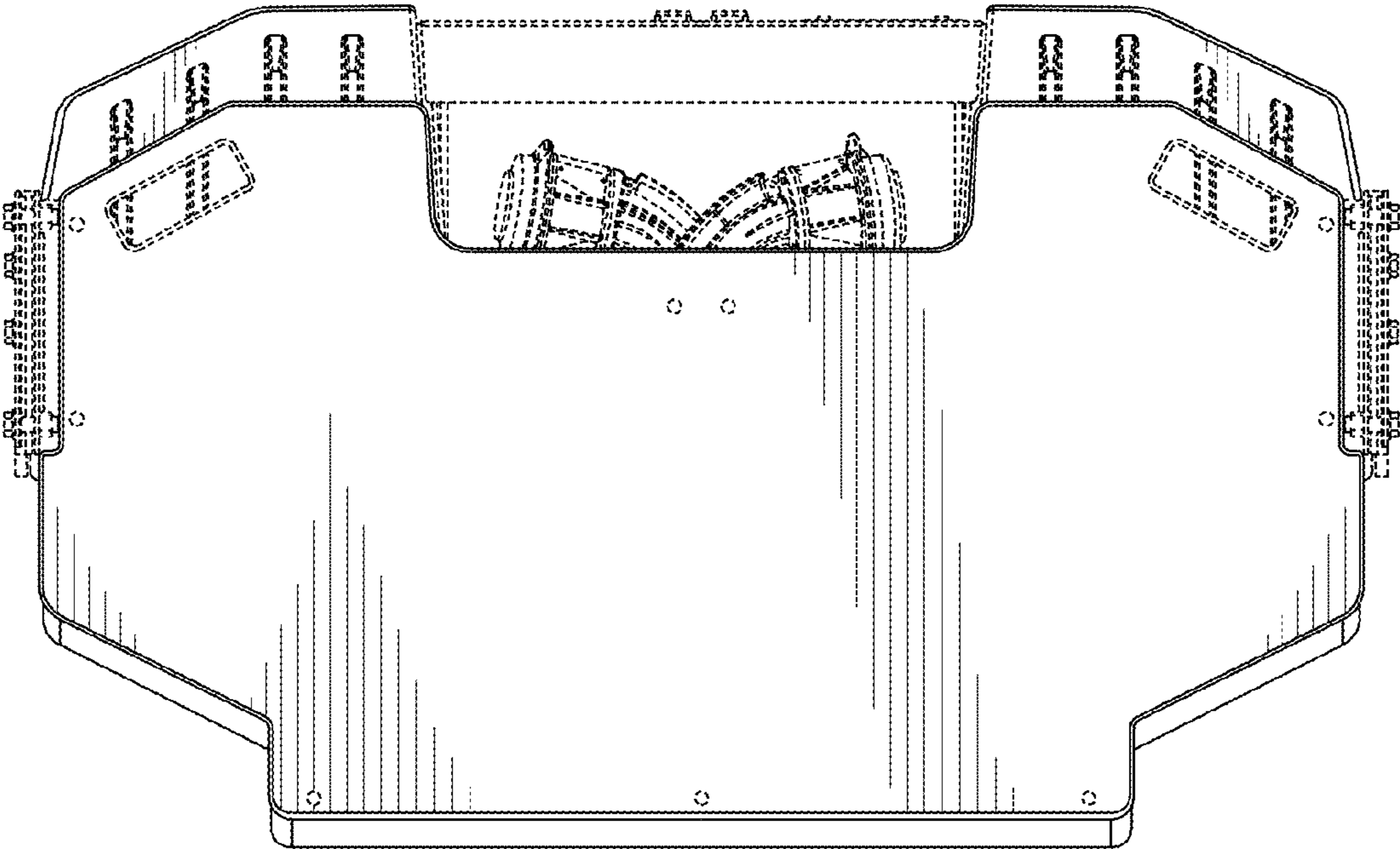


FIG. 4

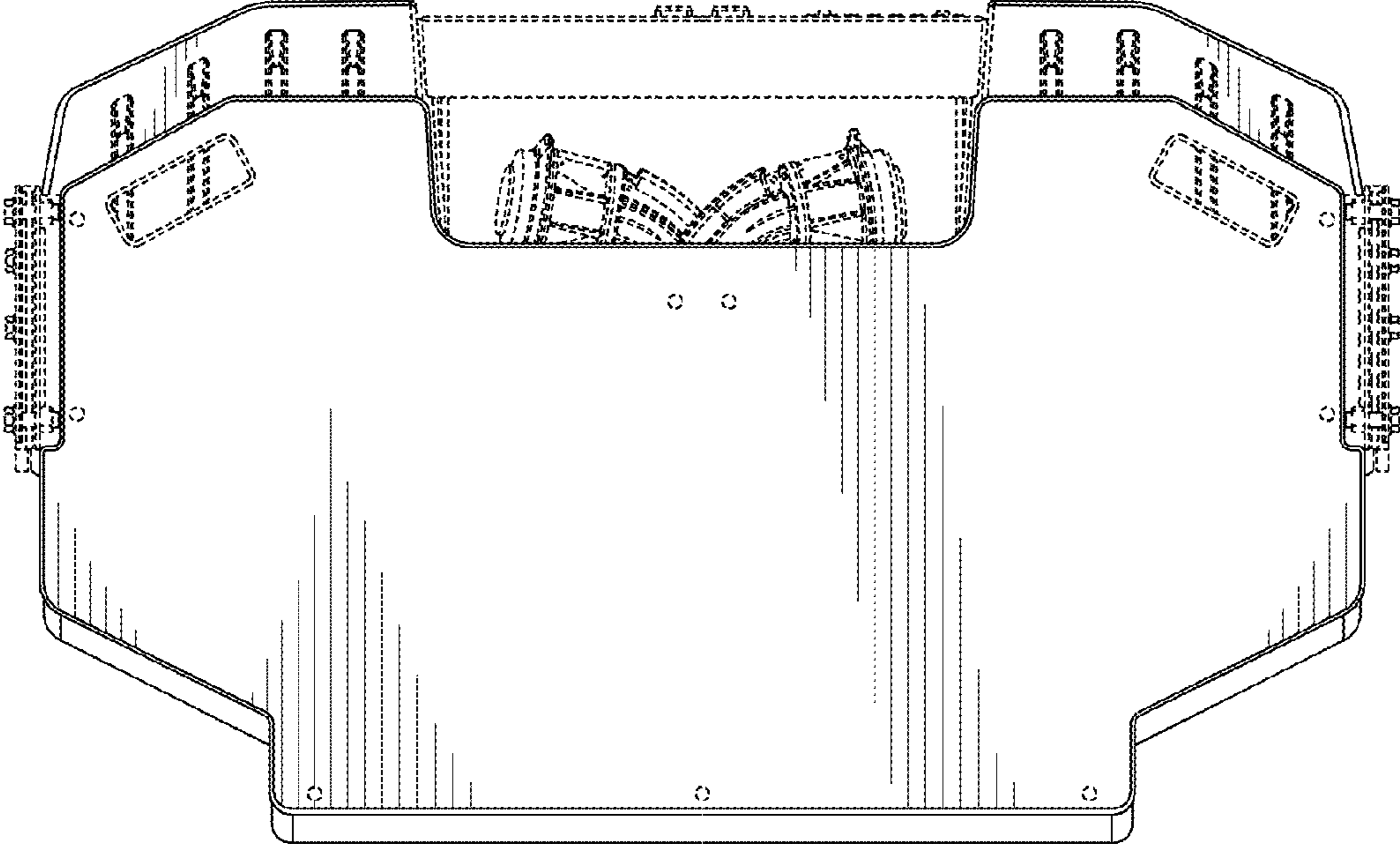


FIG. 5

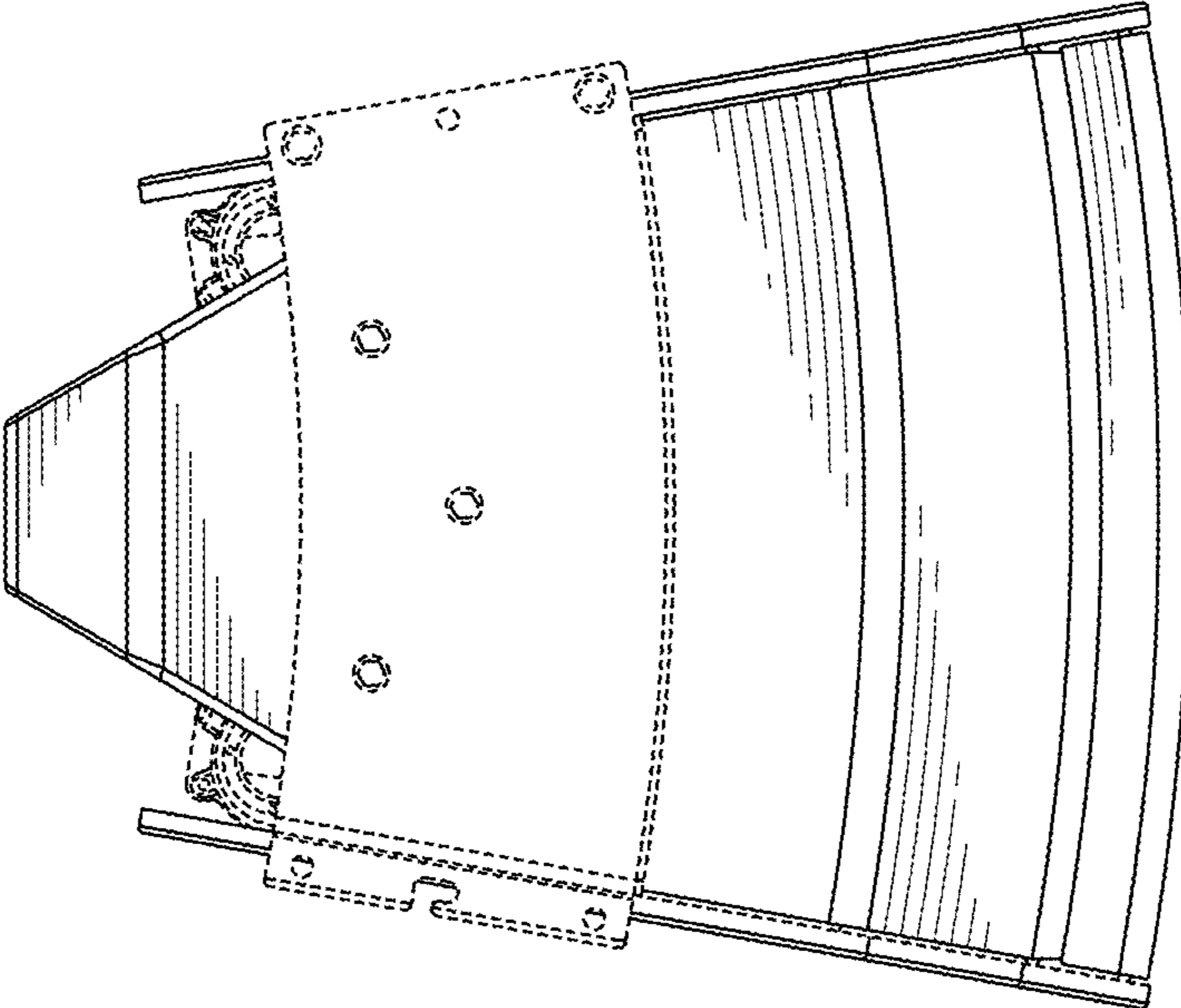


FIG. 6

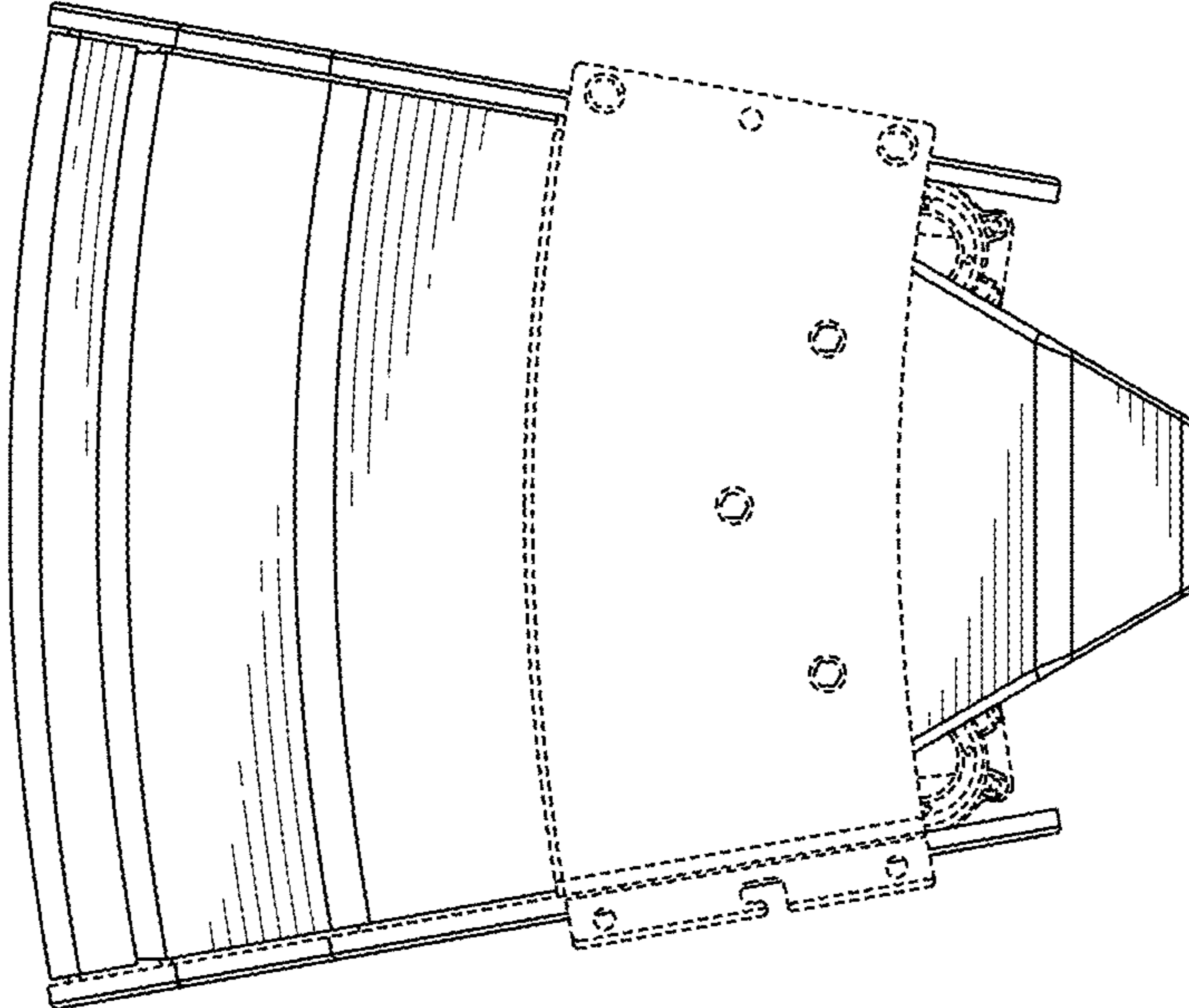


FIG. 7