



US00D684550S

(12) **United States Design Patent**
Yeh et al.

(10) **Patent No.:** **US D684,550 S**
(45) **Date of Patent:** **** Jun. 18, 2013**

(54) **LIGHT-EMITTING DIODE ARRAY**

(75) Inventors: **Hui-chun Yeh**, Tainan (TW); **Chien-fu Shen**, Tainan (TW); **Tsun-kai Ko**, Tainan (TW)

(73) Assignee: **Epistar Corporation**, Hsinchu (TW)

(**) Term: **14 Years**

(21) Appl. No.: **29/424,224**

(22) Filed: **Jun. 8, 2012**

(51) **LOC (9) Cl.** **13-03**

(52) **U.S. Cl.**
USPC **D13/180**

(58) **Field of Classification Search**
USPC D13/180; D26/1; 257/79, 80, 81,
257/88, 89, 95, 98, 99, 100, E33.058; 313/483,
313/498, 500; 362/555, 800
See application file for complete search history.

(56) **References Cited**

U.S. PATENT DOCUMENTS

D566,057	S *	4/2008	Edmond et al.	D13/180
D579,019	S *	10/2008	Lei et al.	D14/435
D638,377	S *	5/2011	Yan et al.	D13/180
7,947,996	B2 *	5/2011	Sakamoto et al.	257/98
D646,234	S *	10/2011	Yao et al.	D13/180
D648,287	S *	11/2011	Hsu et al.	D13/180
8,120,057	B2 *	2/2012	Sano et al.	257/99
D656,908	S *	4/2012	Hsu et al.	D13/180
8,188,504	B2 *	5/2012	Lee	257/99
8,188,505	B2 *	5/2012	Shen et al.	257/99
2006/0163604	A1 *	7/2006	Shin et al.	257/103
2007/0085089	A1 *	4/2007	Hsu	257/81
2012/0241808	A1 *	9/2012	Akiyama et al.	257/99

* cited by examiner

Primary Examiner — Selina Sikder

(74) *Attorney, Agent, or Firm* — Skaar Ulbrich Macari, P.A.

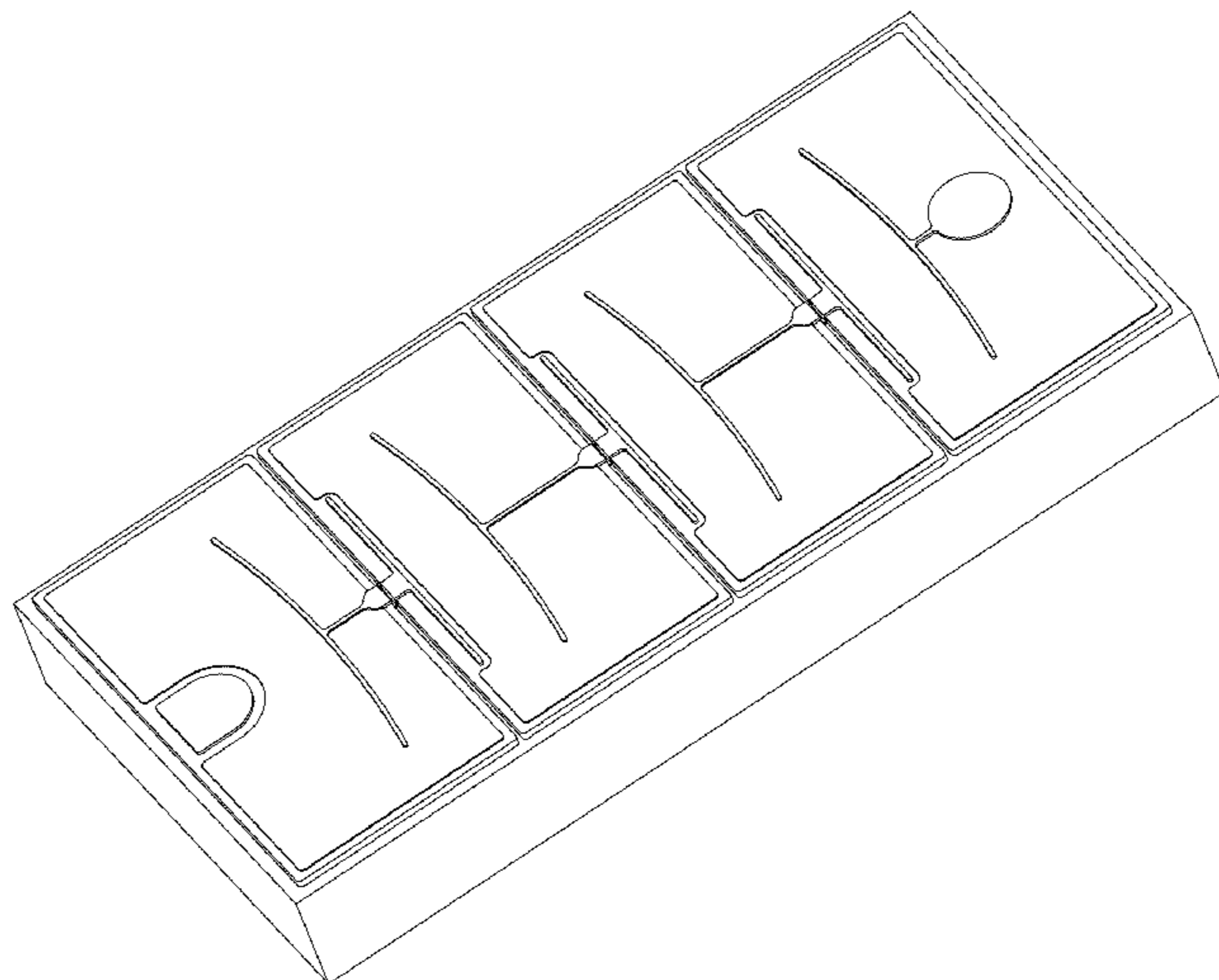
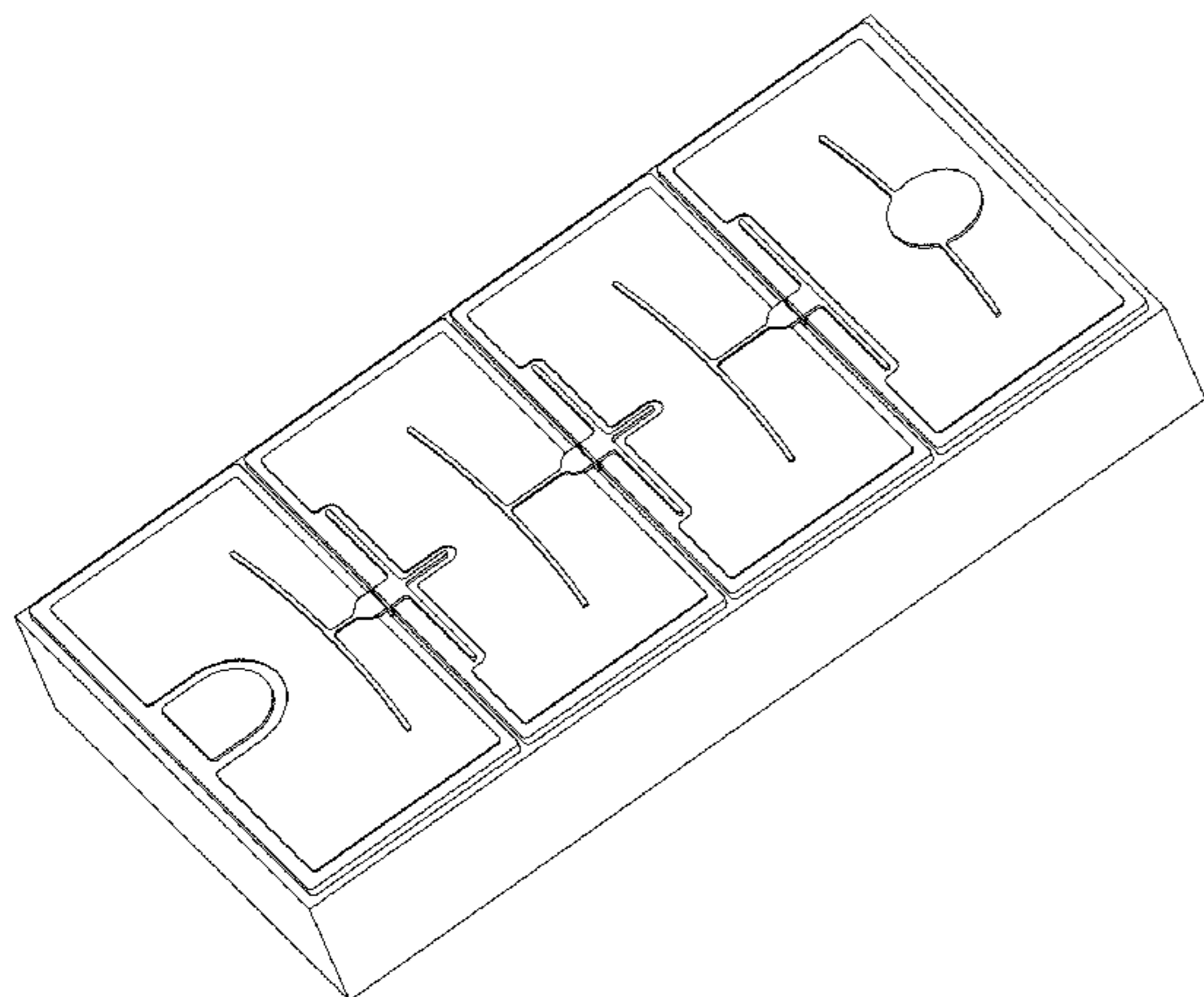
(57) **CLAIM**

We claim the ornamental design for a light-emitting diode array, as shown and described.

DESCRIPTION

FIG. 1 is a perspective view of the first embodiment showing the claimed design;
 FIG. 2 is another perspective view of FIG. 1;
 FIG. 3 is a front elevational view of FIG. 1;
 FIG. 4 is a rear elevational view of FIG. 1;
 FIG. 5 is a left side elevational view of FIG. 1;
 FIG. 6 is a right side elevational view of FIG. 1;
 FIG. 7 is a top plan view of FIG. 1;
 FIG. 8 is a bottom plan view of FIG. 1;
 FIG. 9 is a perspective view of the second embodiment showing the claimed design;
 FIG. 10 is another perspective view of FIG. 9;
 FIG. 11 is a front elevational view of FIG. 9;
 FIG. 12 is a rear elevational view of FIG. 9;
 FIG. 13 is a left side elevational view of FIG. 9;
 FIG. 14 is a right side elevational view of FIG. 9;
 FIG. 15 is a top plan view of FIG. 9;
 FIG. 16 is a bottom plan view of FIG. 9;
 FIG. 17 is a perspective view of the third embodiment showing the claimed design;
 FIG. 18 is another perspective view of FIG. 17;
 FIG. 19 is a front elevational view of FIG. 17;
 FIG. 20 is a rear elevational view of FIG. 17;
 FIG. 21 is a left side elevational view of FIG. 17;
 FIG. 22 is a right side elevational view of FIG. 17;
 FIG. 23 is a top plan view of FIG. 17; and,
 FIG. 24 is a bottom plan view of FIG. 17.

1 Claim, 15 Drawing Sheets



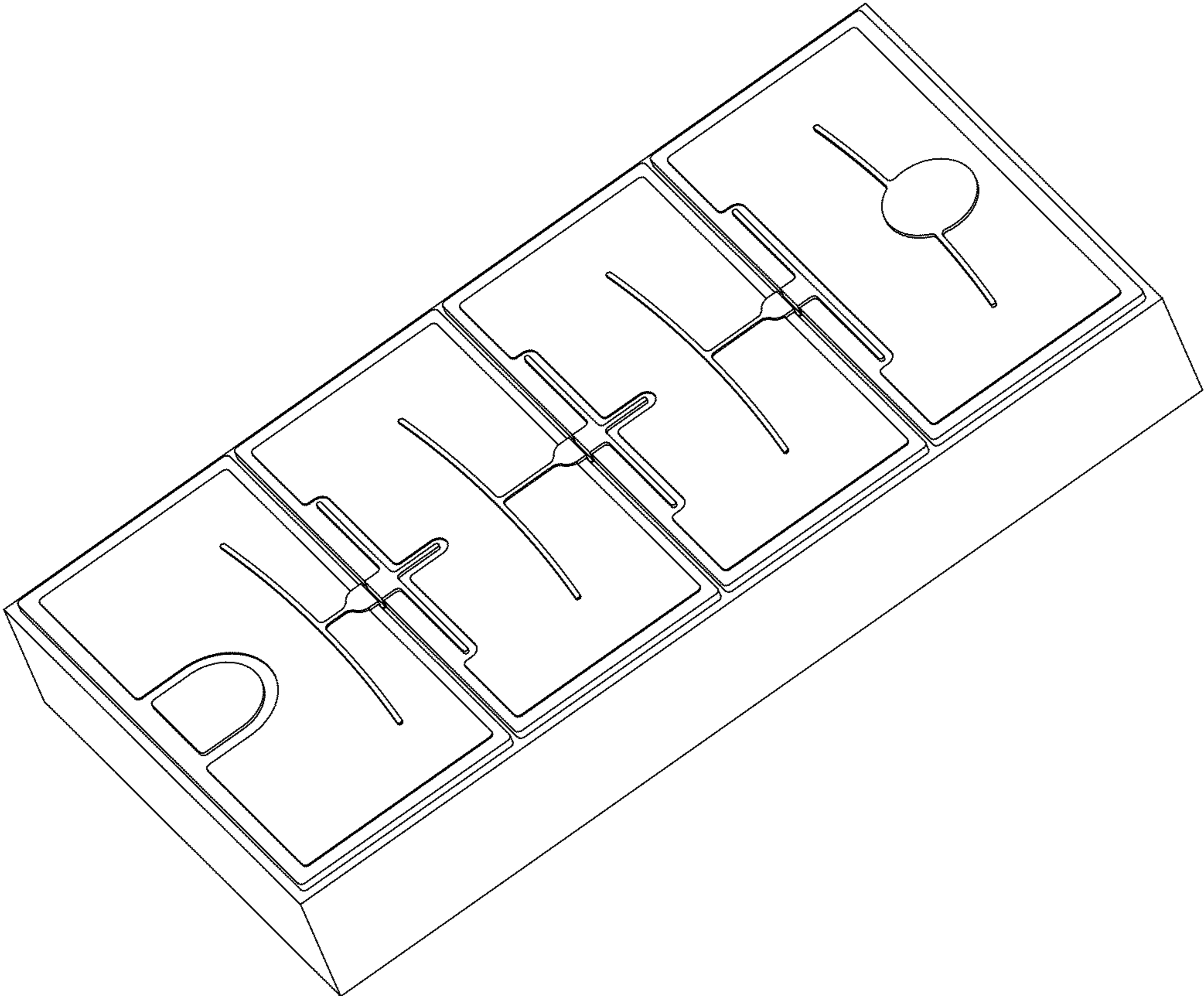


FIG.1

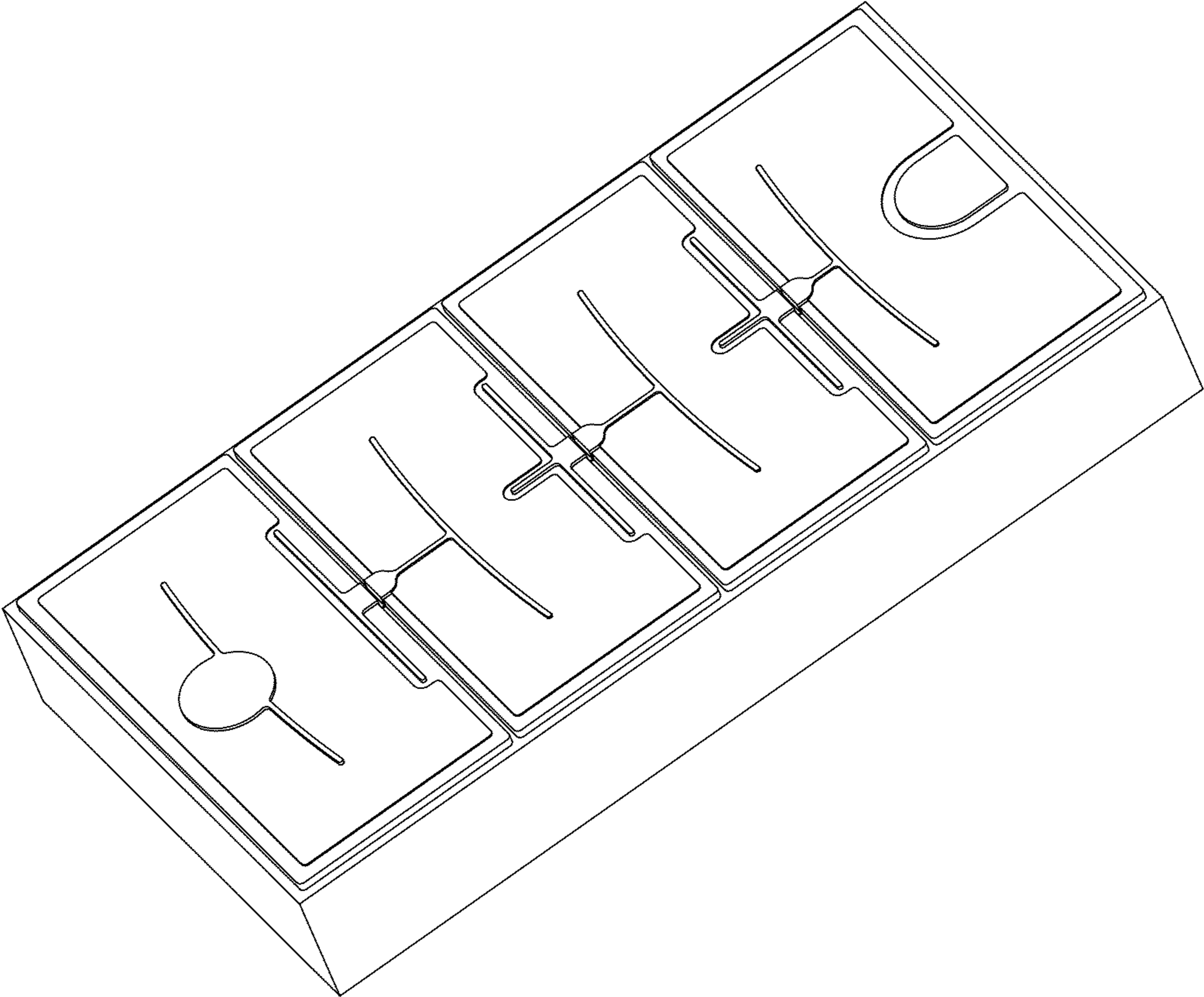


FIG.2

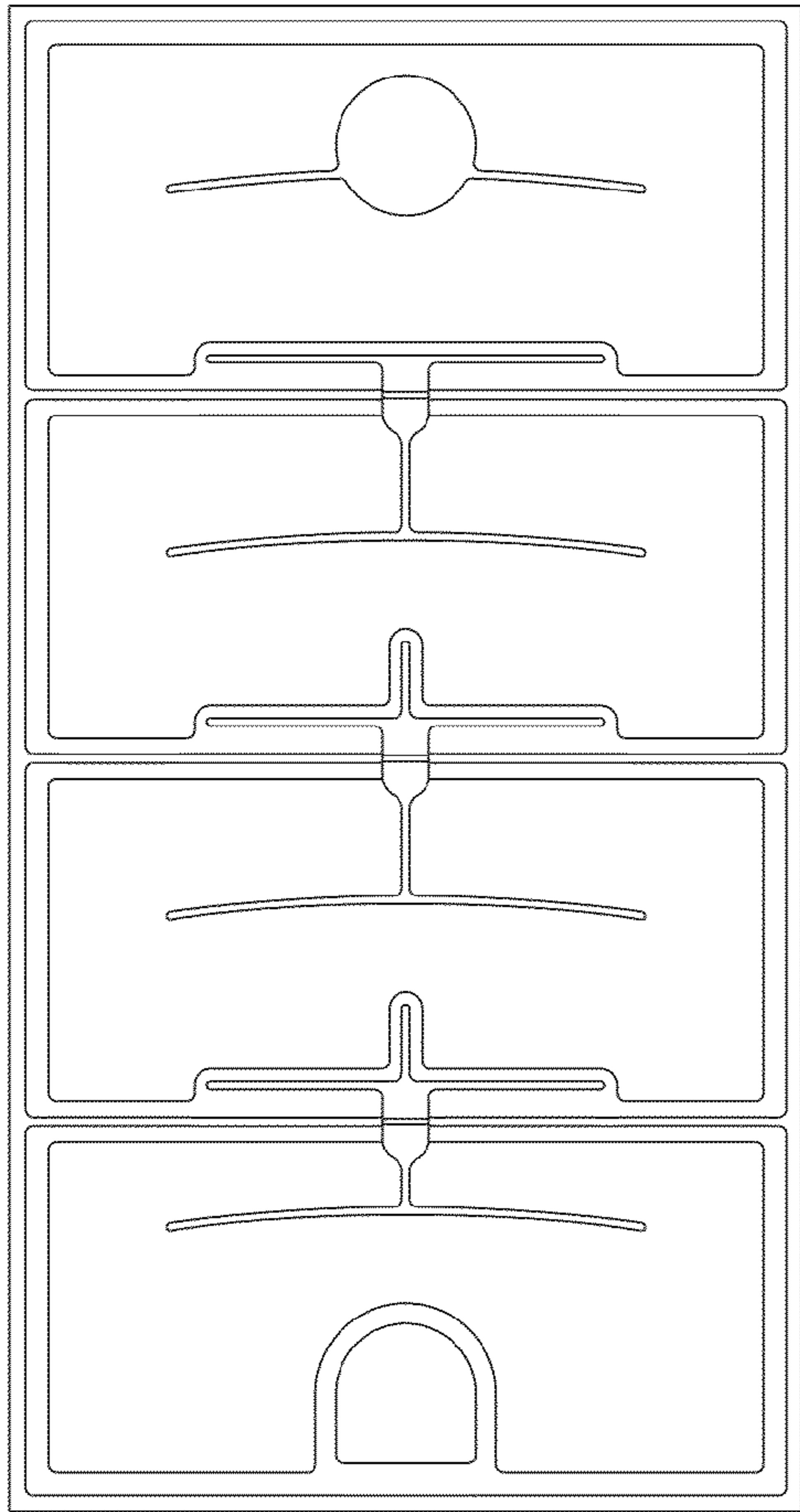


FIG.3

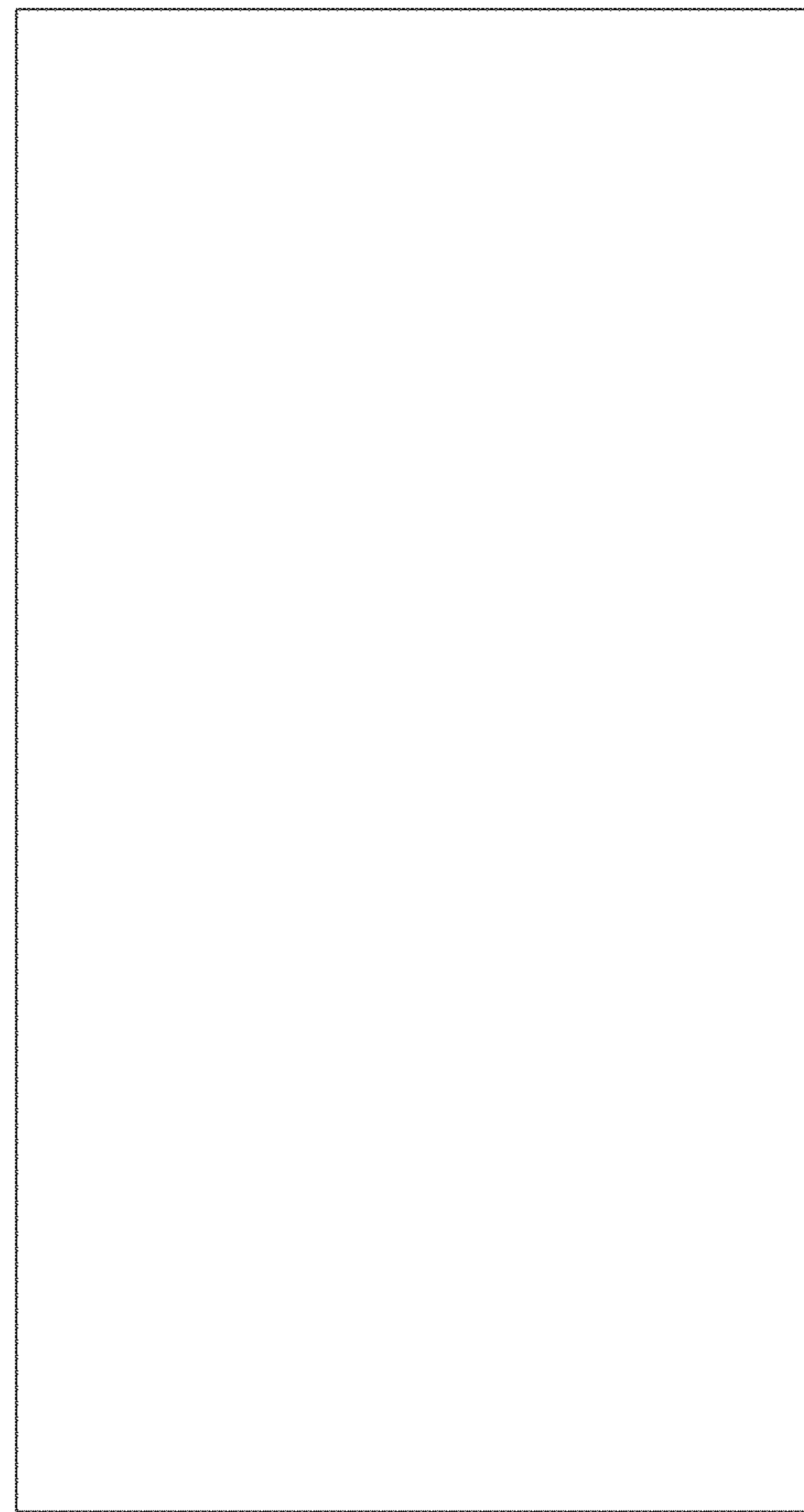


FIG.4

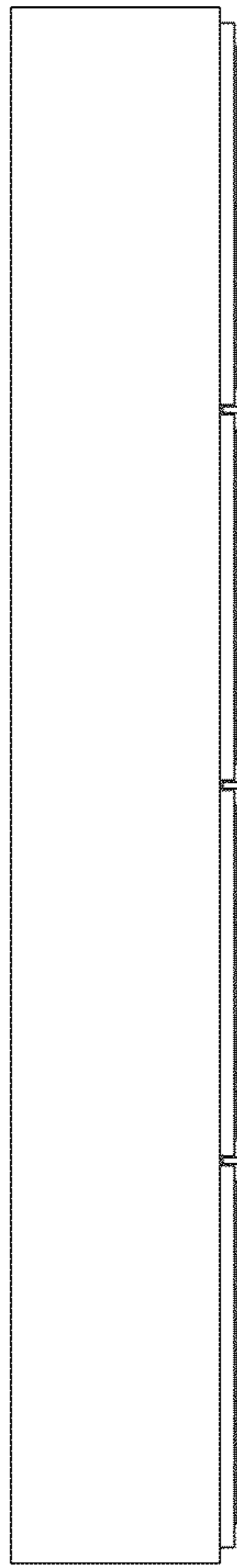


FIG.5

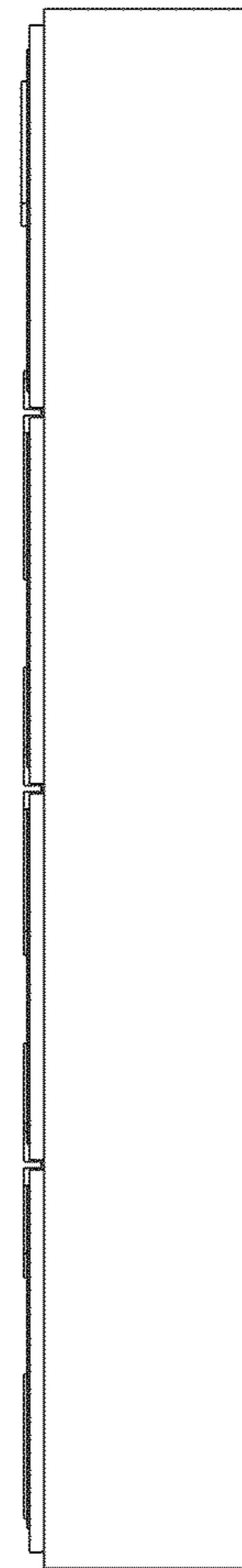


FIG.6

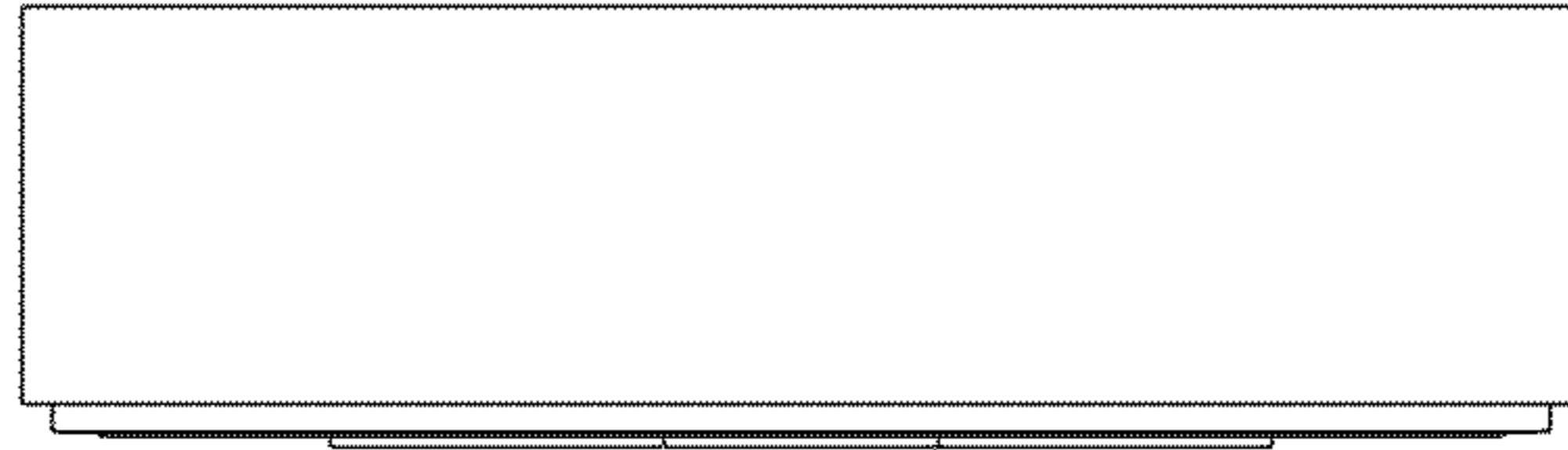


FIG. 7



FIG. 8

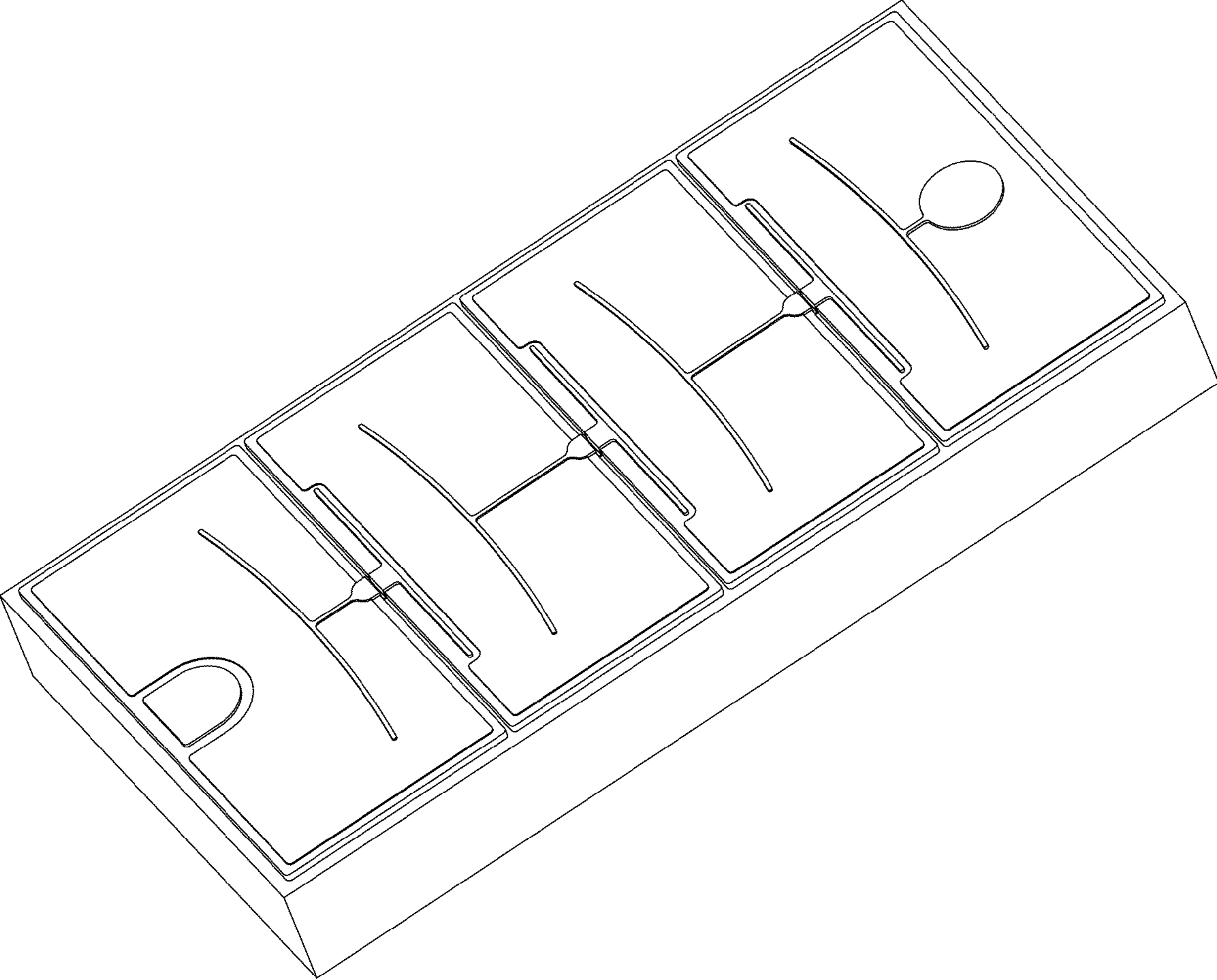


FIG.9

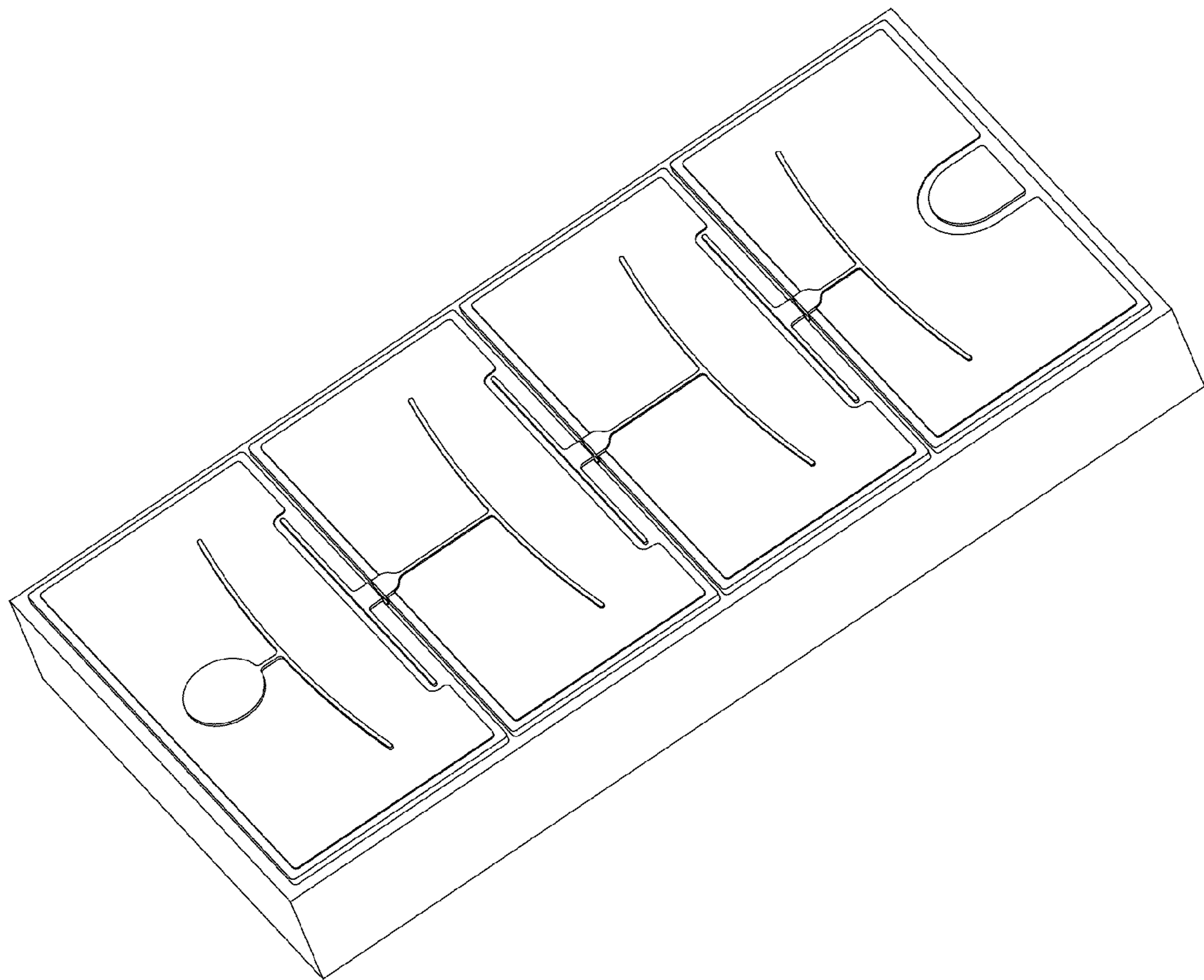


FIG.10

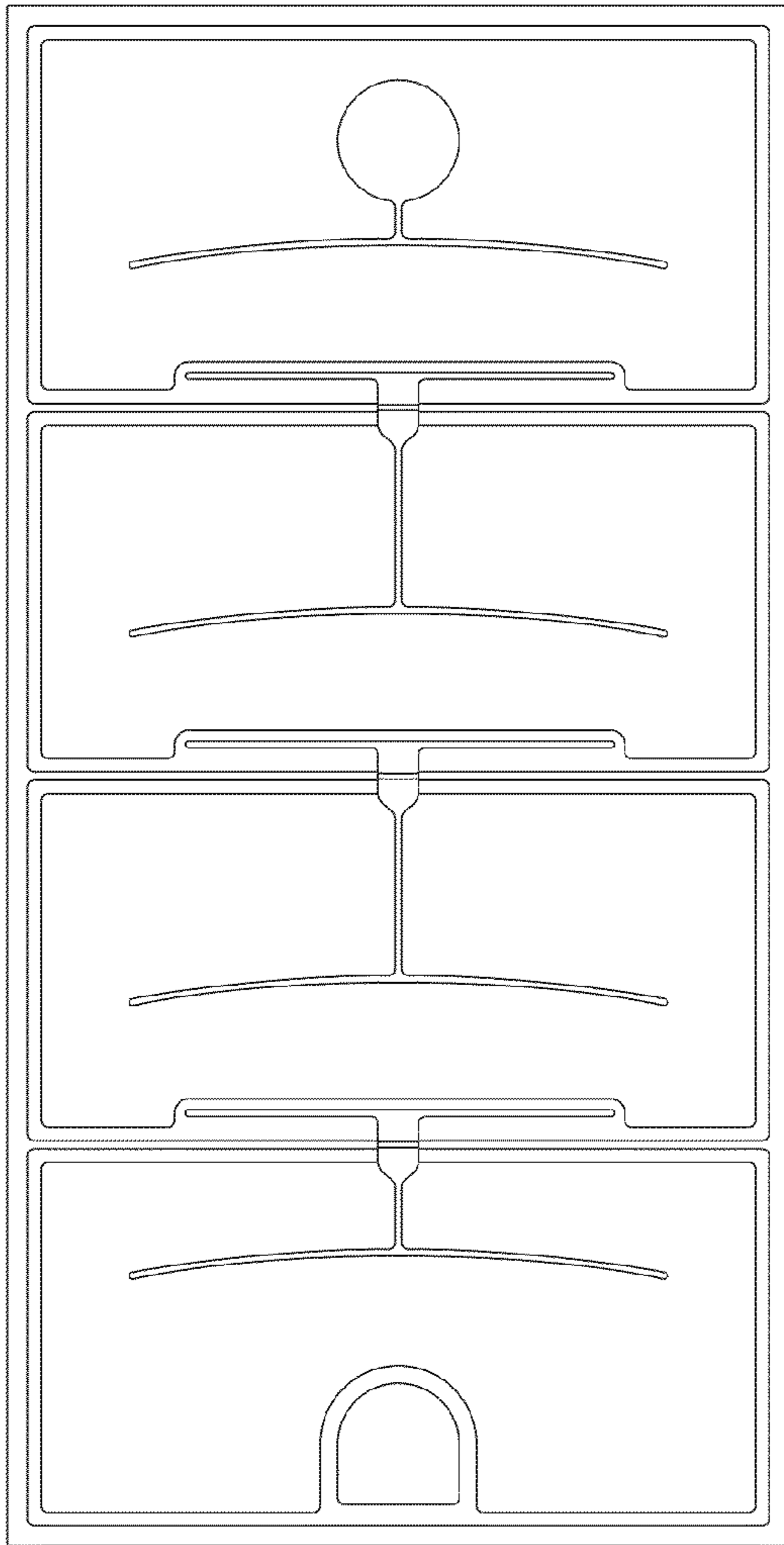


FIG. 11

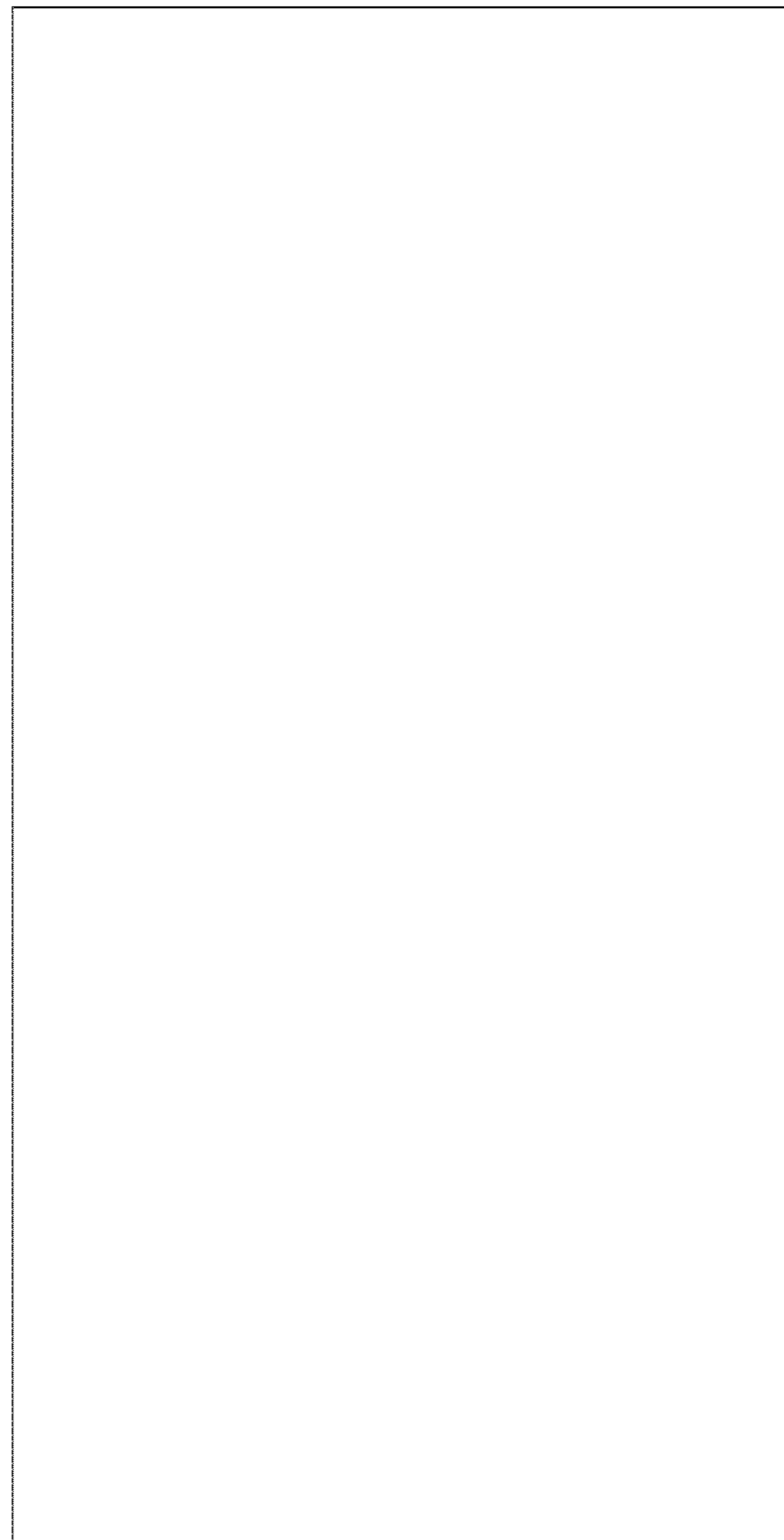


FIG. 12

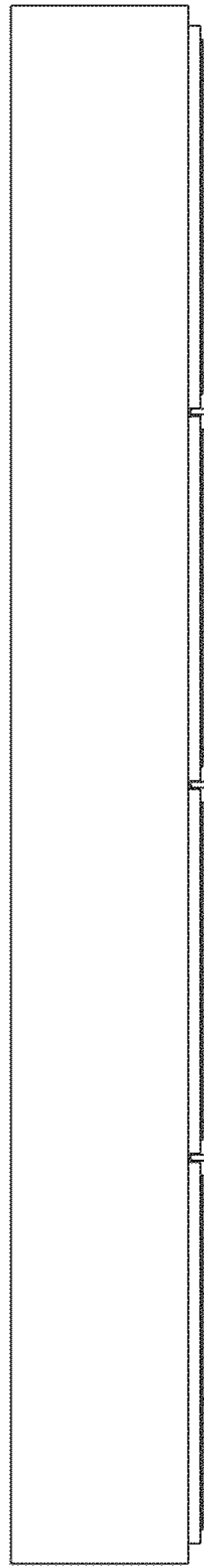


FIG. 13

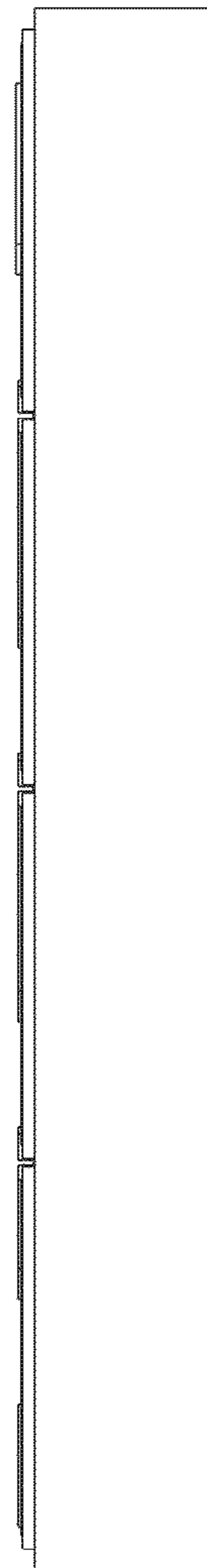


FIG. 14

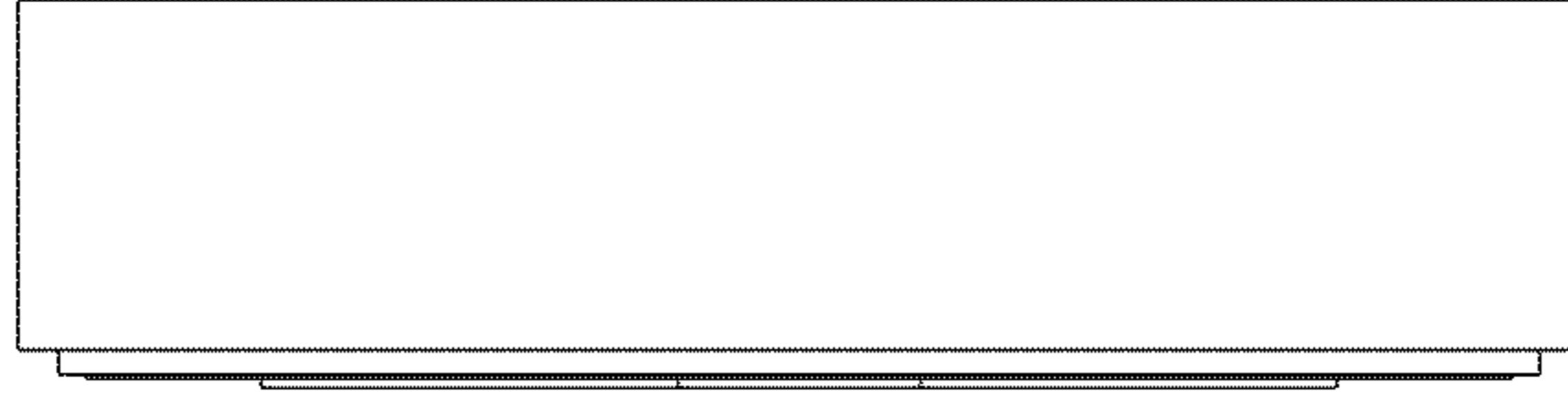


FIG.15



FIG.16

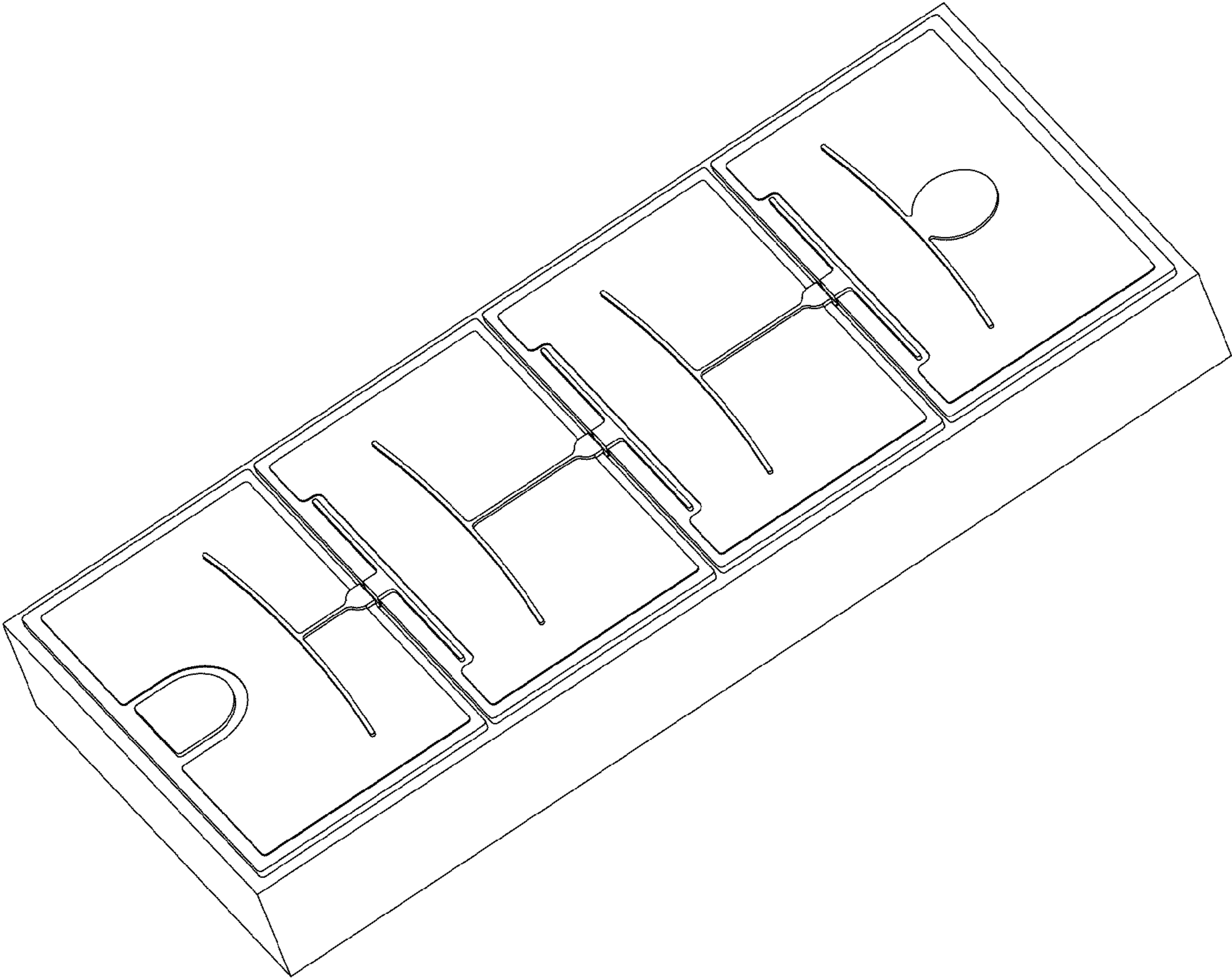


FIG.17

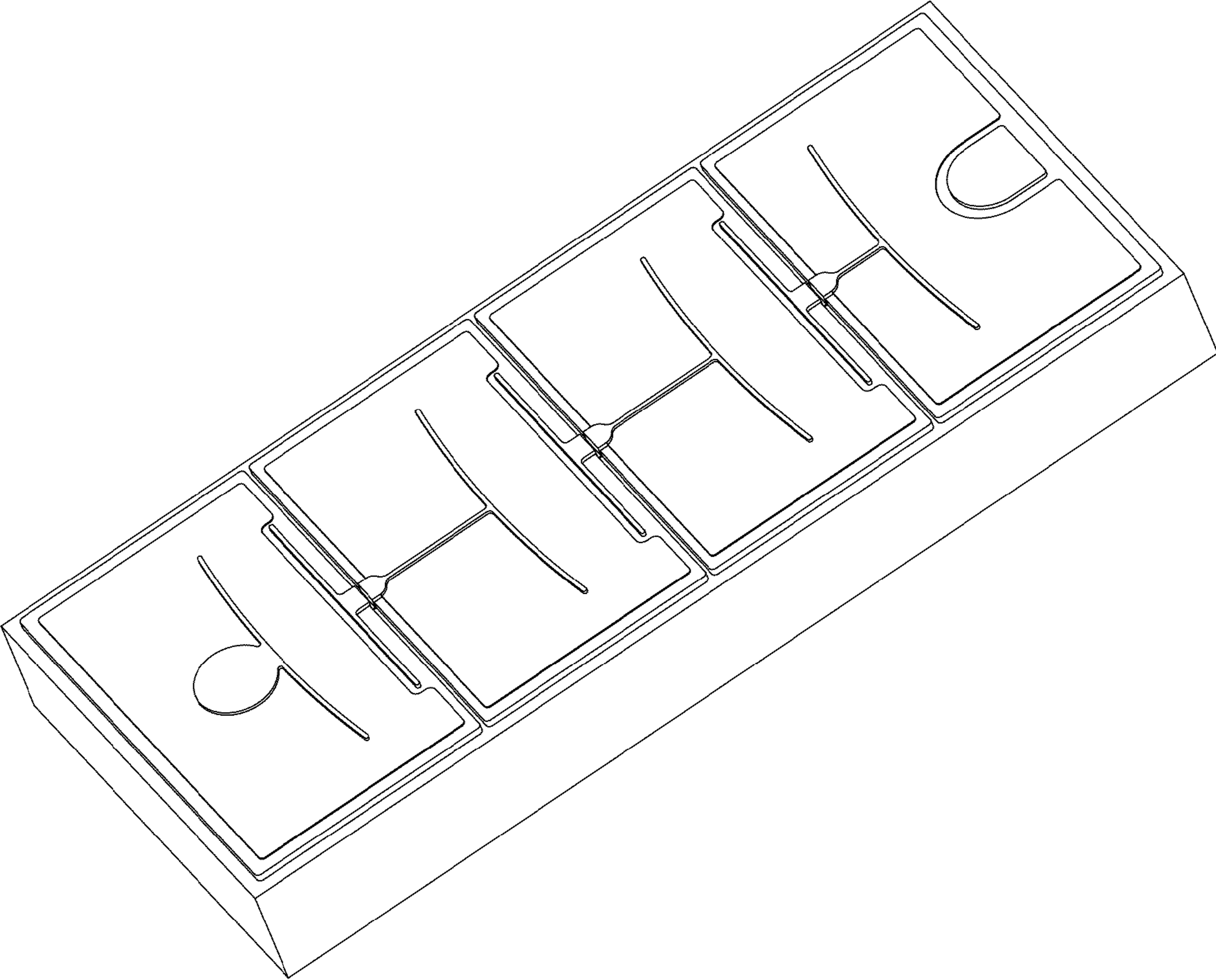


FIG.18

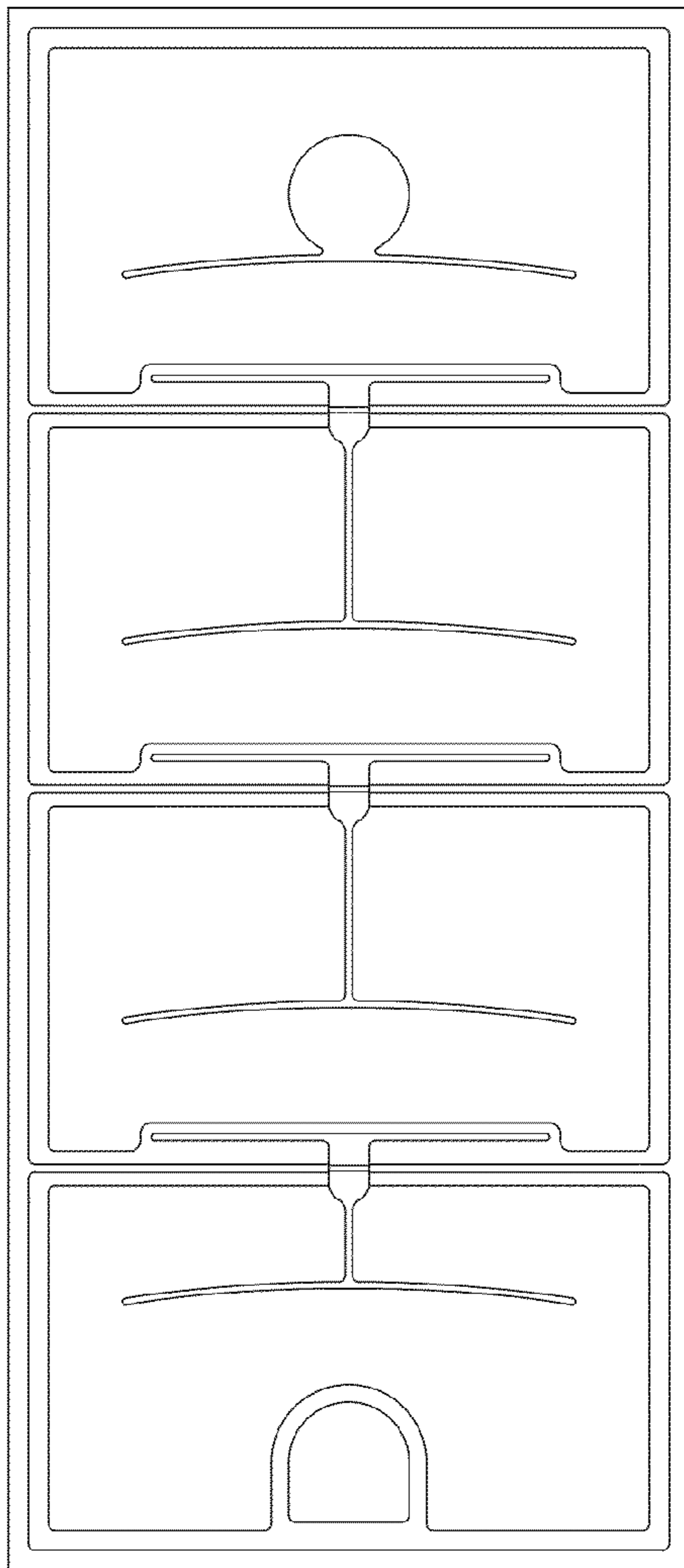


FIG.19

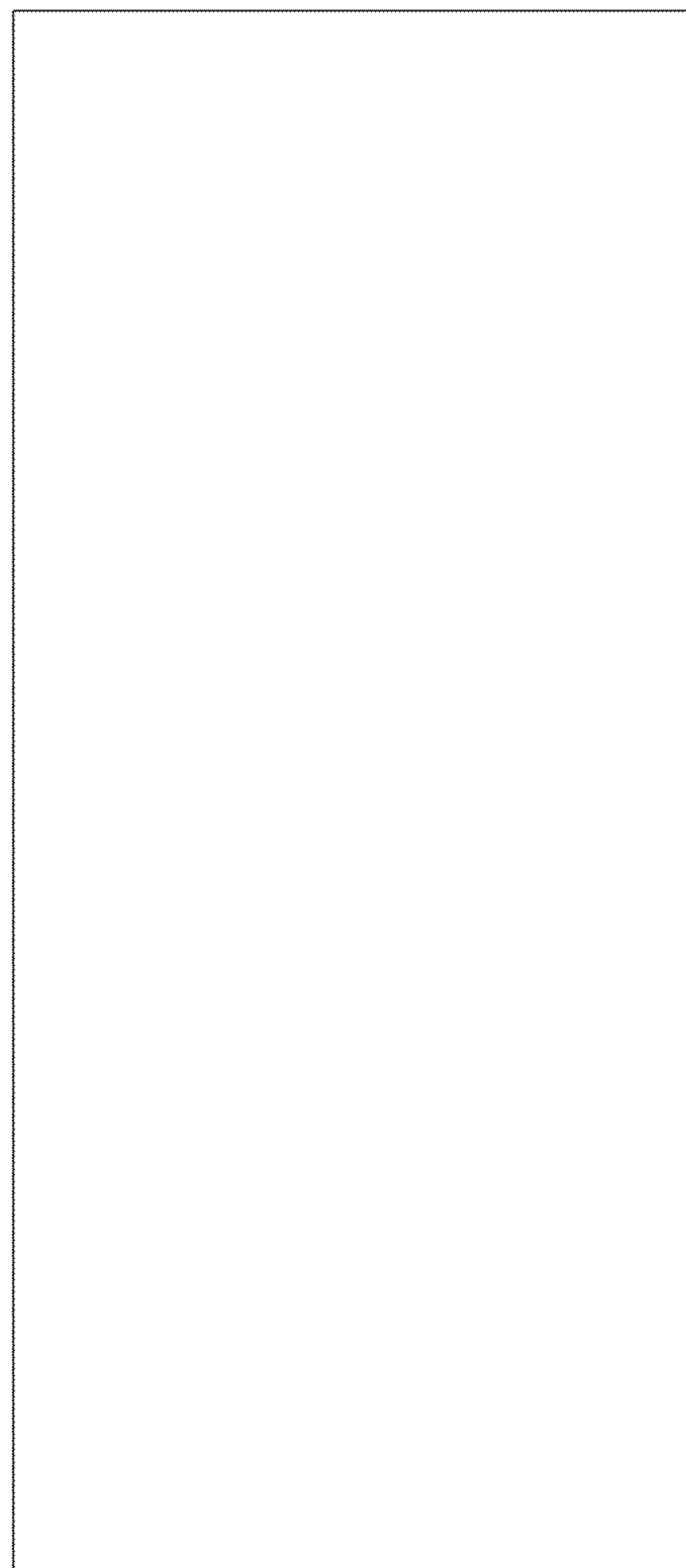


FIG.20

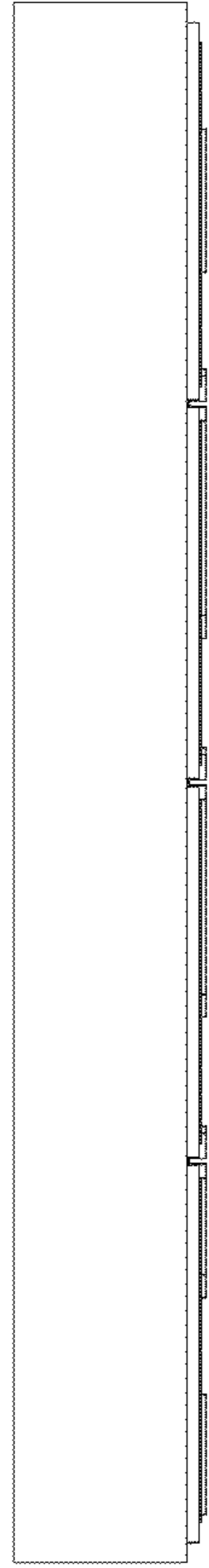


FIG. 21

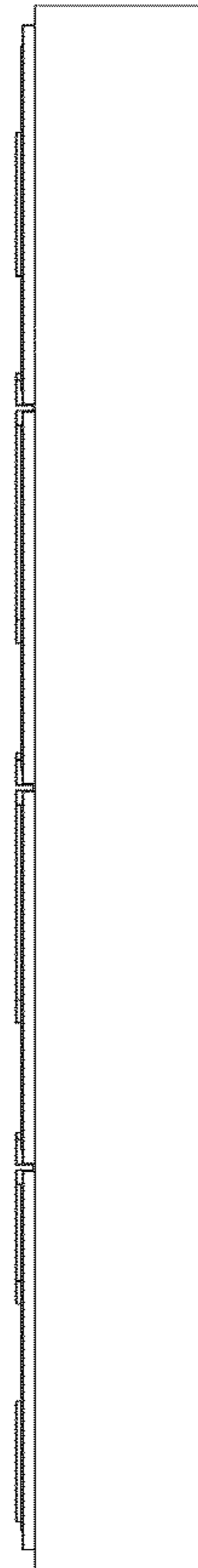


FIG. 22



FIG.23

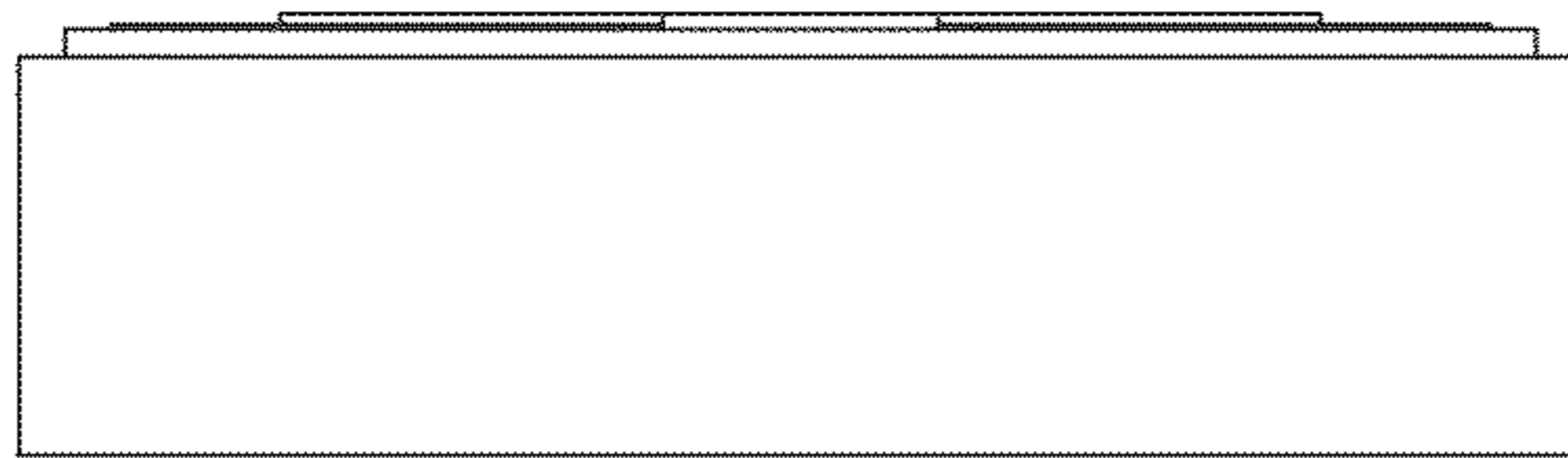


FIG.24