



US00D684549S

(12) **United States Design Patent**
Chu et al.

(10) **Patent No.:** **US D684,549 S**
(45) **Date of Patent:** **** Jun. 18, 2013**

(54) **LED CHIP**
(75) Inventors: **Chen-Fu Chu**, Miao-Li County (TW);
Chao-Chen Cheng, Miao-Li County (TW)
(73) Assignee: **Semileds Optoelectronics Co., Ltd.**,
Miao-Li County (TW)

D635,525 S * 4/2011 Edmond et al. D13/180
D647,493 S * 10/2011 Chang et al. D13/180
D647,494 S * 10/2011 Chang et al. D13/180
D647,495 S * 10/2011 Chang et al. D13/180
2003/0107053 A1 * 6/2003 Uemura et al. 257/200
2003/0230754 A1 * 12/2003 Steigerwald et al. 257/91
2006/0237735 A1 * 10/2006 Naulin et al. 257/98
2007/0085095 A1 * 4/2007 Ko et al. 257/94
2009/0283787 A1 * 11/2009 Donofrio et al. 257/98

(**) Term: **14 Years**

* cited by examiner

(21) Appl. No.: **29/419,107**

Primary Examiner — Selina Sikder

(22) Filed: **Apr. 25, 2012**
(Under 37 CFR 1.47)

(74) Attorney, Agent, or Firm — WPAT, PC; Justin King

(30) **Foreign Application Priority Data**

Oct. 28, 2011 (TW) 100305818

(51) **LOC (9) Cl.** **13-03**

(52) **U.S. Cl.**
USPC **D13/180**

(58) **Field of Classification Search**
USPC D13/180; D26/1; 257/79, 80, 81,
257/88, 89, 95, 98, 99, 100, E33.058; 313/483,
313/498, 500; 362/555, 800
See application file for complete search history.

(57) **CLAIM**
The ornamental design for a LED chip, as shown and described in the drawings.

DESCRIPTION

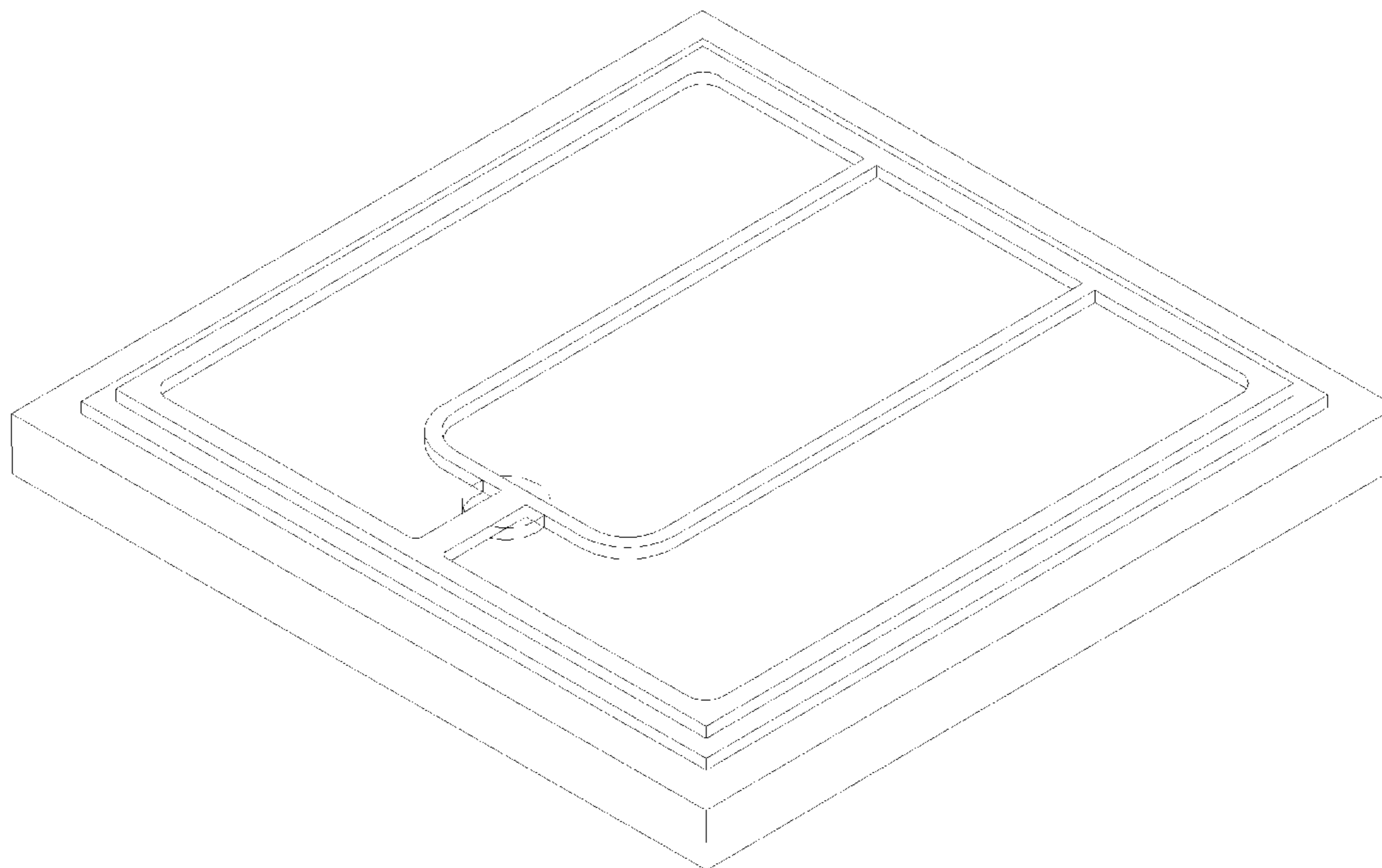
(56) **References Cited**

U.S. PATENT DOCUMENTS

6,547,249 B2 * 4/2003 Collins et al. 257/88
6,573,537 B1 * 6/2003 Steigerwald et al. 257/103
6,921,924 B2 * 7/2005 Tsai et al. 257/95
7,179,670 B2 * 2/2007 Shelton et al. 438/26
7,436,066 B2 * 10/2008 Sonobe et al. 257/767
D580,888 S * 11/2008 Liu D13/180
D593,968 S * 6/2009 Edmond et al. D13/180
D599,748 S * 9/2009 Liu D13/180
D606,949 S * 12/2009 Liu D13/180

FIG. 1 is a perspective view of a light emitting diode device showing my new design;
FIG. 2 is a top view thereof;
FIG. 3 is a front view thereof;
FIG. 4 is a back view thereof;
FIG. 5 is a left view thereof;
FIG. 6 is a right view thereof;
FIG. 7 is a cross-sectional view thereof, take along line 7-7 in FIG. 2;
FIG. 8 is a cross-sectional view thereof, take along line 8-8 in FIG. 2;
FIG. 9 is a right side view of thereof; the left side view is a mirror image of the right side view; and,
FIG. 10 is a front view of thereof; the backside view is a mirror image of the front side view.
It will be understood that the dash lines presented in the drawings are for illustration only, and do not form a part of the claimed design.

1 Claim, 8 Drawing Sheets



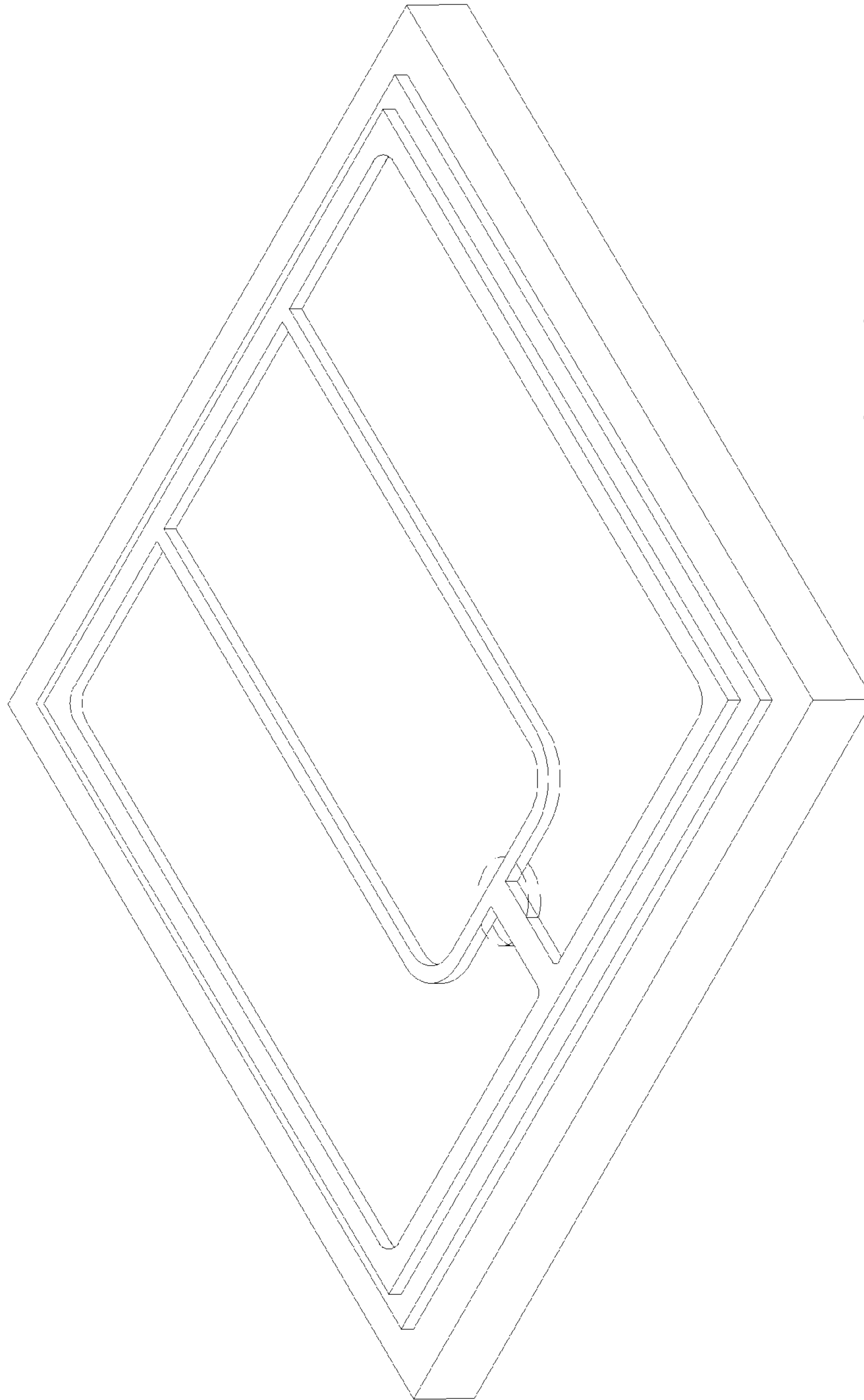


Fig. 1

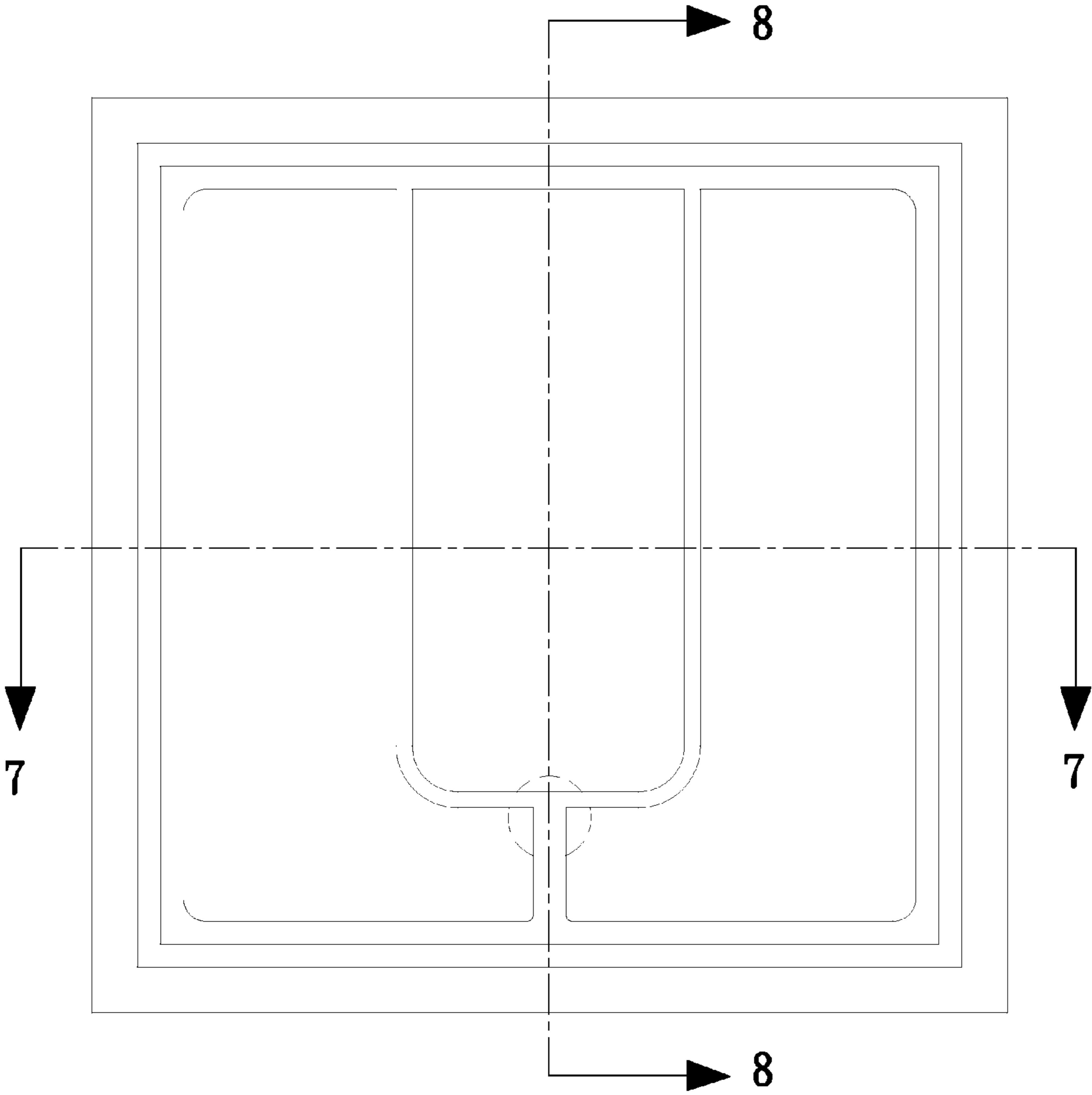


Fig. 2

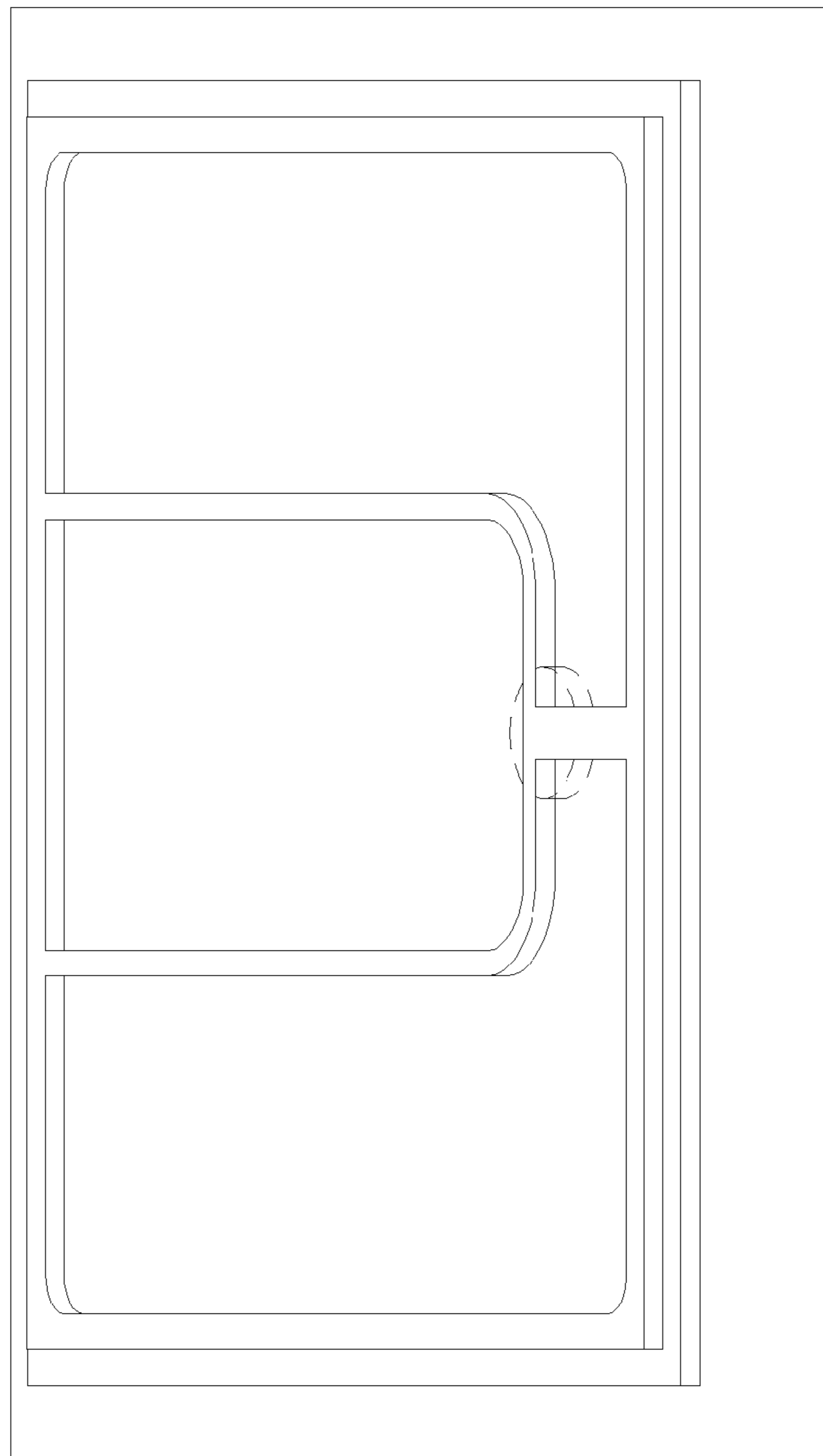


Fig. 3

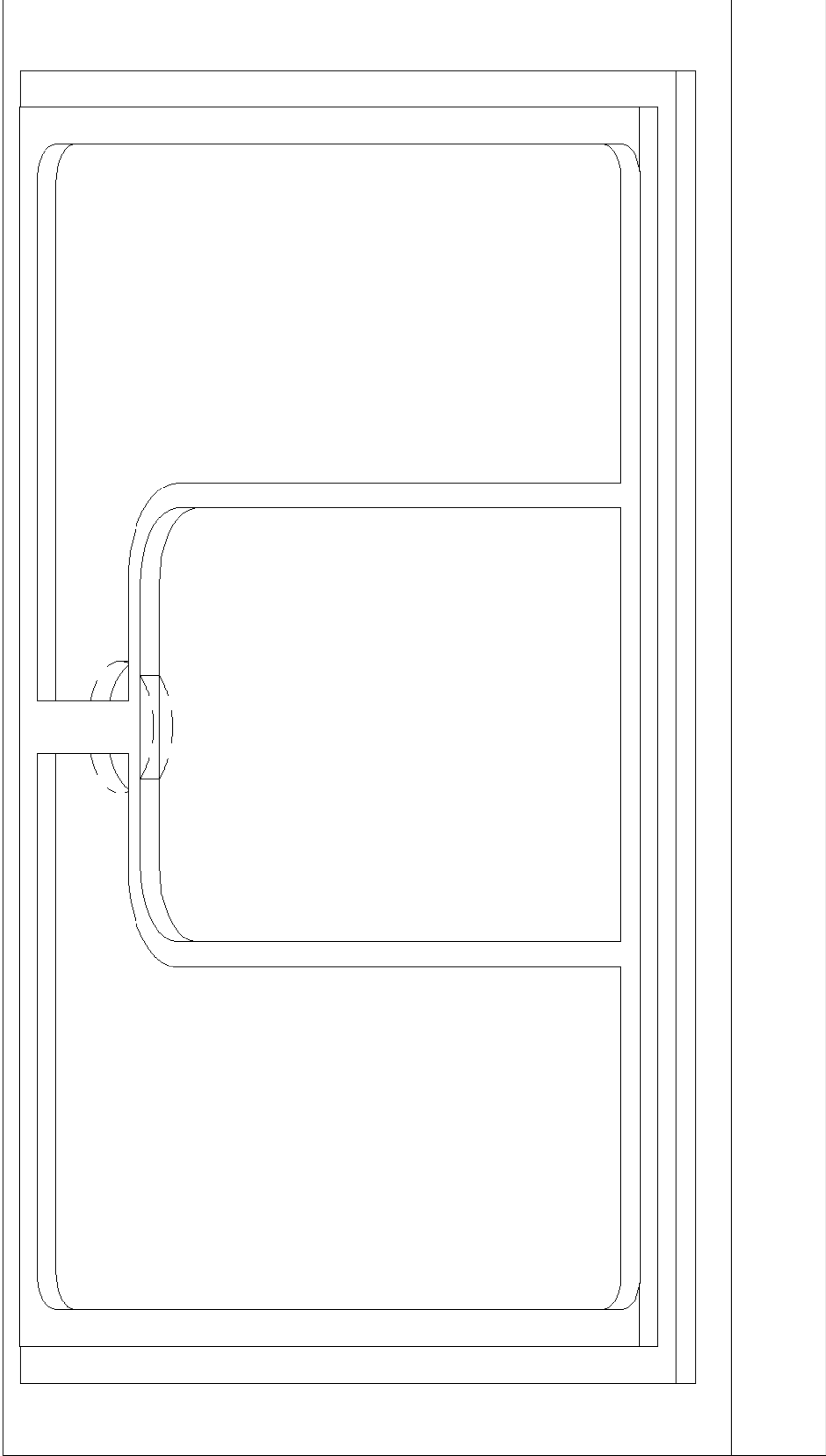


Fig. 4

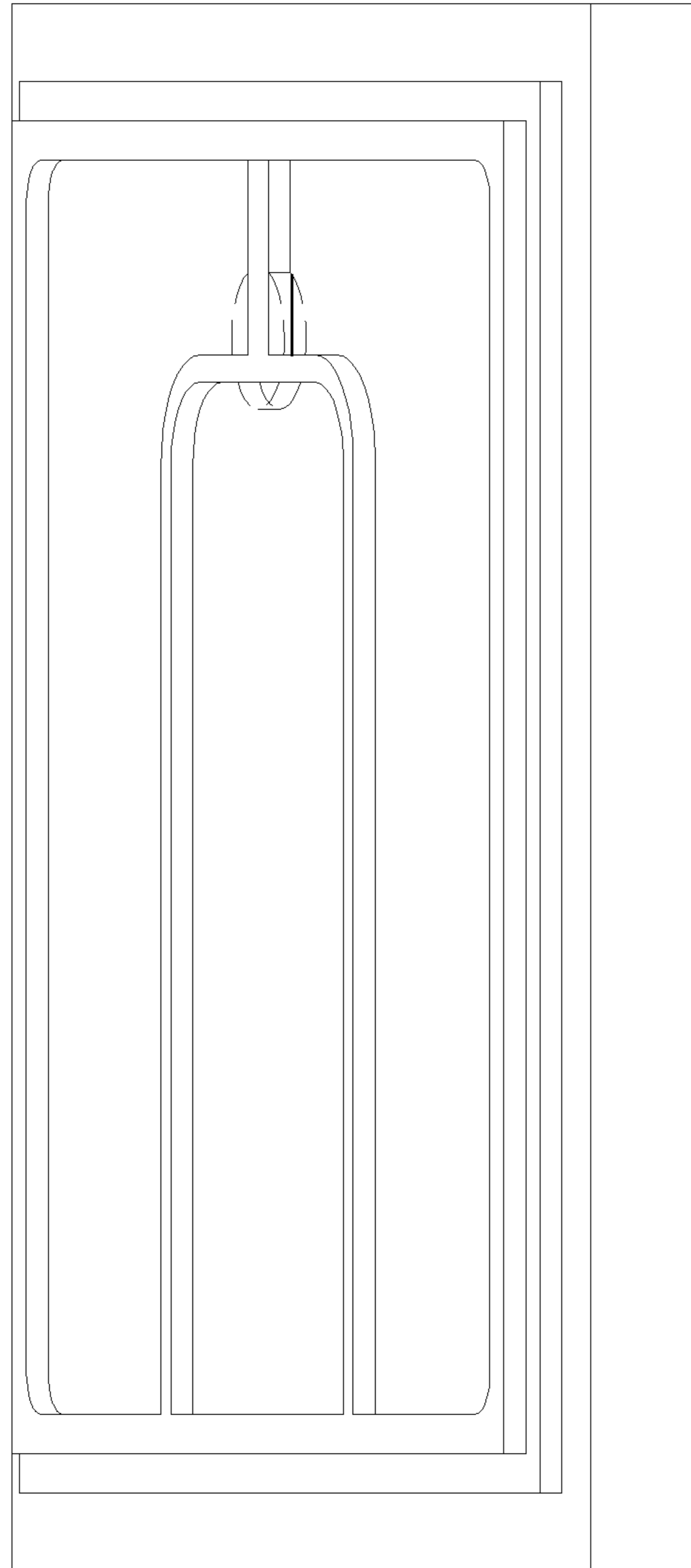


Fig. 5

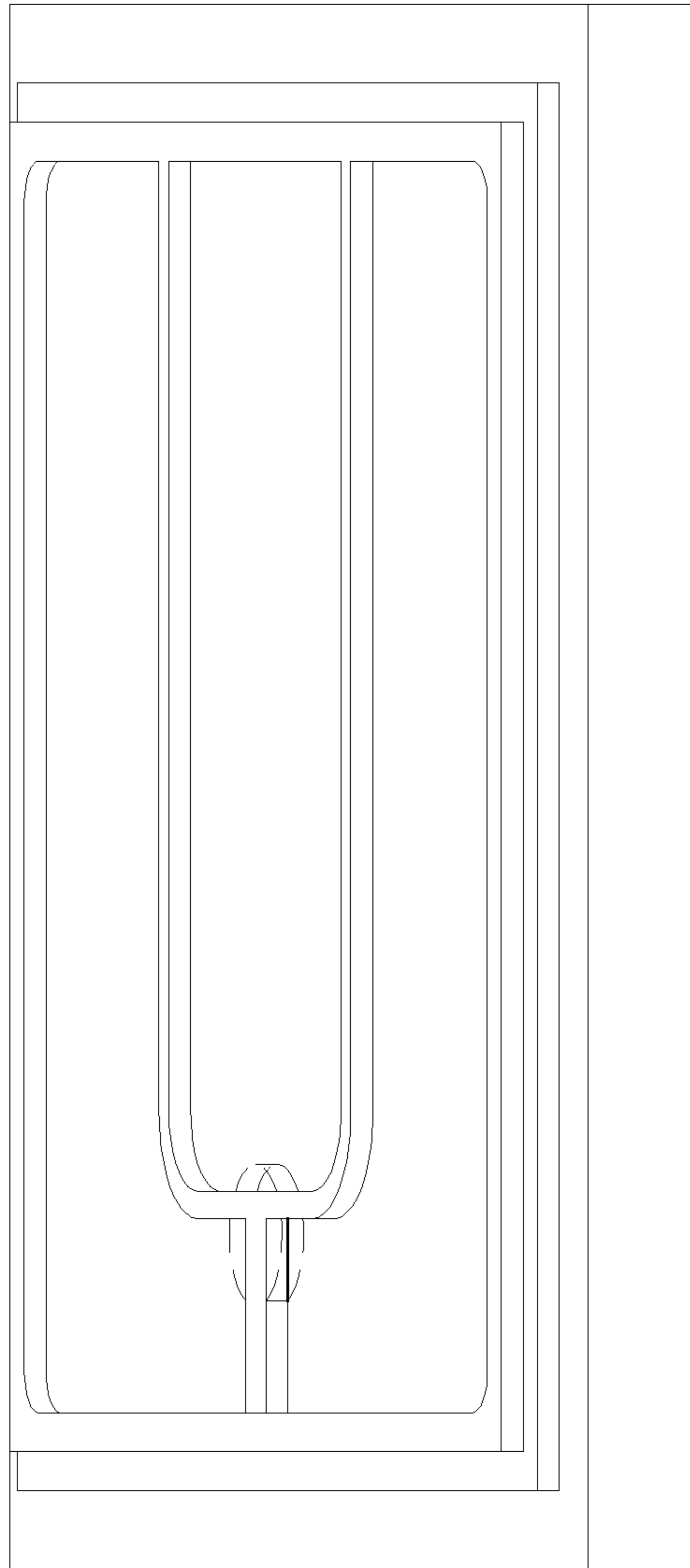


Fig. 6

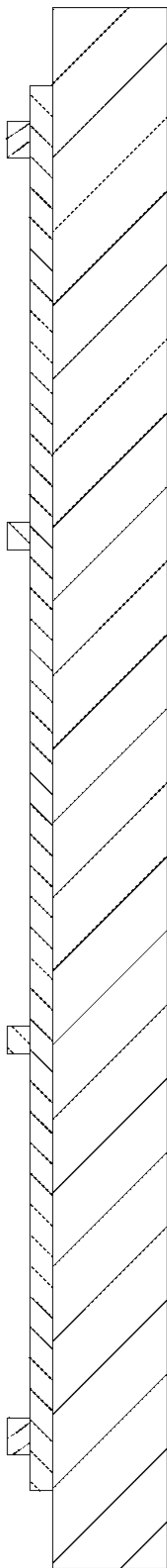


Fig. 7

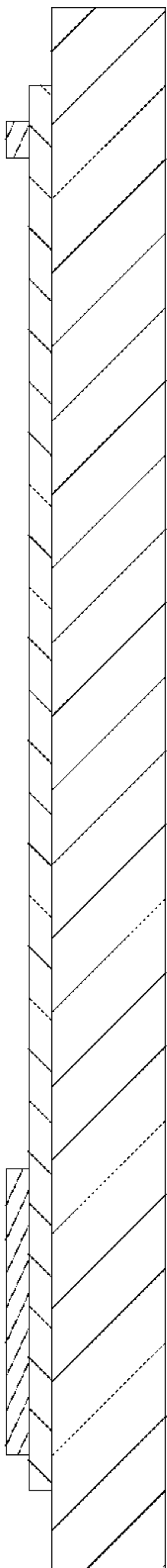


Fig. 8

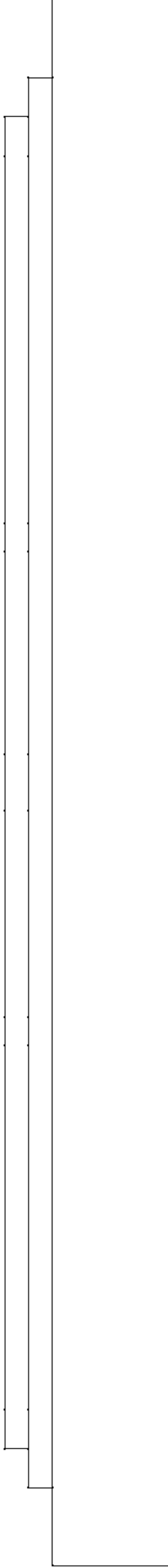


Fig. 9

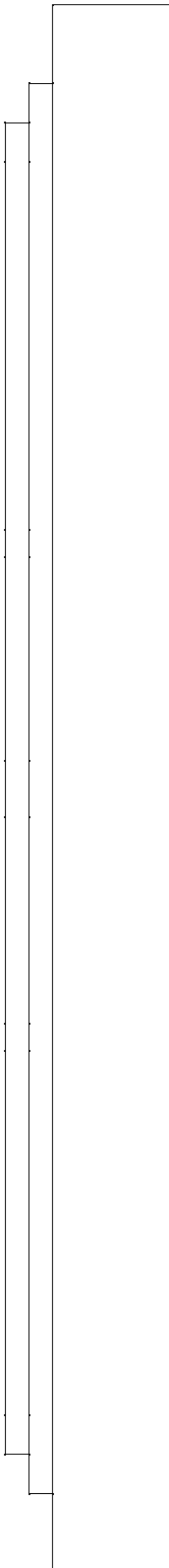


Fig. 10