



US00D684546S

(12) **United States Design Patent**
Kuzuoka

(10) **Patent No.:** **US D684,546 S**
(45) **Date of Patent:** **** Jun. 18, 2013**

(54) **ELECTROLUMINESCENCE MODULE**

(75) Inventor: **Yoshikazu Kuzuoka**, Moriguchi (JP)

(73) Assignee: **Panasonic Corporation**, Kadoma-shi (JP)

(**) Term: **14 Years**

(21) Appl. No.: **29/398,644**

(22) Filed: **Aug. 3, 2011**

(30) **Foreign Application Priority Data**

Feb. 4, 2011 (JP) 2011-002462

(51) **LOC (9) Cl.** **13-03**

(52) **U.S. Cl.**
USPC **D13/180**; D13/182

(58) **Field of Classification Search**
USPC D13/180, 182; 174/254; 257/40,
257/66, 72, 79; 313/483, 494, 504, 506, 512;
315/169.3; 345/76, 82; 445/25; 428/690;
438/99, 460; 427/66

See application file for complete search history.

(56) **References Cited**

U.S. PATENT DOCUMENTS

5,497,171	A *	3/1996	Teres et al.	345/43
5,646,705	A *	7/1997	Higuchi et al.	349/143
D416,442	S *	11/1999	Gilchrist	D7/409
D429,429	S *	8/2000	Murphy	D6/455
6,115,093	A *	9/2000	Murai et al.	349/129
D445,029	S *	7/2001	Niknafs	D9/456
D447,933	S *	9/2001	Kelleghan	D8/356
6,525,797	B2 *	2/2003	Tsuda et al.	349/139
6,573,965	B1 *	6/2003	Liu et al.	349/129
6,671,019	B1 *	12/2003	Petschek et al.	349/129
D485,294	S *	1/2004	Albert	D18/26
6,750,933	B1 *	6/2004	Yakovenko et al.	349/129
D495,247	S *	8/2004	Keberlein	D9/418
D497,171	S *	10/2004	Okugawa	D15/140

6,812,986	B2 *	11/2004	Takatori et al.	349/141
D555,608	S *	11/2007	Puolakanaho et al.	D18/26
D580,566	S *	11/2008	Mukai	D26/24
7,583,345	B2 *	9/2009	Song et al.	349/129
7,891,840	B1 *	2/2011	Kang et al.	362/249.02
7,926,657	B1 *	4/2011	Dougan	206/459.5
D637,165	S *	5/2011	Kuzuoka	D13/180
D637,166	S *	5/2011	Kuzuoka	D13/180
D638,379	S *	5/2011	Kuzuoka	D13/180
D638,380	S *	5/2011	Kuzuoka	D13/180
D638,381	S *	5/2011	Kuzuoka	D13/180
D638,382	S *	5/2011	Kuzuoka	D13/180
D638,383	S *	5/2011	Kuzuoka	D13/180
D643,820	S *	8/2011	Kuzuoka	D13/180
8,059,247	B2 *	11/2011	Stromer et al.	349/144

(Continued)

Primary Examiner — Selina Sikder

(74) *Attorney, Agent, or Firm* — Marvin A. Motsenbocker; Mots Law, PLLC

(57) **CLAIM**

The ornamental design for an electroluminescence module, as shown and described.

DESCRIPTION

FIG. 1 is a front perspective view of an electroluminescence module;

FIG. 2 is a front view thereof;

FIG. 3 is a right side view thereof;

FIG. 4 is a plan view thereof;

FIG. 5 is a rear view thereof; and,

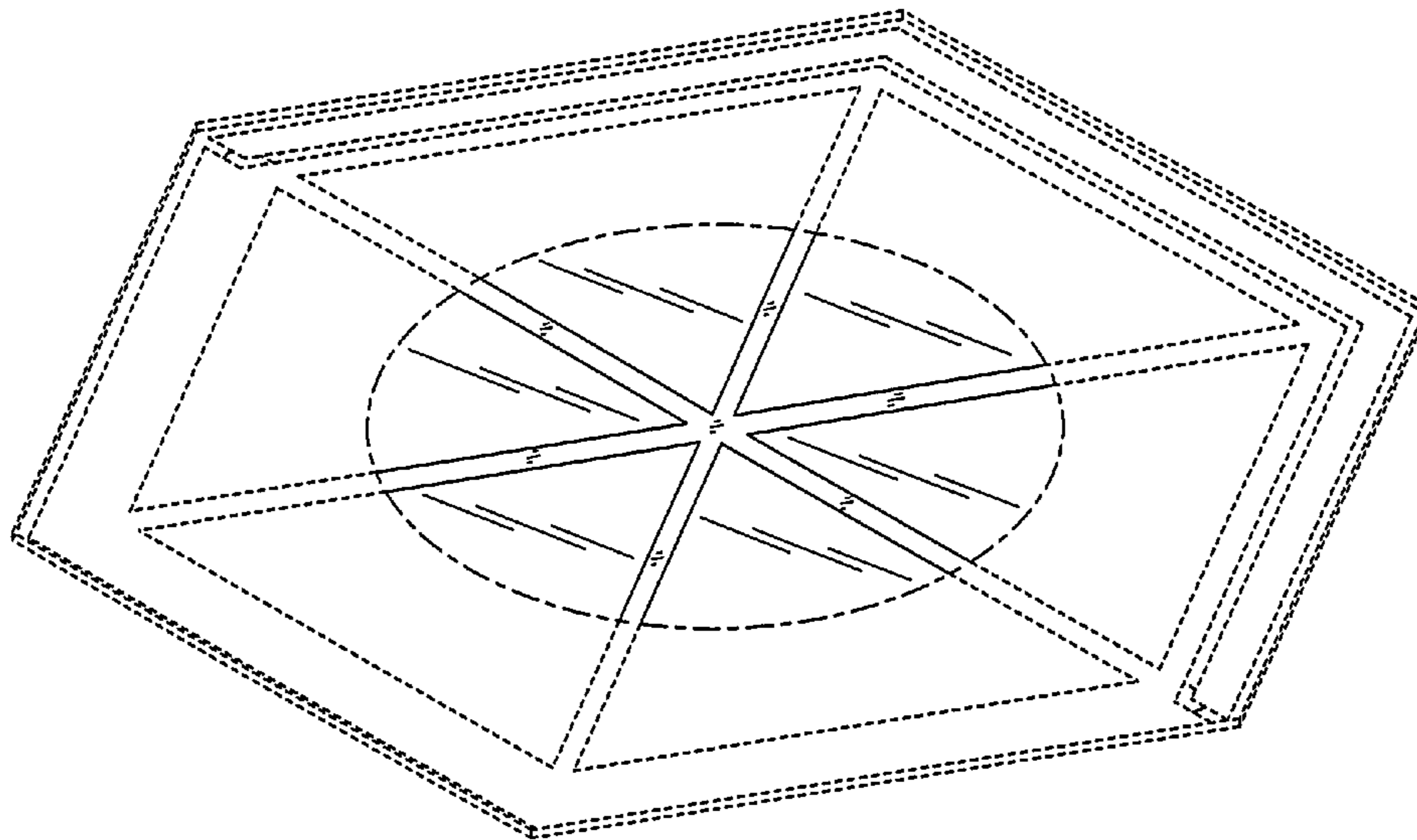
FIG. 6 is a bottom plan view thereof.

The portions of the article in broken lines are shown for illustrative purposes only and form no part of the claimed design.

The long dash short dash line forms the boundary of the claimed design and forms no part of the claimed design.

A left side view of the electroluminescence module is a mirror image of the right side view shown in FIG. 3, and therefore omitted.

1 Claim, 6 Drawing Sheets



US D684,546 S

Page 2

U.S. PATENT DOCUMENTS

D664,506 S *	7/2012	Kuzuoka	D13/180	8,357,607 B2 *	1/2013	Oya et al.	438/605
D664,507 S *	7/2012	Kuzuoka	D13/180	8,358,064 B2 *	1/2013	Seaman	313/507
D664,508 S *	7/2012	Kuzuoka	D13/180	2005/0041188 A1 *	2/2005	Yamazaki	349/146
D664,937 S *	8/2012	Kuzuoka	D13/180	2009/0187234 A1 *	7/2009	Meyer et al.	607/88
8,348,432 B2 *	1/2013	Miyazaki	353/31	2011/0079795 A1 *	4/2011	Nagai	257/77

* cited by examiner

Fig. 1

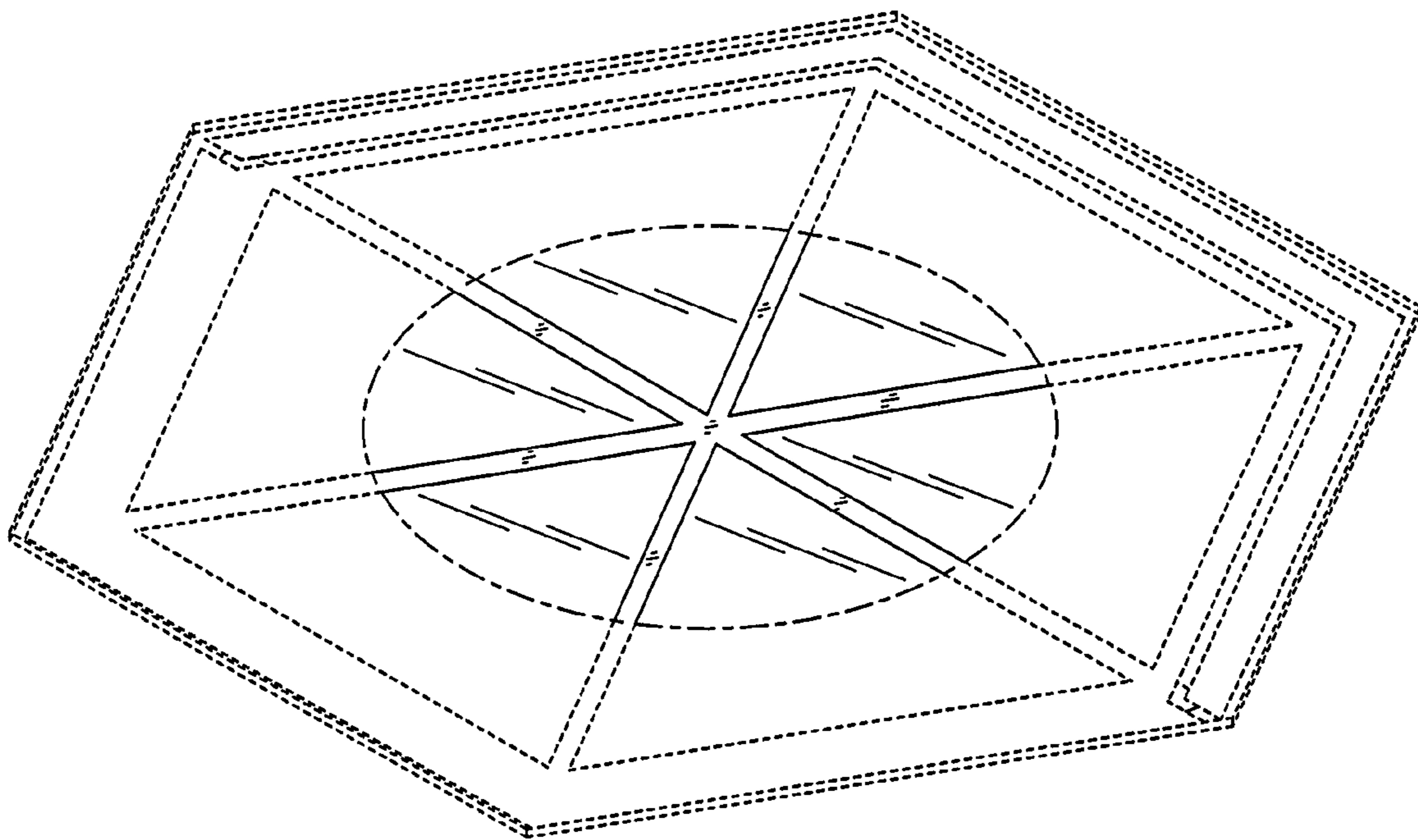


Fig.2

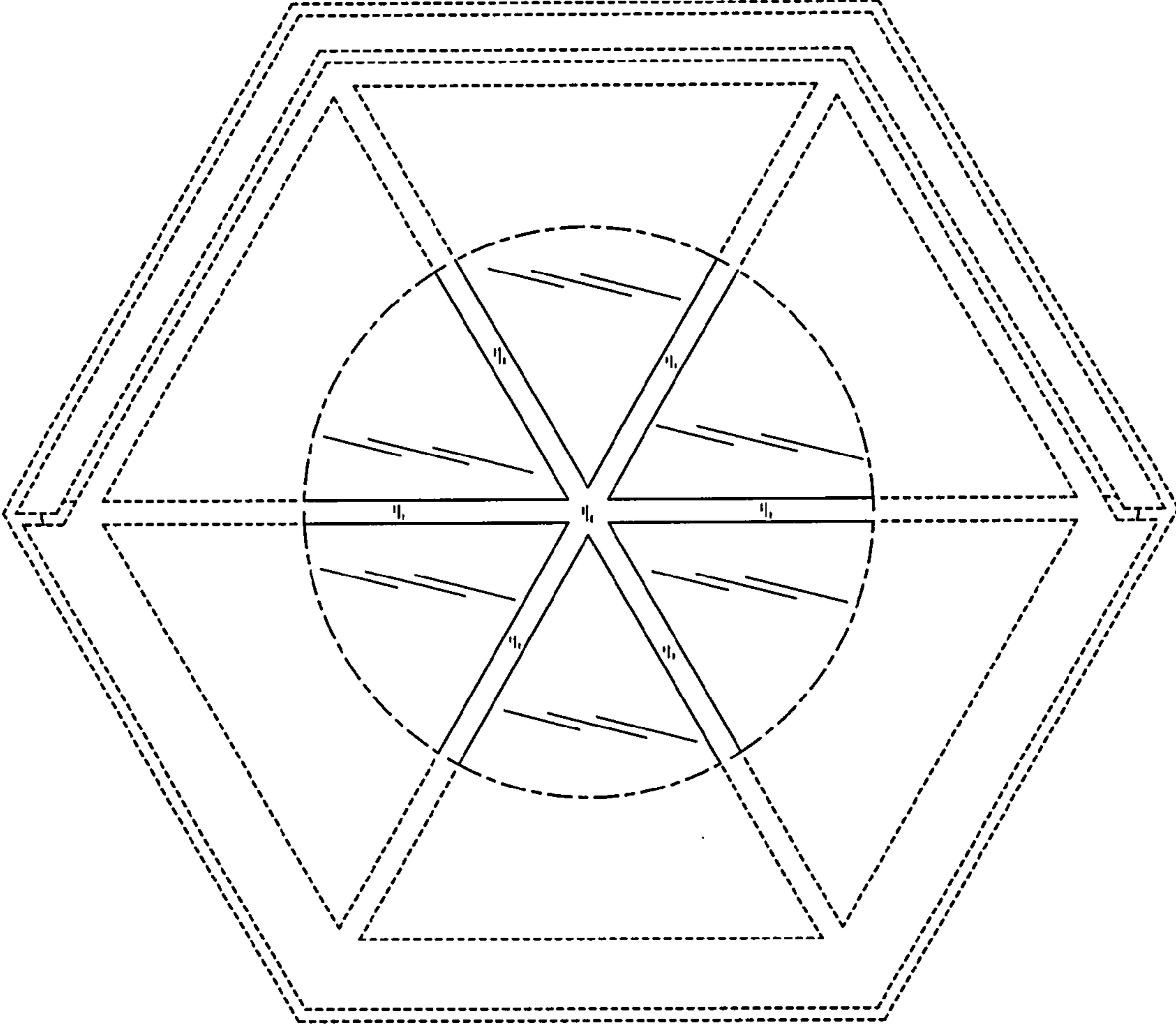


Fig.3



Fig.4

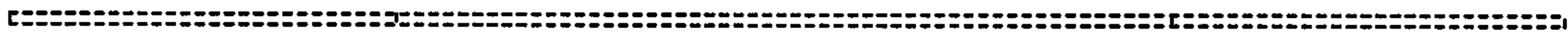


Fig.5

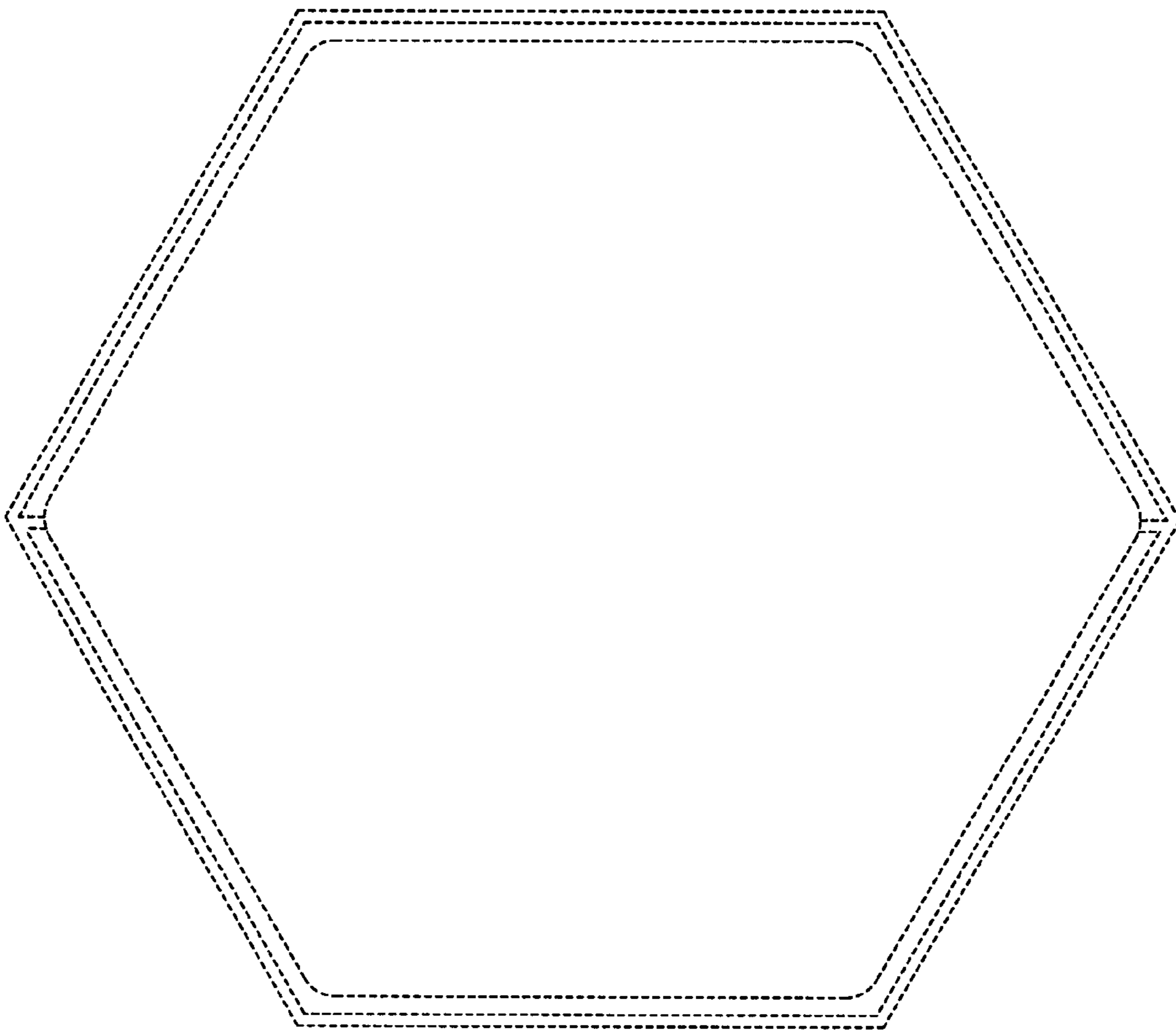


Fig.6

