



US00D684539S

(12) **United States Design Patent**
Akana et al.

(10) **Patent No.:** **US D684,539 S**
(45) **Date of Patent:** **** Jun. 18, 2013**

(54) **CONNECTOR**

(75) Inventors: **Jody Akana**, San Francisco, CA (US);
Bartley K. Andre, Menlo Park, CA (US); **Jeremy Bataillou**, San Francisco, CA (US); **Daniel J. Coster**, San Francisco, CA (US); **Daniele De Iuliis**, San Francisco, CA (US); **M. Evans Hankey**, San Francisco, CA (US); **Julian Hoenig**, San Francisco, CA (US); **Richard P. Howarth**, San Francisco, CA (US); **Jonathan P. Ive**, San Francisco, CA (US); **Duncan Robert Kerr**, San Francisco, CA (US); **Shin Nishibori**, Kailua, HI (US); **Matthew Dean Rohrbach**, San Francisco, CA (US); **Peter Russell-Clarke**, San Francisco, CA (US); **Christopher J. Stringer**, Woodside, CA (US); **Eugene Antony Whang**, San Francisco, CA (US); **Rico Zorkendorfer**, San Francisco, CA (US)

(73) Assignee: **Apple Inc.**, Cupertino, CA (US)

(**) Term: **14 Years**

(21) Appl. No.: **29/426,587**

(22) Filed: **Jul. 6, 2012**

(51) **LOC (9) Cl.** **13-03**

(52) **U.S. Cl.**
USPC **D13/147**

(58) **Field of Classification Search**
USPC D13/133, 147, 154, 184, 199; D14/432, D14/433, 435, 435.1, 436, 437, 438; 345/156; 361/58, 814; 439/66, 74, 77, 79, 188, 344-346, 439/350-353, 357-358, 374, 497, 607.01, 439/607.02, 607.03, 607.04, 607.45, 607.49, 439/607.58, 660, 668, 680, 865-866, 868, 439/887, 874, 883, 892, 894

See application file for complete search history.

(56) **References Cited**

U.S. PATENT DOCUMENTS

D304,028 S * 10/1989 Matsuzaki D13/147
D369,157 S 4/1996 Ohmori et al.

(Continued)

FOREIGN PATENT DOCUMENTS

WO WO 2006/074348 A1 7/2006
WO WO 2011/150403 A1 12/2011

(Continued)

OTHER PUBLICATIONS

Co-Pending U.S. Appl. No. 29/441,757, Akana et al., "USB Device," filed Jan. 9, 2013 (Not Published).

(Continued)

Primary Examiner — Daniel Bui

(74) *Attorney, Agent, or Firm* — Sterne, Kessler, Goldstein & Fox PLLC

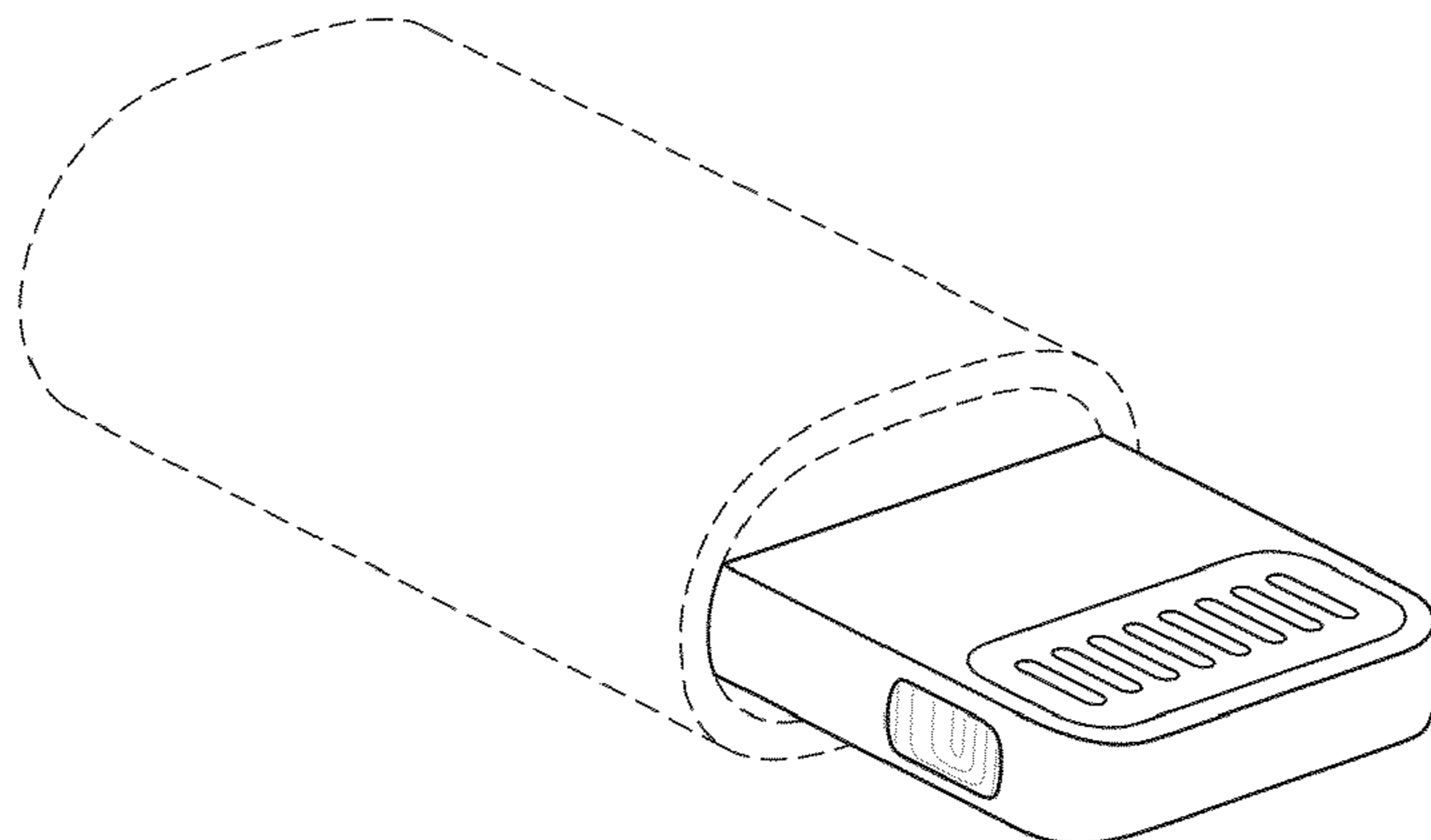
(57) **CLAIM**

The ornamental design for a connector, as shown and described.

DESCRIPTION

FIG. 1 is a top front perspective view of a connector showing our new design;
FIG. 2 is a bottom rear perspective view thereof;
FIG. 3 is a top view thereof;
FIG. 4 is a bottom view thereof;
FIG. 5 is a side view thereof;
FIG. 6 is another side view thereof;
FIG. 7 is a front view thereof; and,
FIG. 8 is a rear view thereof.
The broken lines in the figures show portions of the connector which form no part of the claimed design.
The shade lines in the figures show contour and not surface ornamentation.

1 Claim, 7 Drawing Sheets



U.S. PATENT DOCUMENTS

D399,047	S *	10/1998	Yoshida et al.	D13/147
6,137,710	A	10/2000	Iwasaki et al.		
D452,245	S	12/2001	Wallace et al.		
D452,246	S	12/2001	Wallace et al.		
6,483,038	B2	11/2002	Lee et al.		
D487,747	S	3/2004	Yu et al.		
D525,977	S *	8/2006	Yao	D14/436
7,094,089	B2	8/2006	Andre et al.		
D552,099	S	10/2007	Nishizawa et al.		
D594,418	S *	6/2009	Fujino et al.	D13/147
D607,886	S	1/2010	Bolotin et al.		
D621,785	S *	8/2010	Nickol	D13/147
D637,193	S	5/2011	Andre et al.		
D643,040	S	8/2011	Sedio et al.		
D655,296	S	3/2012	Andre et al.		
D656,147	S *	3/2012	Schlossstein	D14/480.6
D658,665	S *	5/2012	Akana et al.	D14/480.1
D659,150	S *	5/2012	Andre	D14/480.7
D665,754	S *	8/2012	Cobbett et al.	D13/147
2002/0170972	A1	11/2002	Kim		
2005/0202727	A1	9/2005	Andre et al.		
2011/0199729	A1 *	8/2011	Hsieh	361/679.33
2012/0252256	A1 *	10/2012	Zhu et al.	439/357

FOREIGN PATENT DOCUMENTS

WO	WO 2011/160138	A2	12/2011
WO	WO 2011/163256	A1	12/2011
WO	WO 2011/163260	A1	12/2011
WO	WO 2012/103383	A2	8/2012

OTHER PUBLICATIONS

U.S. Appl. No. 13/250,920, Siahaan et al., "Connector with Multi-Layer NI Underplated Contacts," filed Sep. 30, 2011.

U.S. Appl. No. 13/346,260, Jol et al., "Hotbar Device and Methods for Assembling Electrical Contacts to Ensure Co-Planarity," filed Jan. 9, 2012.

U.S. Appl. No. 61/668,074, Terlizzi et al., "Techniques for Monitoring Contacts in a Connector," filed Jul. 5, 2012.

U.S. Appl. No. 61/693,228, Weber et al., "Self-Lubricating Retention Mechanism," filed Aug. 24, 2012.

U.S. Appl. No. 61/693,232, Weber et al., "Retention Mechanism Having Improved Fatigue Strength," filed Aug. 24, 2012.

U.S. Appl. No. 61/698,476, Zadesky et al., "Context Aware Functionality in a Portable Electronic Device," filed Sep. 7, 2012.

U.S. Appl. No. 61/698,538, Soohod et al., "Plug Connector," filed Sep. 7, 2012.

U.S. Appl. No. 13/607,366, Golko et al., "Dual Orientation Electronic Connector," filed Sep. 7, 2012.

U.S. Appl. No. 13/607,404, Mullins et al., "Techniques for Detecting Removal of a Connector," filed Sep. 7, 2012.

U.S. Appl. No. 13/607,426, Mullins et al., "Data Structures for Facilitating Communication Between a Host and an Accessory," filed Sep. 7, 2012.

U.S. Appl. No. 13/607,430, Sarwar et al., "Audio/Video Connector for an Electronic Device," filed Sep. 7, 2012.

U.S. Appl. No. 13/607,443, Fritchman et al., "Connector Adapter," filed Sep. 7, 2012.

U.S. Appl. No. 13/607,446, Terlizzi et al., "Cascading Power for Accessories," filed Sep. 7, 2012.

U.S. Appl. No. 13/607,454, Andrews et al., "Accessory Booting Over USB," filed Sep. 7, 2012.

U.S. Appl. No. 13/607,462, Golko et al., "Connector Architecture and Insertion Profile," filed Sep. 7, 2012.

U.S. Appl. No. 13/607,473, Mullins et al., "Methods, Systems and Apparatus for Determining Whether an Accessory Includes Particular Circuitry," filed Sep. 7, 2012.

U.S. Appl. No. 13/607,478, Mullins et al., "Methods, Systems and Apparatus for Enabling an Accessory for Use with a Host Device," filed Sep. 7, 2012.

U.S. Appl. No. 13/607,497, Weber et al., "Retention Mechanism Device," filed Sep. 7, 2012.

U.S. Appl. No. 13/607,502, Weber et al., "Underfill Applicator Device and Methods for Assembling Electrical Contacts," filed Sep. 7, 2012.

U.S. Appl. No. 13/607,519, Terlizzi et al., "Adapter for Electronic Devices," filed Sep. 7, 2012.

U.S. Appl. No. 13/607,528, Ardisana, II et al., "Reinforcing Bars in I/O Connectors," filed Sep. 7, 2012.

U.S. Appl. No. 13/607,550, Terlizzi et al., "Techniques for Configuring Contacts of a Connector," filed Sep. 7, 2012.

U.S. Appl. No. 13/607,553, Rich et al., "Adapter for User With a Portable Electronic Device," filed Sep. 7, 2012.

U.S. Appl. No. 13/607,554, Golko et al., "Insert-Molded Connector Contacts," filed Sep. 7, 2012.

U.S. Appl. No. 13/607,563, Golembeski et al., "Multi-Mode Adapter," filed Sep. 7, 2012.

U.S. Appl. No. 13/607,566, Golko et al., "Plug Connector Modules," filed Sep. 7, 2012.

U.S. Appl. No. 13/607,598, Colahan et al., "Compliant Mount for Connector," filed Sep. 7, 2012.

U.S. Appl. No. 13/607,600, Weber et al., "Retention Mechanism Having Improved Fatigue Strength," filed Sep. 7, 2012.

International Patent Application No. PCT/US12/54318, Apple Inc., "Connectors for Electronic Devices," filed Sep. 7, 2012.

U.S. Appl. No. 61/699,818, Uttermann et al., "Connector Trim," filed Sep. 11, 2012.

U.S. Appl. No. 61/699,838, Webb et al., "Dock Connector With Compliance Mechanism," filed Sep. 11, 2012.

U.S. Appl. No. 13/610,326, Siahaan et al., "Assembly of a Cable," filed Sep. 11, 2012.

U.S. Appl. No. 13/610,631, Schmidt et al., "Connectors and Methods for Manufacturing Connectors," filed Sep. 11, 2012.

U.S. Appl. No. 13/610,750, Webb et al., "Single-Piece Shield Can," filed Sep. 11, 2012.

U.S. Appl. No. 13/610,832, Webb et al., "Dock with Compliant Connector Mount," filed Sep. 11, 2012.

International Patent Application No. PCT/CN2012/081245, Apple Inc., "Rack Plating," filed Sep. 11, 2012.

International Patent Application No. PCT/CN2012/081257, Apple Inc., "Connectors and Methods for Manufacturing Connectors," filed Sep. 11, 2012.

Co-Pending U.S. Appl. No. 29/431,556, Akana et al., "Adapters and Connectors," filed Sep. 7, 2012.

Co-Pending U.S. Appl. No. 29/431,841, Akana et al., "Adapter," filed Sep. 11, 2012.

Co-Pending U.S. Appl. No. 29/432,034, Akana et al., "Connector Silhouette," filed Sep. 12, 2012.

U.S. Appl. No. 13/346,260, Siahaan et al., "Connector with Multi-Layer NI Underplated Contacts," filed Sep. 30, 2011 (Not Published).

U.S. Appl. No. 13/346,206, Jol et al., "Hotbar and Methods for Assembling Electrical Contacts Ensure Co-Planarity", filed Jan. 9, 2012 (Not Published).

U.S. Appl. No. 61/668,074, Terlizzie et al., "Techniques for Monitoring Contacts in a Connector," filed Jul. 5, 2012 (Not Published).

U.S. Appl. No. 61/693,228, Weber et al., "Self-Lubricating Retention Mechanism," filed Aug. 24, 2012 (Not Published).

U.S. Appl. No. 61/693,232, Weber et al., "Retention Mechanism Having Improved Fatigue Strength," filed Aug. 24, 2012 (Not Published).

U.S. Appl. No. 61/693,496, Zadesky et al., "Context Aware Functionality in a Portable Electronic Device," filed Sep. 7, 2012 (Not Published).

U.S. Appl. No. 61/698,538, Soohoo et al., "Plug Connector," filed Sep. 7, 2012 (Not Published).

U.S. Appl. No. 13/607,366, Golko et al., "Dual Orientation Electronic Connector," filed Sep. 7, 2012 (Not Published).

U.S. Appl. No. 13/607,404, Mullins et al., "Techniques for Detecting Removal of a Connector," filed Sep. 7, 2012 (Not Published).

U.S. Appl. No. 13/607,426, Mullins et al., "Data Structures for Facilitating Communication Between a Host Device and an Accessory," filed Sep. 7, 2012 (Not Published).

U.S. Appl. No. 13/607,430, Sarwar et al., "Audio/Video Connector for an Electronic Device," filed Sep. 7, 2012 (Not Published).

U.S. Appl. No. 13/607,443, Fritchman et al., "Connector Adapter," filed Sep. 7, 2012 (Not Published).

U.S. Appl. No. 13/607,443, Terlizzi et al., "Cascading Power for Accessories," filed Sep. 7, 2012 (Not Published).

U.S. Appl. No. 13/607,454, Andrews et al., "Accessory Booting Over USB," filed Sep. 7, 2012 (Not Published).

U.S. Appl. No. 13/607,462, Golko et al., "Connector Architecture and Insertion Profile" filed Sep. 7, 2012 (Not Published).

U.S. Appl. No. 13/607,473, Mullins et al., "Methods, Systems and Apparatus for Determining Whether an Accessory Includes Particular Circuitry," filed Sep. 7, 2012 (Not Published).

U.S. Appl. No. 13/607,454, Mullins et al., "Methods, Systems and Apparatus for Enabling an Accessory for Use with a Host Device," filed Sep. 7, 2012 (Not Published).

U.S. Appl. No. 13/607,497, Weber et al., "Retention Mechanism Device," filed Sep. 7, 2012 (Not Published).

U.S. Appl. No. 13/607,502, Weber et al., "Underfill Applicator Device and Methods for Assembling Electrical Contacts," filed Sep. 7, 2012 (Not Published).

U.S. Appl. No. 13/607,519, Terlizzi et al., "Adapter for Electronic Devices," filed Sep. 7, 2012 (Not Published).

U.S. Appl. No. 13/607,454, Ardisana, II et al., "Reinforcing Bars I/O Connectors," filed Sep. 7, 2012 (Not Published).

U.S. Appl. No. 13/607,550, Terlizzi et al., "Techniques for Configuring Contacts of a Connector," filed Sep. 7, 2012 (Not Published).

U.S. Appl. No. 13/607,553, Rich et al., "Adapter for Use With a Portable Electronic Device," filed Sep. 7, 2012 (Not Published).

U.S. Appl. No. 13/607,55, Golko et al., "Insert-Molded Connector Contacts," filed Sep. 7, 2012 (Not Published).

U.S. Appl. No. 13/607,563, Golembeski et al., "Multi-Mode Adapter," filed Sep. 7, 2012 (Not Published).

U.S. Appl. No. 13/607,566, Golko et al., "Plug Connector Modules," filed Sep. 7, 2012 (Not Published).

U.S. Appl. No. 13/607,598, Colahan et al., "Compliant Mount for Connector," filed Sep. 7, 2012 (Not Published).

U.S. Appl. No. 13/607,600, Weber et al., "Retention Mechanism Having Improved Fatigue Strength," filed Sep. 7, 2012 (Not Published).

International Patent Application No. PCT/US12/54318, Apple Inc., "Connectors for Electronic Devices," filed Sep. 7, 2012 (Not Published).

U.S. Appl. No. 61/699,818, Uttermann et al., "Connector Trim," filed Sep. 11, 2012 (Not Published).

U.S. Appl. No. 61/699,838, Webb et al., "Dock Connector With Compliance Mechanism," filed Sep. 11, 2012 (Not Published).

U.S. Appl. No. 13/610,326, Siahaan et al., "Assembly of a Cable," filed Sep. 11, 2012 (Not Published).

U.S. Appl. No. 13/610,631, Schmidt et al., "Connectors and Methods for Manufacturing Connectors," filed Sep. 11, 2012 (Not Published).

U.S. Appl. No. 13/610,750, Webb et al., "Single-Piece Shield Can," filed Sep. 11, 2012 (Not Published).

U.S. Appl. No. 13/610,832, Webb et al., "Dock with Compliant Connector Mount," filed Sep. 11, 2012 (Not Published).

International Patent Application No. PCT/CN2012/081245, Apple Inc., "Rack Plating," filed Sep. 11, 2012 (Not Published).

International Patent Application No. PCT/CN2012/081257, Apple Inc., "Connectors and Methods for Manufacturing Connectors," filed Sep. 11, 2012 (Not Published).

Co-Pending U.S. Appl. No. 29/431,556, Akana et al., "Adapters and Connectors," filed Sep. 7, 2012 (Not Published).

Co-Pending U.S. Appl. No. 29/431,841, Akana et al., "Adapter," filed Sep. 7, 2012 (Not Published).

Co-Pending U.S. Appl. No. 29/432,034, Akana et al., "Connector Silhouette," filed Sep. 7, 2012 (Not Published).

* cited by examiner

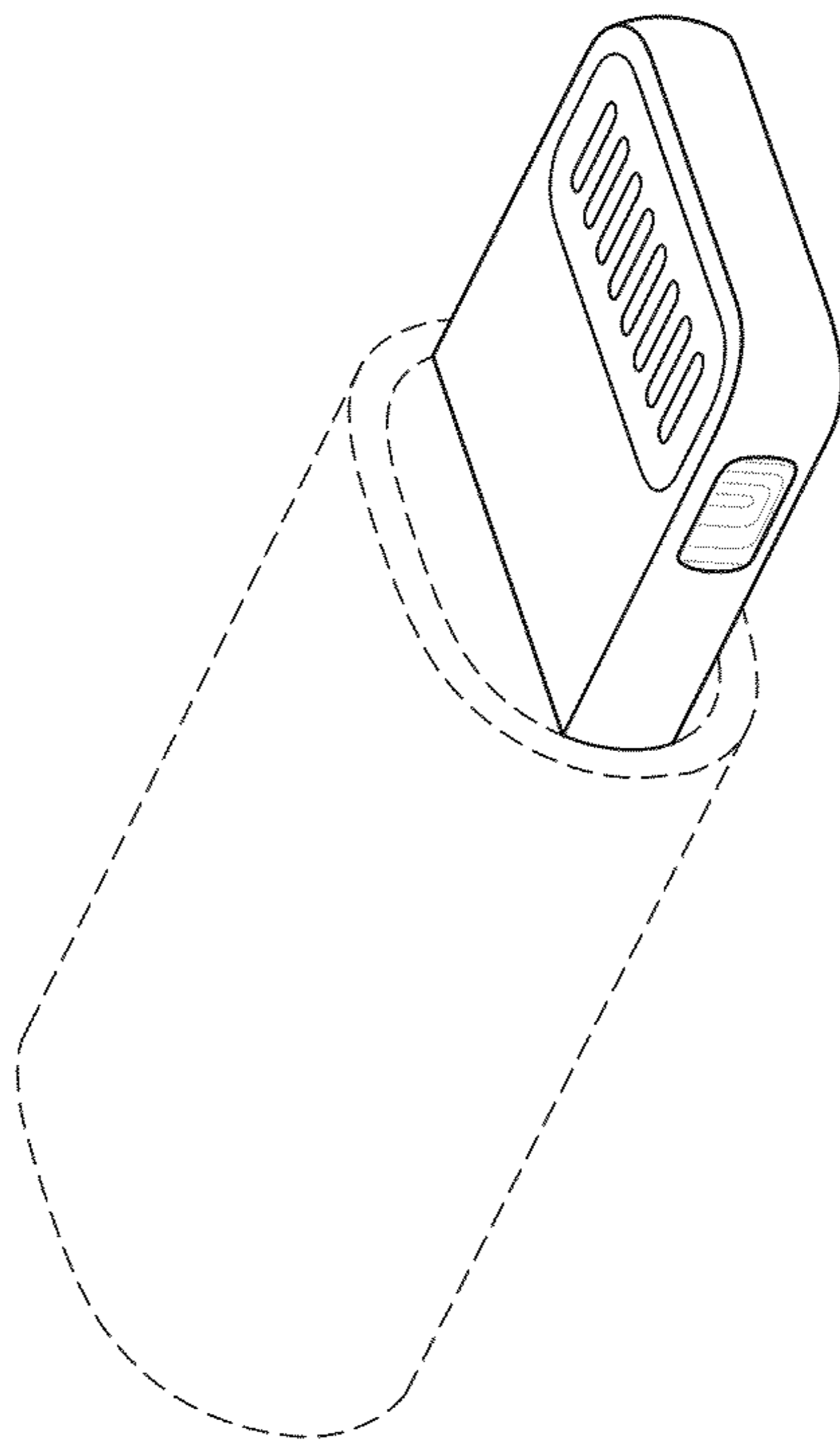


FIG. 1

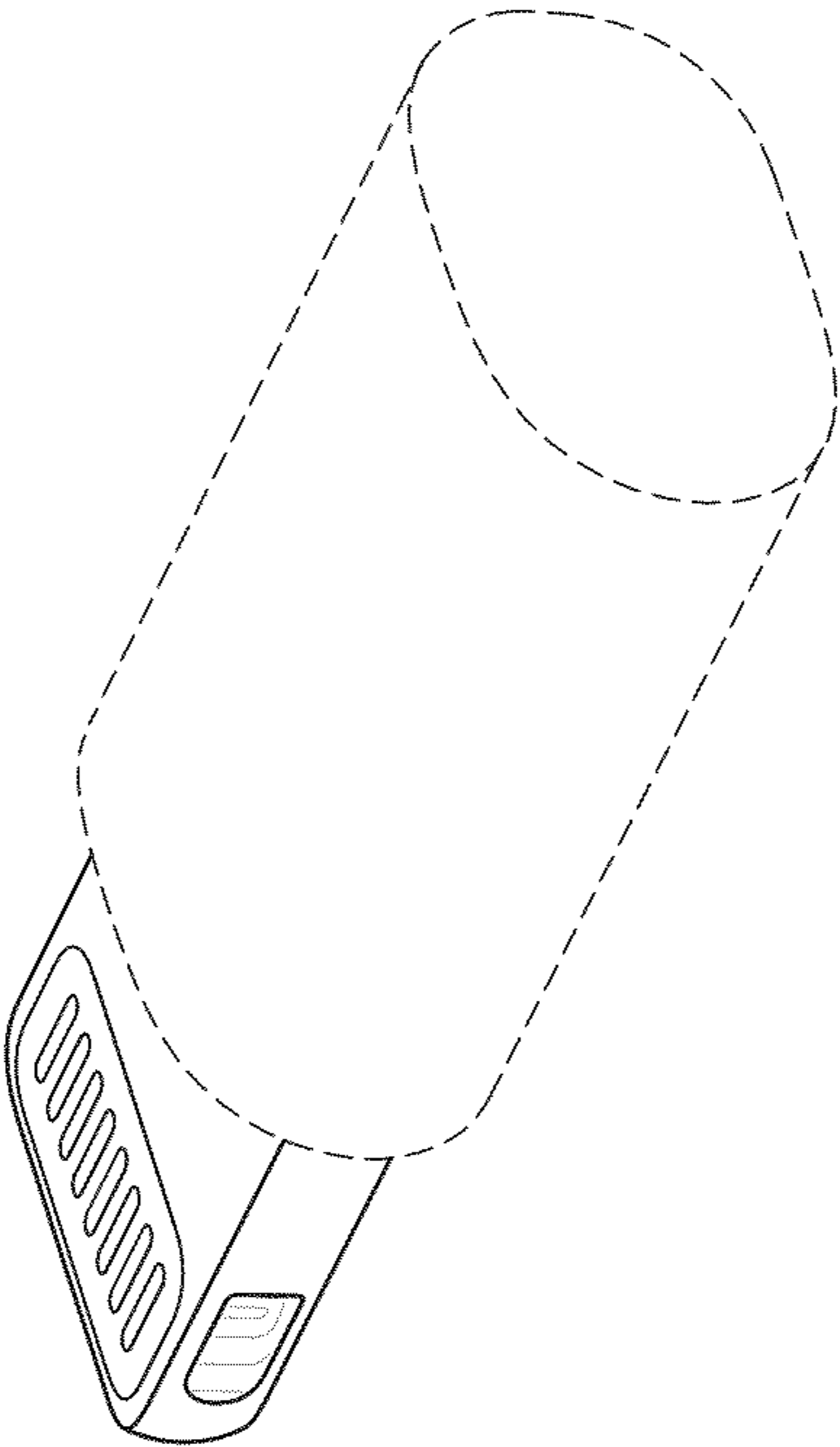


FIG. 2

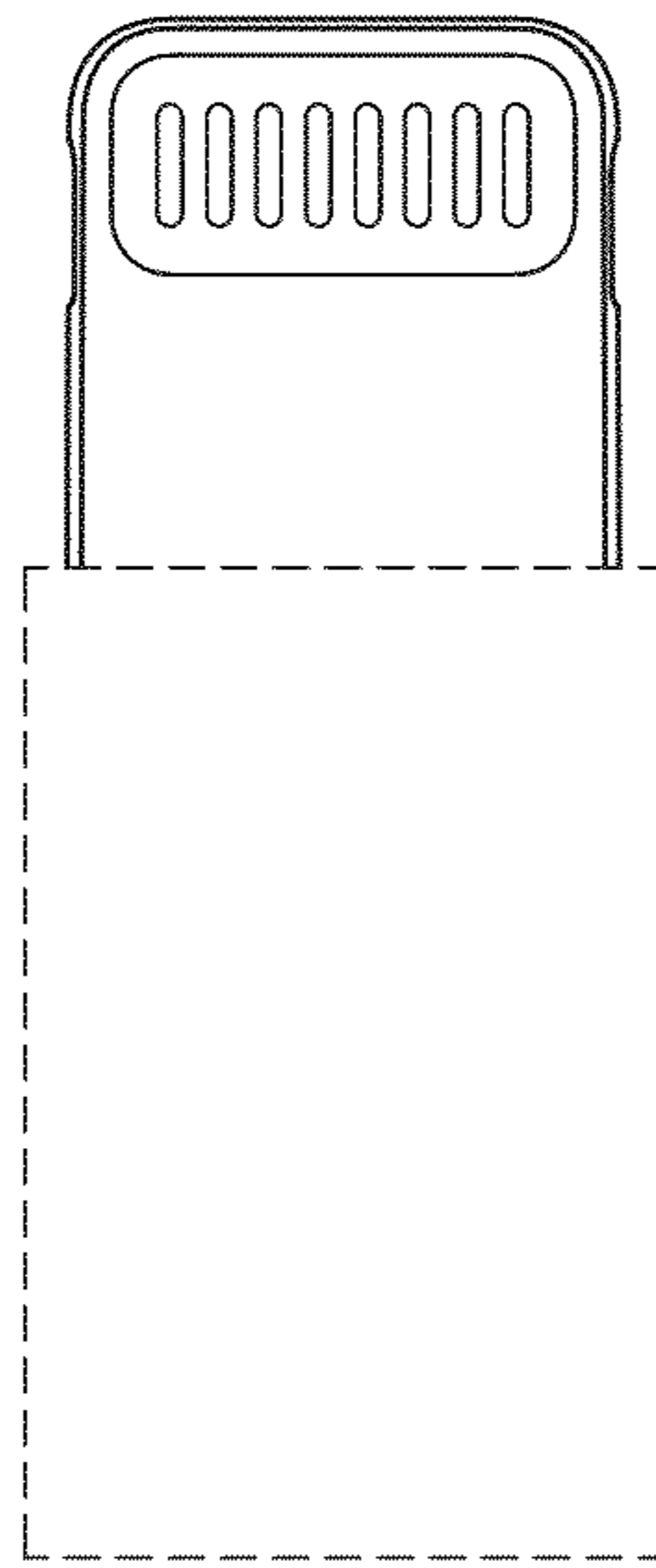


FIG. 3

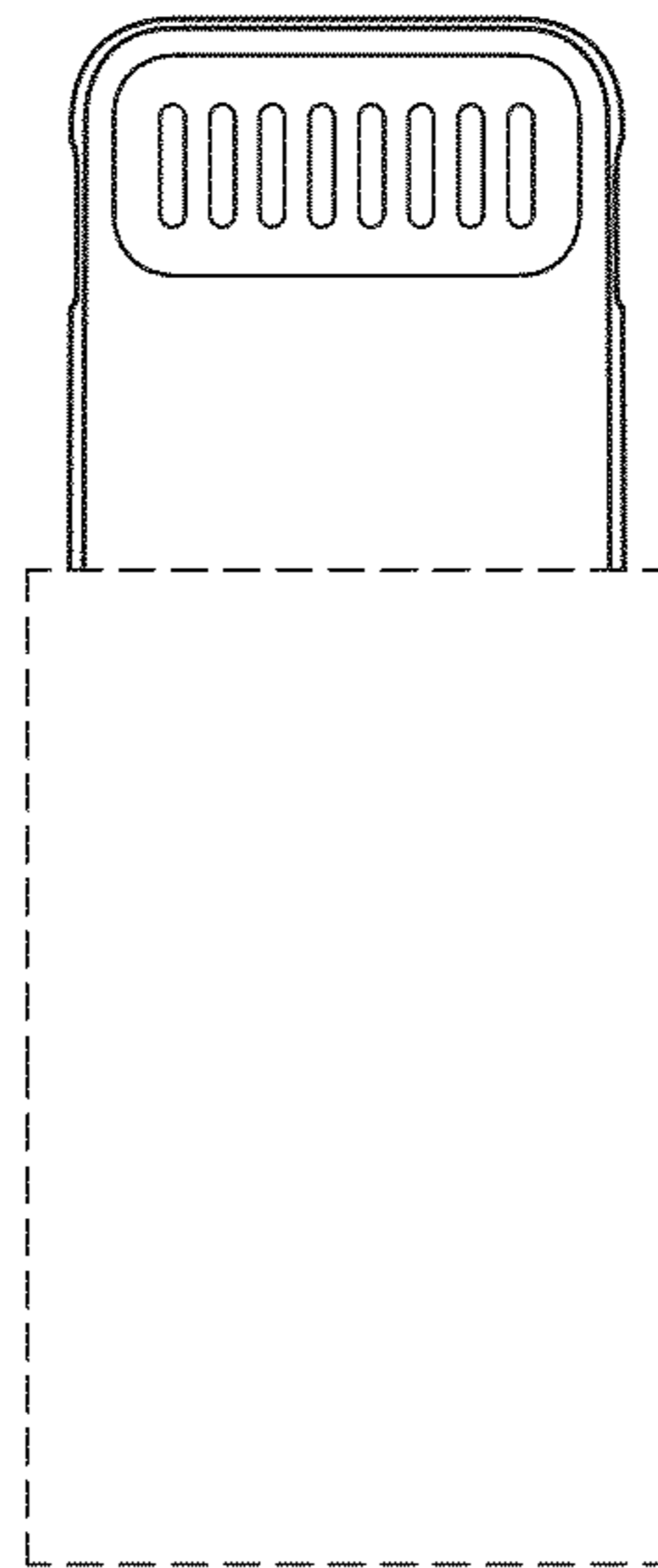


FIG. 4

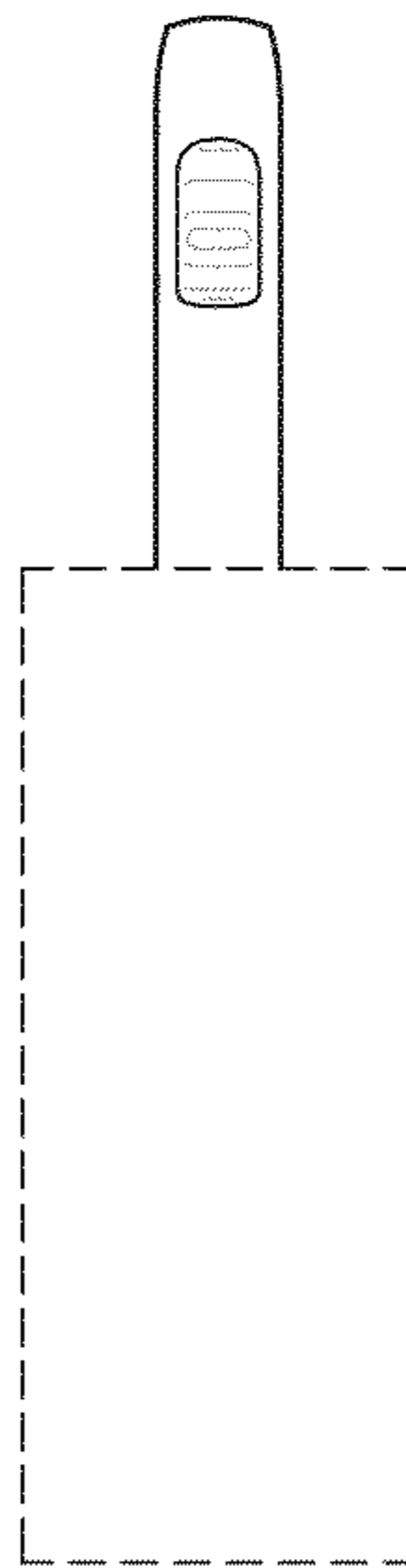


FIG. 5

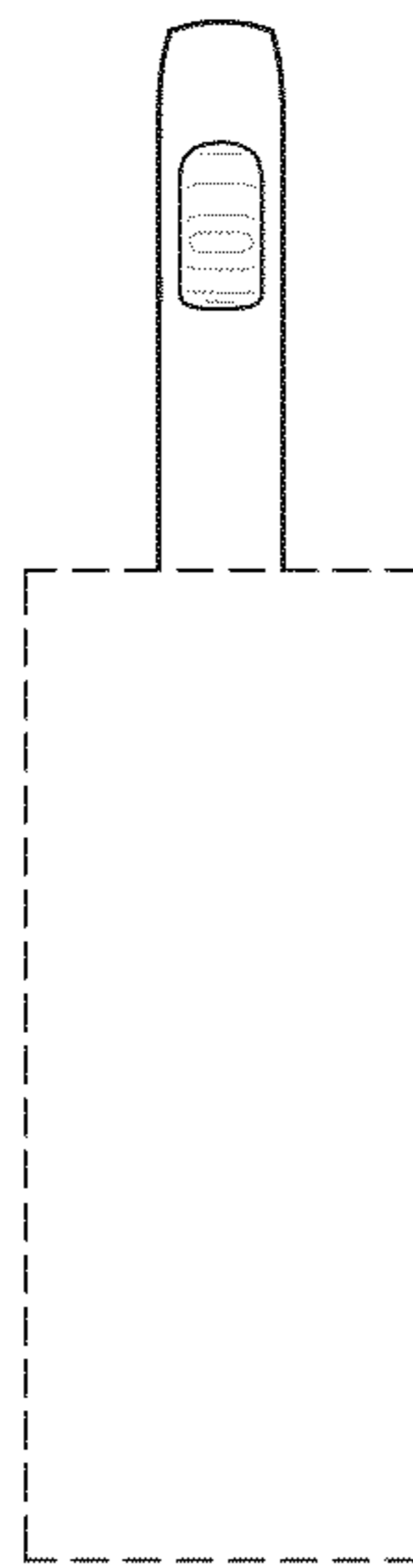


FIG. 6

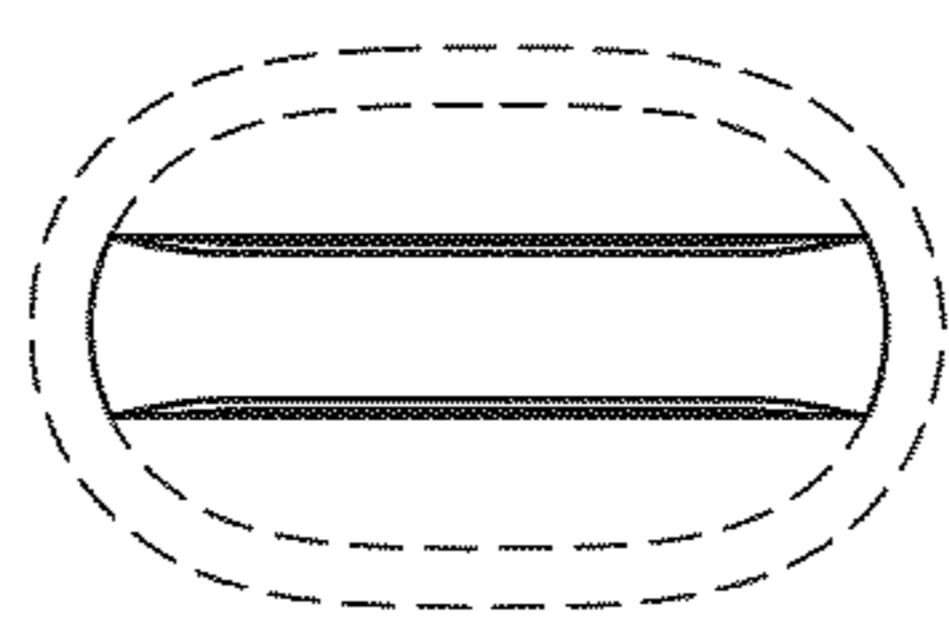


FIG. 7

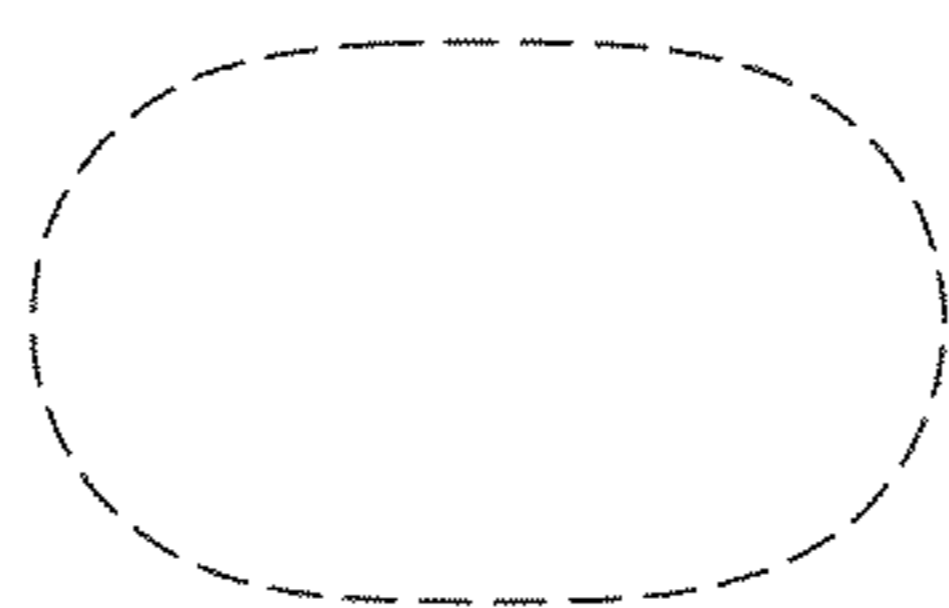


FIG. 8