



US00D684538S

(12) **United States Design Patent**
Akana et al.

(10) **Patent No.:** **US D684,538 S**
(45) **Date of Patent:** **** Jun. 18, 2013**

(54) **ADAPTER**

(75) Inventors: **Jody Akana**, San Francisco, CA (US);
Bartley K. Andre, Menlo Park, CA (US); **Jeremy Bataillou**, San Francisco, CA (US); **Daniel J. Coster**, San Francisco, CA (US); **Daniele De Iuliis**, San Francisco, CA (US); **Evans Hankey**, San Francisco, CA (US); **Julian Hoenig**, San Francisco, CA (US); **Richard P. Howarth**, San Francisco, CA (US); **Jonathan P. Ive**, San Francisco, CA (US); **Duncan Robert Kerr**, San Francisco, CA (US); **Matthew Dean Rohrbach**, San Francisco, CA (US); **Peter Russell-Clarke**, San Francisco, CA (US); **Mikael Silvanto**, San Francisco, CA (US); **Christopher J. Stringer**, Woodside, CA (US); **Eugene Antony Whang**, San Francisco, CA (US); **Rico Zorkendorfer**, San Francisco, CA (US)

(73) Assignee: **Apple Inc.**, Cupertino, CA (US)

(**) Term: **14 Years**

(21) Appl. No.: **29/424,258**

(22) Filed: **Jun. 8, 2012**

(51) **LOC (9) Cl.** **13-03**

(52) **U.S. Cl.**
USPC **D13/147**

(58) **Field of Classification Search**
USPC D13/107, 108, 118, 120, 133, 146,
D13/147, 153, 154, 184, 199; D14/215, 357,
D14/432, 433, 435.1, 438; 439/38-40, 129-130,
439/135, 146, 149-150, 176-177, 180,
217-218, 225, 246, 252, 278-279, 290-291,
439/329, 352-353, 378-381, 488-490, 610,
439/650, 660, 668, 677-678, 680, 682

See application file for complete search history.

(56) **References Cited**

U.S. PATENT DOCUMENTS

2,034,273 A 3/1936 Smith
4,600,810 A 7/1986 Feldman et al.

(Continued)

OTHER PUBLICATIONS

Apple Inc., MacBook Pro, www.apple.com, available as early as Jan. 14, 2006.

(Continued)

Primary Examiner — Daniel Bui

(74) *Attorney, Agent, or Firm* — Saidman DesignLaw Group

(57) **CLAIM**

The ornamental design for an adapter, as shown and described.

DESCRIPTION

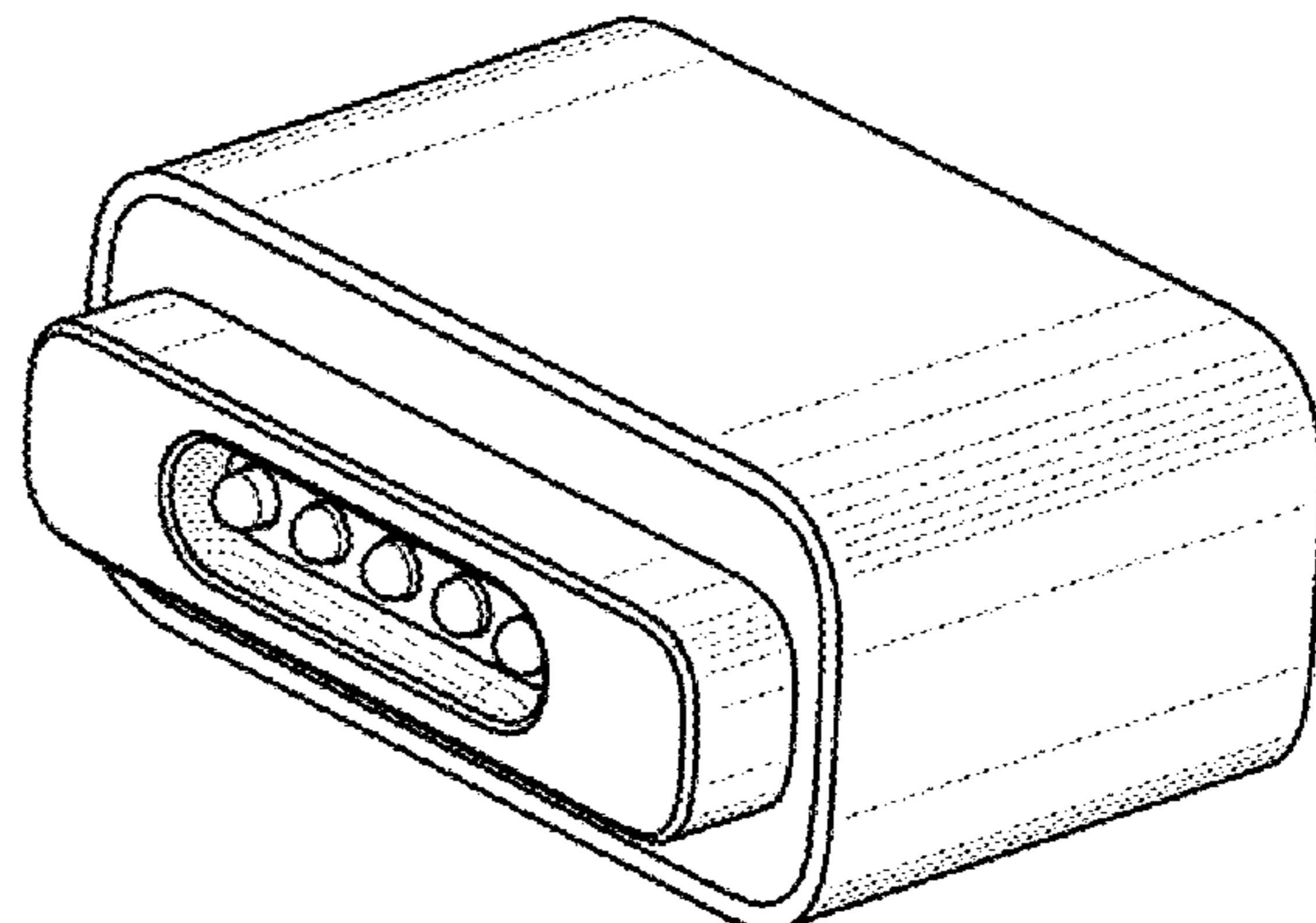
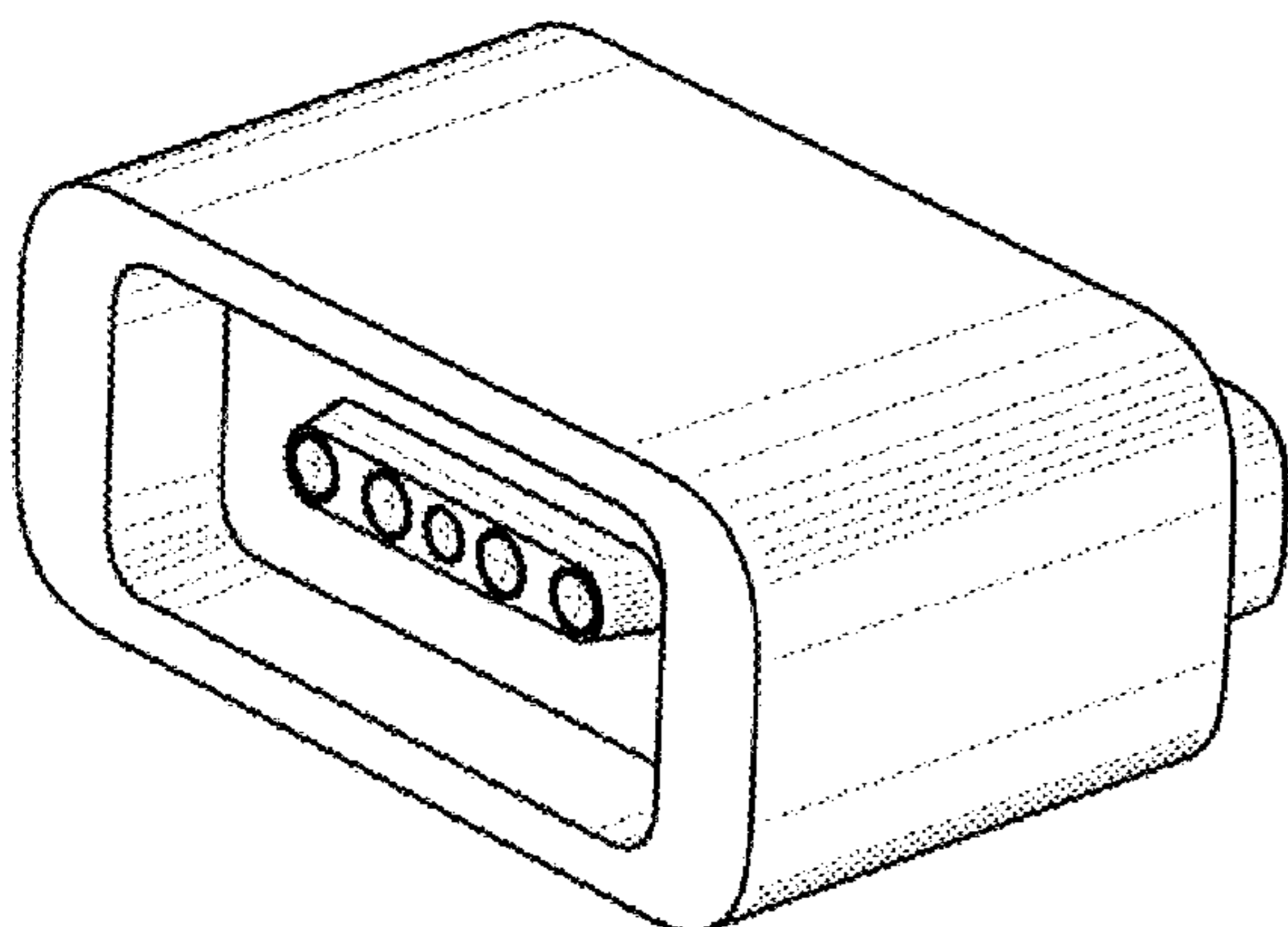
FIG. 1 is a rear perspective view of a first embodiment of an adapter showing our new design; FIG. 2 is a front perspective view thereof; FIG. 3 is a front view thereof; FIG. 4 is a rear view thereof; FIG. 5 is a right side view thereof, the left side view being a mirror image thereof; FIG. 6 is a top view thereof; FIG. 7 is a bottom view thereof; FIG. 8 is a rear perspective view of a second embodiment thereof; FIG. 9 is a front perspective view thereof; FIG. 10 is a front view thereof; FIG. 11 is a rear view thereof; FIG. 12 is right side view thereof, the left side view being a mirror image thereof; FIG. 13 is a top view thereof; and, FIG. 14 is a bottom view thereof.

The broken lines illustrate environmental structure and form no part of the claimed design.

The relatively light shade lines on the surface portions indicate contour and not surface decoration.

The gray shading represents a metallic surface.

1 Claim, 4 Drawing Sheets



US D684,538 S

Page 2

U.S. PATENT DOCUMENTS

D330,704 S	*	11/1992	Wagner	D14/242			
5,179,501 A		1/1993	Ocken et al.				
D333,293 S		2/1993	Ashida				
5,267,882 A		12/1993	Davis				
D348,909 S		7/1994	Nakanishi				
D349,099 S		7/1994	Robertson, Jr. et al.				
D349,526 S		8/1994	Nakanishi				
5,364,292 A		11/1994	Bethurum				
D354,315 S		1/1995	Nakanishi				
D366,242 S		1/1996	Goto				
D372,460 S		8/1996	Aramaki				
D381,629 S		7/1997	Goto				
D409,574 S		5/1999	Shimojo et al.				
D415,111 S		10/1999	Lee				
D422,559 S	*	4/2000	Tsai	D13/147			
D422,560 S		4/2000	Lok				
D437,290 S		2/2001	Goto				
D442,553 S		5/2001	Urban et al.				
D447,121 S		8/2001	Yim				
D447,467 S		9/2001	Hisada et al.				
D449,275 S		10/2001	Goto				
D457,194 S		5/2002	Goto				
D464,997 S		10/2002	Goto				
D471,156 S		3/2003	Sass et al.				
D493,144 S		7/2004	Cheng et al.				
6,921,284 B2		7/2005	Sirichai et al.				
D514,524 S		2/2006	Suckle				
D515,510 S		2/2006	Huang				
D531,127 S		10/2006	Zhong et al.				
7,210,943 B1		5/2007	Chang et al.				
D549,660 S		8/2007	Zenri et al.				
D550,158 S		9/2007	Victor				
D552,546 S		10/2007	Nishio et al.				
D553,087 S		10/2007	Ashida et al.				
D553,092 S		10/2007	Arai et al.				
D563,883 S		3/2008	Dever				
D563,884 S		3/2008	Dever				
D563,885 S		3/2008	Dever				
D563,886 S		3/2008	Dever				
D563,887 S		3/2008	Dever				
D563,888 S		3/2008	Dever				
D563,890 S		3/2008	Dever				
D563,891 S		3/2008	Dever				
D566,656 S		4/2008	Dever				
D569,808 S		5/2008	Dever				
D571,296 S		6/2008	Kuo et al.				
D574,778 S	*	8/2008	Szeto et al.	D13/147			
7,429,188 B2		9/2008	Wu				
D579,880 S		11/2008	Birmingham et al.				
D580,861 S		11/2008	Amidon				
D588,545 S		3/2009	Andre et al.				
7,517,222 B2		4/2009	Rohrbach et al.				
7,540,733 B2	*	6/2009	Rossanese	425/112			
7,540,773 B2		6/2009	Ko				
7,632,134 B2		12/2009	Su et al.				
D607,831 S		1/2010	Andre et al.				
D618,178 S		6/2010	Andre et al.				
7,727,031 B2		6/2010	Lord				
D619,963 S		7/2010	Hou				
D620,450 S		7/2010	Andre et al.				
7,841,776 B2		11/2010	DiFonzo et al.				
D629,752 S		12/2010	Akana et al.				
D632,261 S		2/2011	Andre et al.				
D639,748 S		6/2011	Akana et al.				
2002/0142665 A1		10/2002	Nishio et al.				
2003/0207611 A1		11/2003	Lin et al.				
2007/0072442 A1		3/2007	DiFonzo et al.				
2007/0072443 A1		3/2007	Rohrbach et al.				
2008/0003841 A1	*	1/2008	Su et al.	439/55			
2010/0080563 A1		4/2010	DiFonzo et al.				
2011/0038582 A1		2/2011	DiFonzo et al.				
2012/0148195 A1		6/2012	Umeno				
2012/0252231 A1	*	10/2012	Kall	439/39			

OTHER PUBLICATIONS

U.S. Appl. No. 12/891,794 entitled "Cable Connector Assembly With Status Indicator Means" filed Sep. 27, 2010.
 U.S. Appl. No. 29/375,909 entitled "Connector" filed Sep. 29, 2010 and amended Aug. 2, 2012.
 Office action dated Nov. 7, 2012 in U.S. Appl. No. 29/424,257, entitled "Connector".
 U.S. Appl. No. 29/424,257, filed Jun. 8, 2012, entitled "Connector".

* cited by examiner

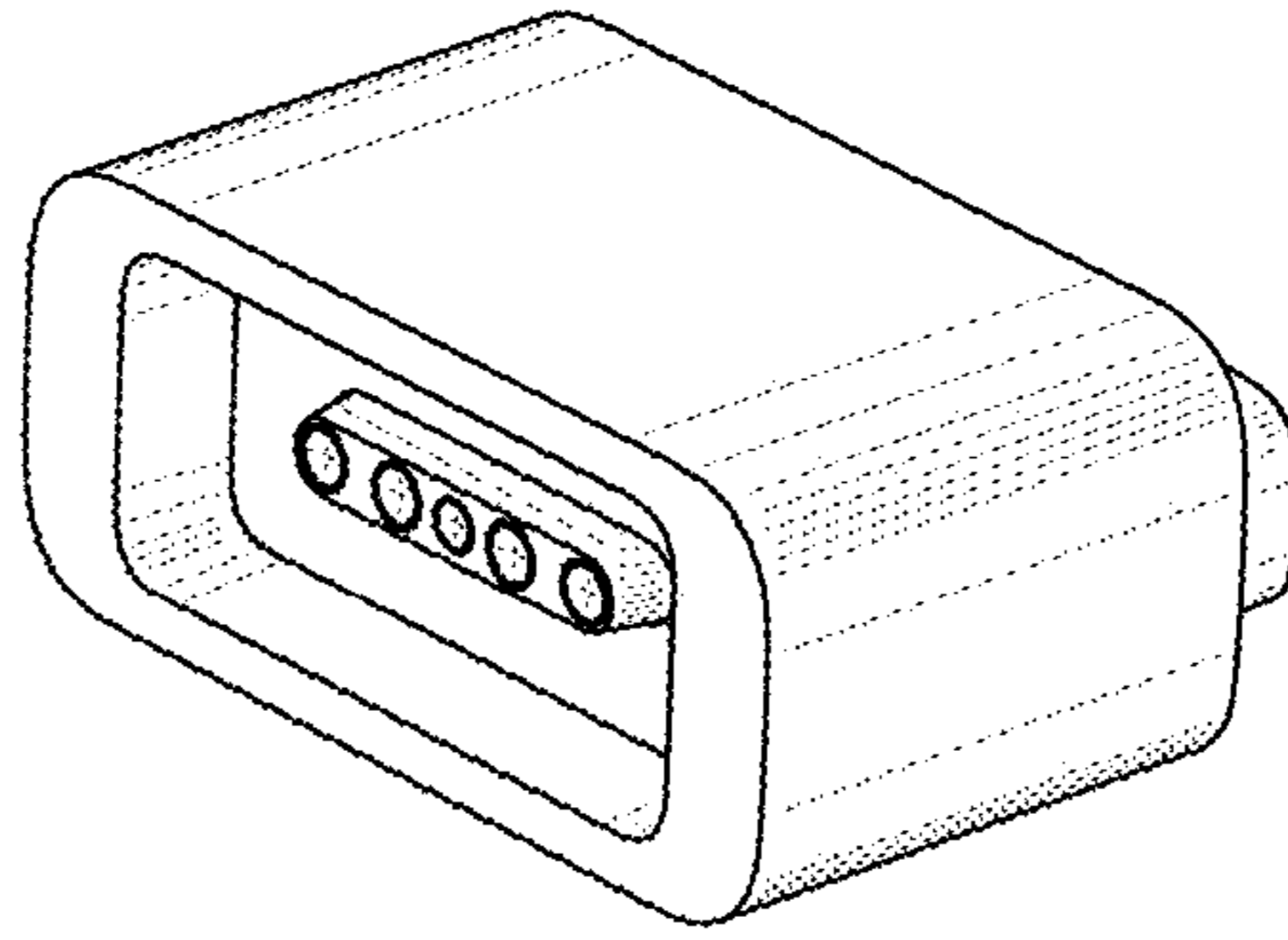


Fig. 1

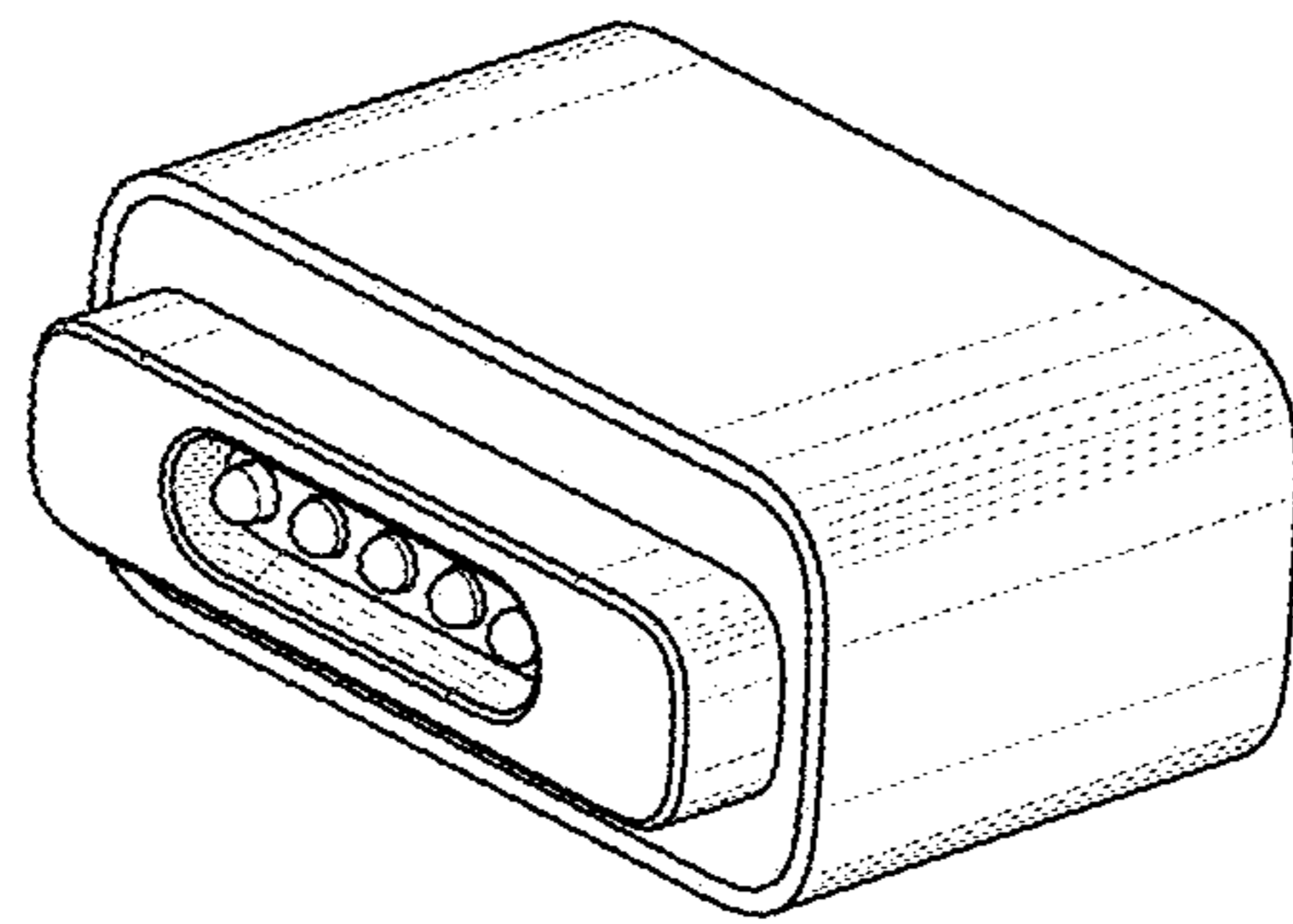


Fig. 2

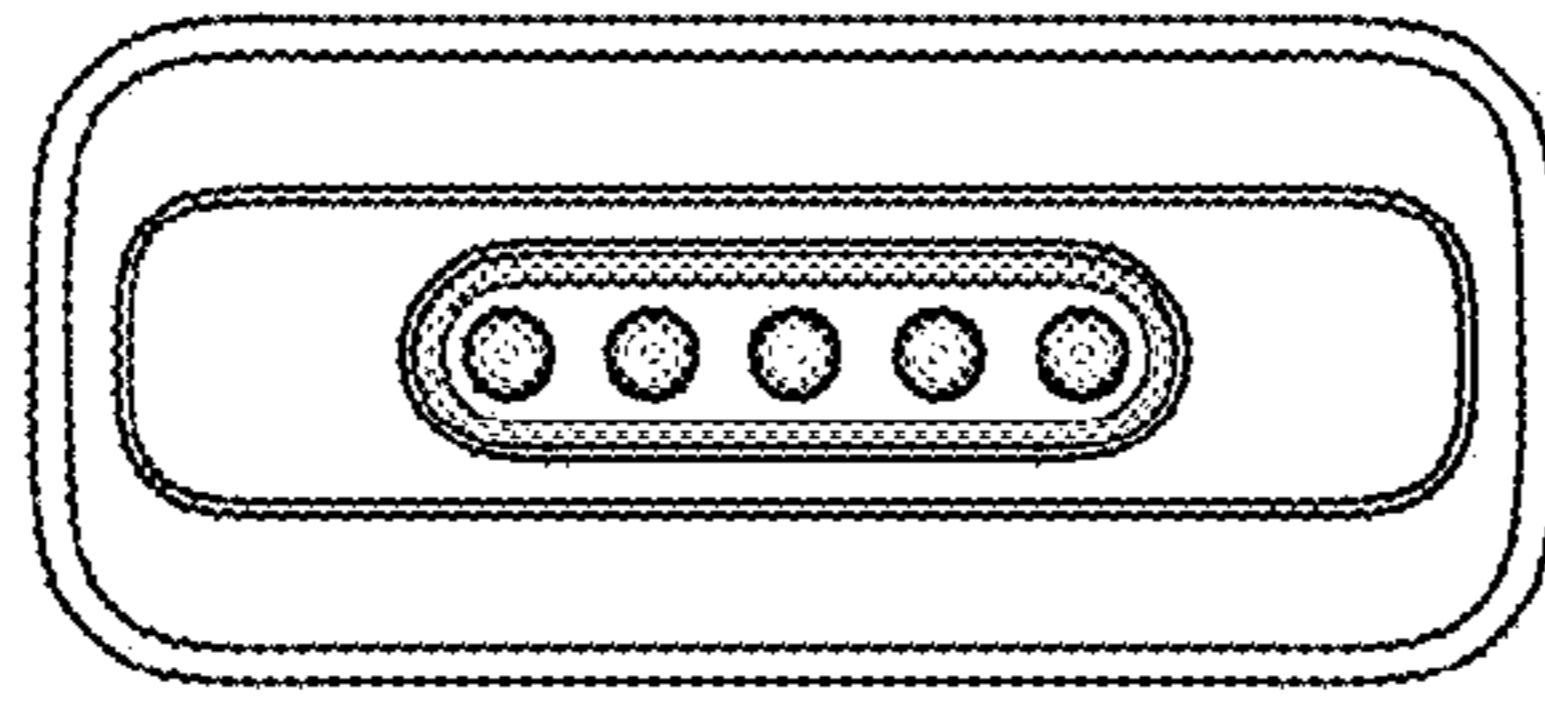


Fig. 3

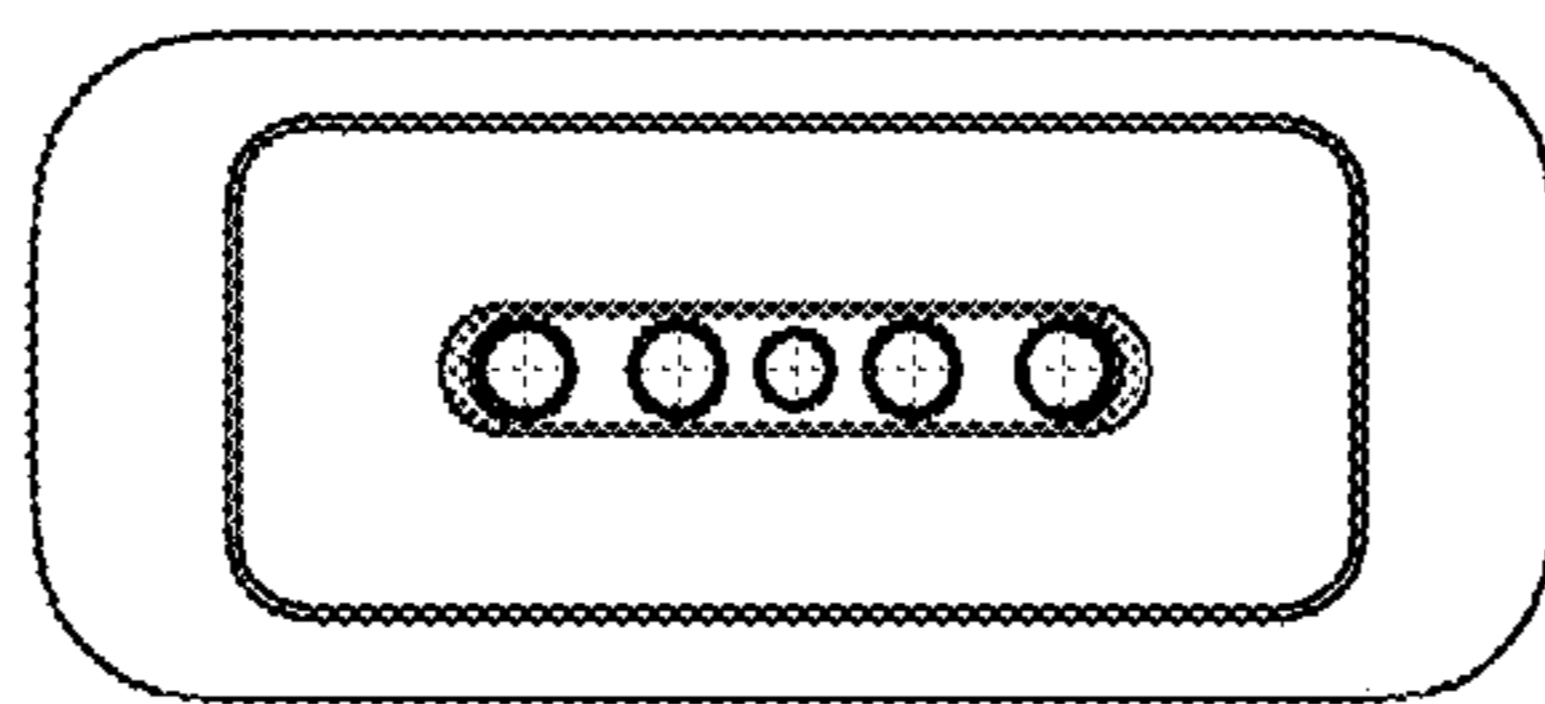


Fig. 4

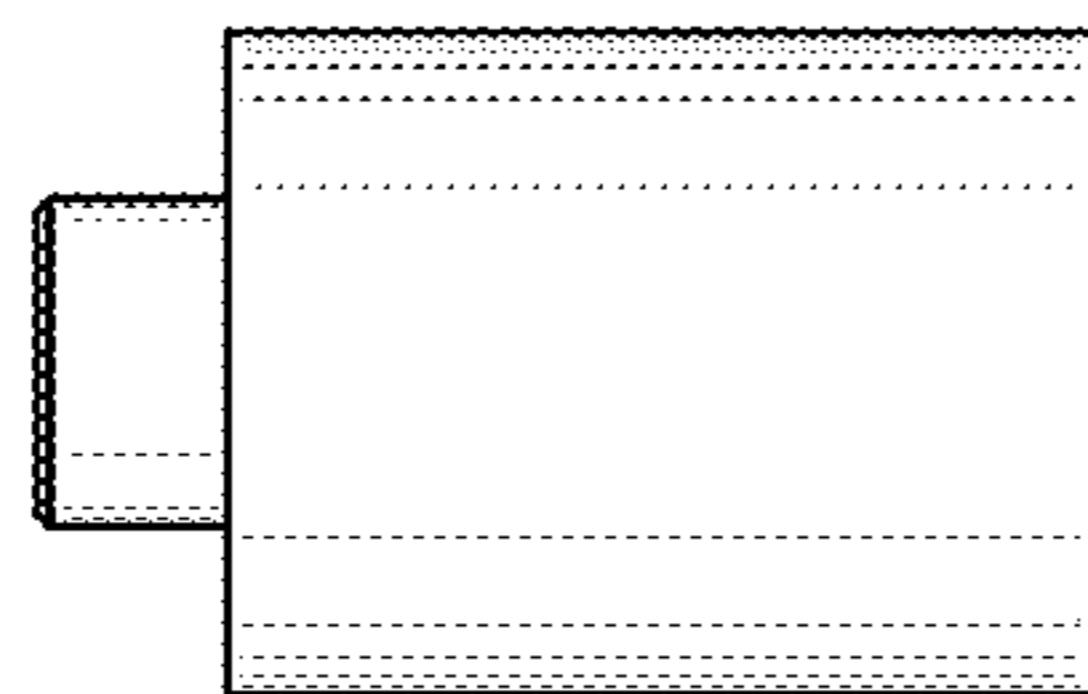


Fig. 5

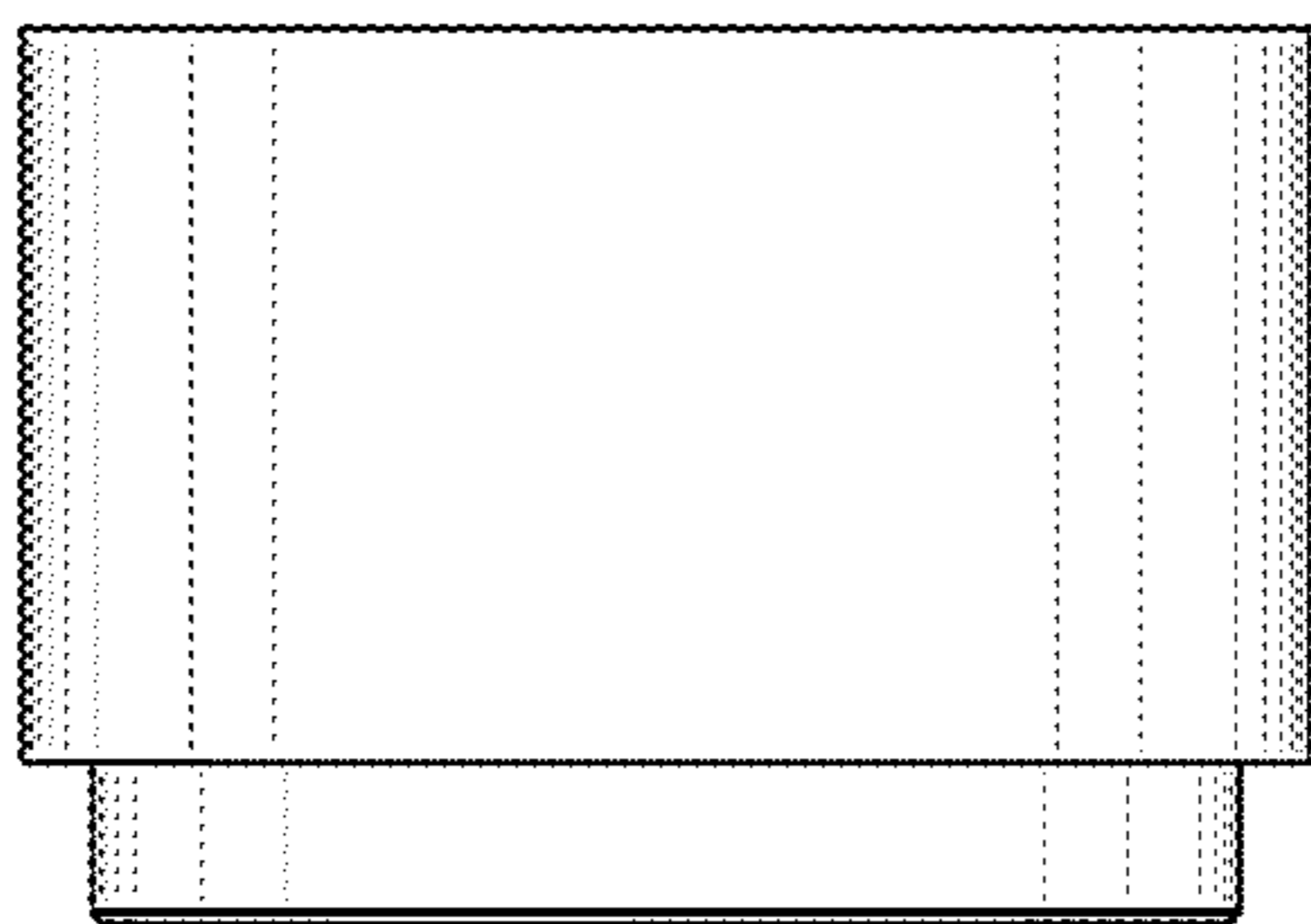


Fig. 6

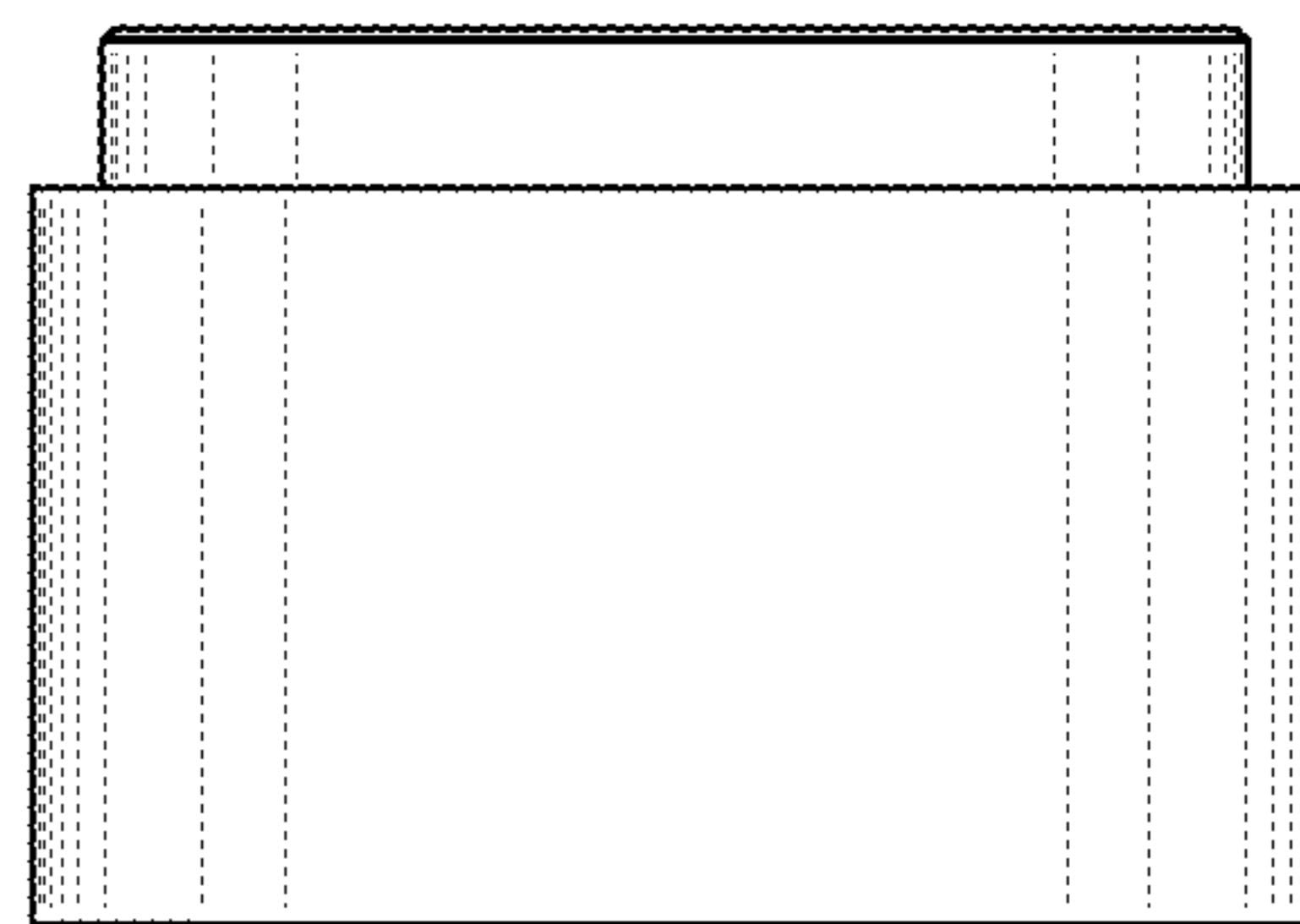


Fig. 7

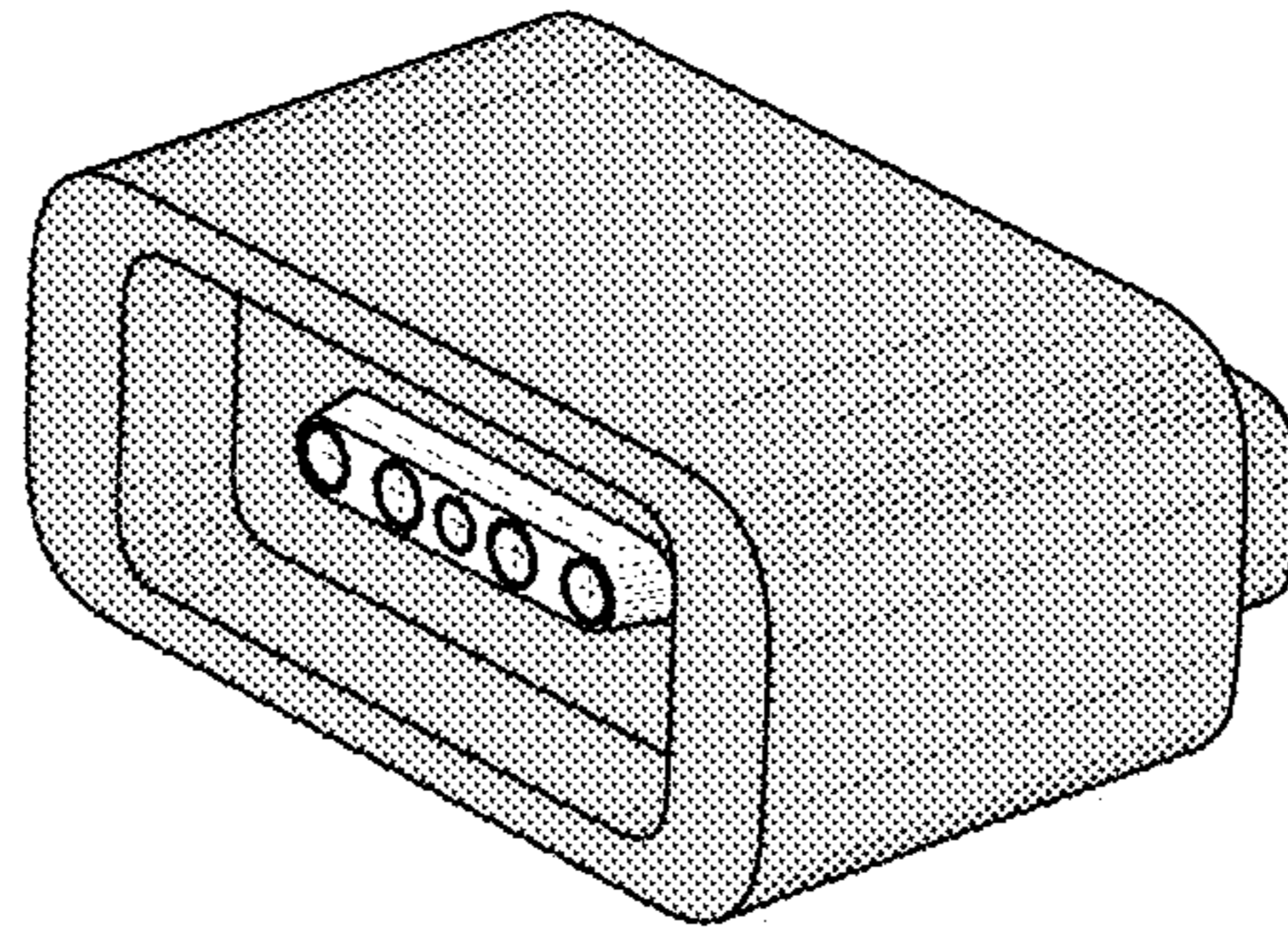


Fig. 8

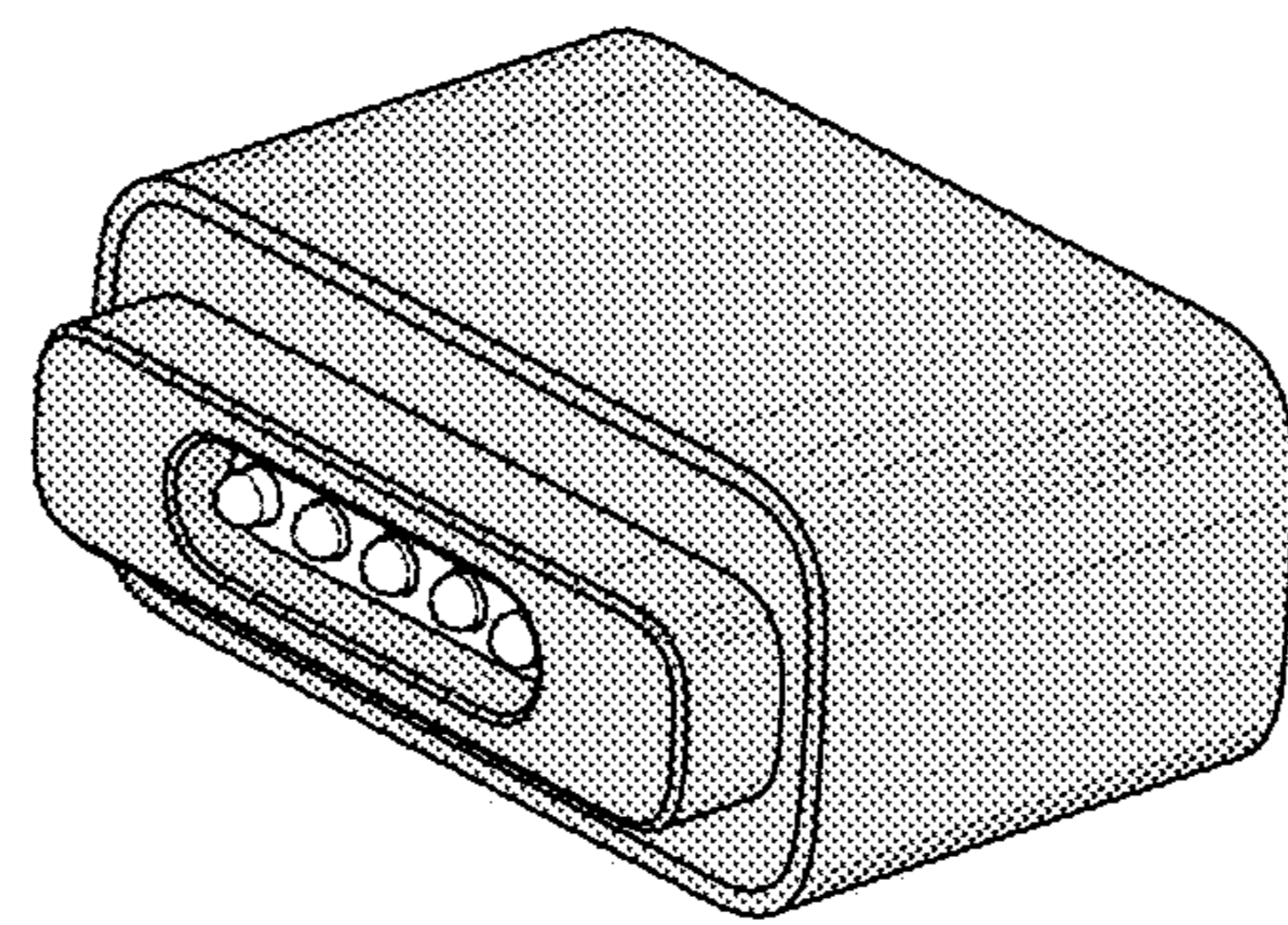


Fig. 9

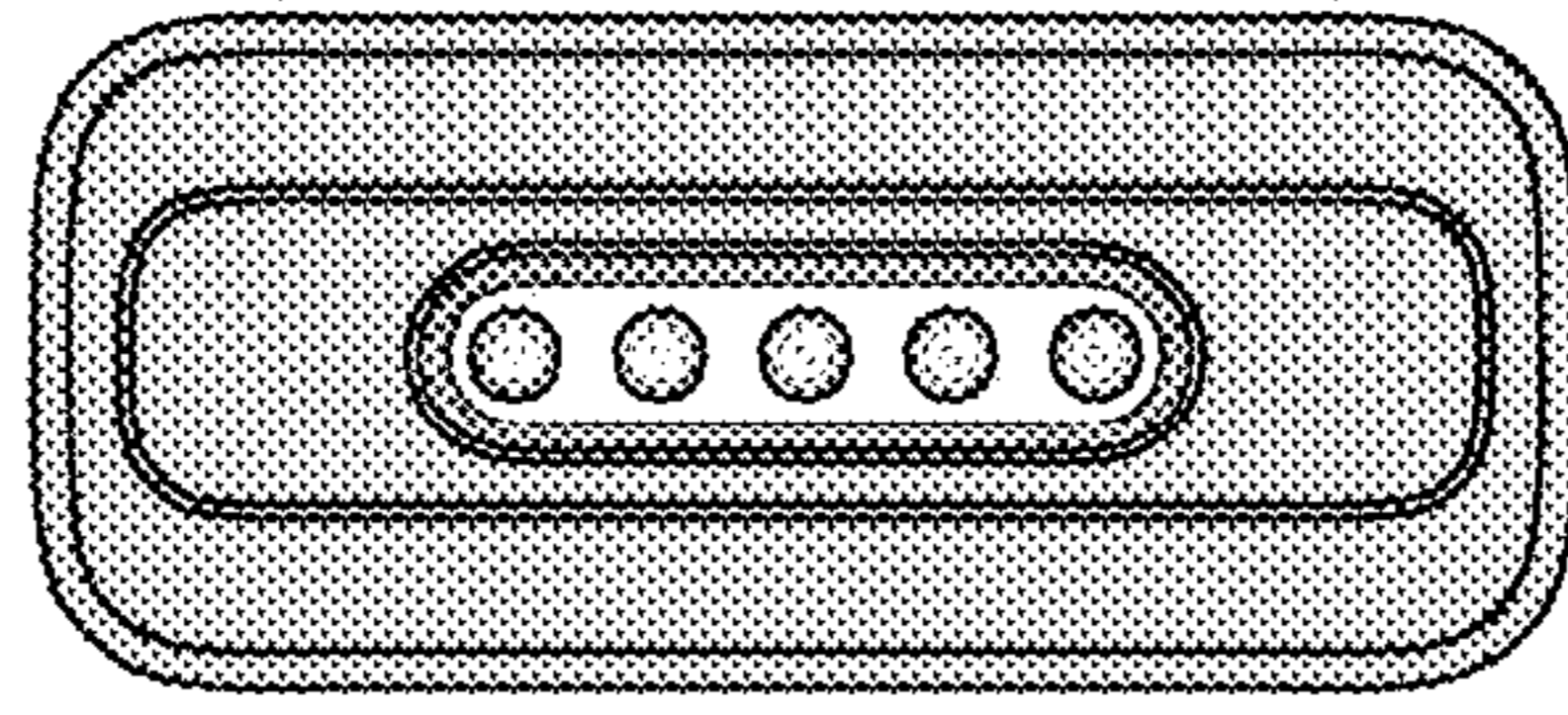


Fig. 10

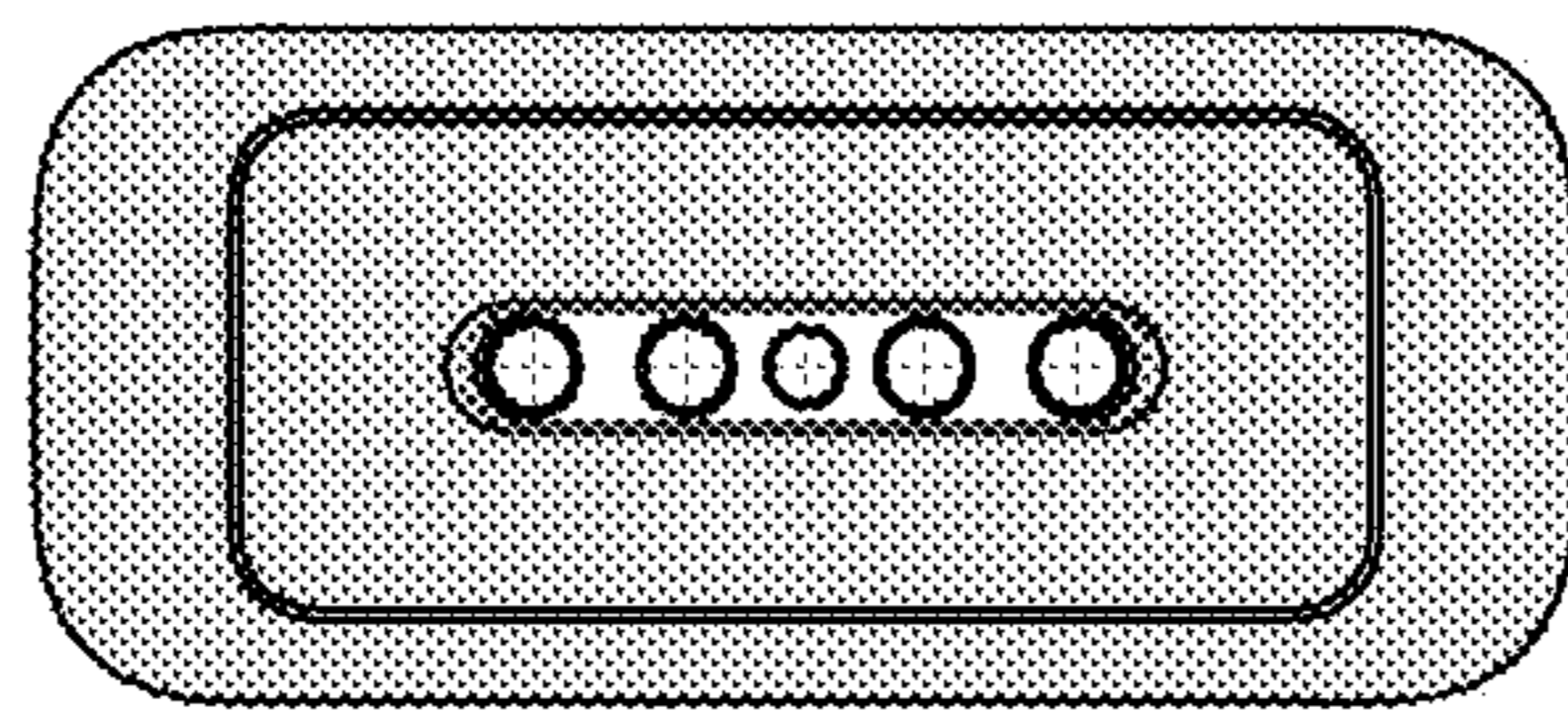


Fig. 11

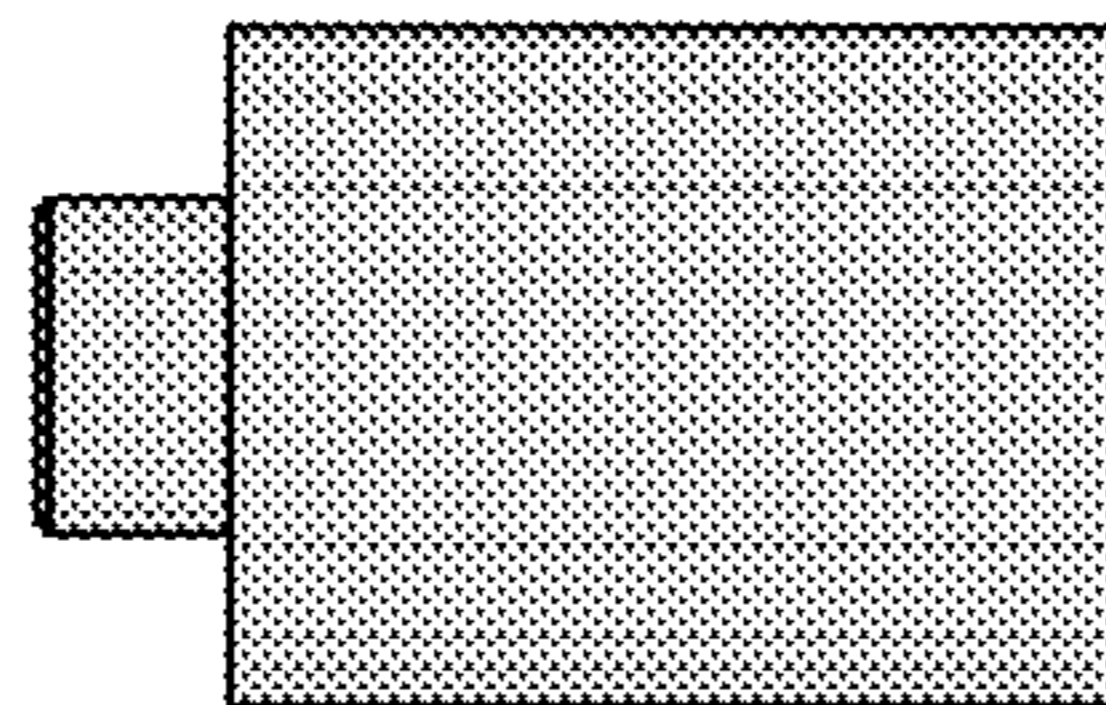


Fig. 12

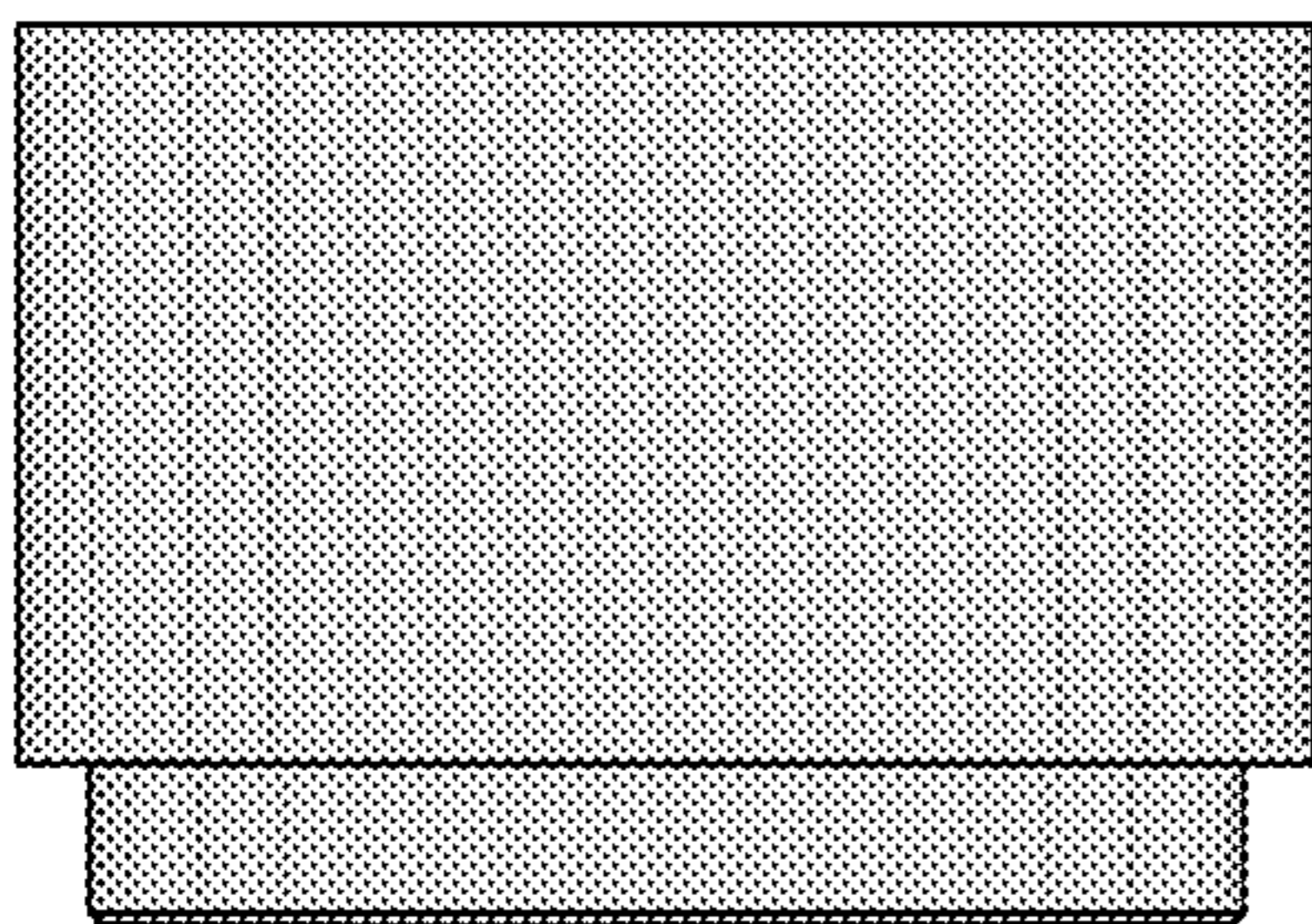


Fig. 13

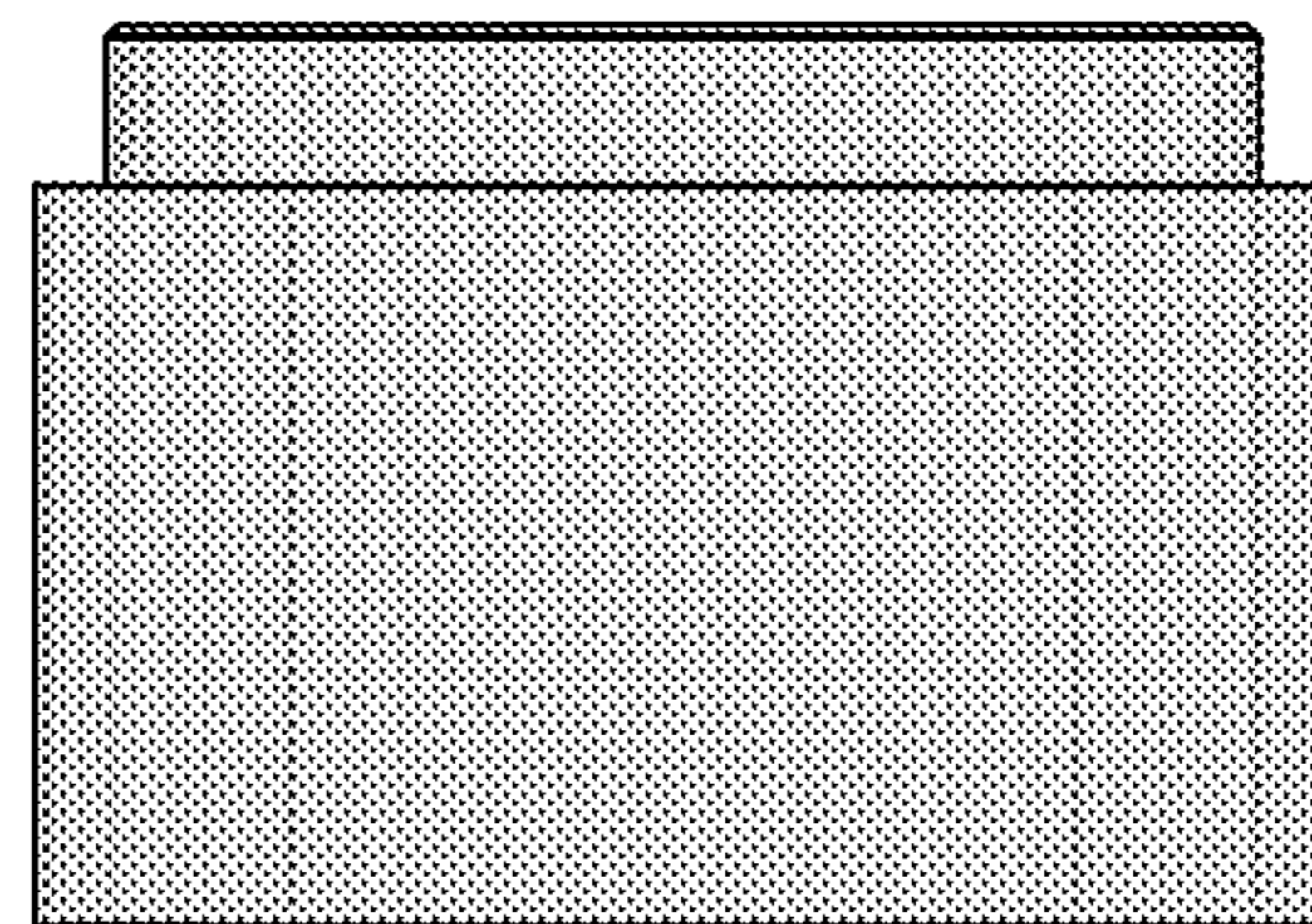


Fig. 14