



US00D684536S

(12) **United States Design Patent**
Abel et al.

(10) **Patent No.:** **US D684,536 S**

(45) **Date of Patent:** **** Jun. 18, 2013**

(54) **SMALL BATTERY PACK FOR POWERED AIR PURIFYING RESPIRATOR**

(75) Inventors: **Nathan A. Abel**, Minneapolis, MN (US);
David M. Blomberg, Lino Lakes, MN (US)

(73) Assignee: **3M Innovative Properties Company**,
St. Paul, MN (US)

(**) Term: **14 Years**

(21) Appl. No.: **29/413,410**

(22) Filed: **Feb. 15, 2012**

(51) **LOC (9) Cl.** **13-02**

(52) **U.S. Cl.**
USPC **D13/119**

(58) **Field of Classification Search**
USPC D13/102-108, 110, 118-121, 184,
D13/199; 429/96-100, 163, 176
See application file for complete search history.

(56) **References Cited**

U.S. PATENT DOCUMENTS

4,899,740	A	2/1990	Napolitano	
D481,007	S	* 10/2003	Takahashi	D13/103
D483,725	S	* 12/2003	Thompson et al.	D13/184
D494,541	S	* 8/2004	Hriscu et al.	D13/110
D543,955	S	* 6/2007	Hayes et al.	D13/184
D581,866	S	* 12/2008	Choi et al.	D13/103
D600,640	S	* 9/2009	Stein et al.	D13/103
D632,375	S	2/2011	Curran	

D640,699	S	*	6/2011	McParland	D14/434
D646,379	S		10/2011	Huh		
2009/0314295	A1		12/2009	Hatmaker		
2011/0126713	A1		6/2011	Legare		

OTHER PUBLICATIONS

Miller PAPR webpage obtained from internet on Feb. 20, 2012 http://www.millerwelds.com/products/welding_protection/filtration/papr/.

* cited by examiner

Primary Examiner — Rosemary K Tarcza

(74) *Attorney, Agent, or Firm* — Eric D. Levinson

(57) **CLAIM**

The ornamental design for a small battery pack for powered air purifying respirator (PAPR), as shown and described.

DESCRIPTION

FIG. 1 is a front perspective view showing the new design for a small battery pack for powered air purifying respirator (PAPR);

FIG. 2 is a front view thereof;

FIG. 3 is a back view thereof;

FIG. 4 is a top view thereof;

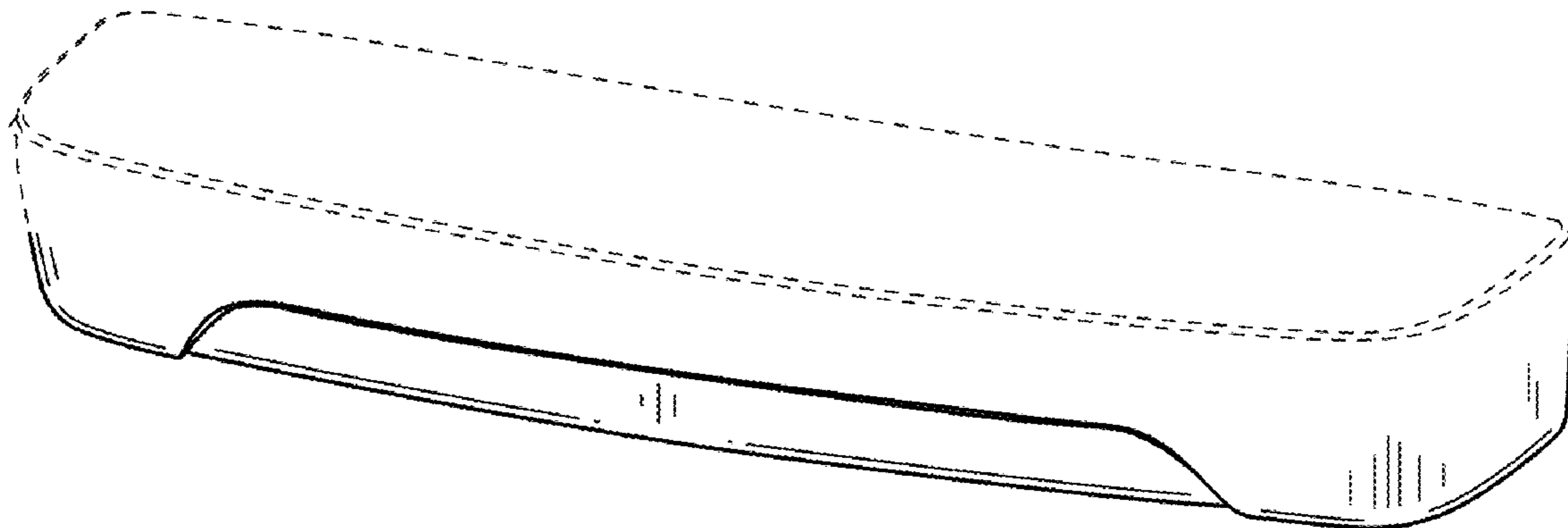
FIG. 5 is a bottom view thereof;

FIG. 6 is a left view thereof; and,

FIG. 7 is a right view thereof.

The broken line showing forms no part of the claimed design, and the shading is provided to illustrate contour only and is not an indication of texture, gloss, etc.

1 Claim, 2 Drawing Sheets



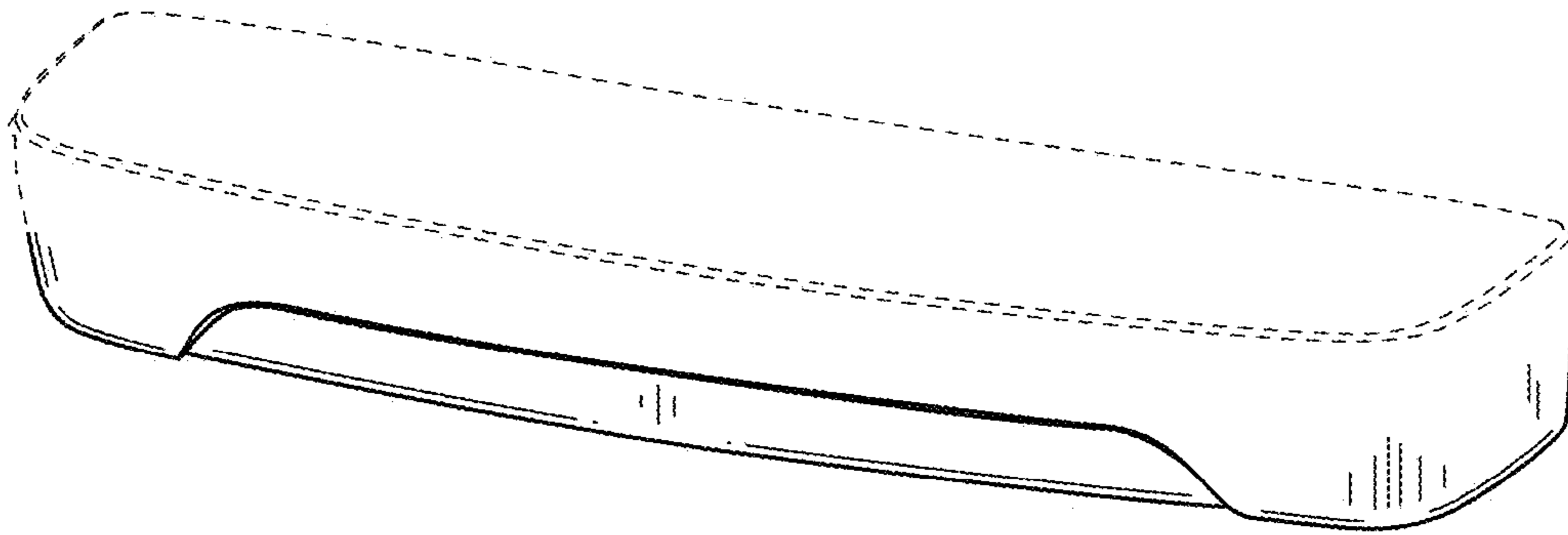


FIG. 1

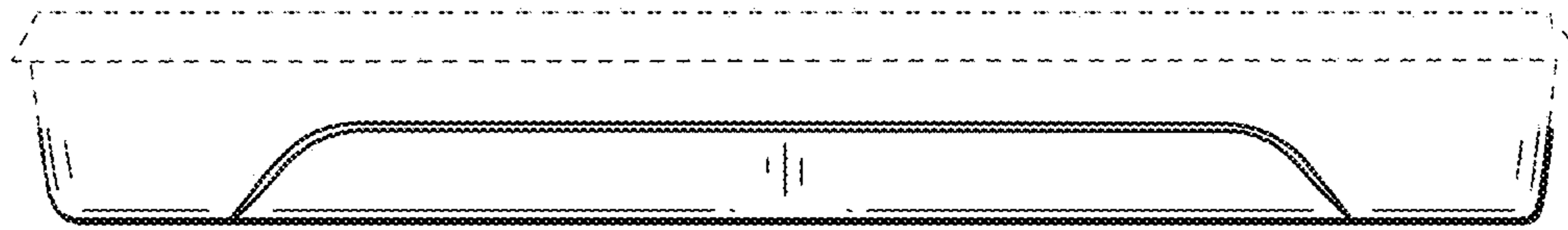


FIG. 2

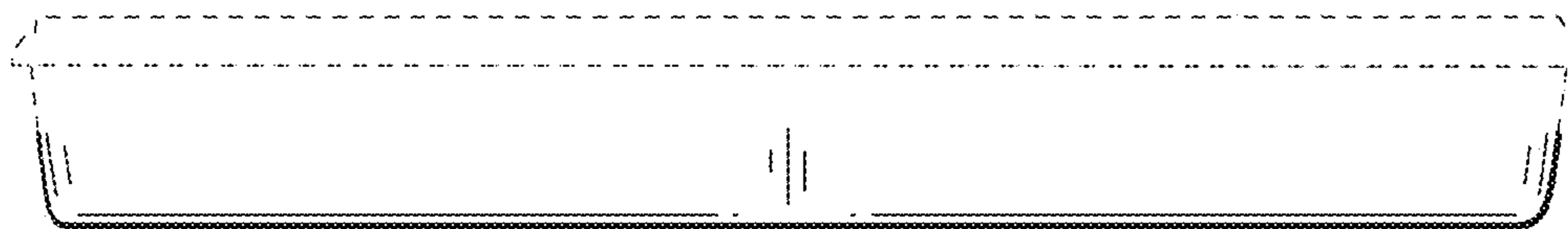


FIG. 3

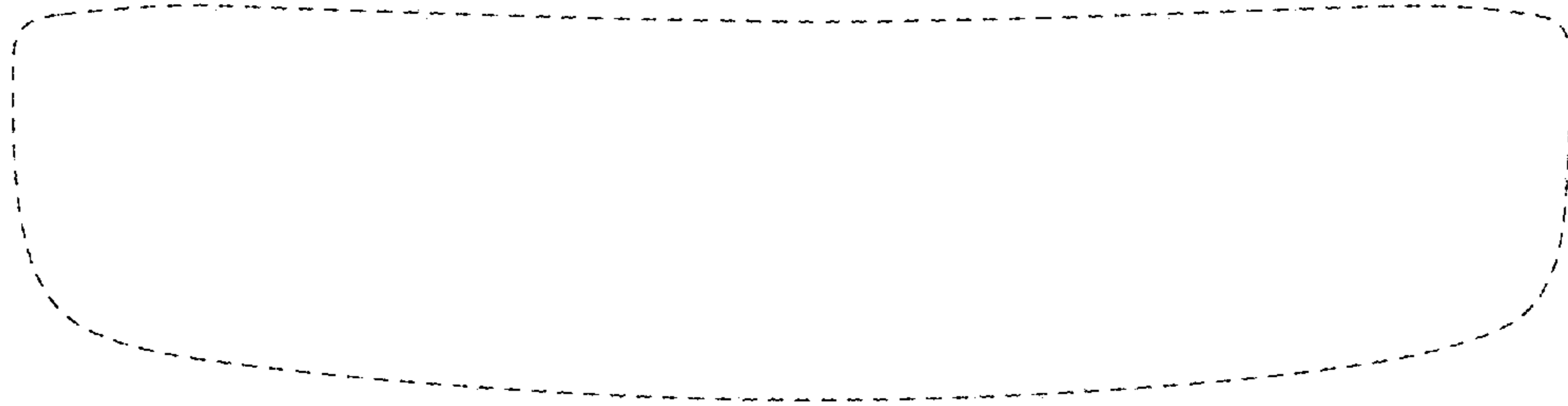


FIG. 4

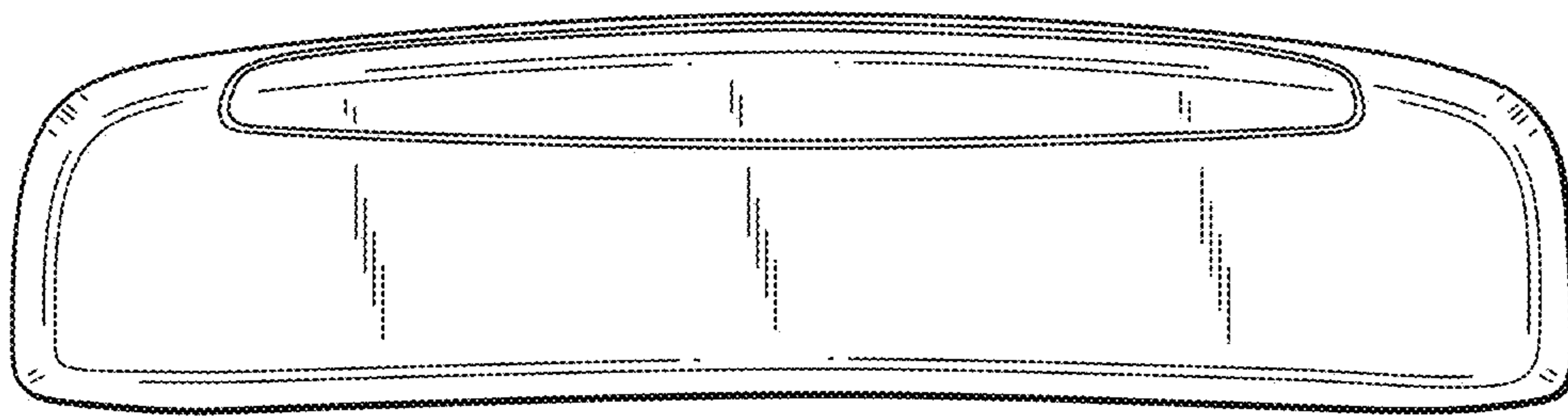


FIG. 5

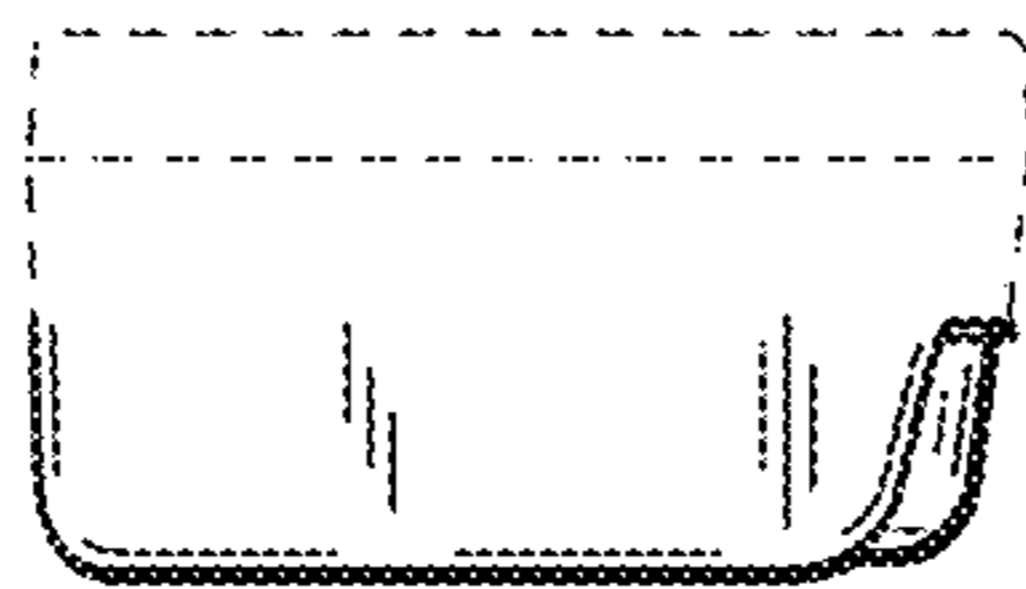


FIG. 6

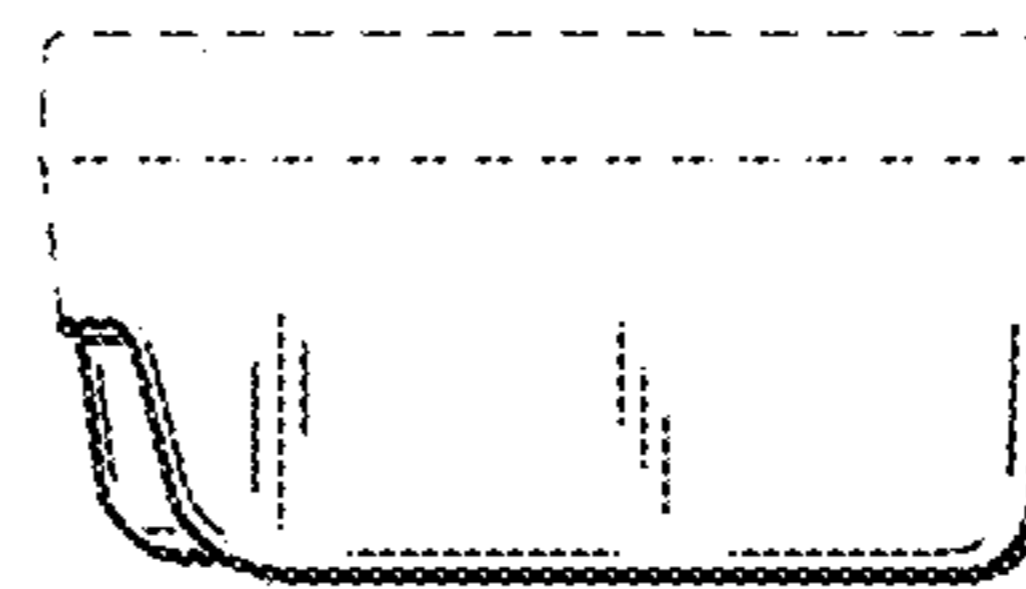


FIG. 7