

US00D684535S

(12) **United States Design Patent**  
**McDonald, II et al.**

(10) **Patent No.:** **US D684,535 S**  
(45) **Date of Patent:** **\*\* Jun. 18, 2013**

(54) **BATTERY BOX COVER**

(75) Inventors: **Ernest M. McDonald, II**, Granger, IN (US); **Thomas Edward Bendlak**, Twinsburg, OH (US)

(73) Assignee: **Spartan Motors, Inc.**, Charlotte, MI (US)

(\*\*) Term: **14 Years**

(21) Appl. No.: **29/411,138**

(22) Filed: **Jan. 17, 2012**

(51) **LOC (9) Cl.** ..... **13-02**

(52) **U.S. Cl.**  
USPC ..... **D13/119**

(58) **Field of Classification Search**  
USPC ..... D13/102-106, 110, 118-121, 184,  
D13/199; 429/96-100, 163, 176  
See application file for complete search history.

(56) **References Cited**

U.S. PATENT DOCUMENTS

D106,423 S \* 10/1937 Brodeen ..... D13/119  
3,248,144 A \* 4/1966 Hinds ..... 294/16  
D274,514 S \* 7/1984 Thompson ..... D13/119  
D329,968 S \* 10/1992 Wiesler ..... D3/315

D602,862 S \* 10/2009 Reed et al. .... D13/119  
D660,789 S \* 5/2012 Mar ..... D13/103  
D673,903 S \* 1/2013 Kobayashi ..... D13/102  
D673,904 S \* 1/2013 Kobayashi ..... D13/102

\* cited by examiner

*Primary Examiner* — Rosemary K Tarcza

(74) *Attorney, Agent, or Firm* — Reinhart Boerner Van Dueren P.C.

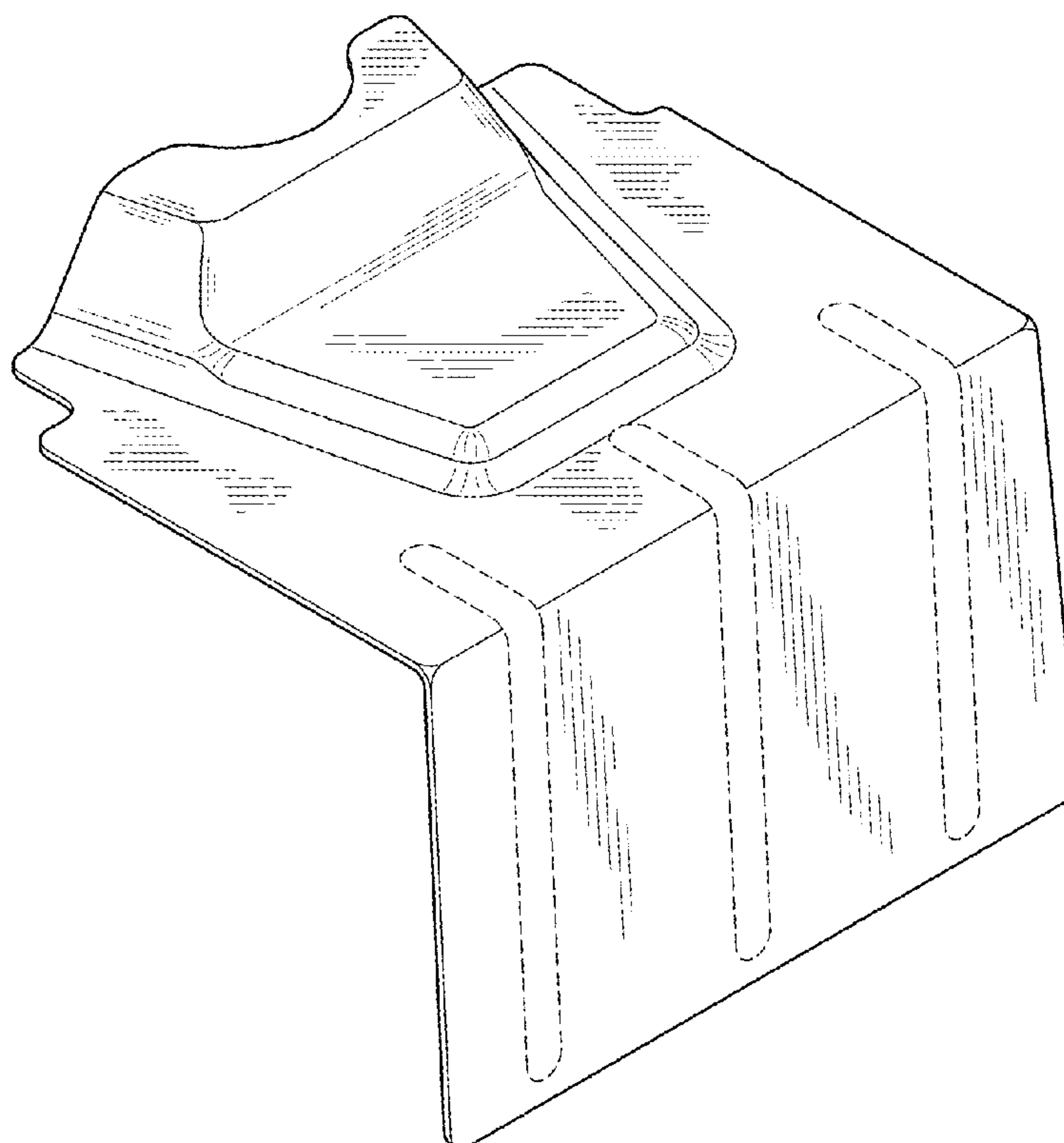
(57) **CLAIM**

We claim the ornamental design for the battery box cover, as shown and described.

**DESCRIPTION**

FIG. 1 is a perspective view of the battery box cover;  
FIG. 2 is a back view thereof;  
FIG. 3 is a front view thereof;  
FIG. 4 is a side view thereof;  
FIG. 5 is a side view thereof showing the side opposite that shown in FIG. 4;  
FIG. 6 is a top view thereof; and,  
FIG. 7 is a bottom view thereof.  
The broken lines used in FIGS. 1-7 are for purposes of illustration and form no portion of the claimed design.

**1 Claim, 4 Drawing Sheets**



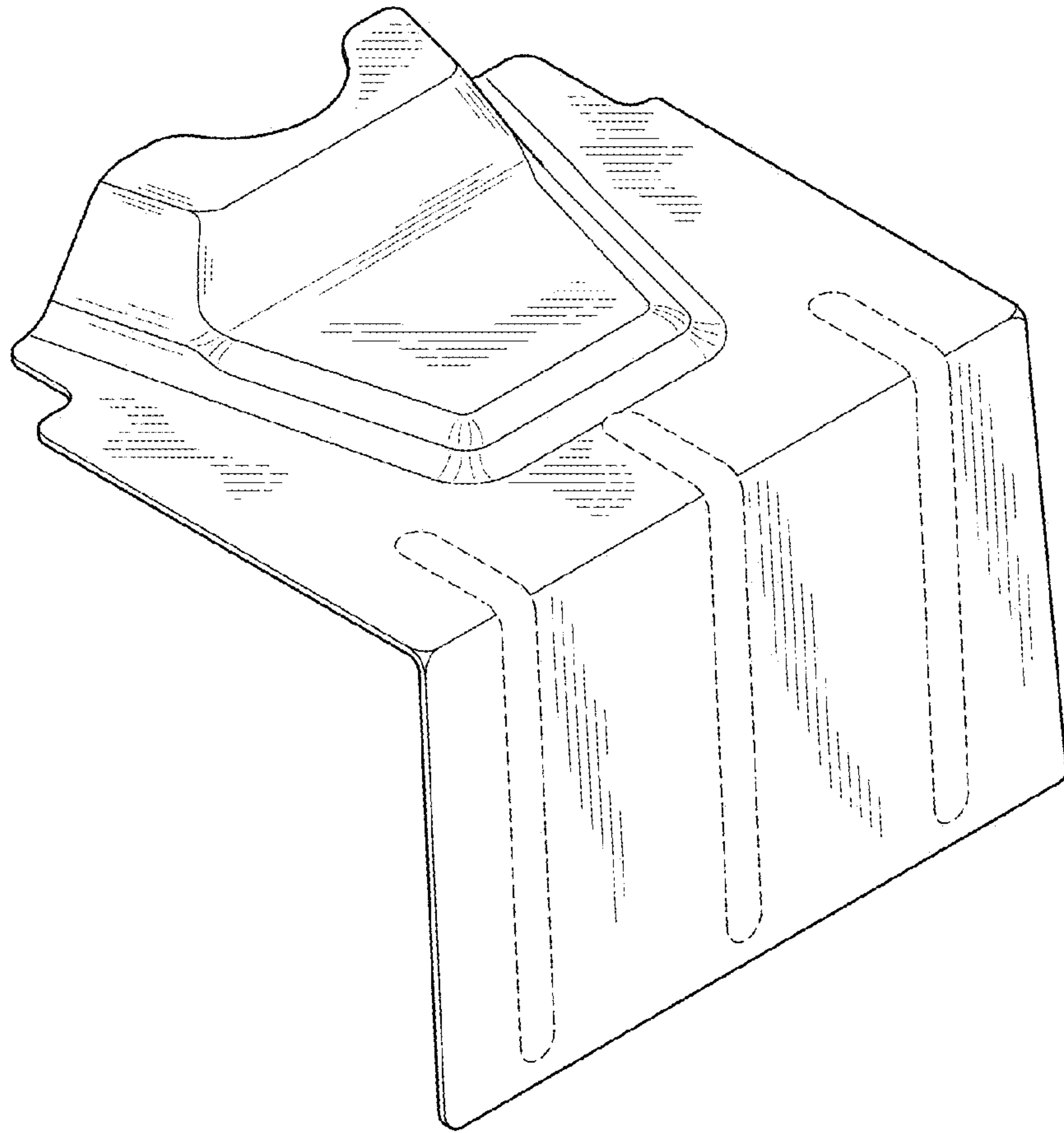


FIG. 1

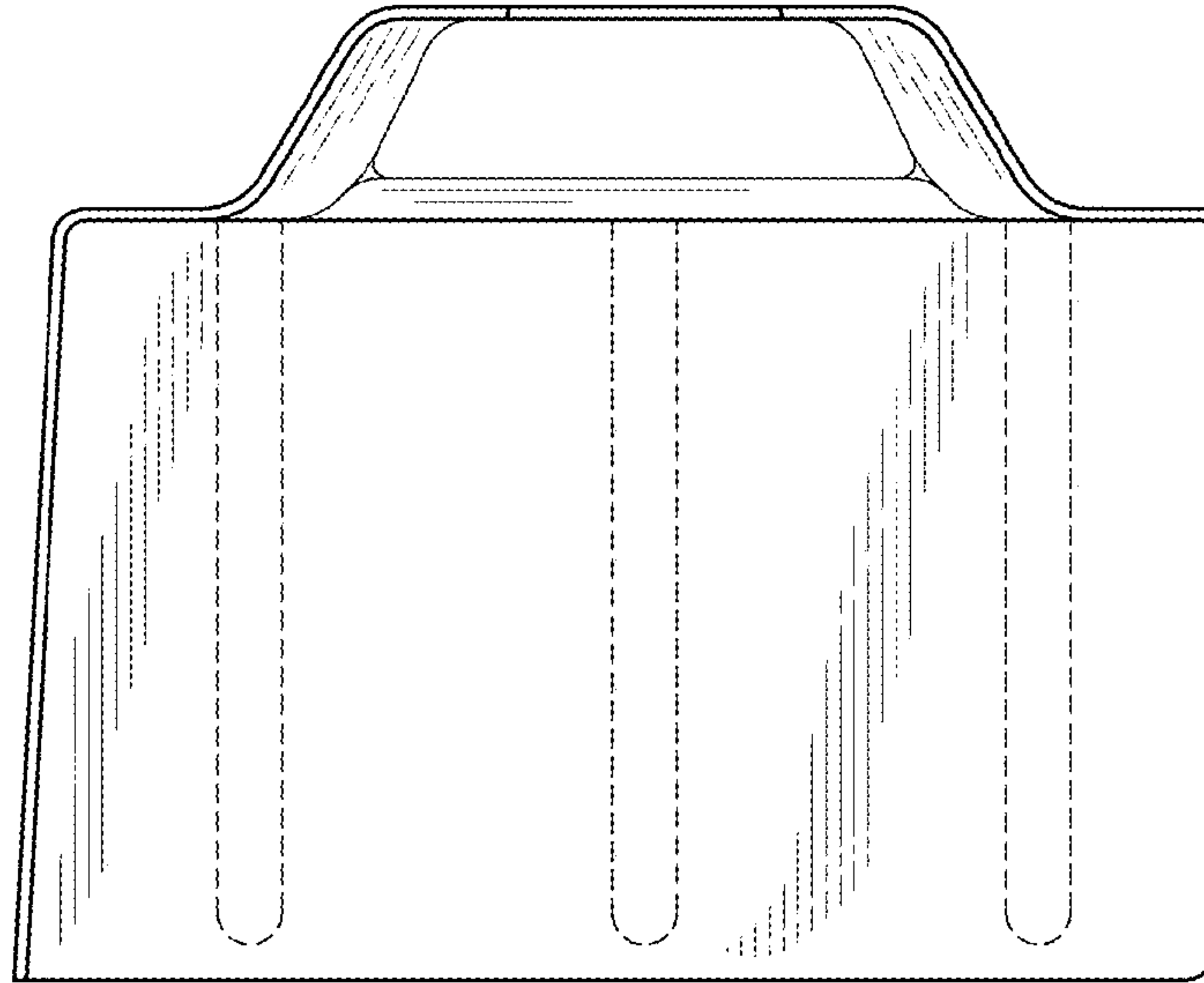


FIG. 2

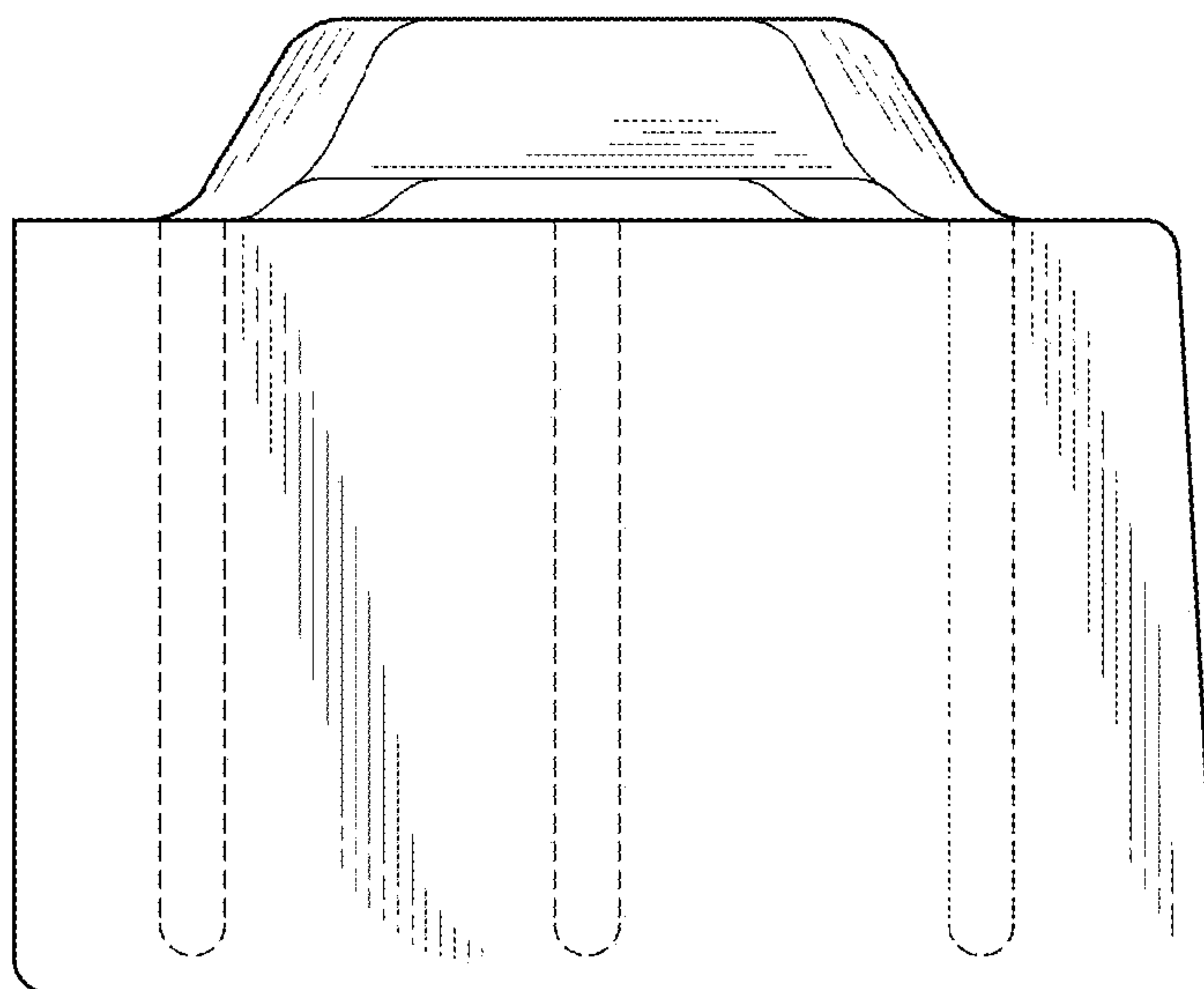


FIG. 3

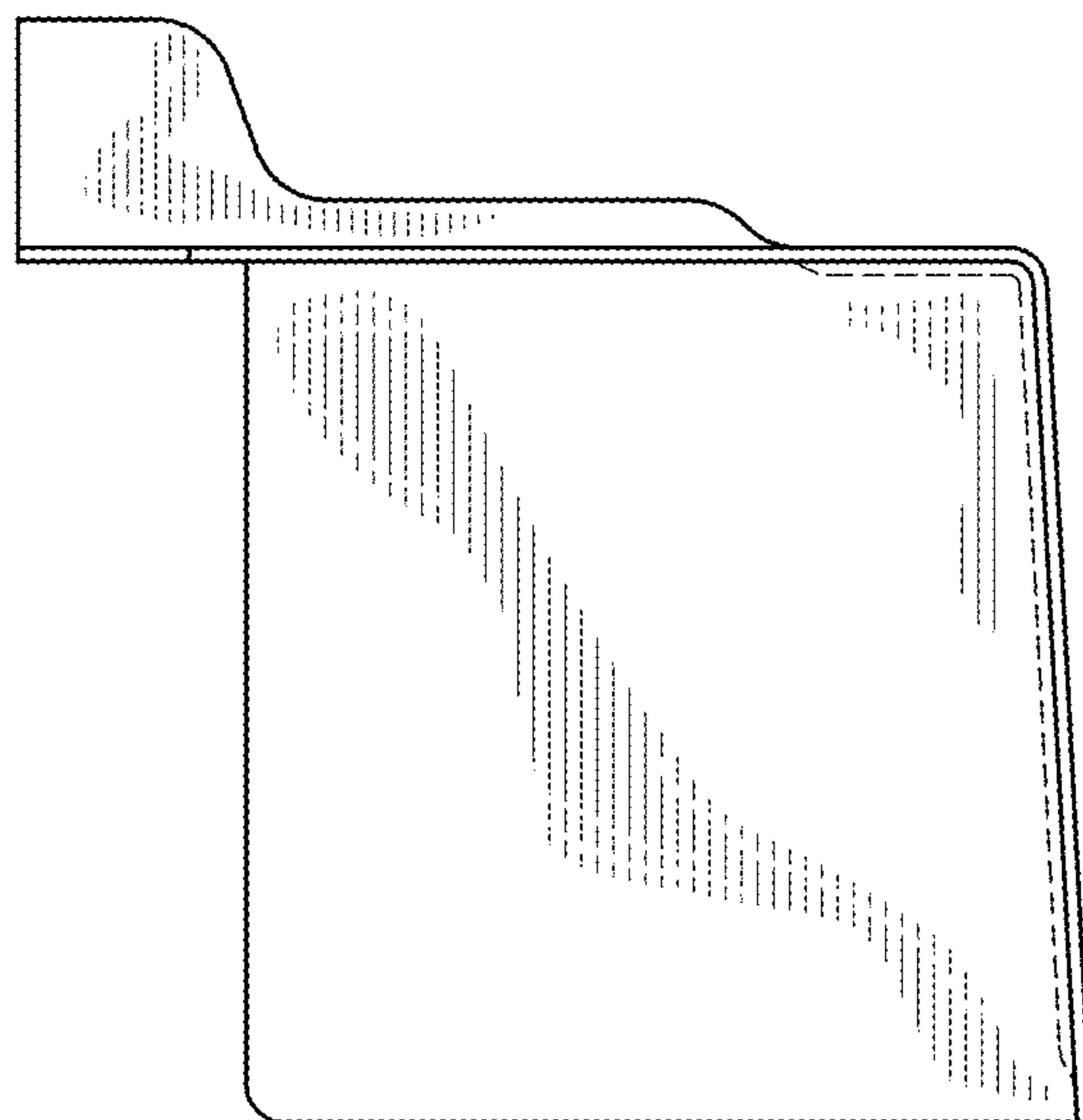


FIG. 4

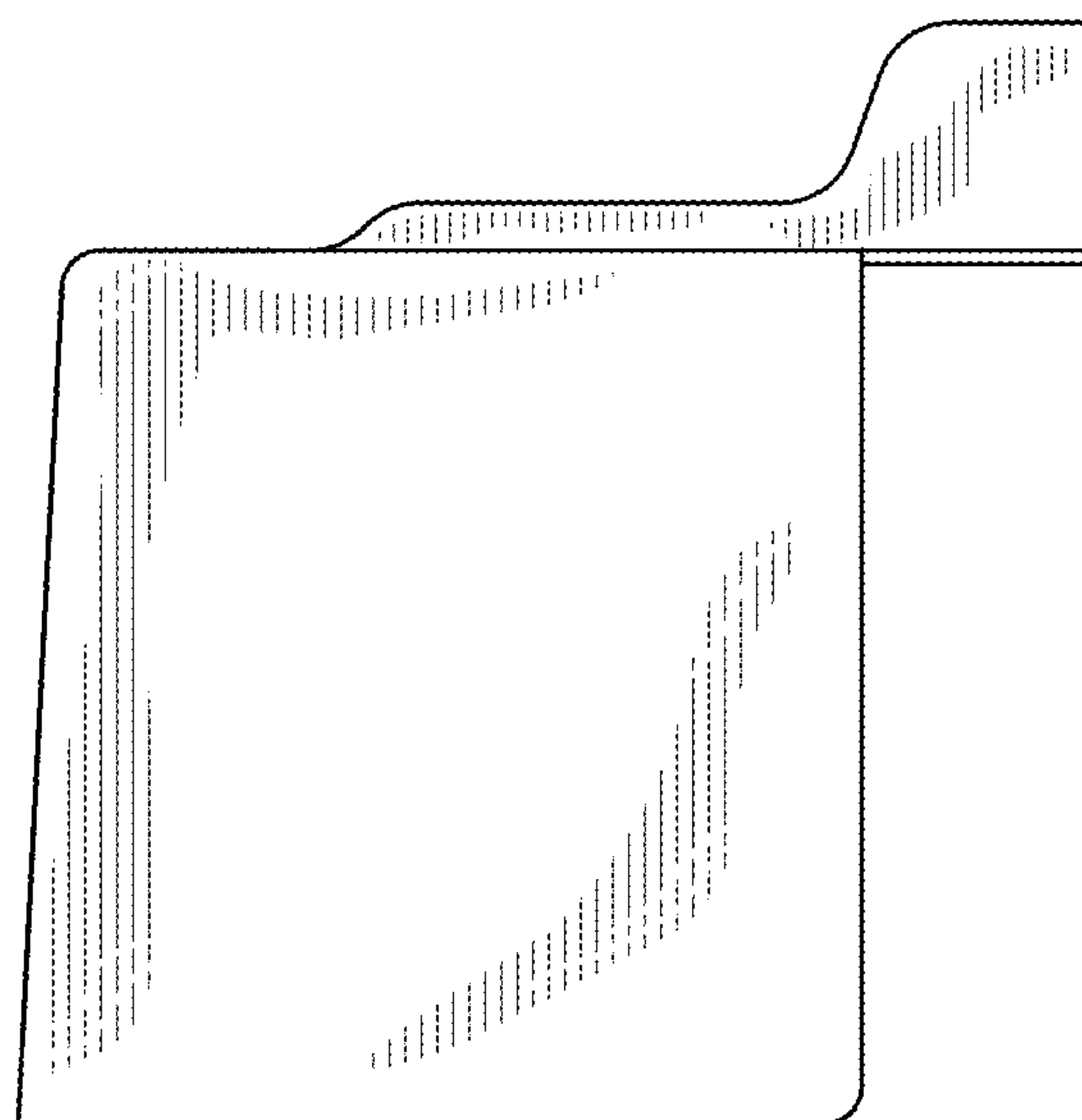


FIG. 5

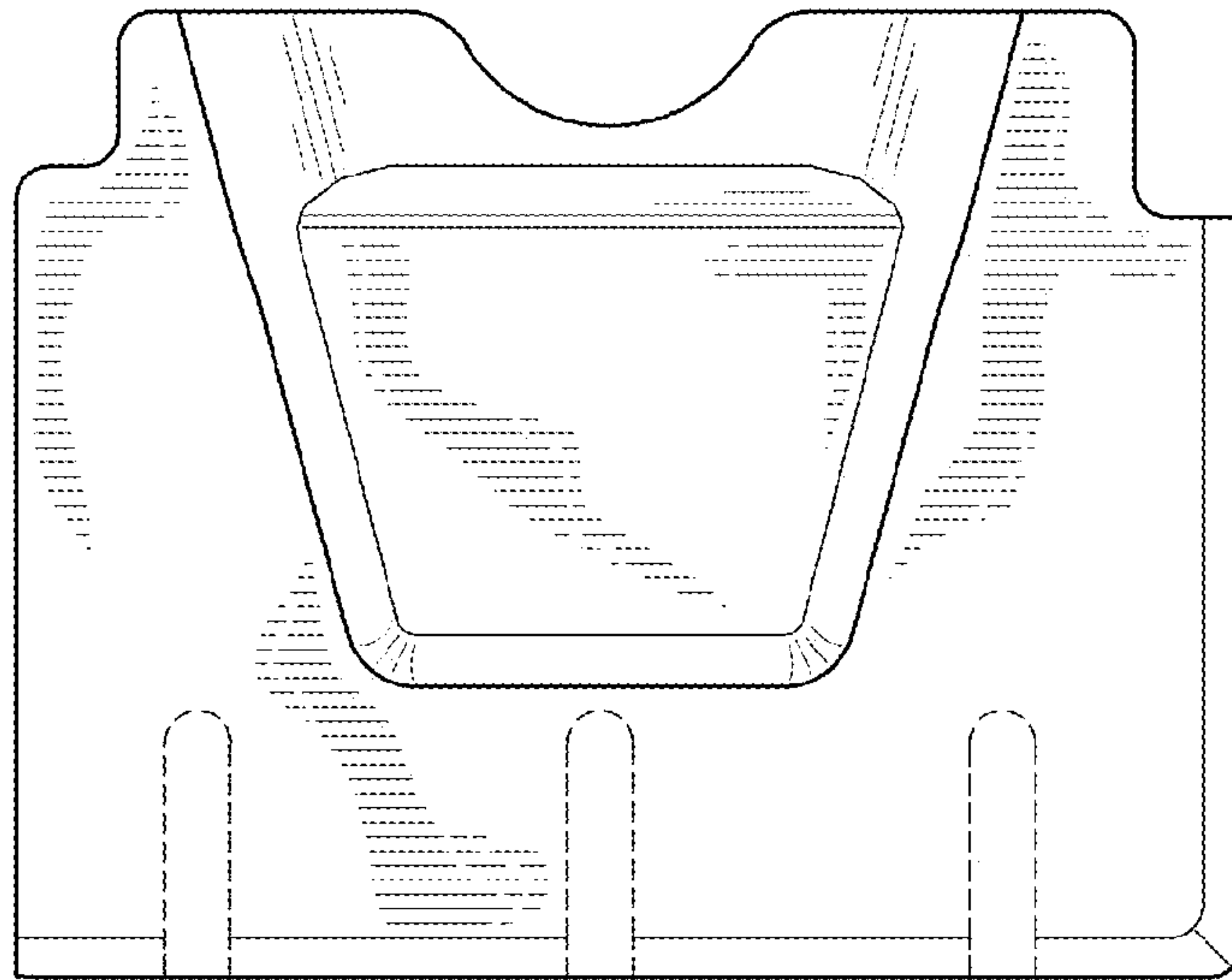


FIG. 6

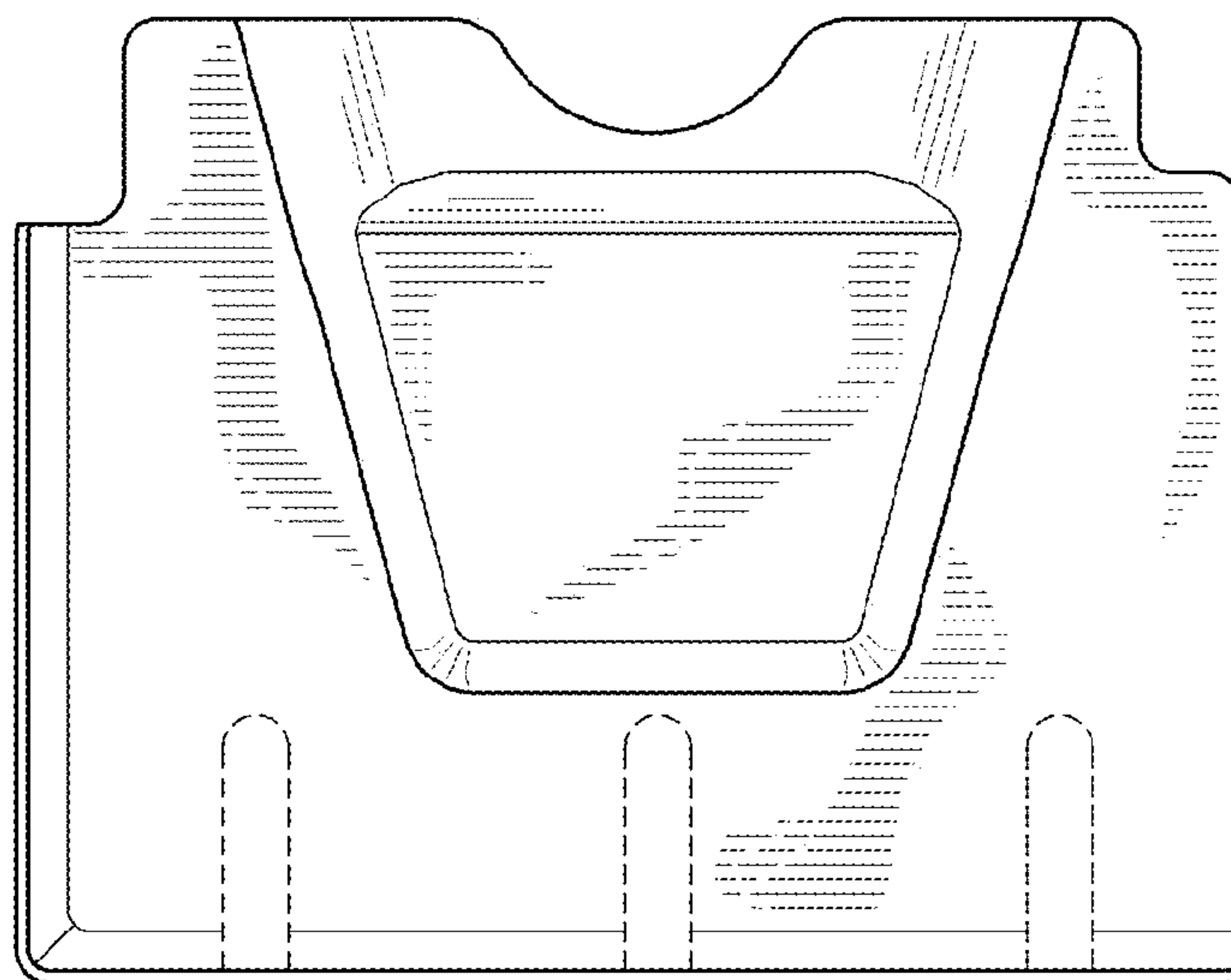


FIG. 7