



US00D684532S

(12) **United States Design Patent**  
**Ignor et al.**

(10) **Patent No.:** **US D684,532 S**  
(45) **Date of Patent:** **\*\* Jun. 18, 2013**

(54) **BATTERY**

(75) Inventors: **Matthew Michael Ignor**, Stratford  
(CA); **Chee-Ming Jimmy Wu**, Waterloo  
(CA); **Philip James Prociw**, Waterloo  
(CA)

(73) Assignee: **Research In Motion Limited**, Waterloo,  
Ontario (CA)

(\*\*) Term: **14 Years**

(21) Appl. No.: **29/429,531**

(22) Filed: **Aug. 13, 2012**

(51) **LOC (9) Cl.** ..... **13-02**

(52) **U.S. Cl.**  
USPC ..... **D13/103**

(58) **Field of Classification Search**  
USPC ..... D13/102–106, 110, 118–121, 184,  
D13/199; 429/96–100, 163, 176  
See application file for complete search history.

(56) **References Cited**

U.S. PATENT DOCUMENTS

D386,742 S \* 11/1997 Amero et al. .... D13/103  
D414,158 S \* 9/1999 Frye et al. .... D13/103  
D414,159 S \* 9/1999 Deslyper et al. .... D13/103

D423,449 S \* 4/2000 Naskali ..... D13/103  
D474,149 S \* 5/2003 Kawahata et al. .... D13/103  
D509,182 S \* 9/2005 Takeshita et al. .... D13/103  
D594,402 S \* 6/2009 Inoue et al. .... D13/103  
D601,494 S \* 10/2009 Otani et al. .... D13/103  
7,655,352 B2 \* 2/2010 Heo et al. .... 429/163  
D642,980 S \* 8/2011 Inaba ..... D13/119  
D645,814 S \* 9/2011 Otani et al. .... D13/103  
D669,427 S \* 10/2012 Ignor et al. .... D13/103  
D674,333 S \* 1/2013 Lemelman et al. .... D13/103

\* cited by examiner

*Primary Examiner* — Rosemary K Tarcza

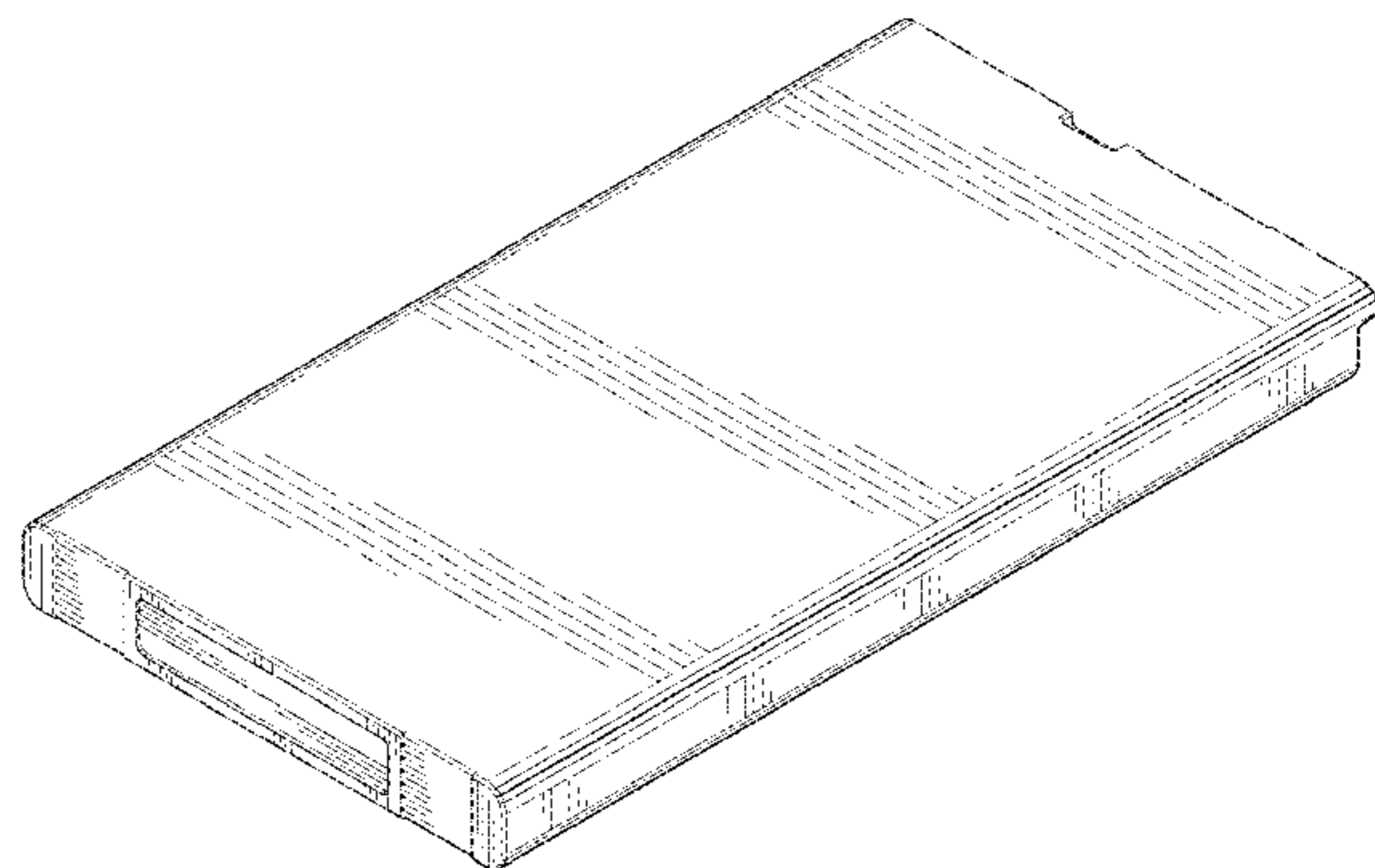
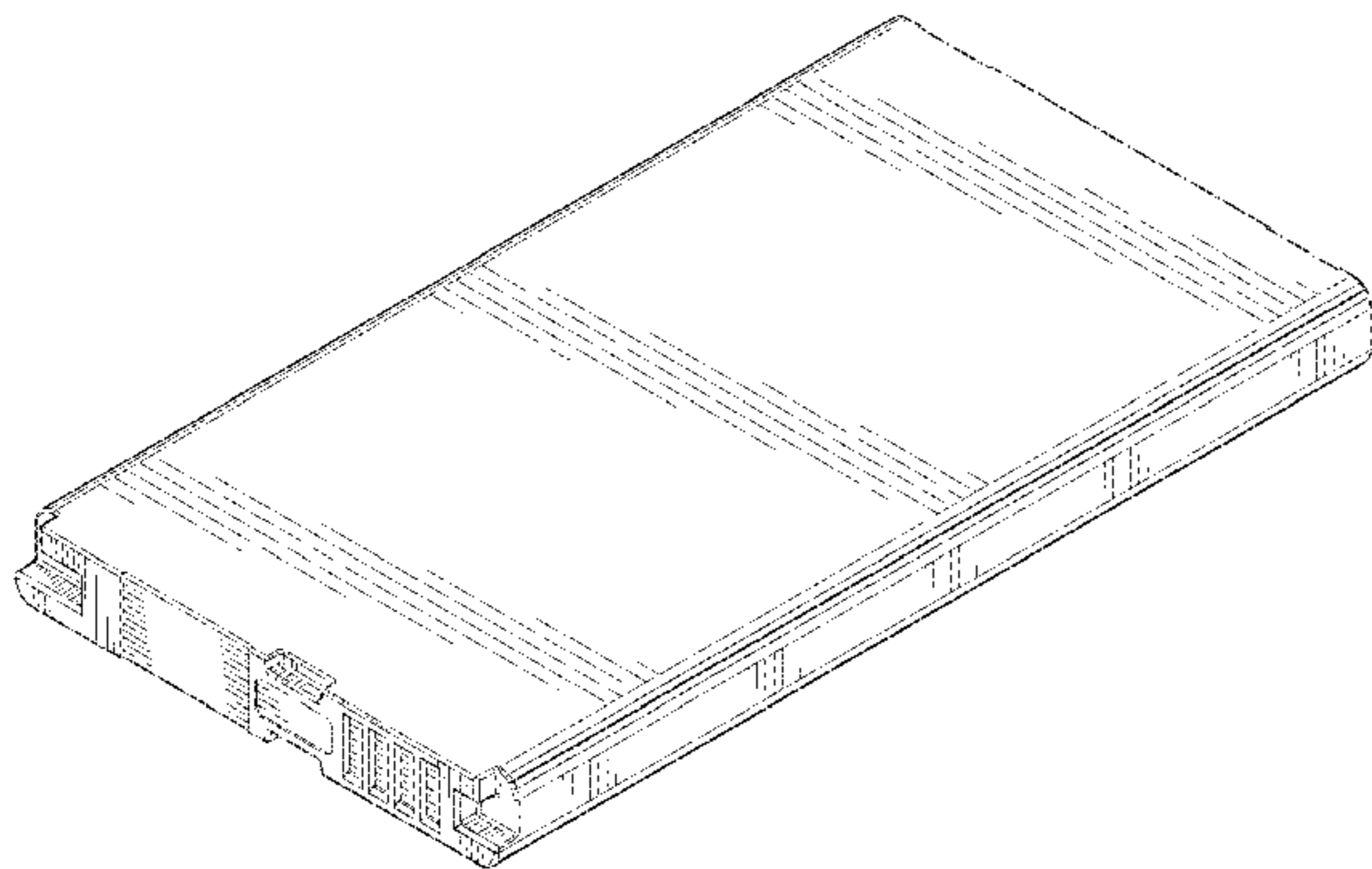
(57) **CLAIM**

We claim the ornamental design for a battery, as shown and described.

**DESCRIPTION**

FIG. 1 is a front perspective view of a battery;  
FIG. 2 is a back bottom perspective view of the battery;  
FIG. 3 is a top plan view thereof;  
FIG. 4 is a bottom plan view thereof;  
FIG. 5 is a back elevational view thereof;  
FIG. 6 is a front elevational view thereof;  
FIG. 7 is a right elevational view thereof; and,  
FIG. 8 is a left elevational view thereof.

**1 Claim, 6 Drawing Sheets**



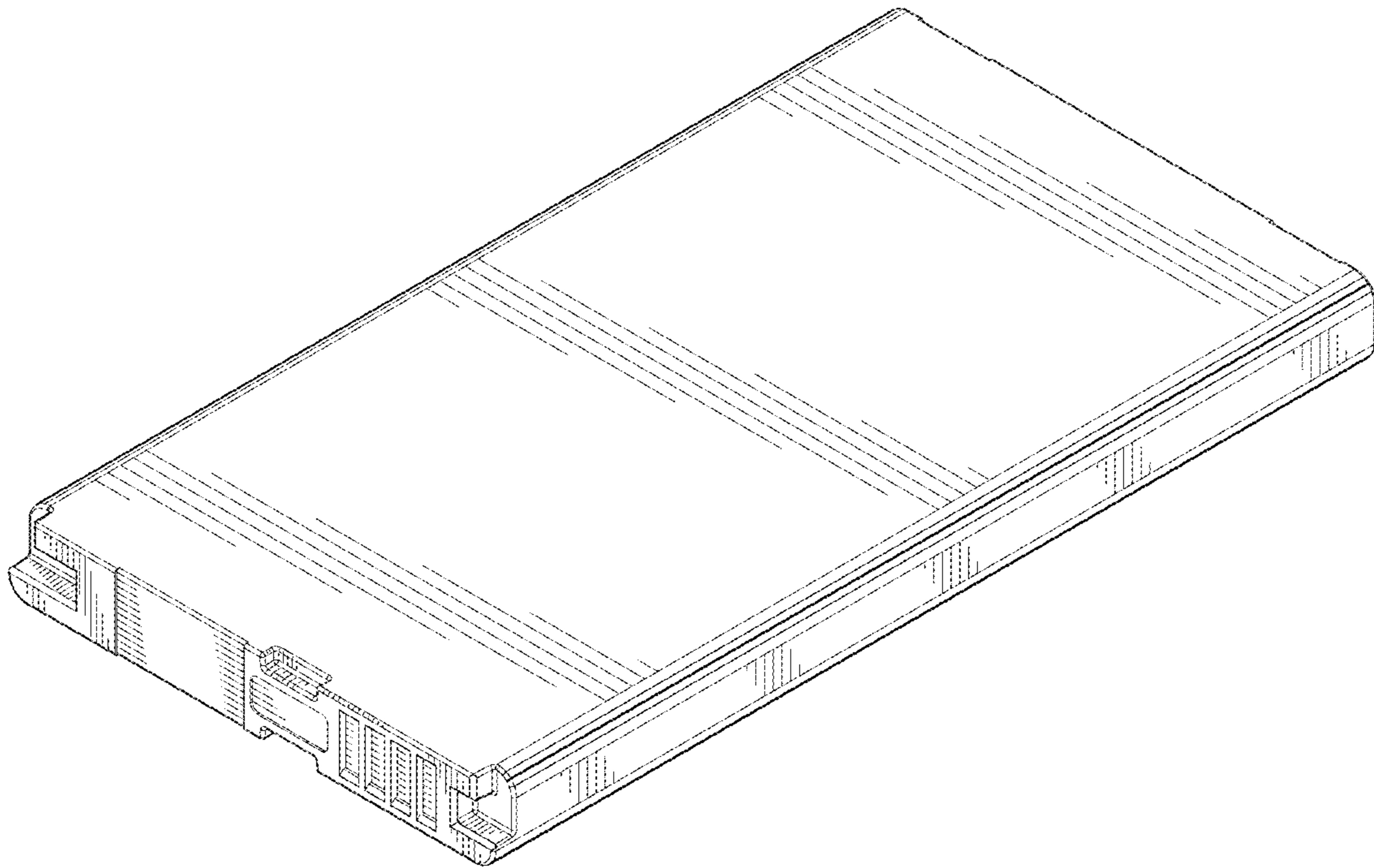


FIG.1

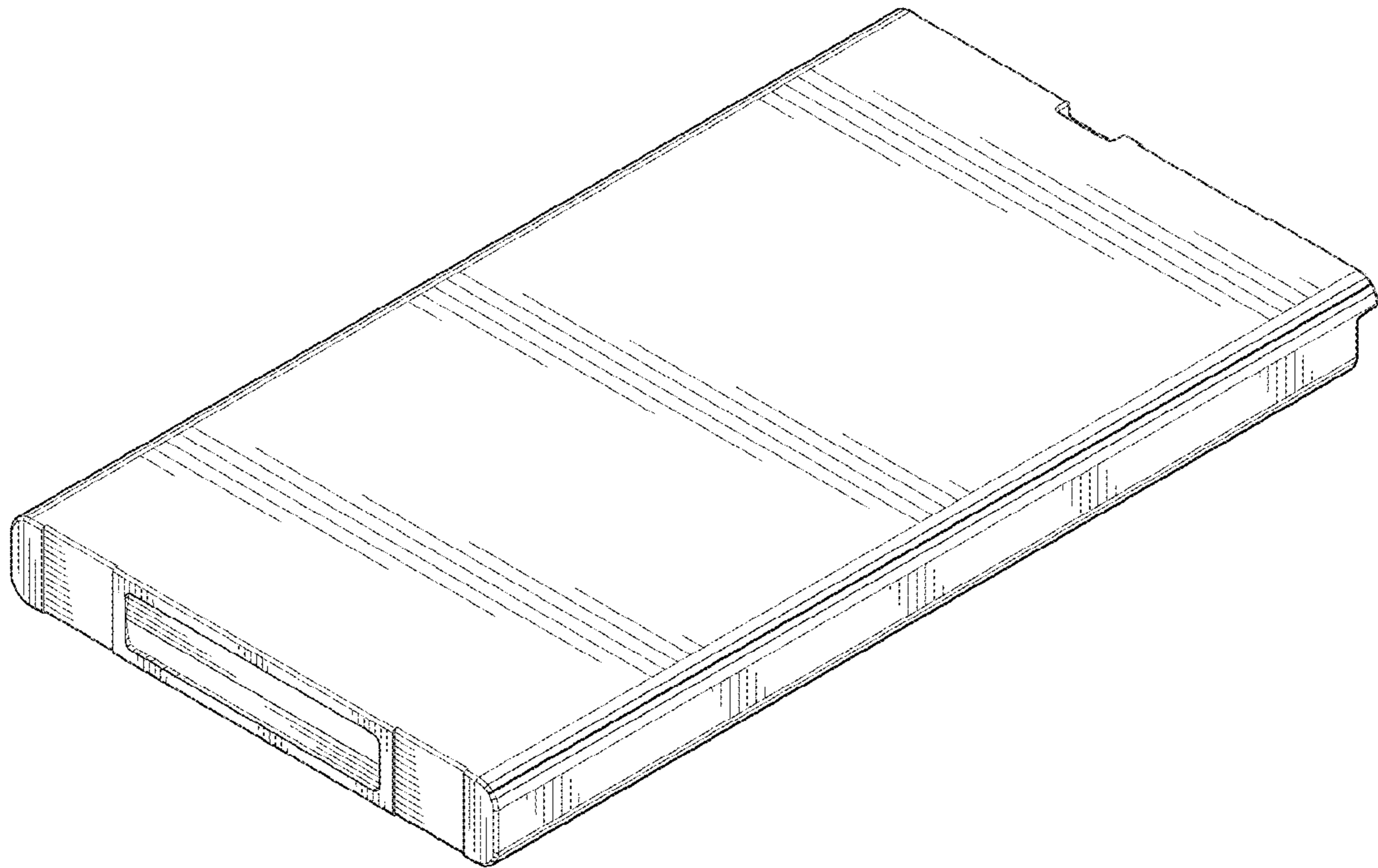


FIG.2

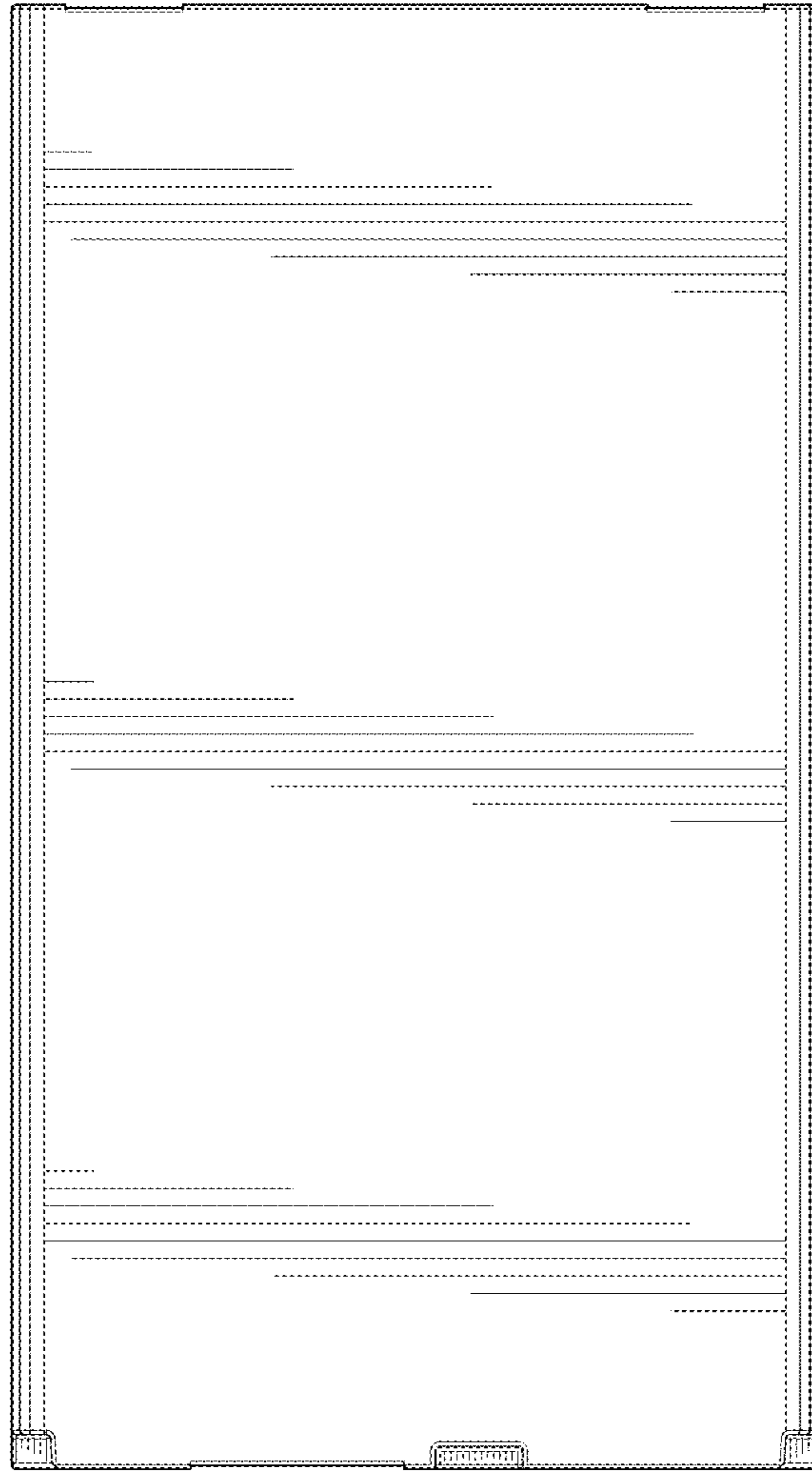


FIG.3

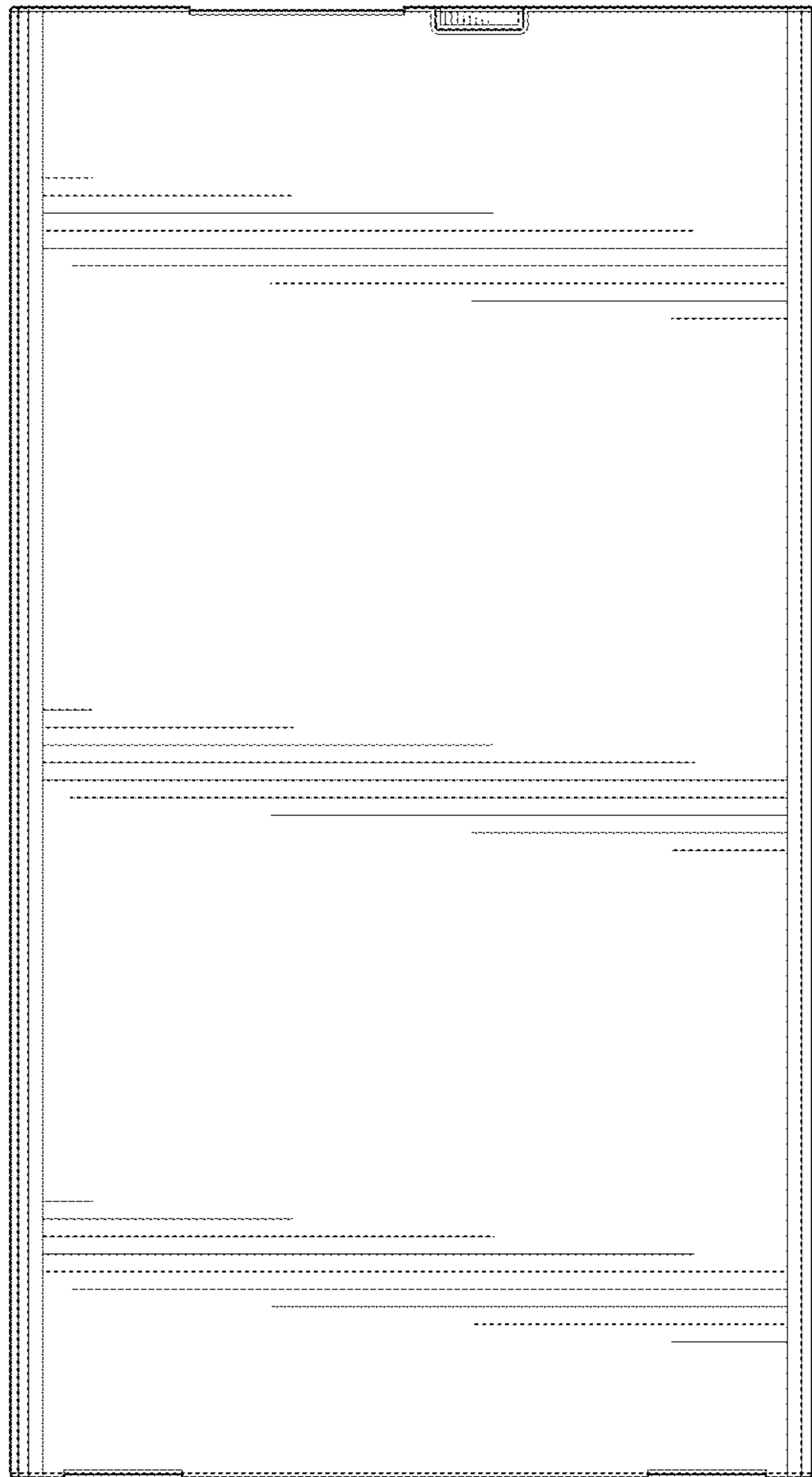


FIG.4

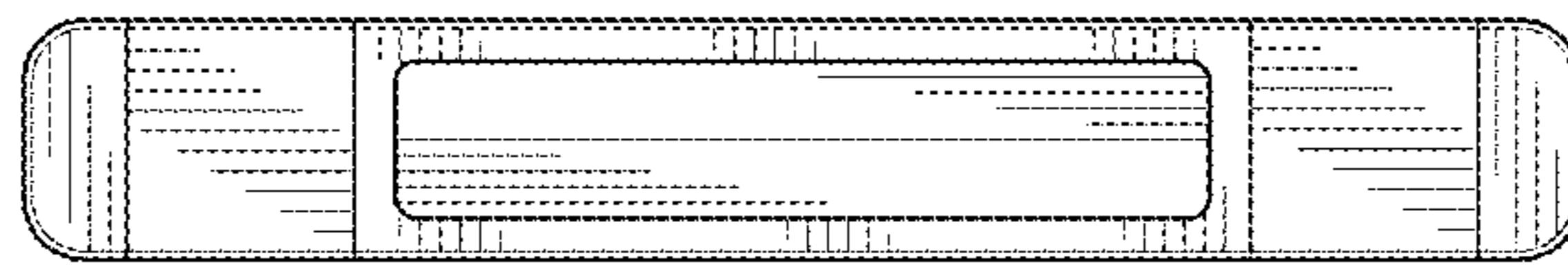


FIG. 5

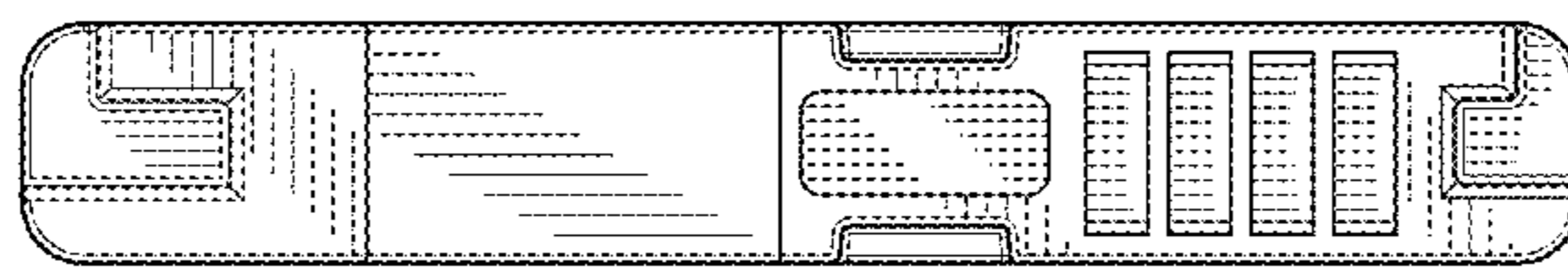


FIG. 6

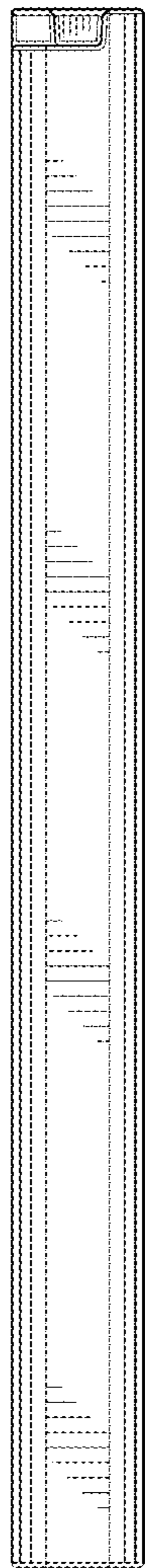


FIG. 7

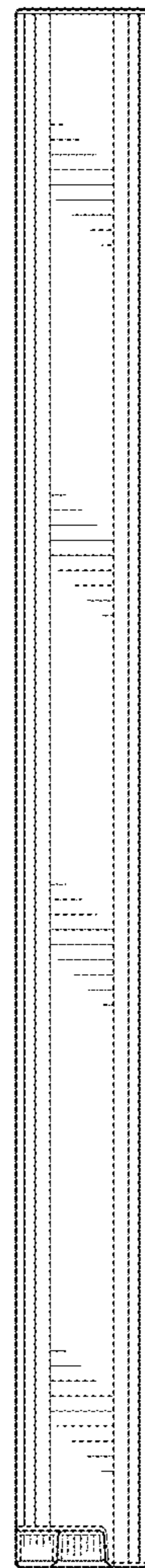


FIG. 8