



US00D684529S

(12) **United States Design Patent**
Moon et al.

(10) **Patent No.:** **US D684,529 S**
(45) **Date of Patent:** **** Jun. 18, 2013**

(54) **BATTERY**
(75) Inventors: **Dae-Yon Moon**, Yongin-si (KR);
Sang-Jin Park, Yongin-si (KR)
(73) Assignee: **Samsung SDI Co., Ltd.**, Yongin-si (KR)
(**) Term: **14 Years**
(21) Appl. No.: **29/417,927**

(22) Filed: **Apr. 10, 2012**

(30) **Foreign Application Priority Data**

Oct. 12, 2011 (KR) 30-2011-0042371

(51) **LOC (9) Cl.** **13-02**

(52) **U.S. Cl.**
USPC **D13/103**

(58) **Field of Classification Search**
USPC D13/102–106, 110, 118–119, 184;
429/96–100, 163, 176
See application file for complete search history.

(56) **References Cited**

U.S. PATENT DOCUMENTS

D386,742 S * 11/1997 Amero et al. D13/103
D422,263 S * 4/2000 Waldner D13/103
D440,201 S * 4/2001 Huynh et al. D13/103

D481,995 S * 11/2003 Yokota D13/103
D515,026 S * 2/2006 Schlieffers et al. D13/103
D524,241 S * 7/2006 Takeshita et al. D13/103
D532,363 S * 11/2006 Morisawa D13/103
D642,980 S * 8/2011 Inaba D13/119
D644,988 S * 9/2011 Finney et al. D13/103
D649,933 S * 12/2011 Wang et al. D13/110
D661,249 S * 6/2012 Smith et al. D13/110
D666,148 S * 8/2012 Inaba D13/119
D669,427 S * 10/2012 Ignor et al. D13/103

* cited by examiner

Primary Examiner — Rosemary K Tarcza

(74) *Attorney, Agent, or Firm* — Christie, Parker & Hale, LLP

(57) **CLAIM**

The ornamental design for a battery, as shown and described.

DESCRIPTION

FIG. 1 is a front perspective view of the battery;
FIG. 2 a front elevational view thereof;
FIG. 3 is a rear elevational view thereof;
FIG. 4 is a left side view thereof;
FIG. 5 is a right side view thereof;
FIG. 6 is a plan view thereof;
FIG. 7 is a bottom view thereof; and,
FIG. 8 is a reference expanded view of portions A of the battery shown in FIG. 7.

1 Claim, 4 Drawing Sheets

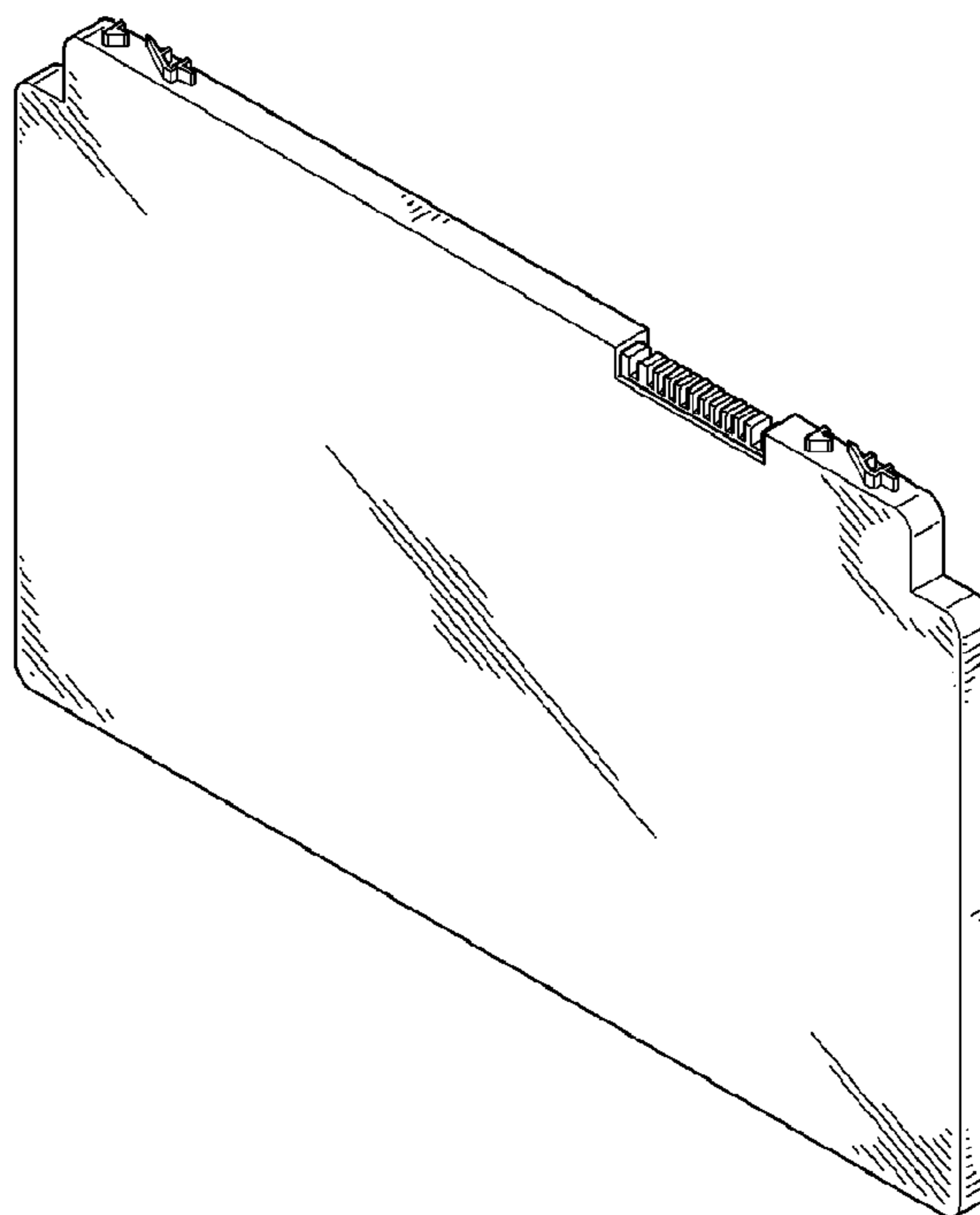


FIG. 1

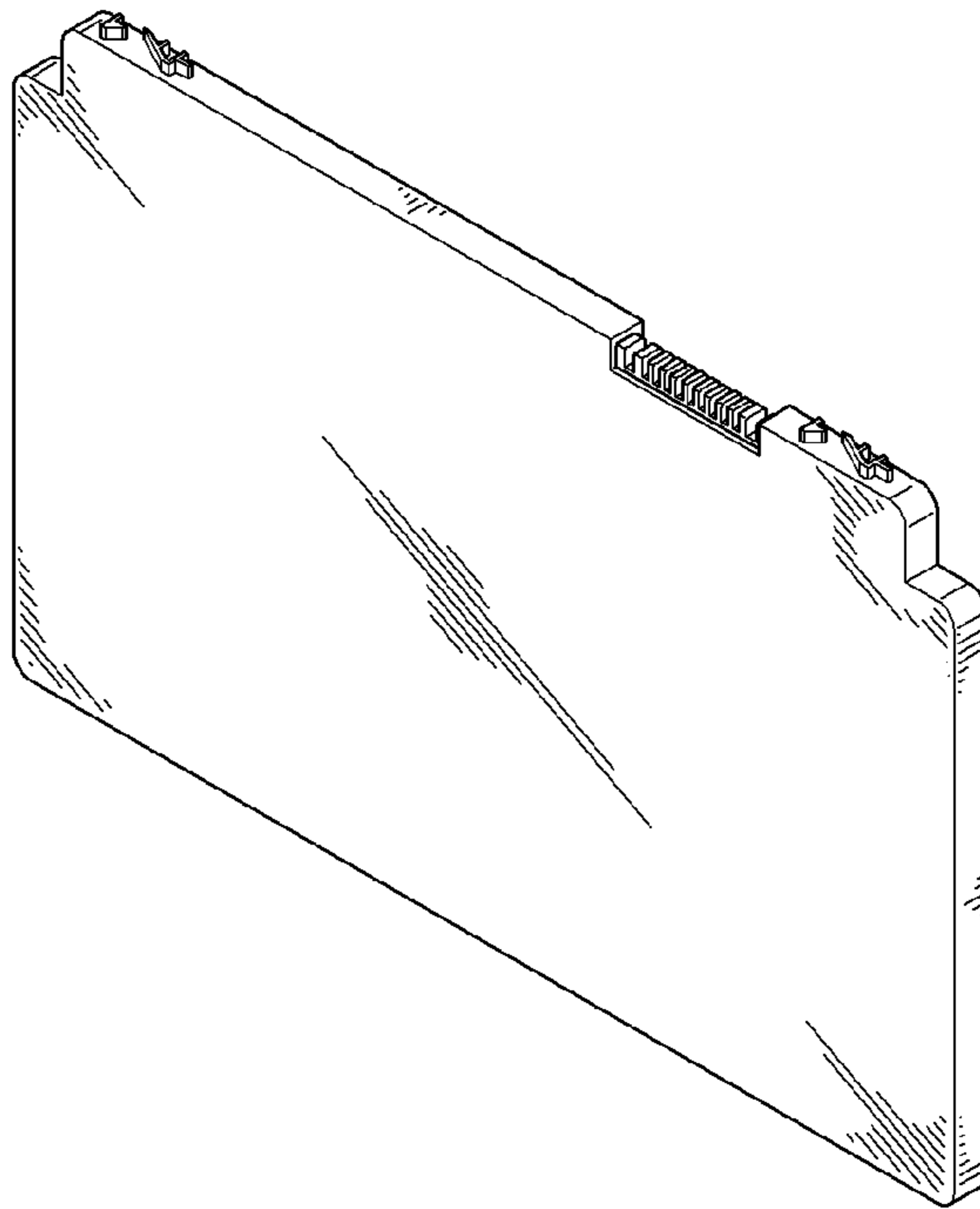


FIG. 2

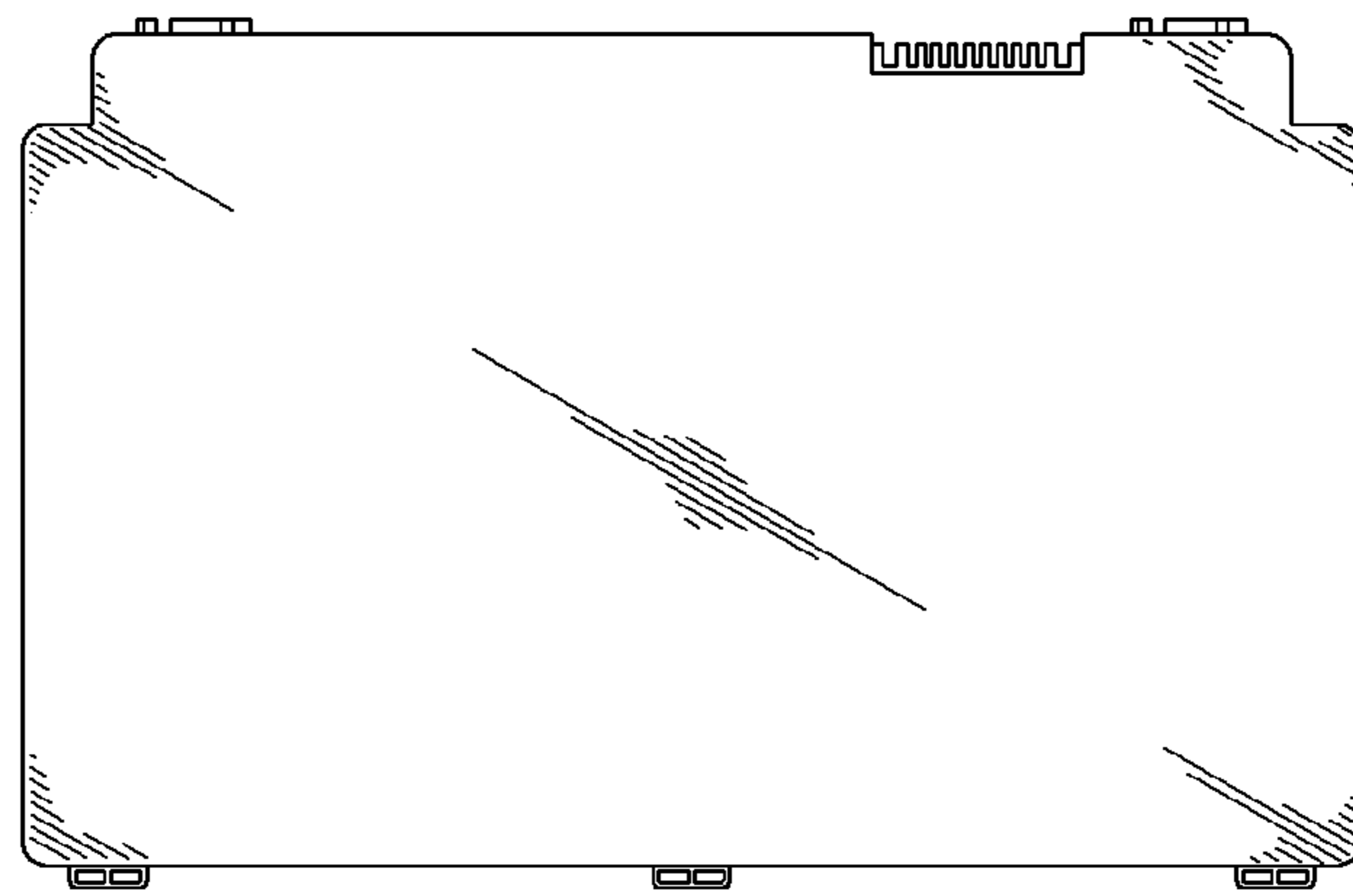


FIG. 3

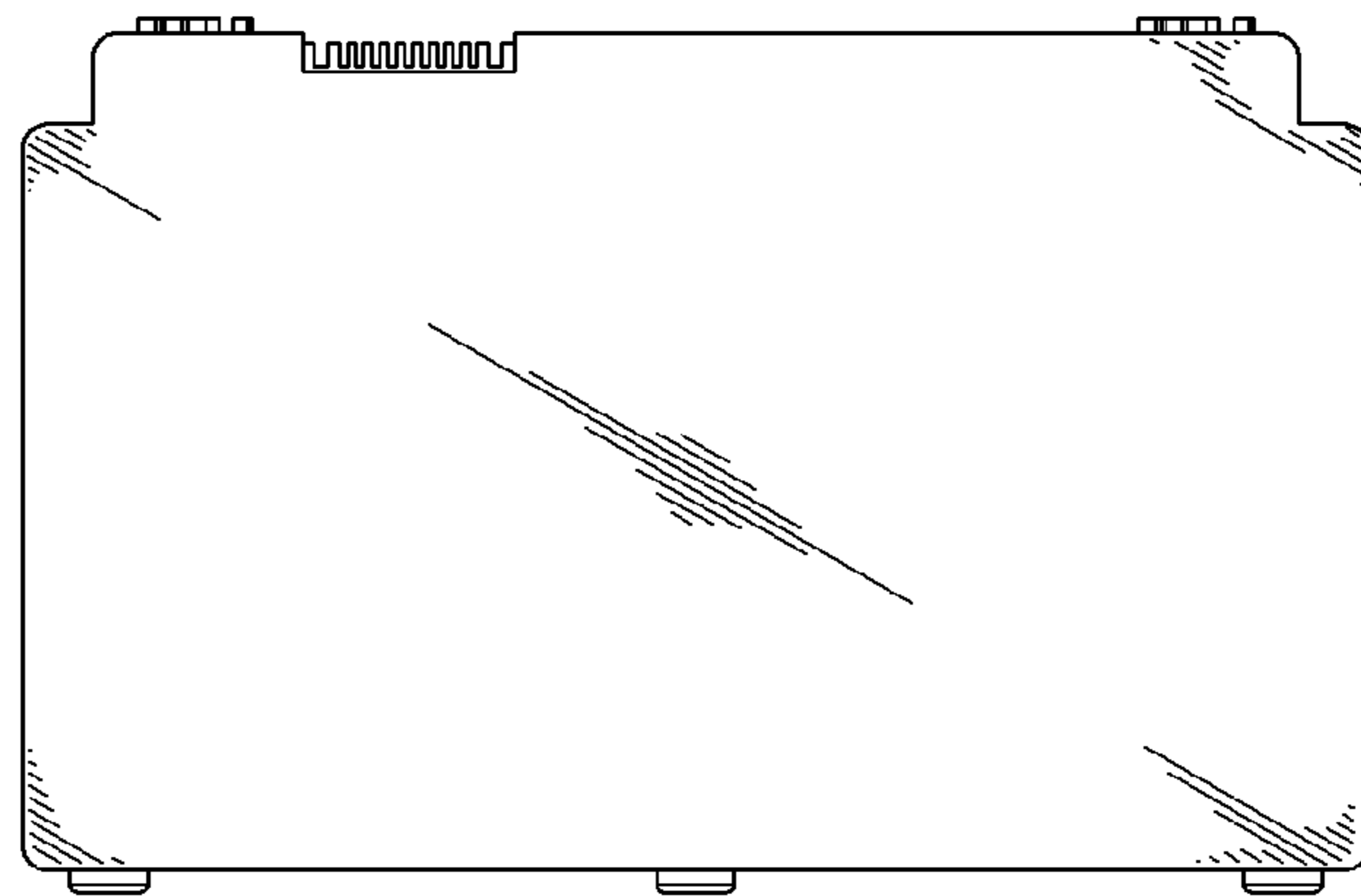


FIG. 4



FIG. 5

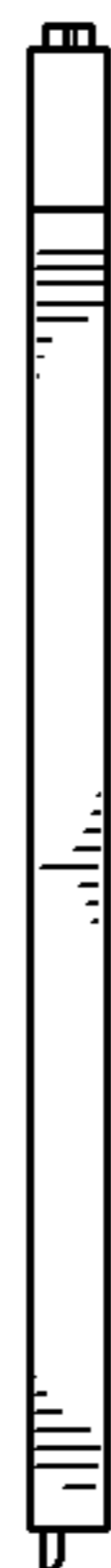


FIG. 6

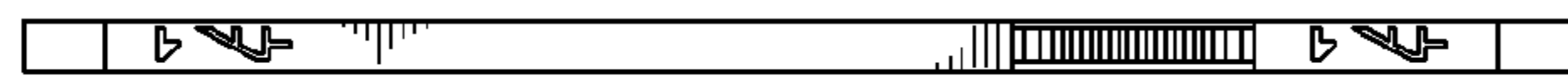


FIG. 7

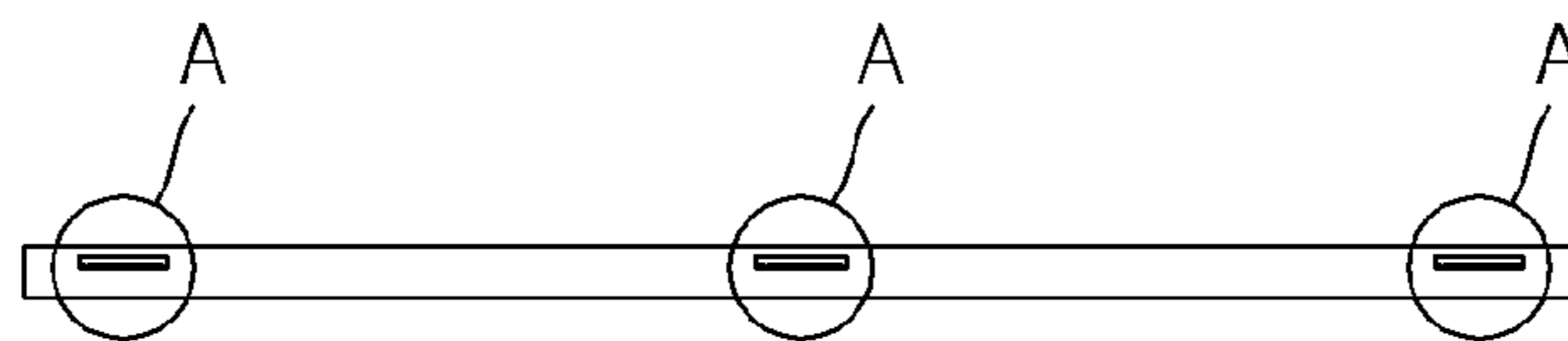


FIG. 8

