



US00D684528S

(12) **United States Design Patent**
Murray

(10) **Patent No.:** **US D684,528 S**
(45) **Date of Patent:** **** Jun. 18, 2013**

(54) **BATTERY PACK FOR A POWER TOOL**

D640,628 S * 6/2011 Lopano et al. D13/103
D643,809 S * 8/2011 Okuda et al. D13/103
D658,578 S * 5/2012 Davis D13/103

(75) Inventor: **Thomas W. Murray**, Baltimore, MD
(US)

* cited by examiner

(73) Assignee: **Black & Decker Inc.**, Newark, DE (US)

Primary Examiner — Rosemary K Tarcza

(**) Term: **14 Years**

(74) *Attorney, Agent, or Firm* — Stephen R. Valancius

(21) Appl. No.: **29/392,064**

(57) **CLAIM**

The ornamental design for a battery pack for a power tool, as shown and described.

(22) Filed: **May 17, 2011**

DESCRIPTION

(51) **LOC (9) Cl.** **13-02**

(52) **U.S. Cl.**
USPC **D13/103**

(58) **Field of Classification Search**
USPC D13/102–106, 110, 118–119, 184;
429/96–100, 163, 176

See application file for complete search history.

(56) **References Cited**

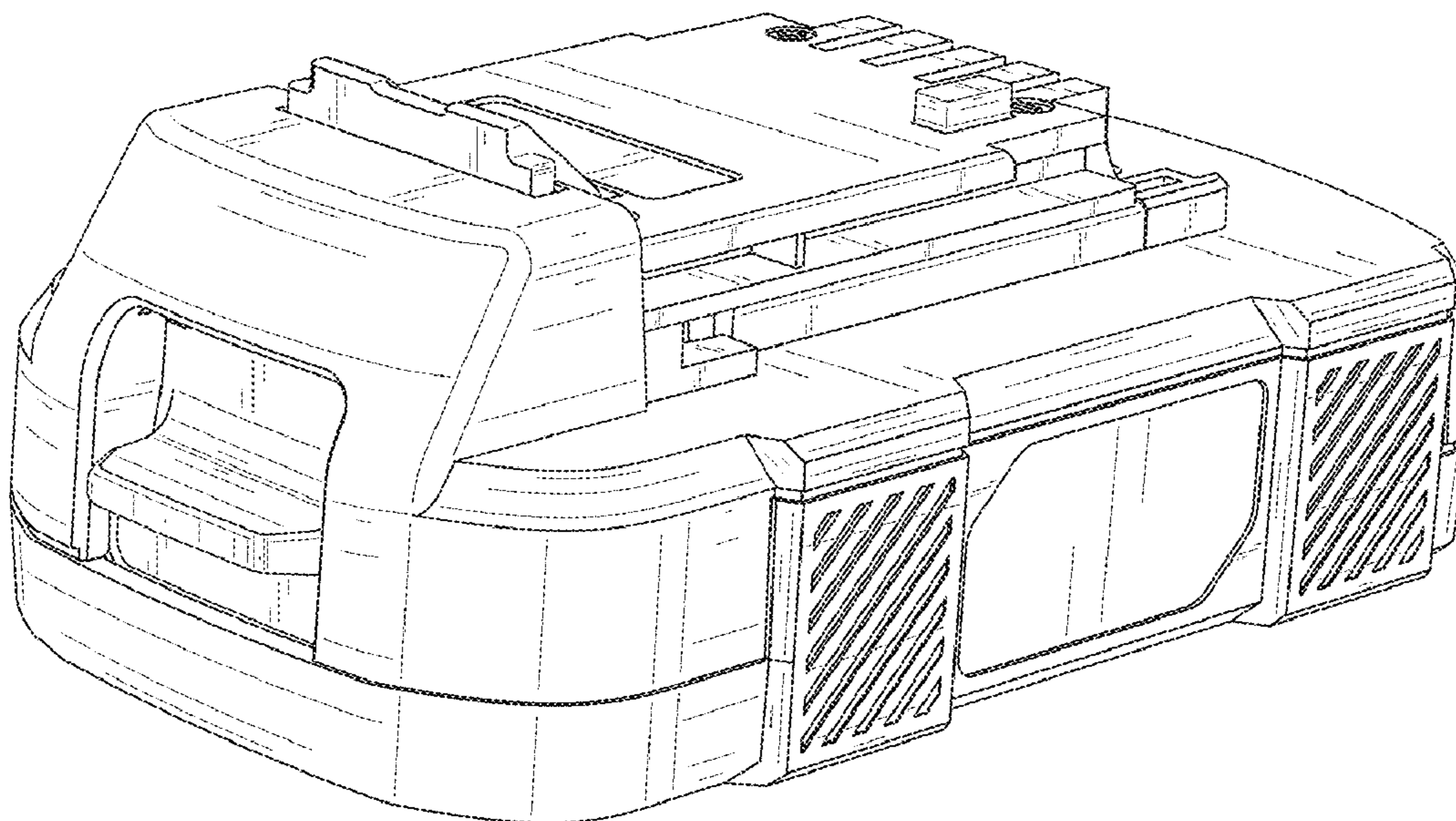
U.S. PATENT DOCUMENTS

D481,672 S *	11/2003	Niwa et al.	D13/103
D545,759 S *	7/2007	Ino et al.	D13/103
D550,152 S *	9/2007	Okuda et al.	D13/103
D555,086 S *	11/2007	Zhang	D13/103
D562,227 S *	2/2008	Yamada et al.	D13/103
D589,441 S *	3/2009	Van Wambeke	D13/103
D610,082 S *	2/2010	Sweeney	D13/103
D622,661 S *	8/2010	Yamada et al.	D13/103
D633,036 S *	2/2011	Murray	D13/103

FIG. 1 is a perspective view of a battery pack for a power tool according to the present invention;
FIG. 2 is a front view of the battery pack for a power tool of FIG. 1;
FIG. 3 is a back view of the battery pack for a power tool of FIG. 1;
FIG. 4 is a right side view of the battery pack for a power tool of FIG. 1;
FIG. 5 is a left side view of the battery pack for a power tool of FIG. 1;
FIG. 6 is a top view of the battery pack for a power tool of FIG. 1; and,
FIG. 7 is a bottom view of the battery pack for a power tool of FIG. 1.

The broken lines in the figures illustrate features that form no part of the claimed design.

1 Claim, 5 Drawing Sheets



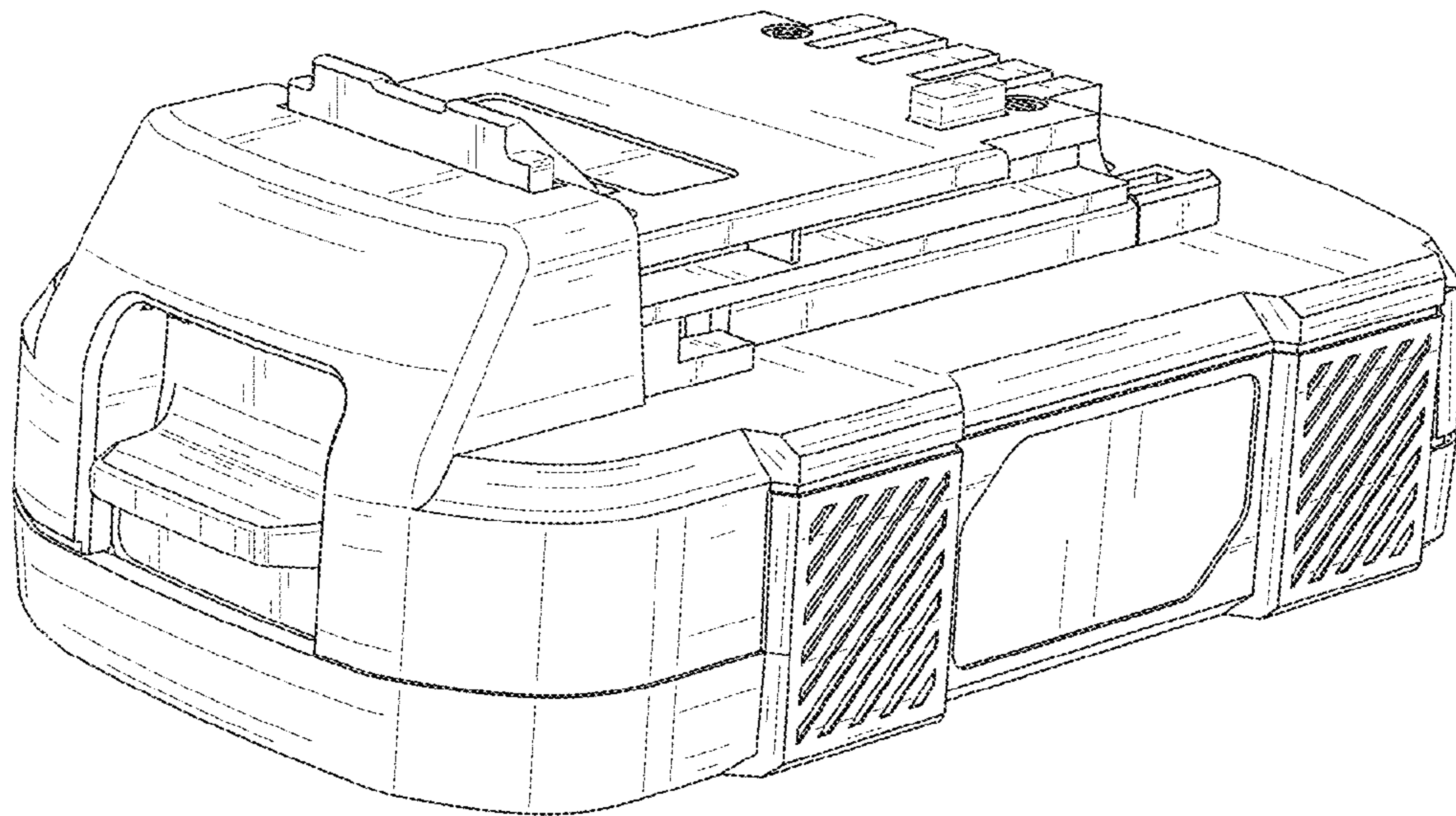


FIG. 1

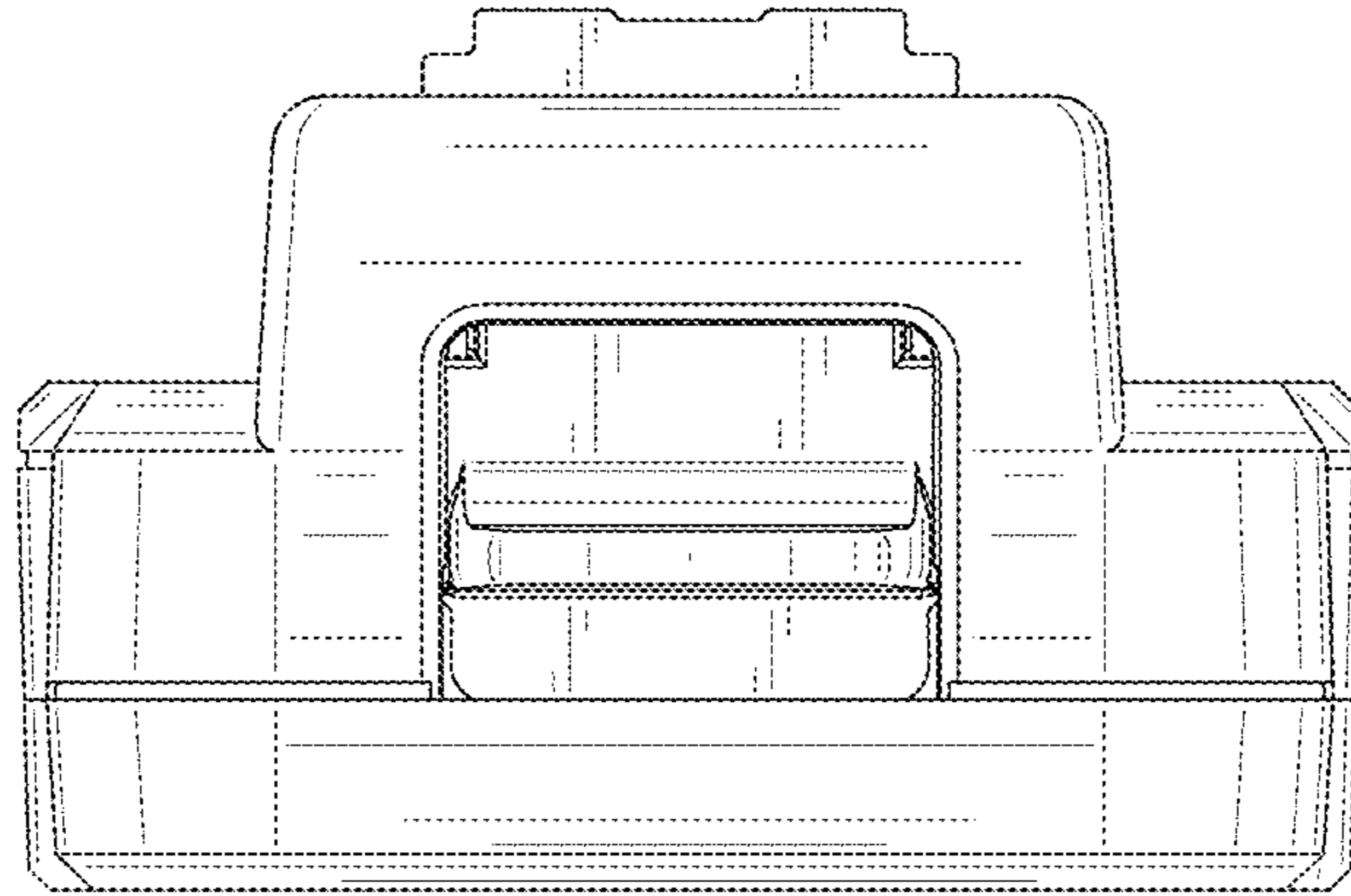


FIG. 2

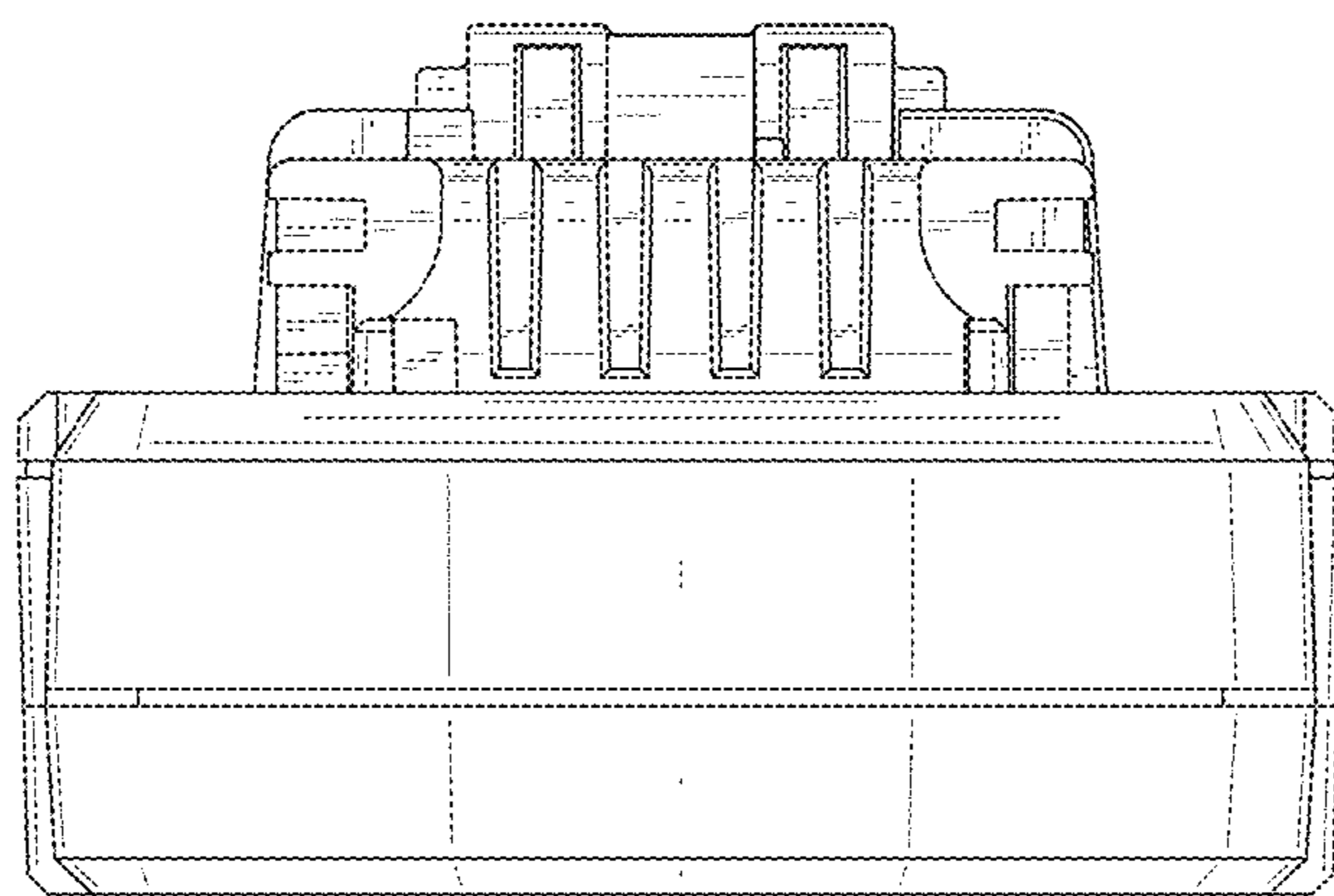


FIG. 3

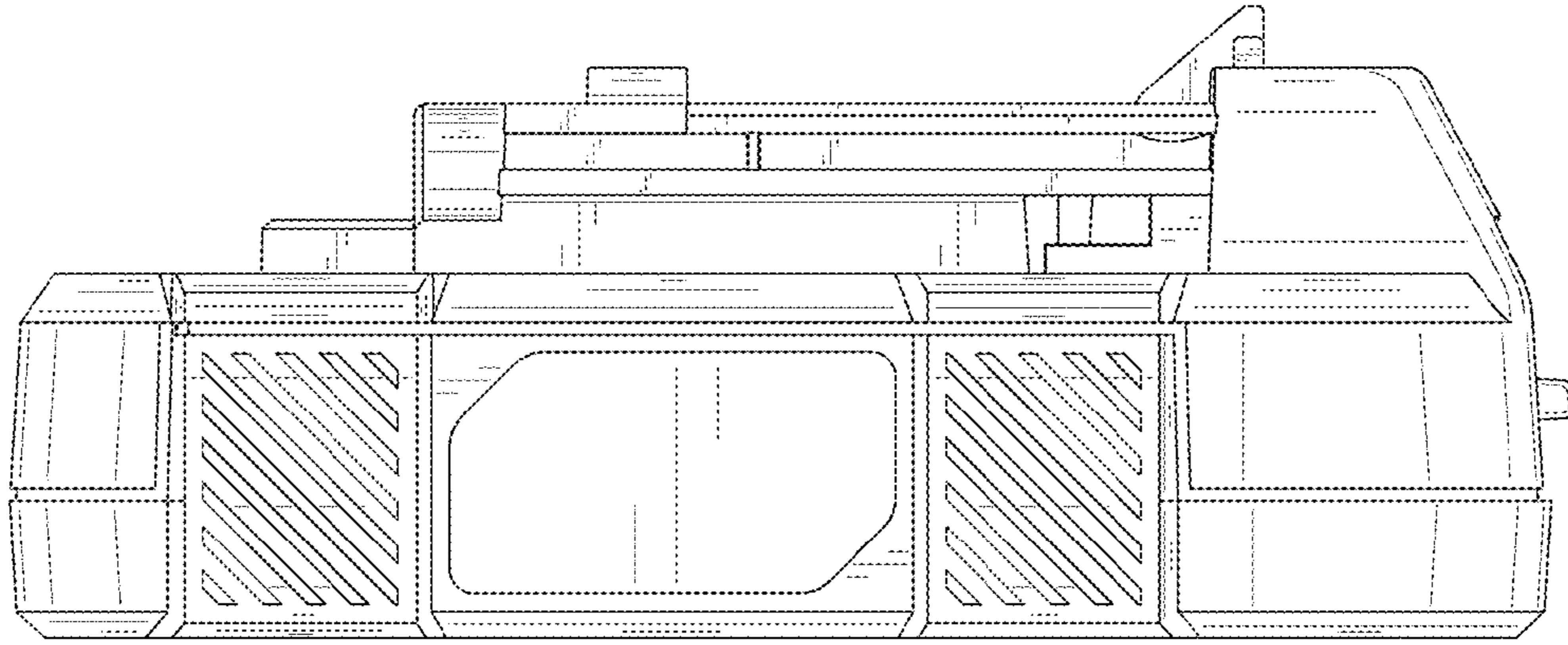


FIG. 4

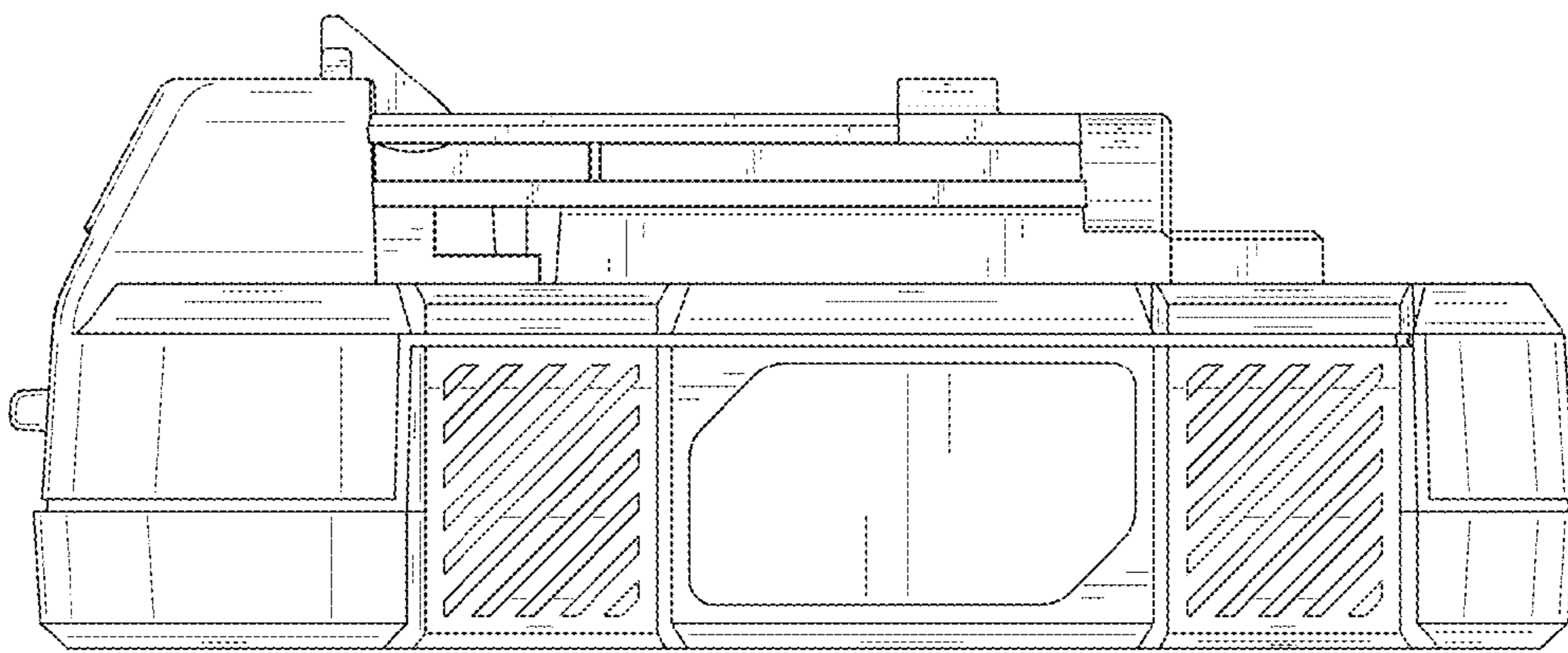


FIG. 5

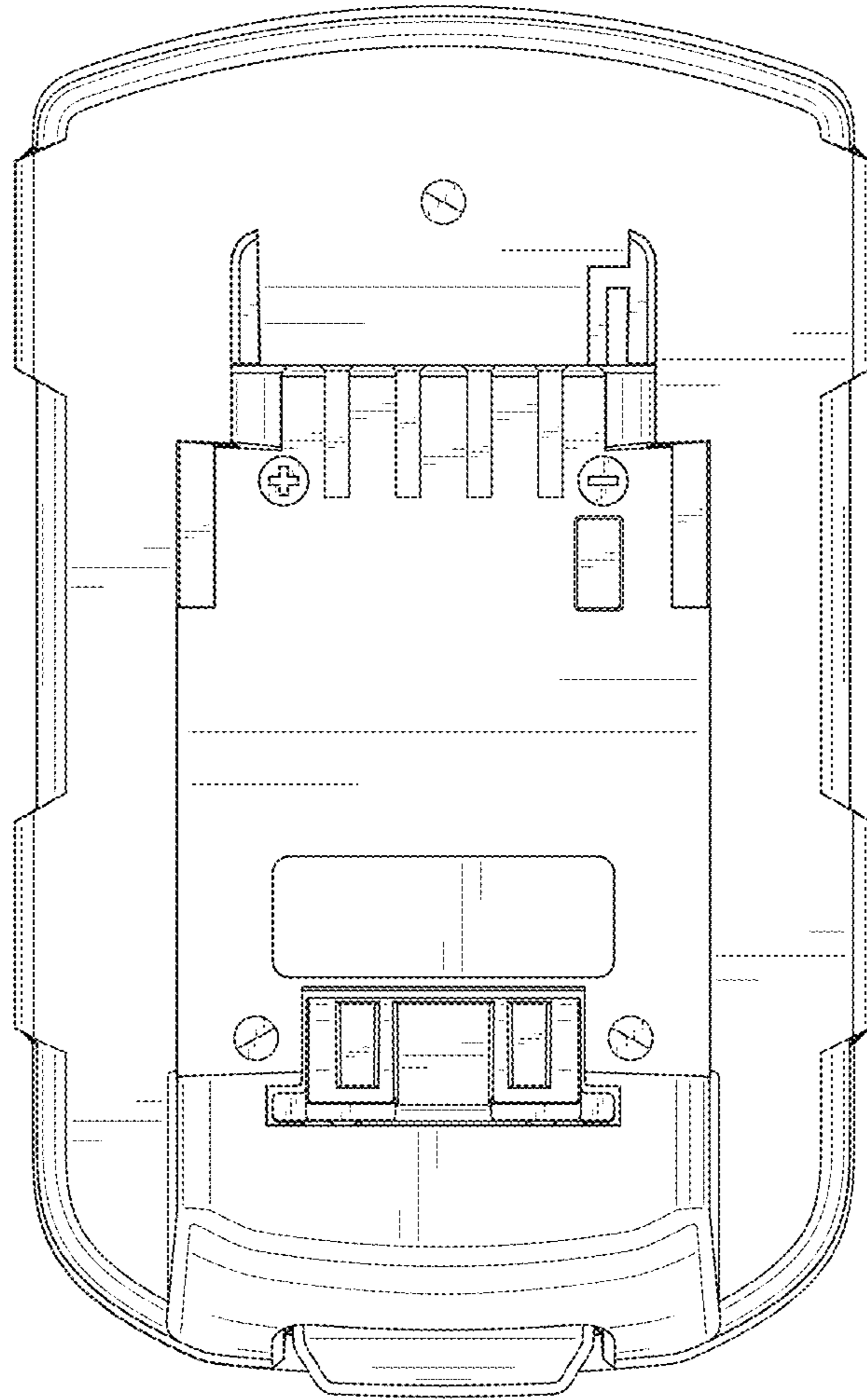


FIG. 6

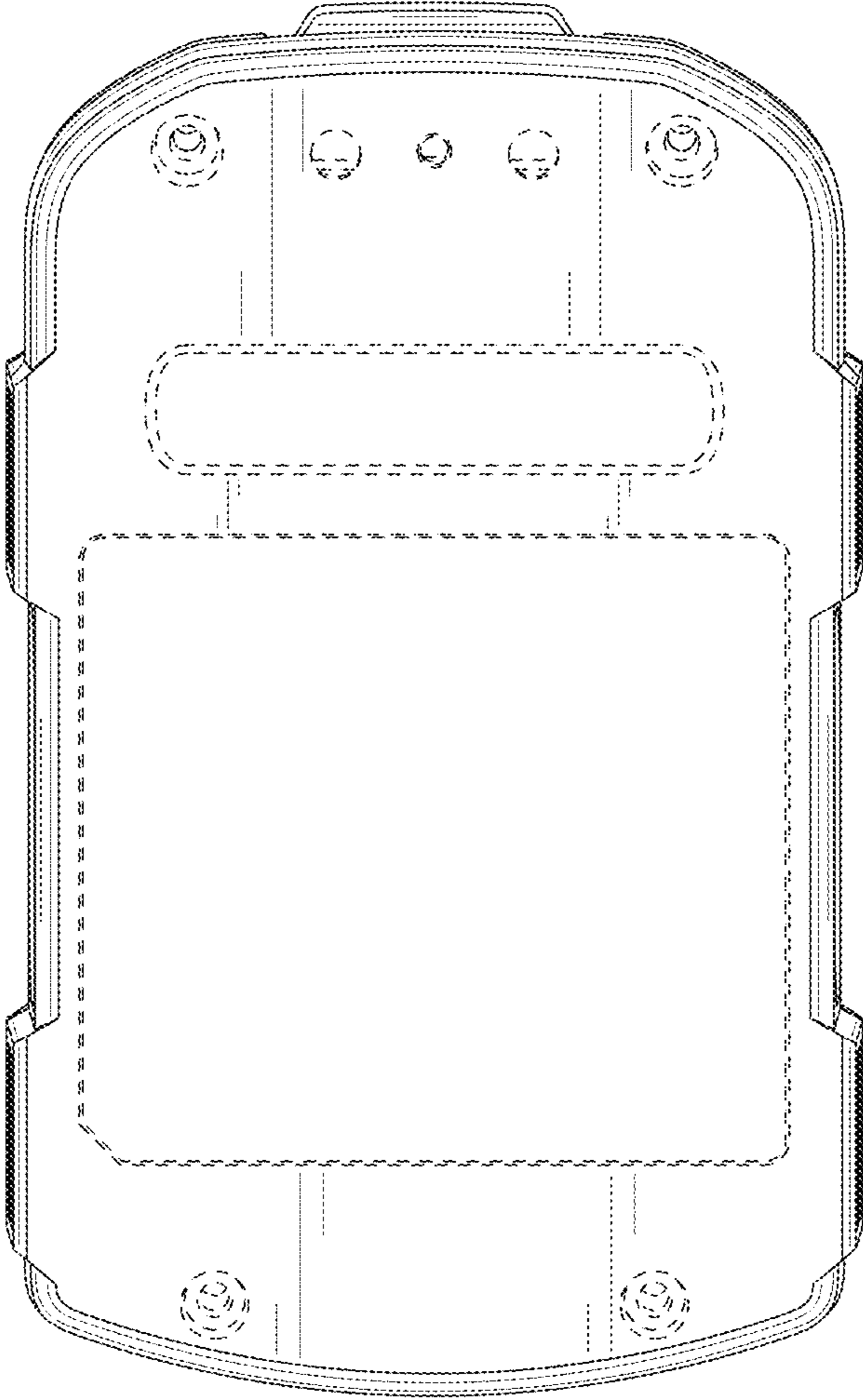


FIG. 7