



US00D684519S

(12) **United States Design Patent**
Garbas

(10) **Patent No.:** **US D684,519 S**
(45) **Date of Patent:** **** Jun. 18, 2013**

(54) **WHEEL OR WHEEL COVER**
(71) Applicant: **Bayerische Motoren Werke**
Aktiengesellschaft, Munich (DE)
(72) Inventor: **Benjamin Garbas, Munich (DE)**
(73) Assignee: **Bayerische Motoren Werke**
Aktiengesellschaft, Munich (DE)
(**) Term: **14 Years**

(21) Appl. No.: **29/438,324**

(22) Filed: **Nov. 29, 2012**

(30) **Foreign Application Priority Data**

May 31, 2012 (DE) 40 2012 100 406

(51) **LOC (9) Cl.** **12-16**

(52) **U.S. Cl.**
USPC **D12/211**

(58) **Field of Classification Search**
USPC D12/204-213; 301/37.101, 64.101,
301/65, 64.201
See application file for complete search history.

(56) **References Cited**

U.S. PATENT DOCUMENTS

D450,647 S * 11/2001 Pfeiffer D12/211
D500,004 S 12/2004 Szavits

D516,002 S * 2/2006 Fahr-Becker D12/211
D530,257 S * 10/2006 Pfeiffer D12/211
D563,305 S 3/2008 Schweizer
D580,842 S * 11/2008 Kim D12/211
D590,314 S * 4/2009 Hettler D12/209
D654,006 S * 2/2012 Baum D12/209
D654,843 S * 2/2012 Futschik et al. D12/211

FOREIGN PATENT DOCUMENTS

EM 000090410-0003 3/2004
EM 000141791-0006 6/2004
EM 000689344-0001 1/2008
EM 001674441-0002 12/2010

* cited by examiner

Primary Examiner — Stacia Cadmus

(74) *Attorney, Agent, or Firm* — Crowell & Moring LLP

(57) **CLAIM**

The ornamental design for a wheel or wheel cover, as shown and described.

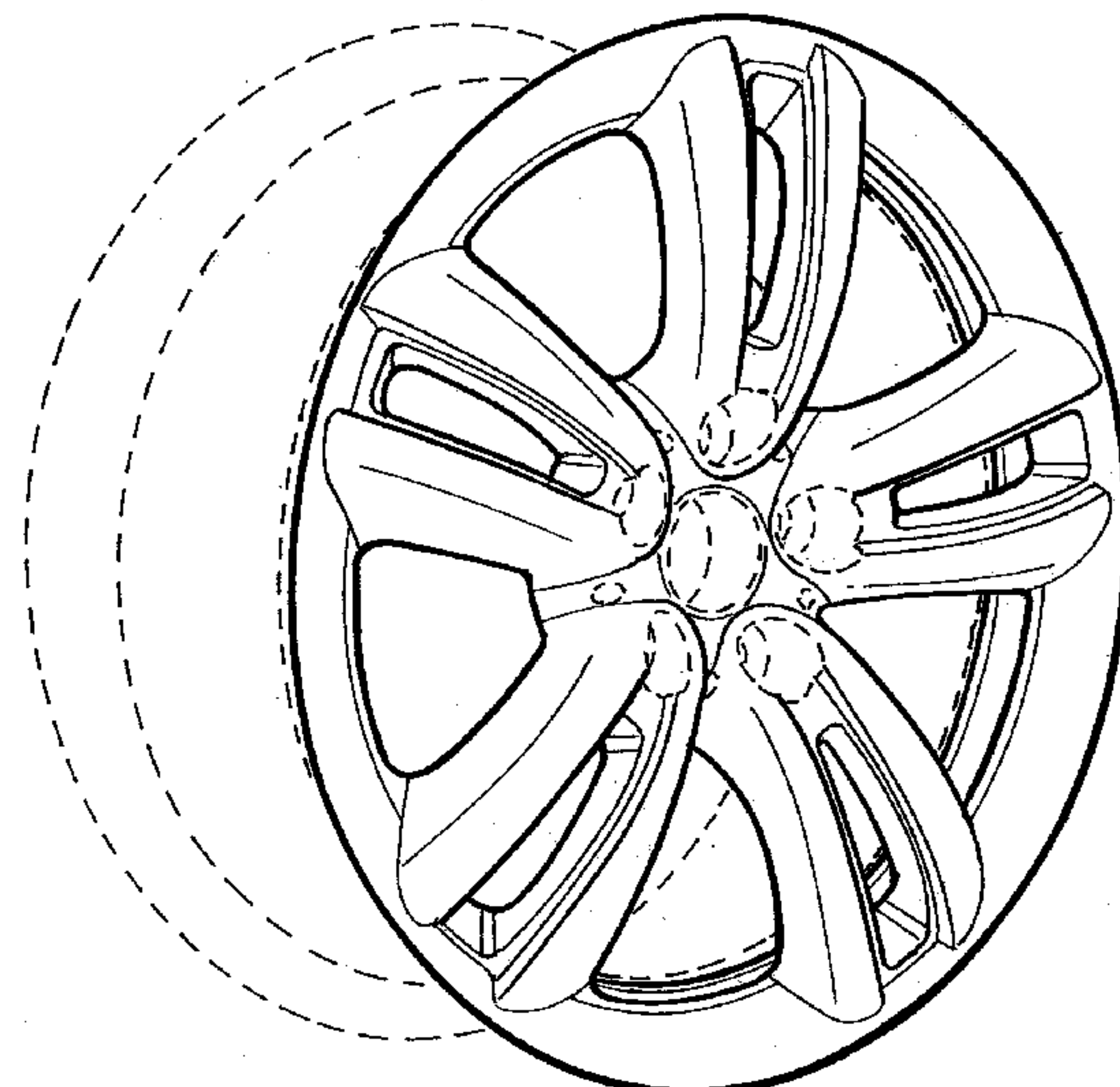
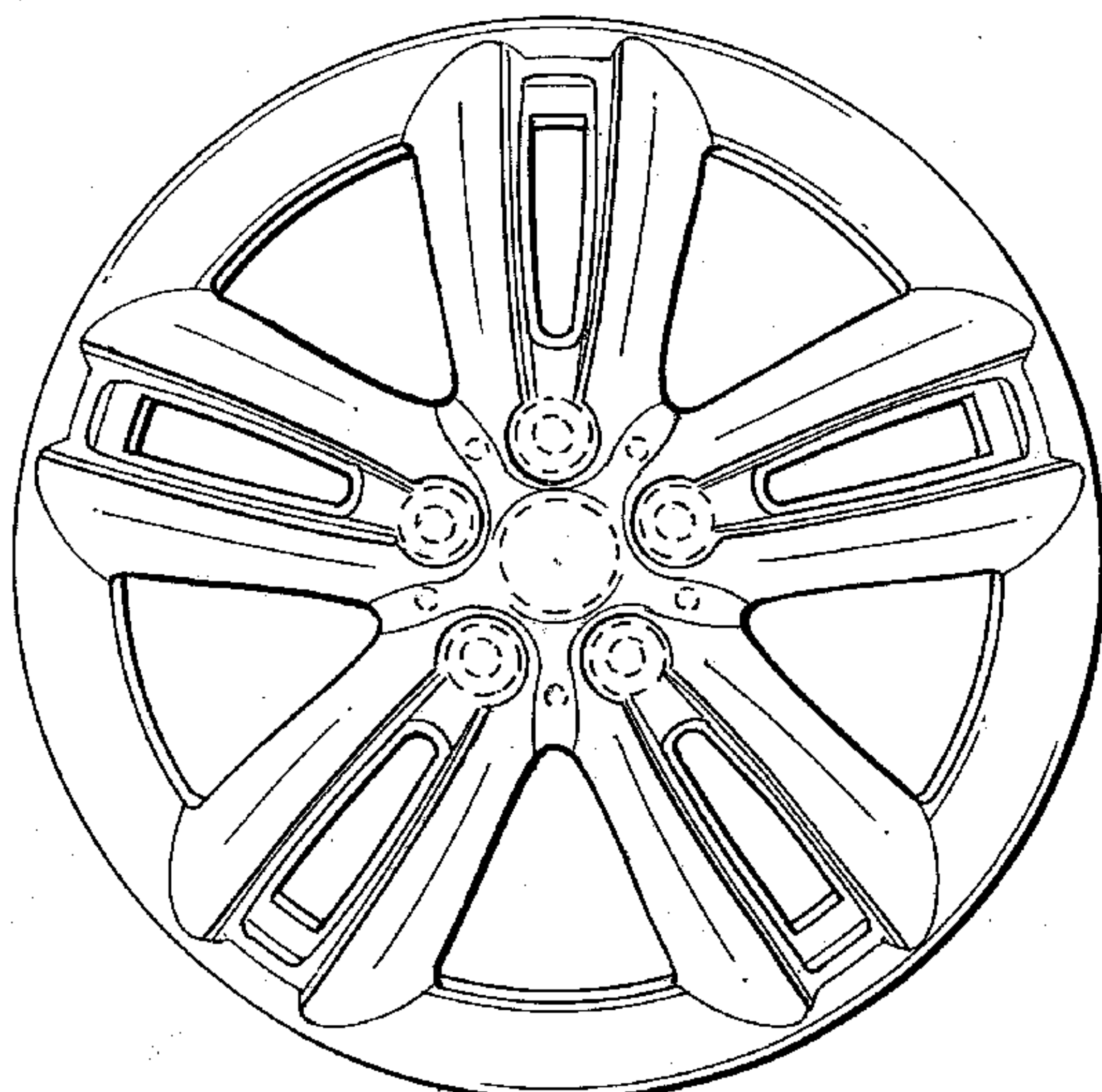
DESCRIPTION

FIG. 1 is a front view of a wheel or wheel cover, according to the design; and,

FIG. 2 is a perspective view thereof.

The broken line showing of the rear of the wheel and the bolt holes and center opening in the central hub area is included for the purpose of illustrating environment and forms no part of the claimed design.

1 Claim, 1 Drawing Sheet



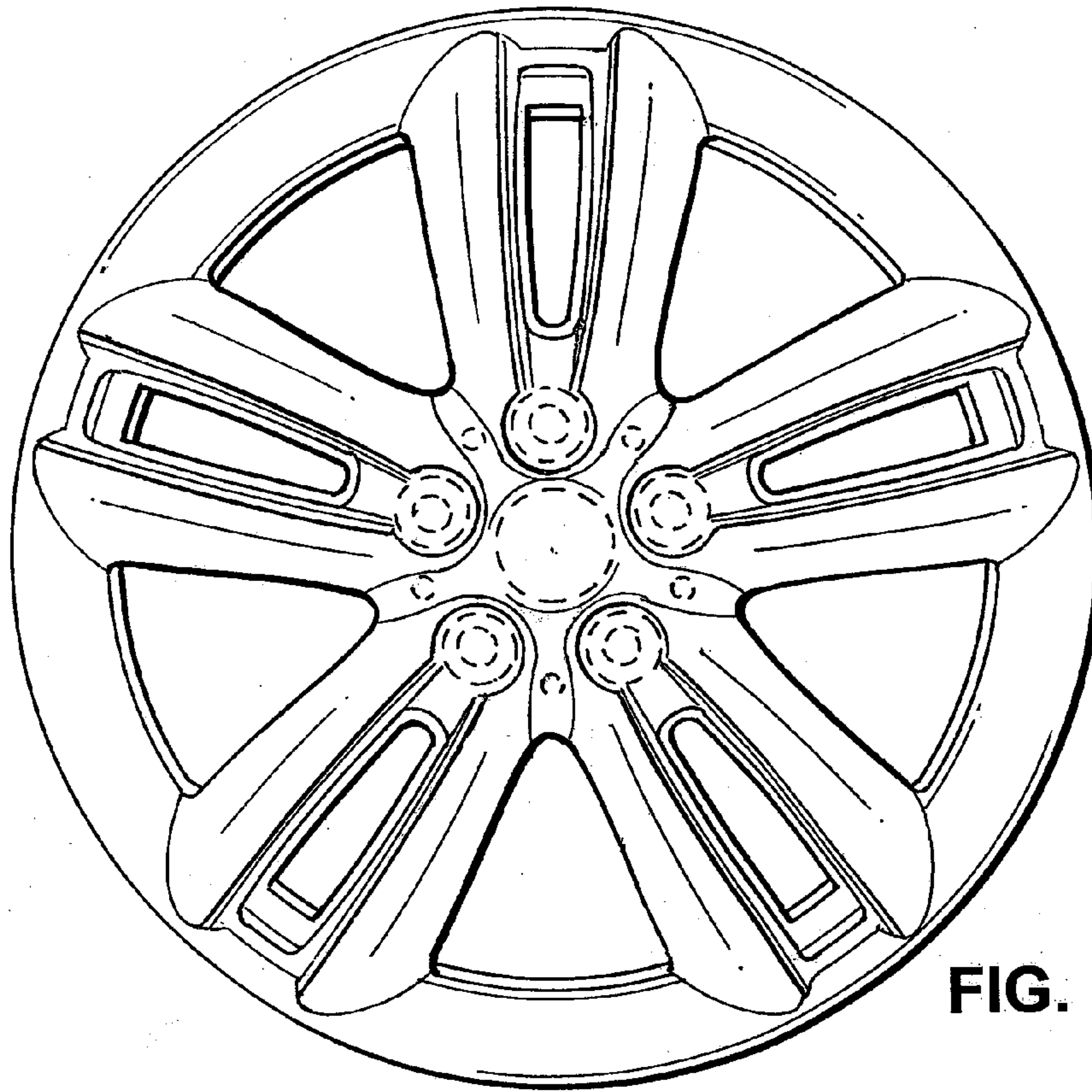


FIG. 1

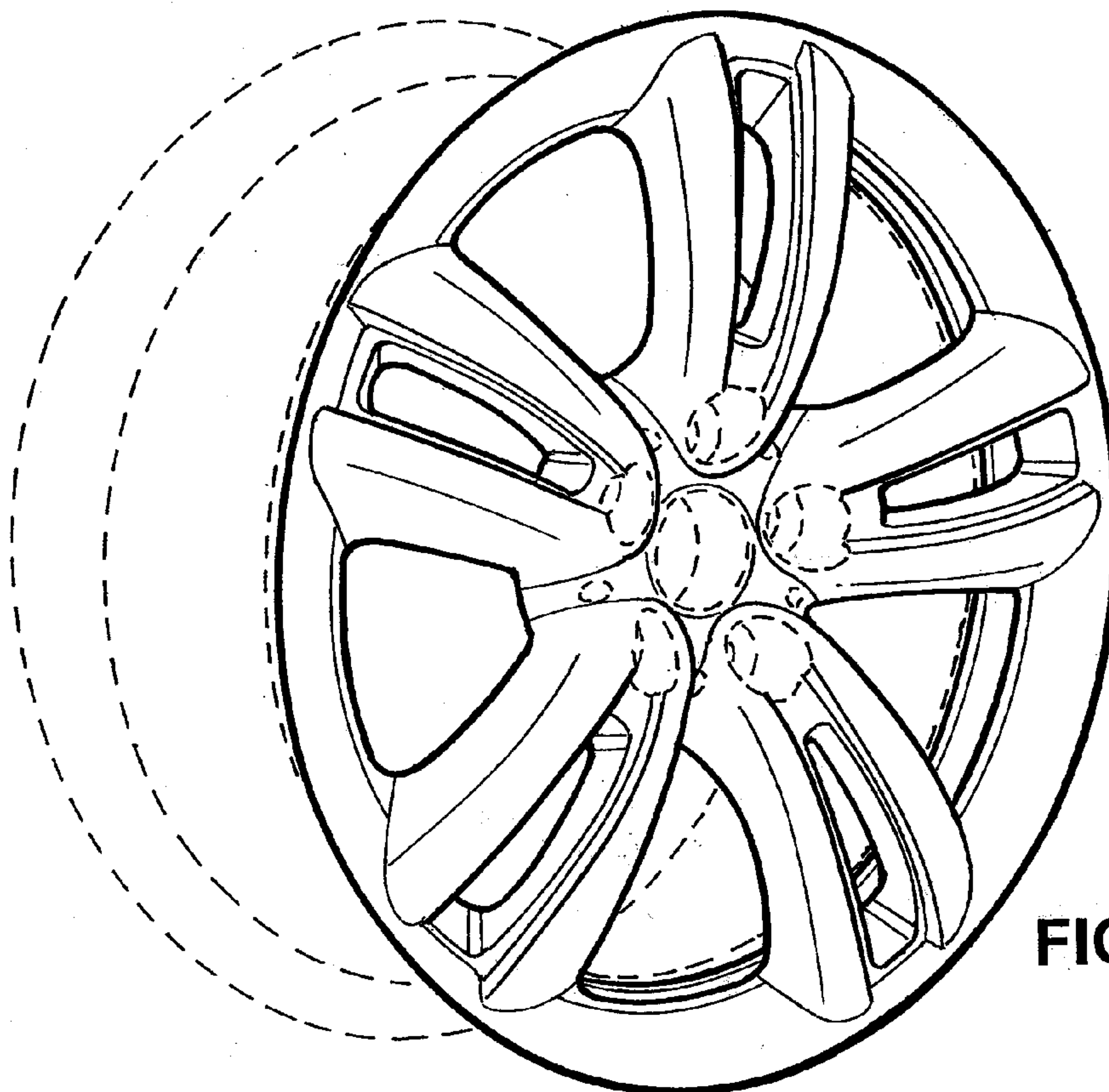


FIG. 2