



US00D684518S

(12) **United States Design Patent**  
**Zhao**

(10) **Patent No.:** **US D684,518 S**  
(45) **Date of Patent:** **\*\* Jun. 18, 2013**

(54) **AUTOMOBILE WHEEL**

(71) Applicant: **Wah Hung Group Inc.**, Monterey Park, CA (US)

(72) Inventor: **John Zhao**, Monterey Park, CA (US)

(73) Assignee: **Wah Hung Group, Inc.**, Monterey Park, CA (US)

(\*\*) Term: **14 Years**

(21) Appl. No.: **29/437,136**

(22) Filed: **Nov. 13, 2012**

(51) **LOC (9) Cl.** ..... **12-16**

(52) **U.S. Cl.**  
USPC ..... **D12/211**

(58) **Field of Classification Search**  
USPC ..... D12/204-213; 301/37.101, 64.101,  
301/65, 64.201

See application file for complete search history.

(56) **References Cited**

**U.S. PATENT DOCUMENTS**

D446,493 S \* 8/2001 Sulahian et al. .... D12/211  
D449,267 S \* 10/2001 Fitzgerald ..... D12/211  
D488,763 S \* 4/2004 Takechi ..... D12/211

D498,725 S \* 11/2004 Suciu ..... D12/211  
D512,361 S \* 12/2005 Cornell ..... D12/211  
D518,766 S \* 4/2006 Burns ..... D12/211  
D524,215 S \* 7/2006 Guevara ..... D12/211  
D585,808 S \* 2/2009 Hetrick ..... D12/211  
D617,721 S \* 6/2010 Zhao ..... D12/211  
D619,074 S \* 7/2010 Zhao ..... D12/211  
D623,114 S \* 9/2010 Geisler ..... D12/211  
D652,364 S \* 1/2012 Zhao ..... D12/211  
D653,189 S \* 1/2012 Zhao ..... D12/211  
D653,599 S \* 2/2012 Zhao ..... D12/211  
D656,450 S \* 3/2012 Zhao ..... D12/211

\* cited by examiner

*Primary Examiner* — Stacia Cadmus

(74) *Attorney, Agent, or Firm* — Adli Law Group P.C.

(57) **CLAIM**

The ornamental design for an automobile wheel, as shown and described.

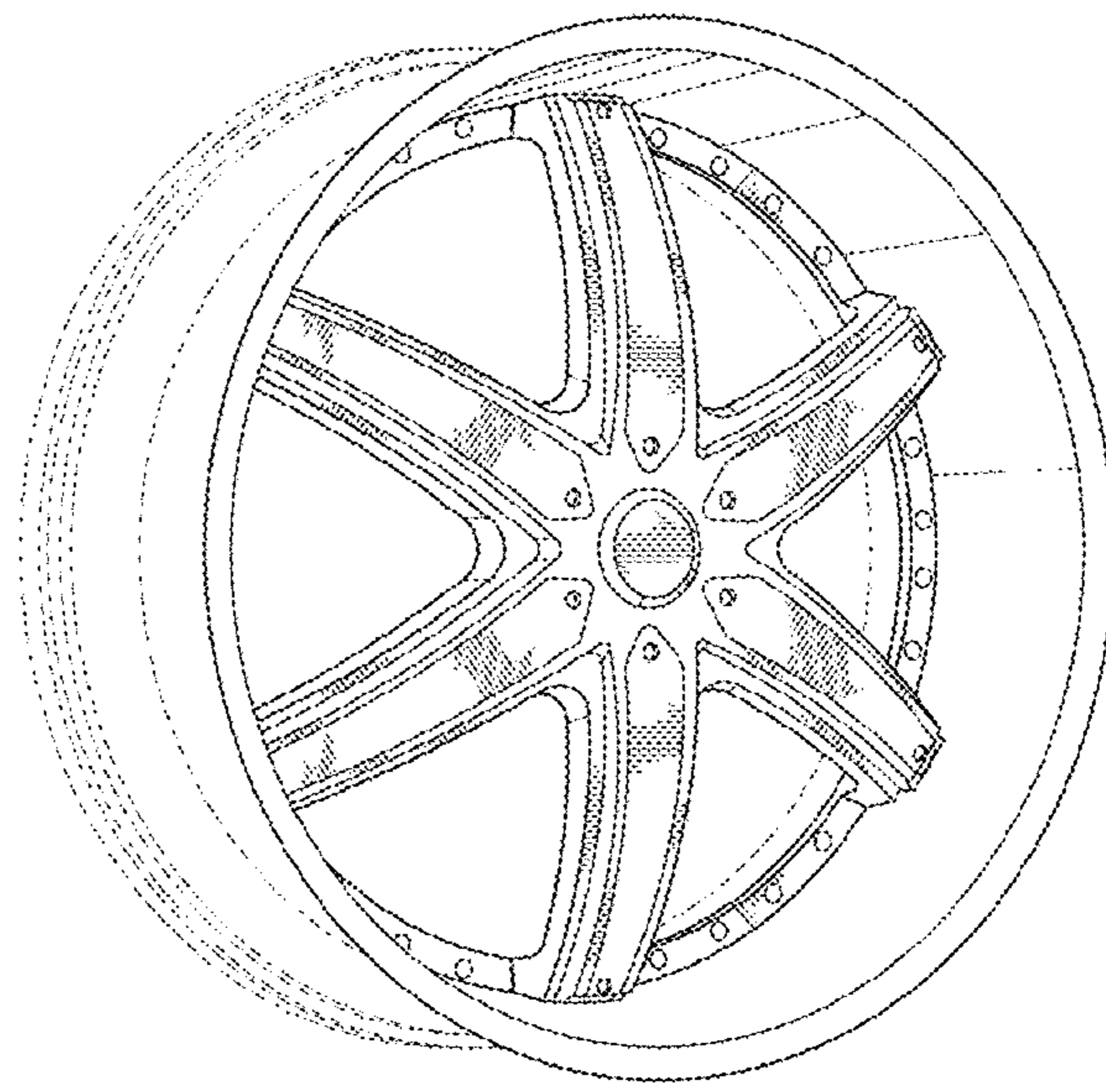
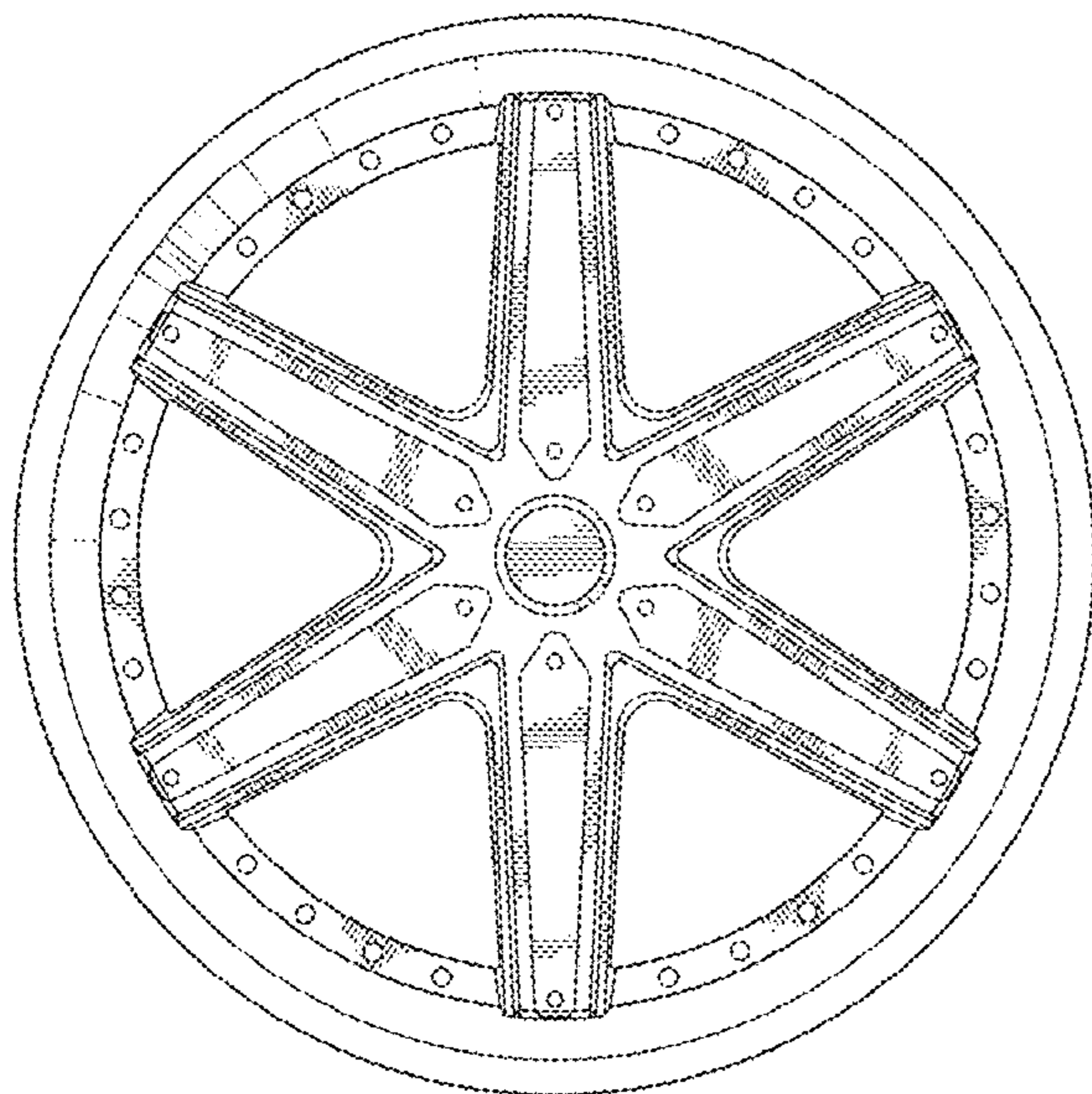
**DESCRIPTION**

FIG. 1 is a front elevational view of an automobile wheel, showing my new design; and,

FIG. 2 is perspective view thereof.

The broken line showing of the rear of the rim is included for the purpose of illustrating environment and forms no part of the claimed design.

**1 Claim, 2 Drawing Sheets**



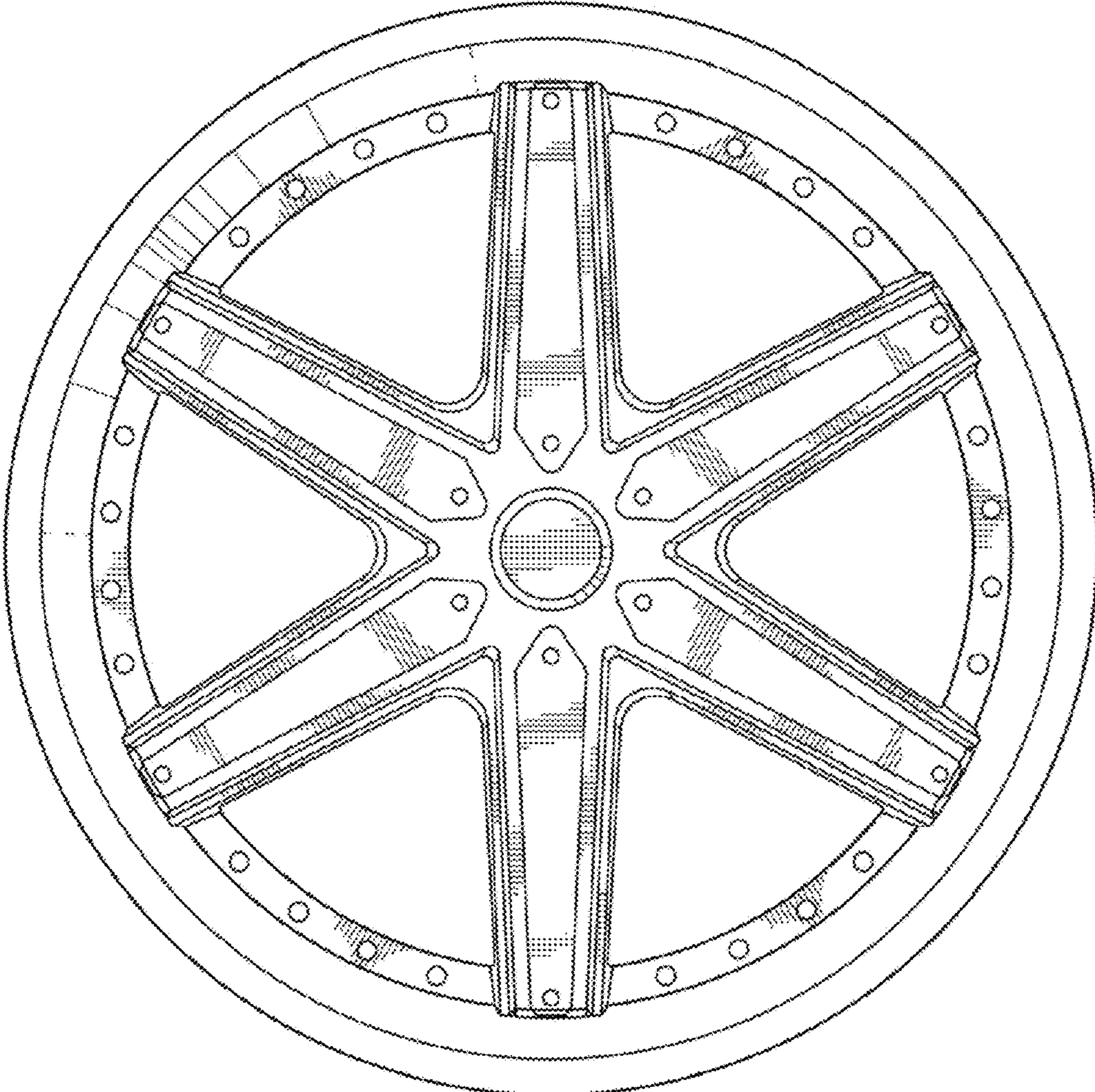


FIG. 1

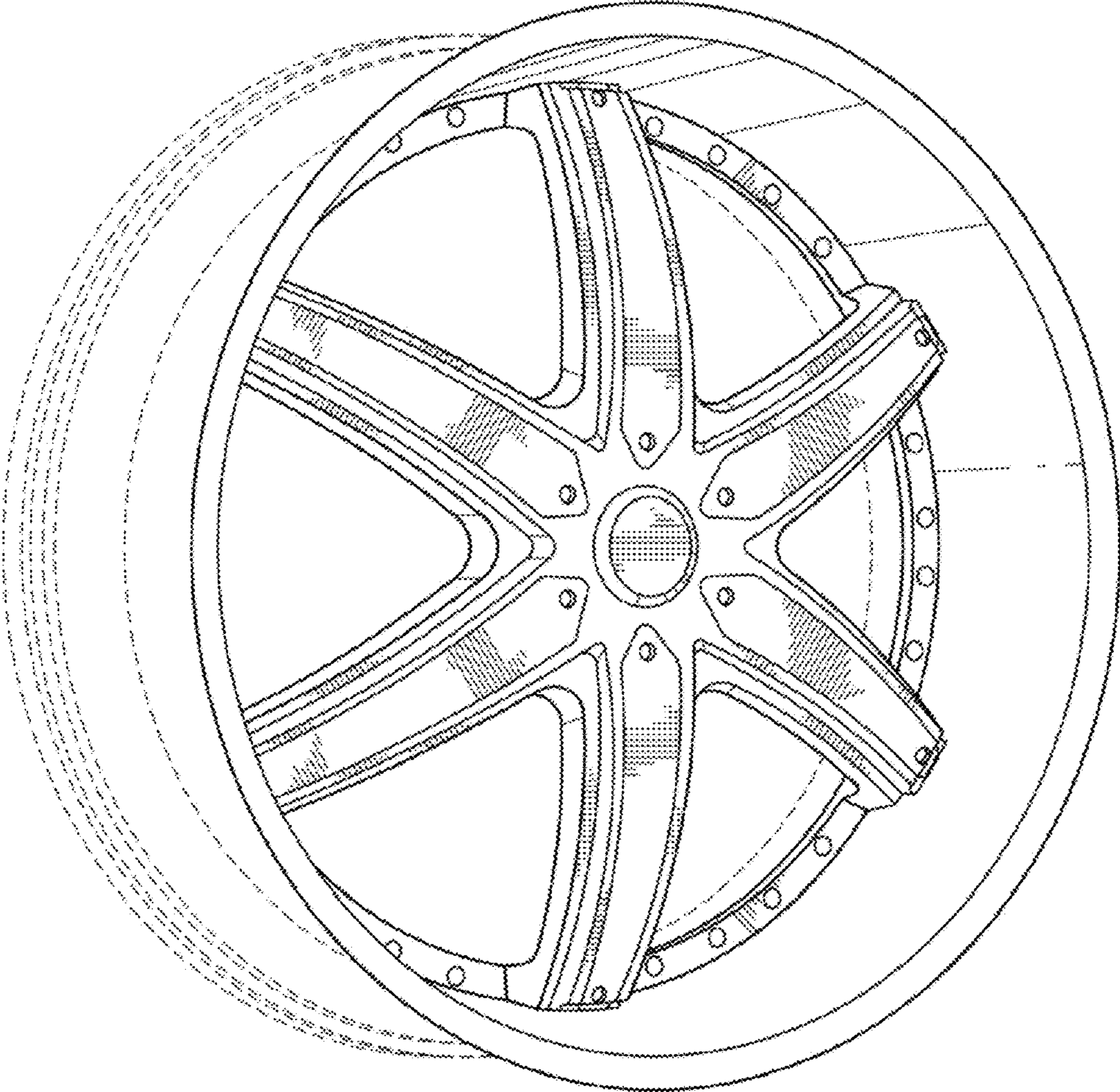


FIG. 2