



US00D684516S

(12) **United States Design Patent**
Bennion

(10) **Patent No.:** **US D684,516 S**
(45) **Date of Patent:** **** Jun. 18, 2013**

(54) **VEHICLE WHEEL**

(71) Applicant: **GM Global Technology Operations LLC, Detroit, MI (US)**

(72) Inventor: **Kirk D. Bennion, Macomb, MI (US)**

(73) Assignee: **GM Global Technology Operations LLC, Detroit, MI (US)**

(**) Term: **14 Years**

(21) Appl. No.: **29/441,631**

(22) Filed: **Jan. 8, 2013**

(51) **LOC (9) Cl.** **12-16**

(52) **U.S. Cl.**
USPC **D12/209**

(58) **Field of Classification Search**
USPC D12/204-213; 301/37.101, 64.101,
301/65, 64.201

See application file for complete search history.

(56) **References Cited**

U.S. PATENT DOCUMENTS

D371,100 S *	6/1996	Hatter	D12/209
D400,153 S *	10/1998	Bhambra	D12/209
D402,249 S *	12/1998	Kulla	D12/209
D409,546 S *	5/1999	Stark	D12/209
D451,062 S *	11/2001	Yoshida	D12/209
D451,065 S *	11/2001	Braun	D12/211
D455,693 S *	4/2002	Sato et al.	D12/209
D461,153 S *	8/2002	Koyama	D12/209
D472,509 S *	4/2003	Laengerer	D12/209

D499,058 S *	11/2004	Iwauchi et al.	D12/209
D504,096 S *	4/2005	Nakagawa et al.	D12/209
D538,731 S *	3/2007	Iwauchi et al.	D12/211
D584,208 S *	1/2009	Markefka	D12/209
D605,573 S *	12/2009	Chan	D12/209
D620,866 S *	8/2010	Blasi	D12/209
D626,905 S *	11/2010	Camacho	D12/209
D648,255 S *	11/2011	Scheinutte	D12/209
D654,842 S *	2/2012	Blasi	D12/209
D663,247 S *	7/2012	Bildhaeuser	D12/209
D671,478 S *	11/2012	Baum et al.	D12/209
D671,877 S *	12/2012	Roura	D12/209
D672,303 S *	12/2012	Roura	D12/209
D673,097 S *	12/2012	Lemke	D12/209

* cited by examiner

Primary Examiner — Stacia Cadmus

(74) *Attorney, Agent, or Firm* — Parks IP Law LLC; Mickki D. Murray

(57) **CLAIM**

The ornamental design for a vehicle wheel, as shown and described.

DESCRIPTION

FIG. 1 is a perspective view of a vehicle wheel, from a first vantage, showing the new design;

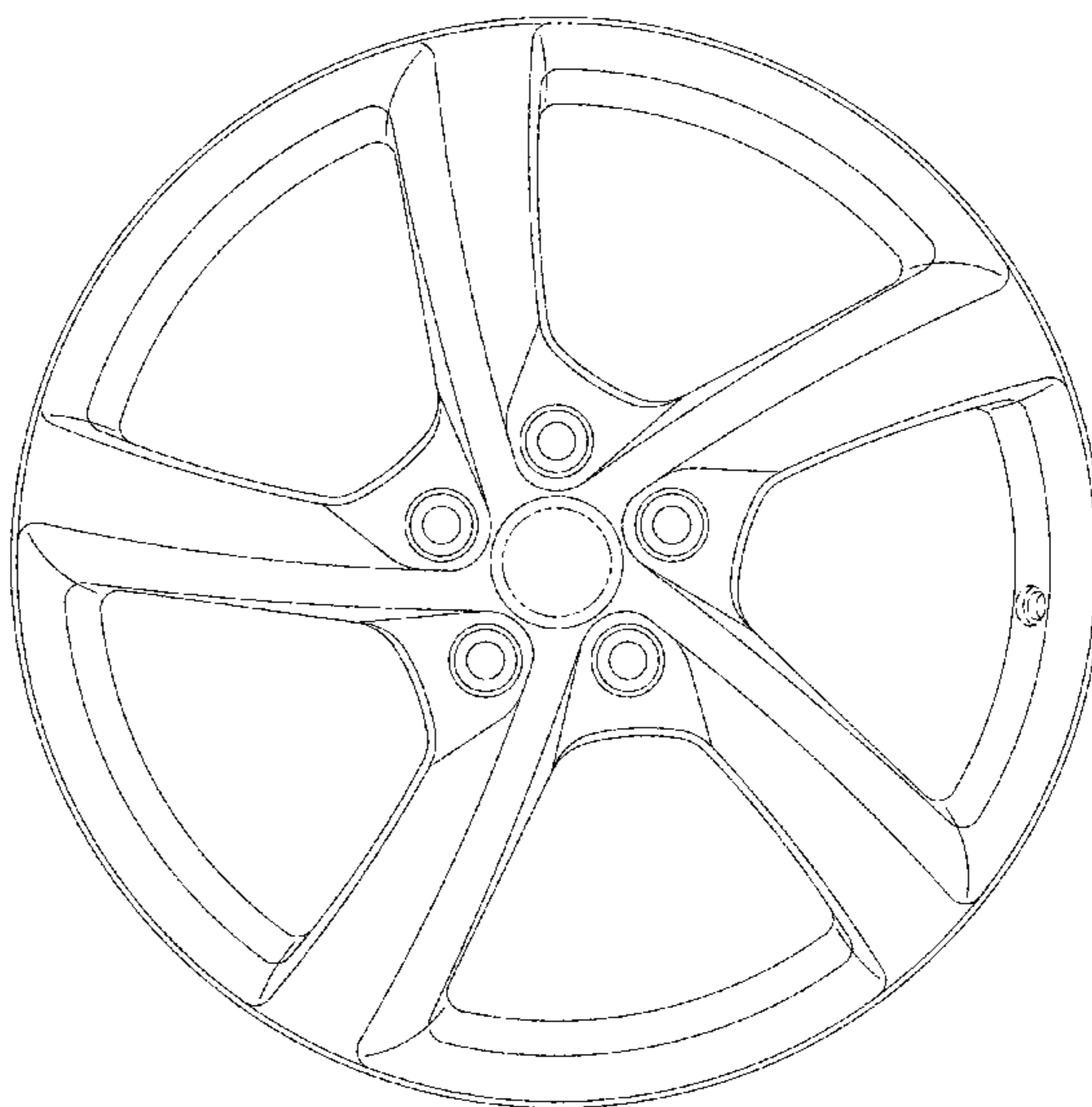
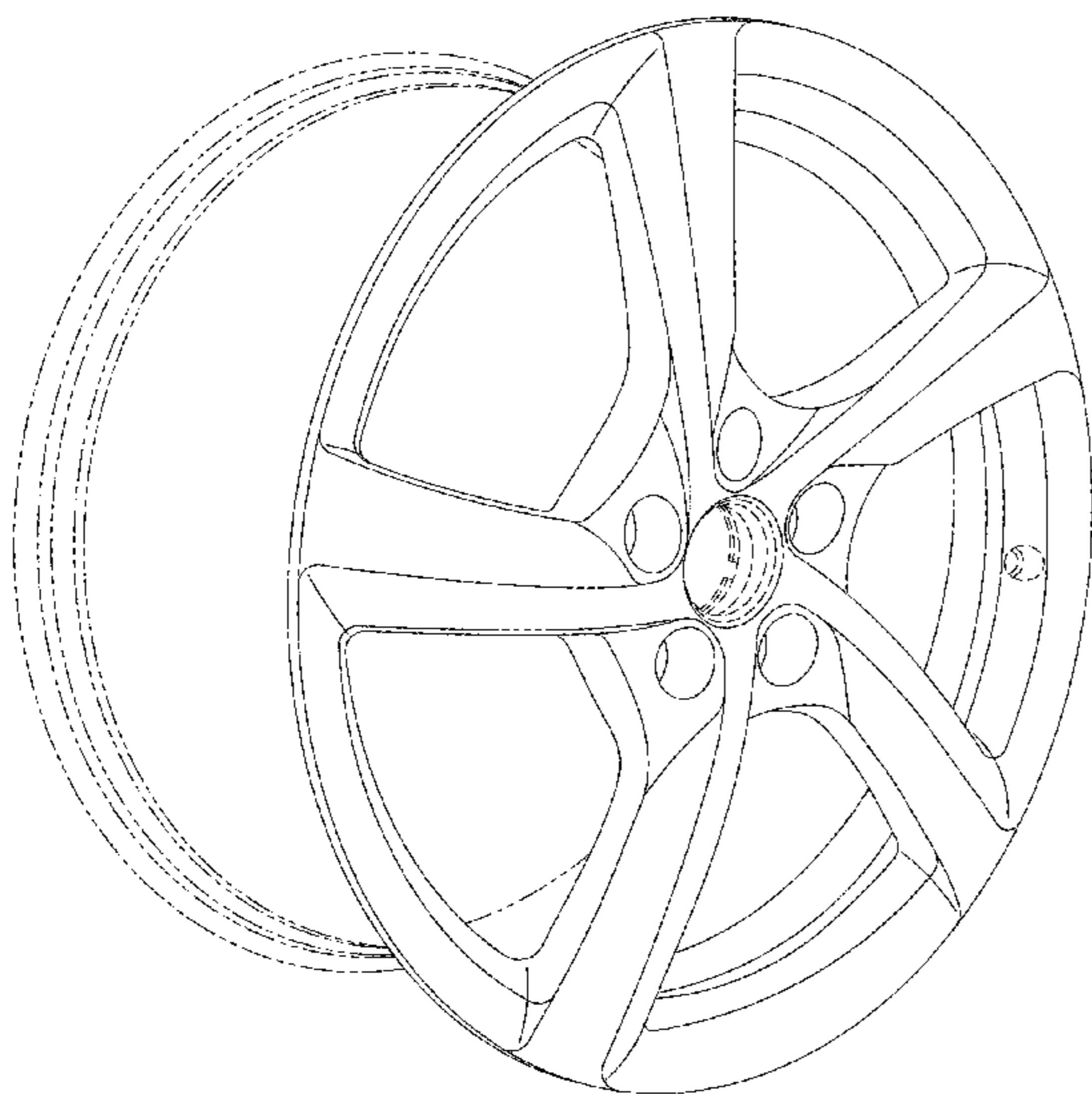
FIG. 2 is a perspective view of a vehicle wheel, from a second vantage, thereof;

FIG. 3 is a front view, thereof; and,

FIG. 4 is a rear view, thereof.

In the figures, features shown by broken lines are for illustrative purposes only and form no part of the claimed design.

1 Claim, 4 Drawing Sheets



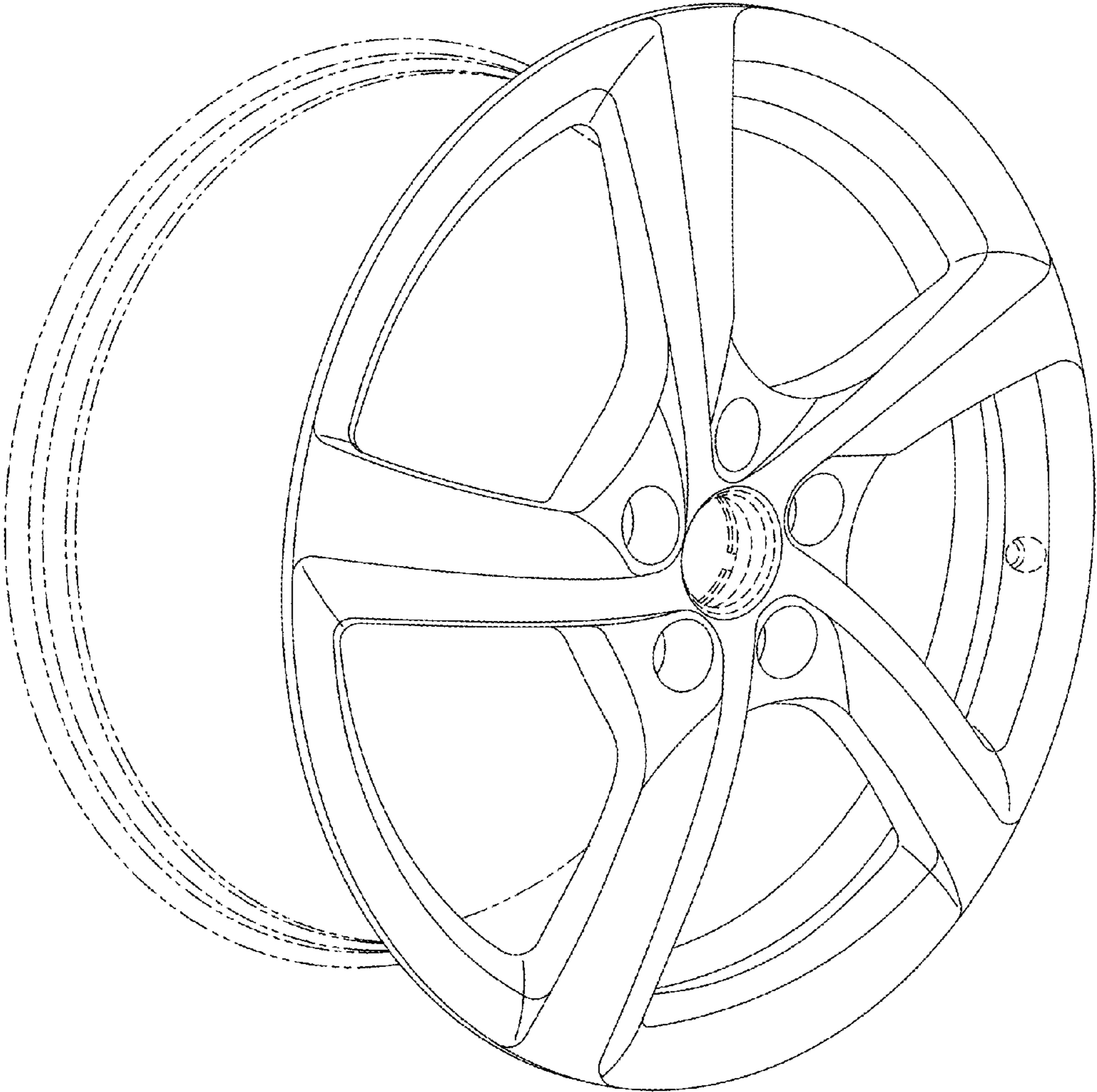


Fig-1

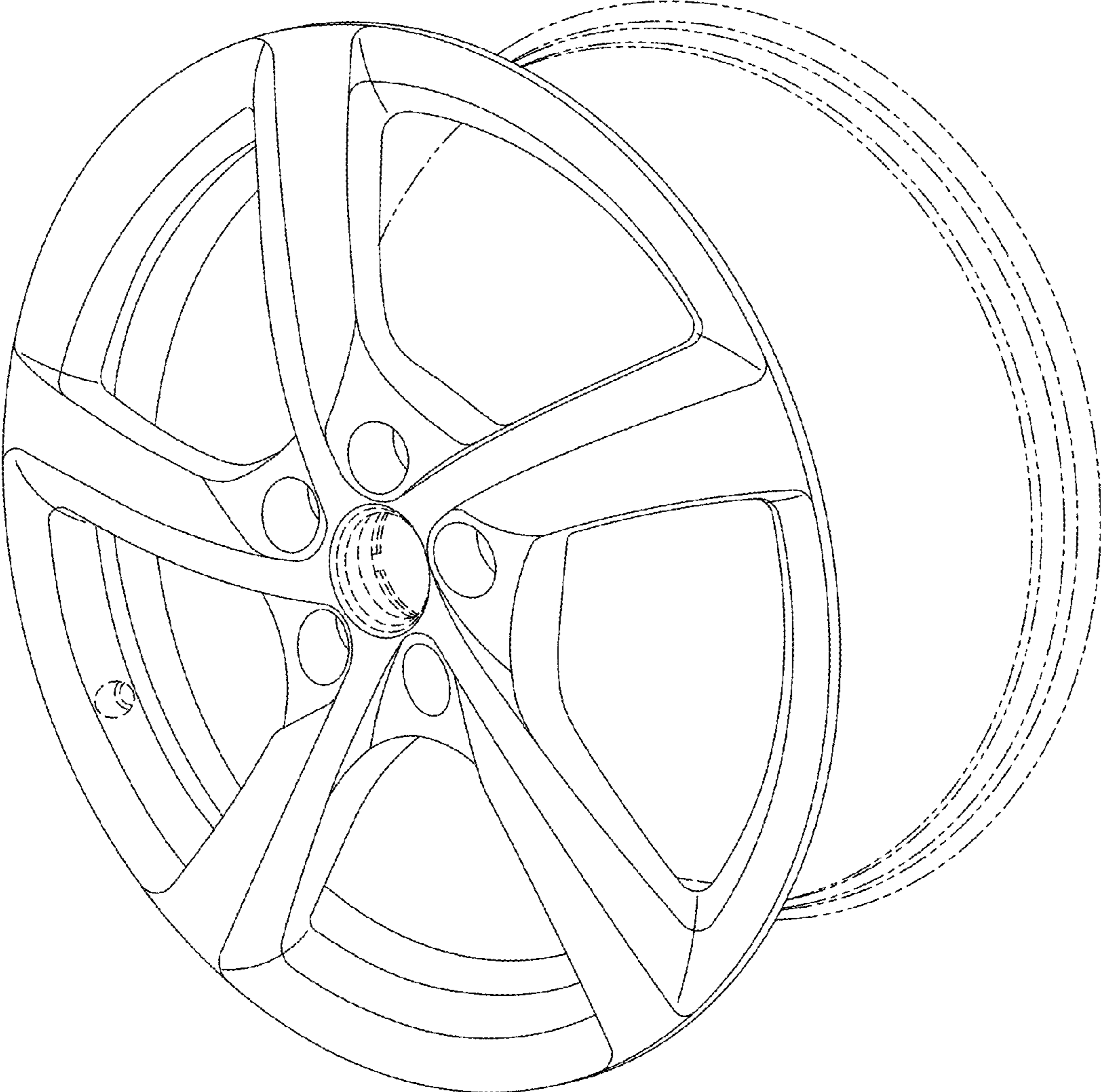


Fig-2

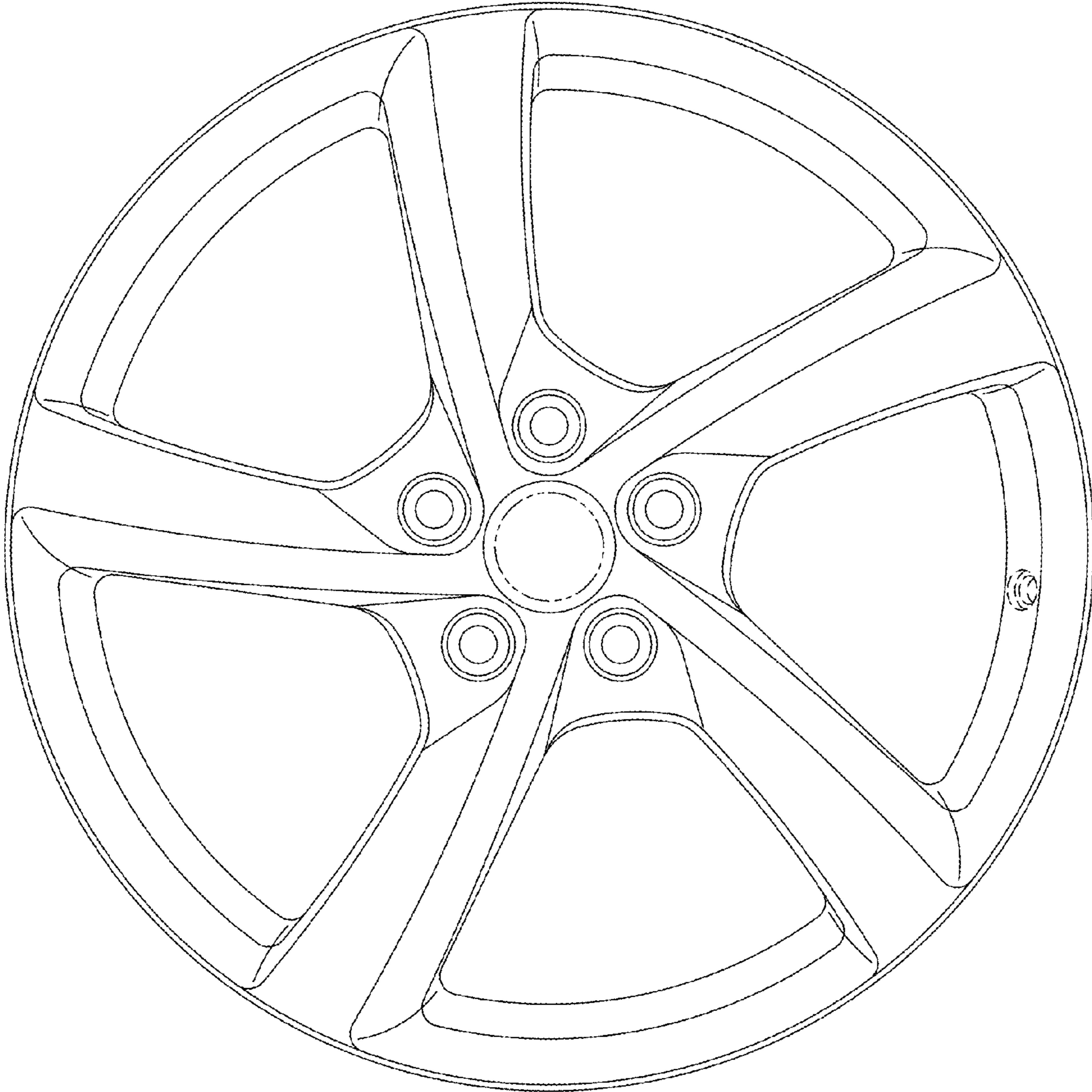


Fig-3

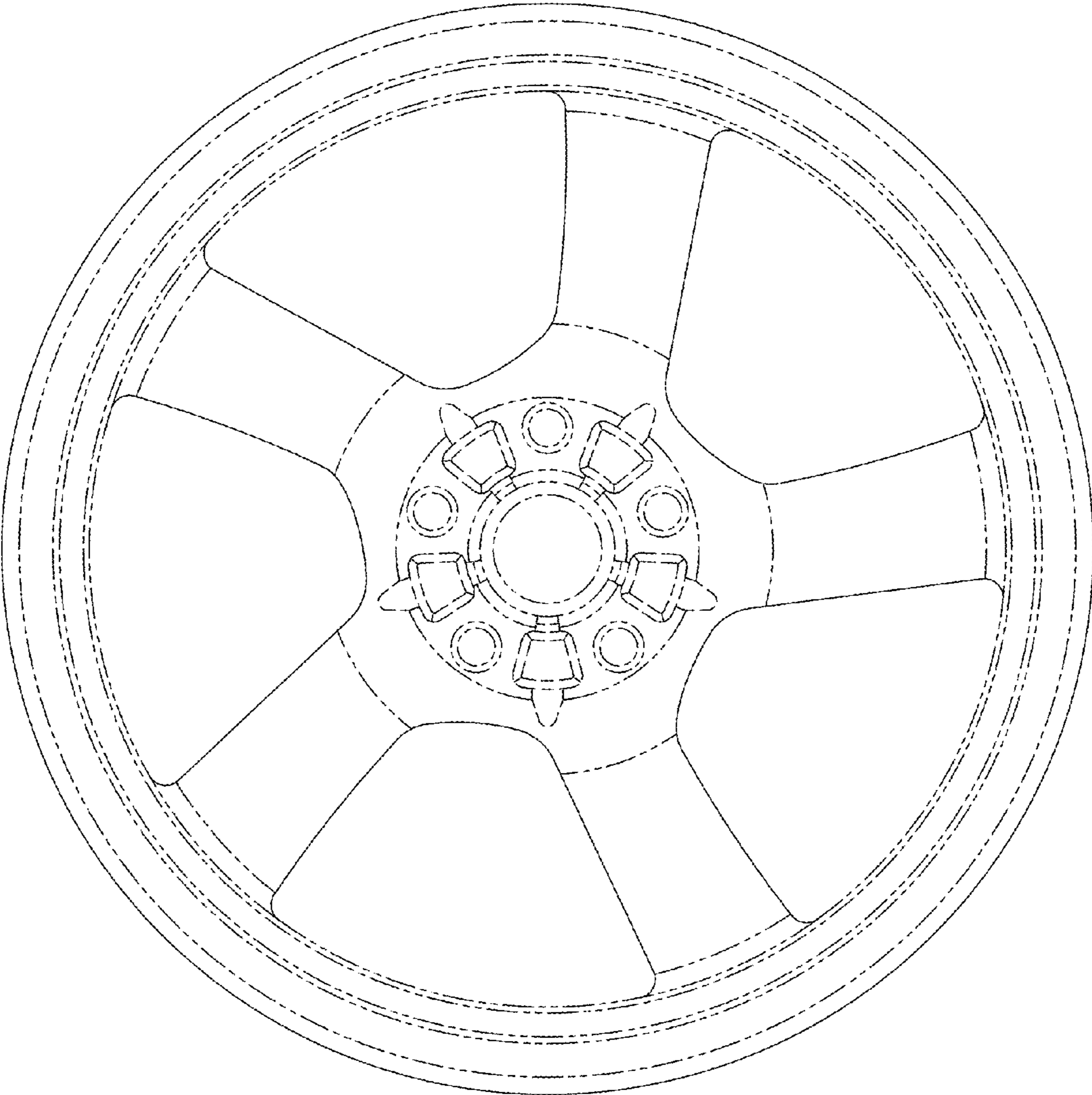


Fig-4