



US00D684514S

(12) **United States Design Patent**  
**McCabe et al.**

(10) **Patent No.:** **US D684,514 S**  
(45) **Date of Patent:** **\*\* Jun. 18, 2013**

(54) **VEHICLE DECKLID**

(75) Inventors: **Steven M. McCabe**, Harper Woods, MI (US); **Jeasoo Kim**, Troy, MI (US); **Samuel Zhao**, Sterling Heights, MI (US)

(73) Assignee: **GM Global Technology Operations LLC**, Detroit, MI (US)

(\*\*) Term: **14 Years**

(21) Appl. No.: **29/413,270**

(22) Filed: **Feb. 14, 2012**

(51) **LOC (9) Cl.** ..... **12-16**

(52) **U.S. Cl.**  
USPC ..... **D12/196**

(58) **Field of Classification Search**  
USPC ..... D12/196, 90-92, 86; 296/181.1, 296/181.5

See application file for complete search history.

(56) **References Cited**

U.S. PATENT DOCUMENTS

D581,336	S	*	11/2008	Gabath et al.	.....	D12/196
D585,004	S	*	1/2009	Leclercq	.....	D12/196
D606,920	S	*	12/2009	Leone	.....	D12/196
D616,798	S	*	6/2010	Lamm et al.	.....	D12/196
D663,666	S	*	7/2012	Matsumoto et al.	.....	D12/196

\* cited by examiner

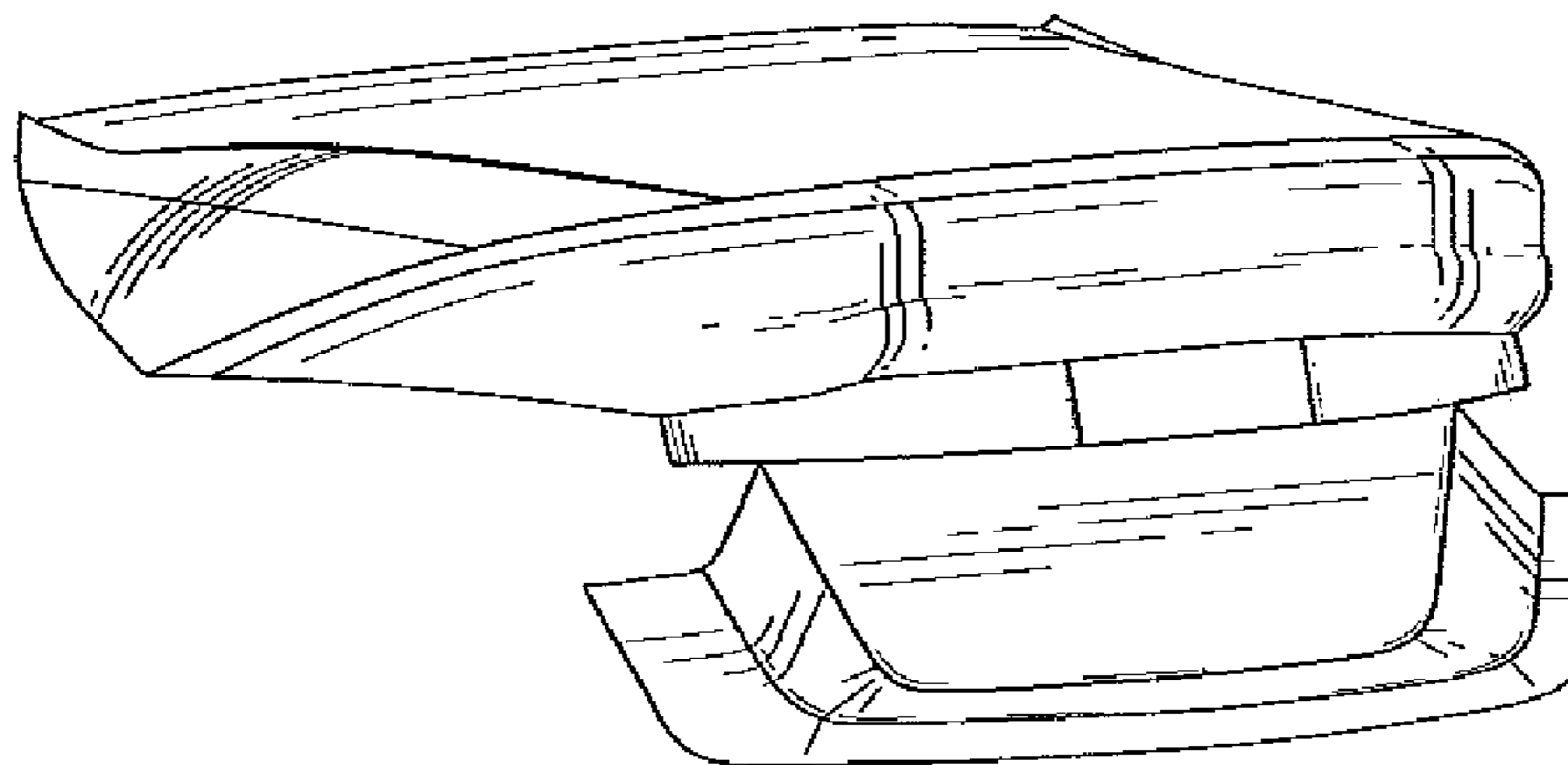
*Primary Examiner* — Melody Brown  
(74) *Attorney, Agent, or Firm* — Parks IP Law LLC; Mickki D. Murray

(57) **CLAIM**  
The ornamental design for a vehicle decklid, as shown and described.

**DESCRIPTION**

FIG. 1 is perspective view of a vehicle decklid showing the new design;  
FIG. 2 is a front view, thereof;  
FIG. 3 is a side view, thereof; and,  
FIG. 4 is a top plan view, thereof.

**1 Claim, 1 Drawing Sheet**



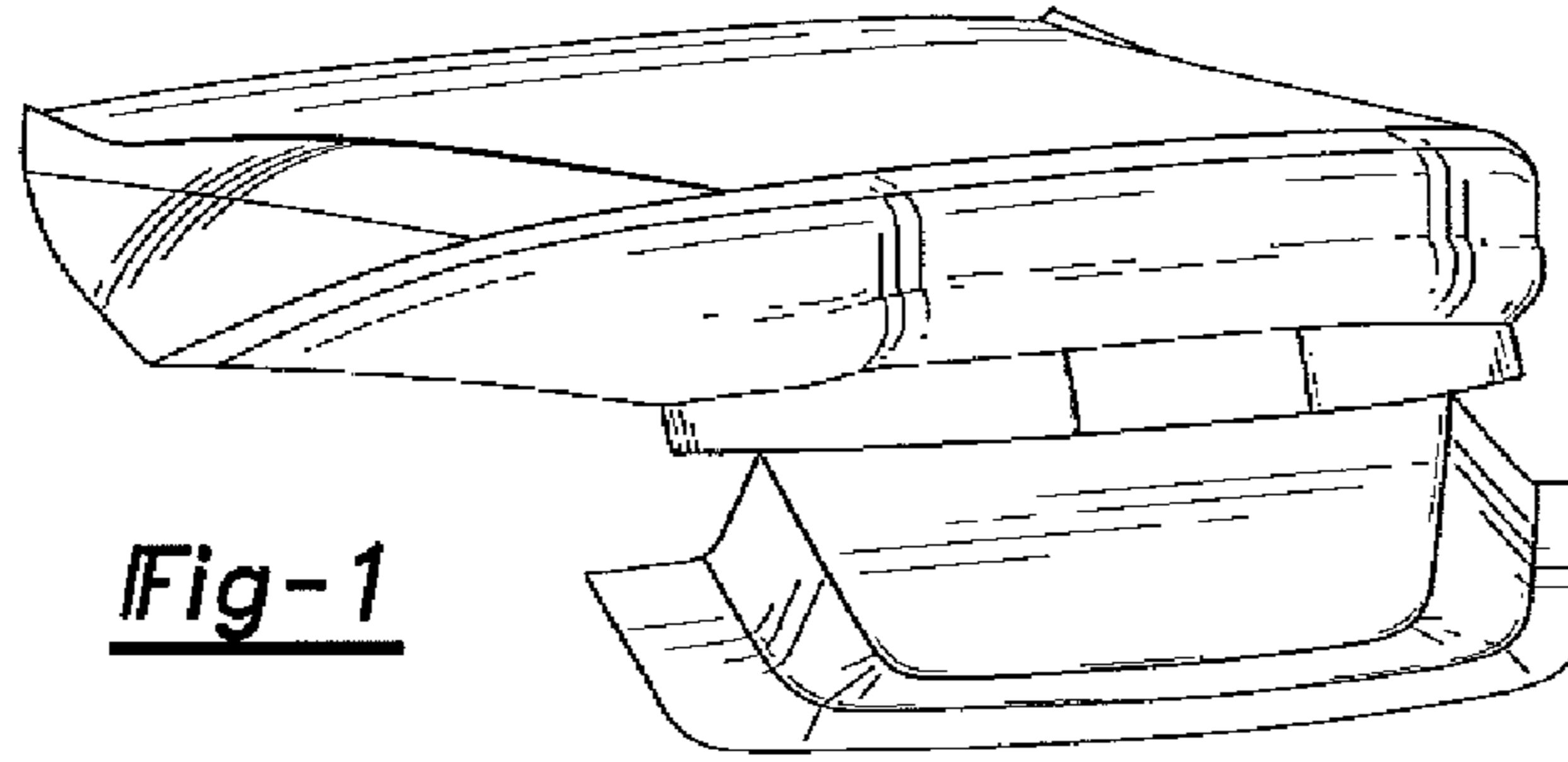


Fig-1

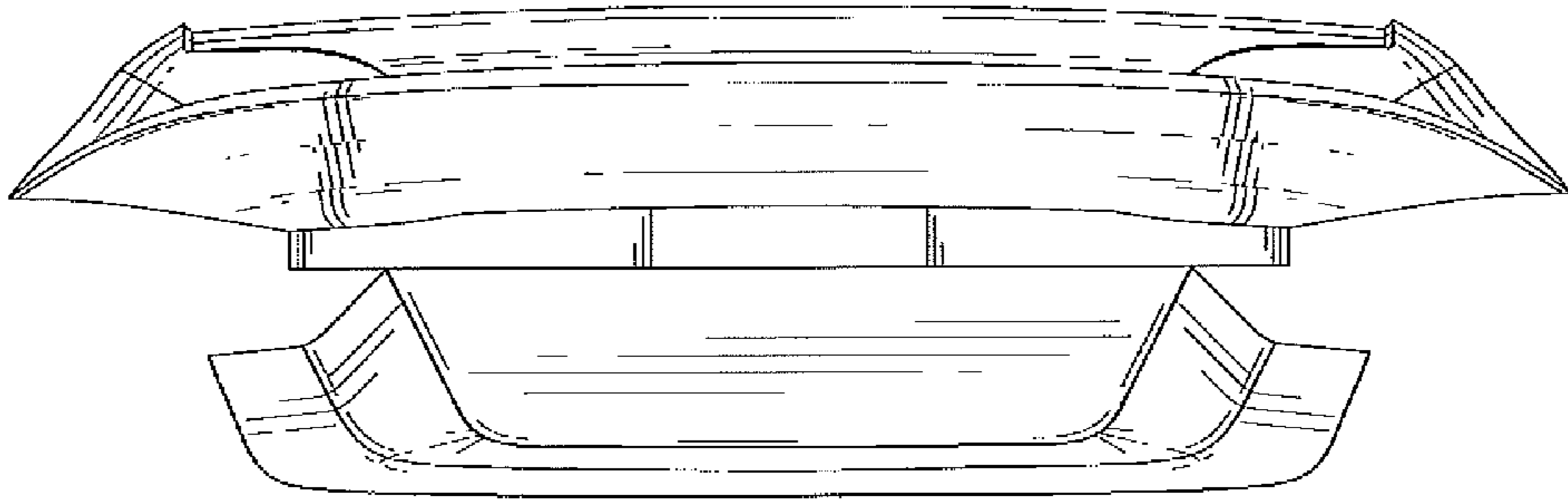


Fig-2

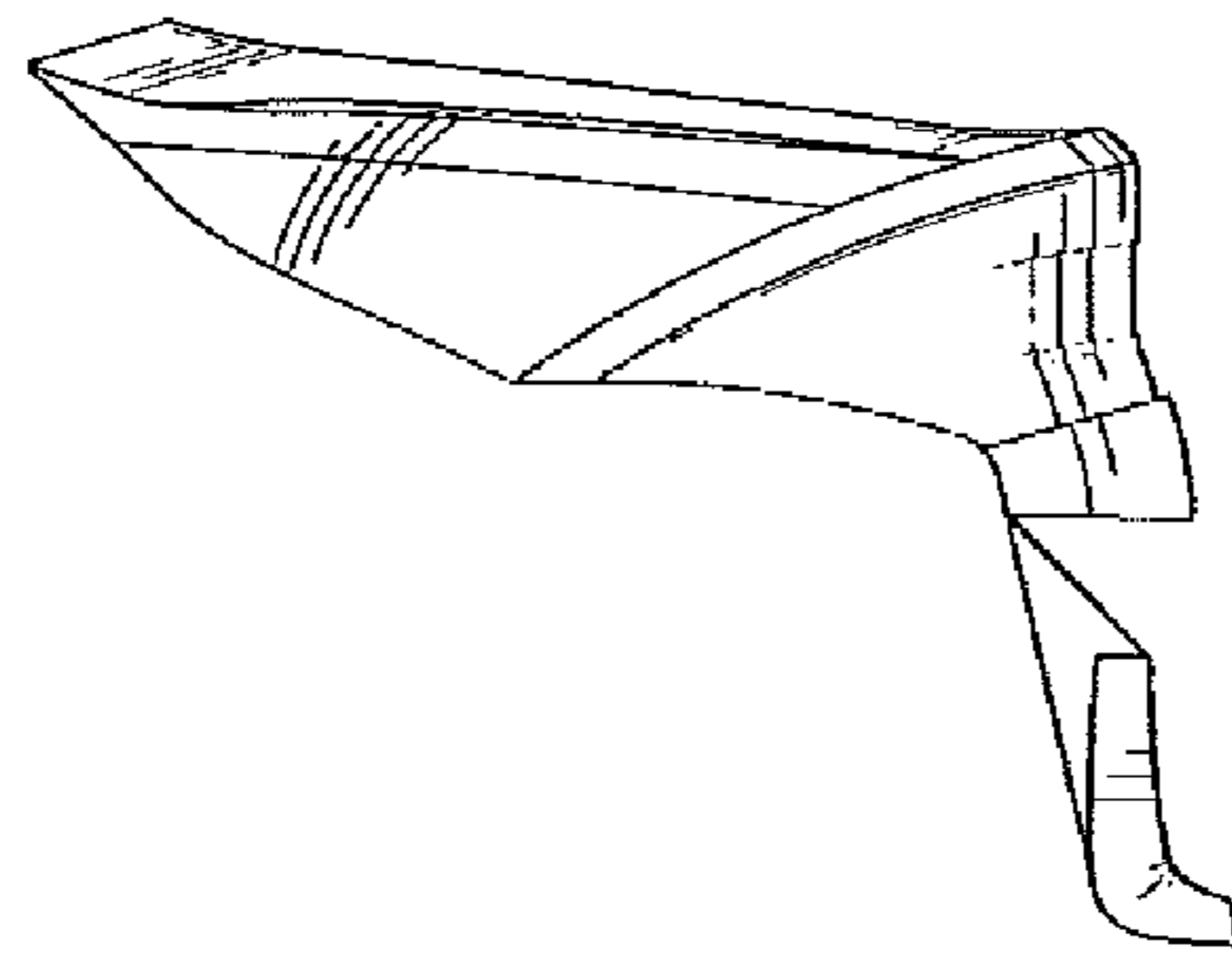


Fig-3

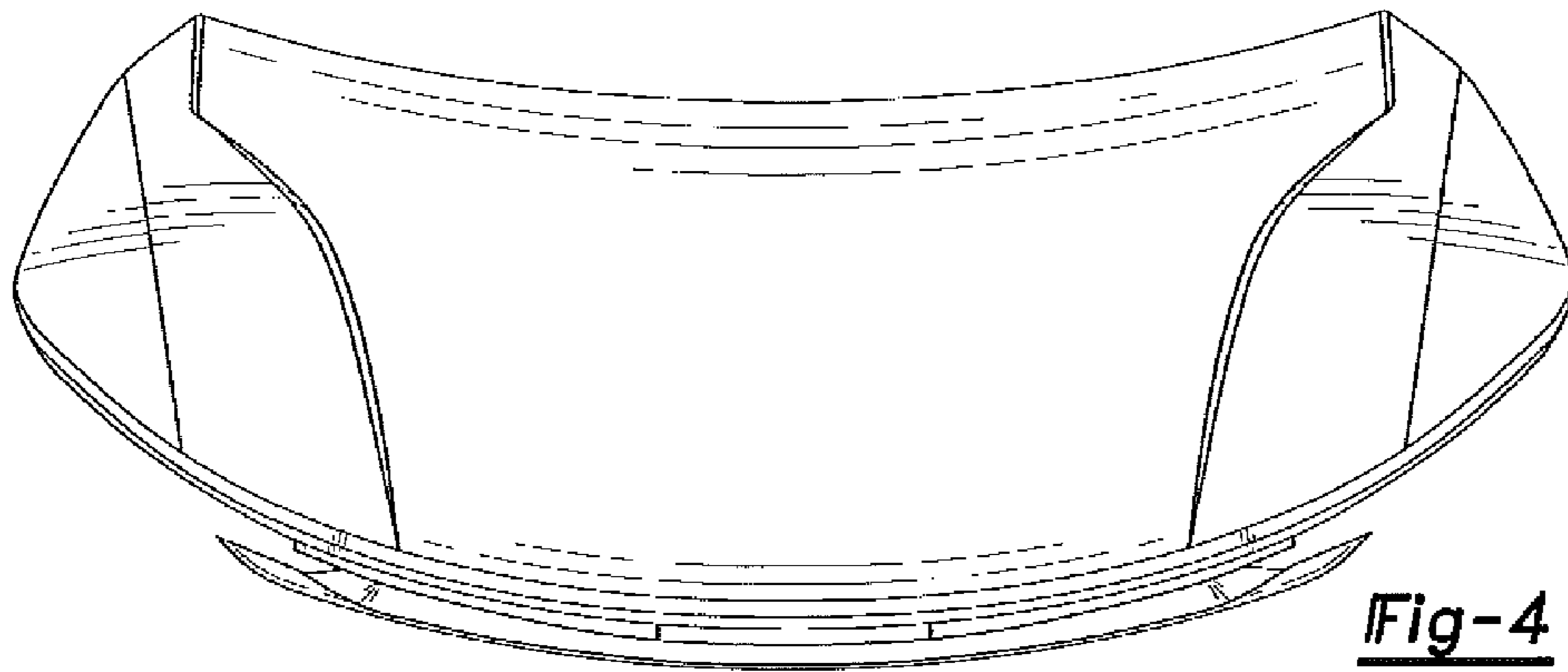


Fig-4