



US00D684513S

(12) **United States Design Patent**
Spencer et al.

(10) **Patent No.:** **US D684,513 S**
(45) **Date of Patent:** **** Jun. 18, 2013**

(54) **LICENSE PLATE FRAME**

(74) *Attorney, Agent, or Firm* — Linda Flewellen Gould

(75) Inventors: **Todd Spencer**, Colorado Springs, CO (US); **Eldon Goates**, Colorado Springs, CO (US); **Bret Zelenka**, Colorado Springs, CO (US); **Michael J. Schwartz**, Colorado Springs, CO (US)

(57) **CLAIM**
The ornamental design for a license plate frame, as shown and described.

(73) Assignee: **Cruiser Accessories, LLC**, Monument, CO (US)

DESCRIPTION

(**) Term: **14 Years**

(21) Appl. No.: **29/421,718**

(22) Filed: **Sep. 10, 2012**

(51) **LOC (9) Cl.** **12-16**

(52) **U.S. Cl.**
USPC **D12/193**

(58) **Field of Classification Search**
USPC D12/193; D6/300–302, 310–314;
40/200–204, 207–214; D20/13; 348/148,
348/373

See application file for complete search history.

FIG. 1 is a perspective front view showing our new design for a license plate frame.

FIG. 2 is a top view of the license plate frame of the present invention.

FIG. 3 is a front view of the license plate frame of the present invention.

FIG. 4 is a right side view of the license plate frame of the present invention, the left side view being the mirror image thereof.

FIG. 5 is a bottom view of the license plate frame of the present invention.

FIG. 6 is a back view of the license plate frame of the present invention.

FIG. 7 is a perspective view showing a second embodiment of our design for a license plate frame, with two ornaments attached on the bottom rung of the frame.

FIG. 8 is a top view of the second embodiment of the license plate frame shown in FIG. 7.

FIG. 9 is a front view of the second embodiment of the license plate frame shown in FIG. 7.

FIG. 10 is a right side view of the second embodiment of the license plate frame shown in FIG. 7, the left side view being the mirror image thereof.

FIG. 11 is a bottom view of the second embodiment of the license plate frame shown in FIG. 7; and,

FIG. 12 is a back view of the second embodiment of the license plate frame shown in FIG. 7.

(56) **References Cited**

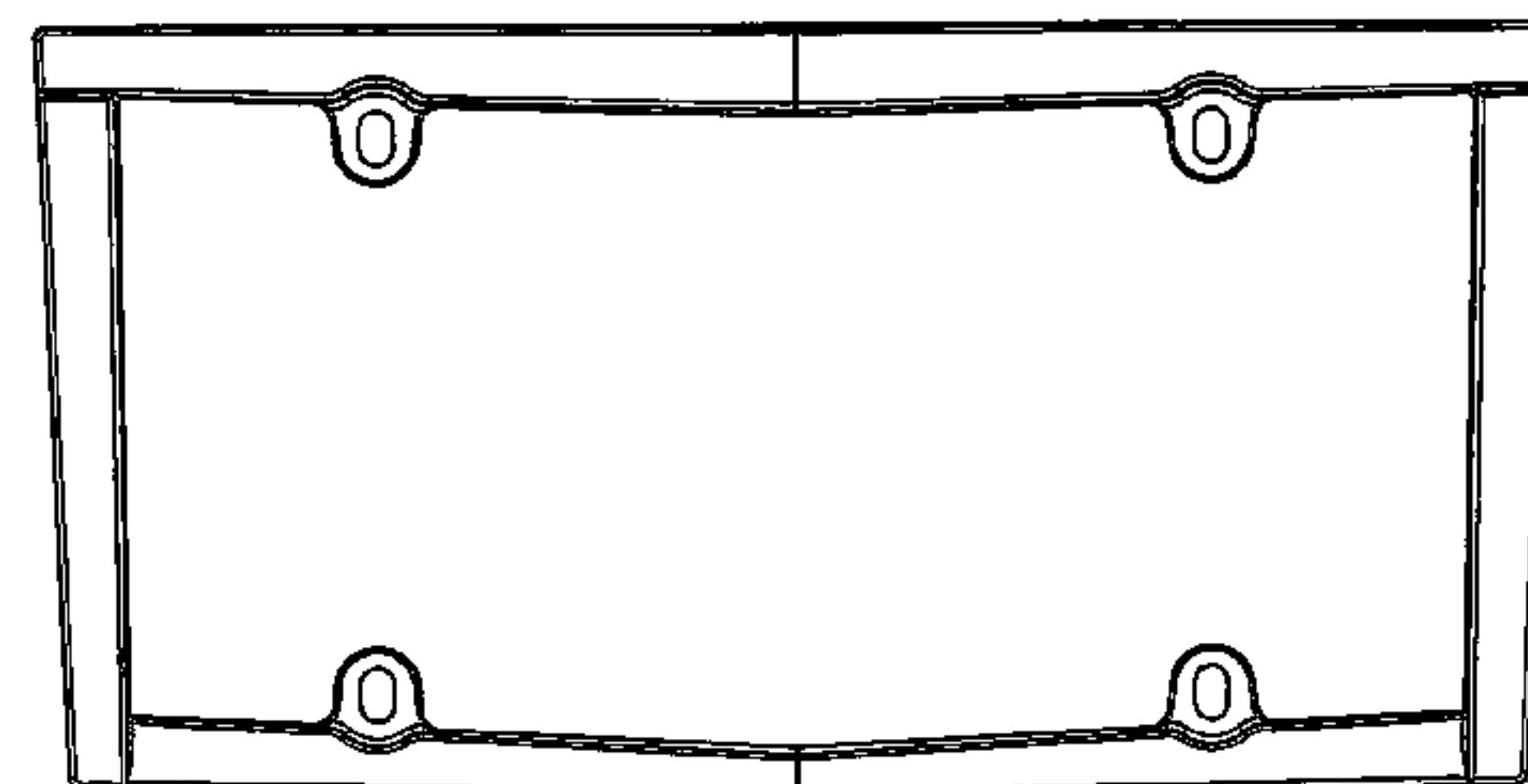
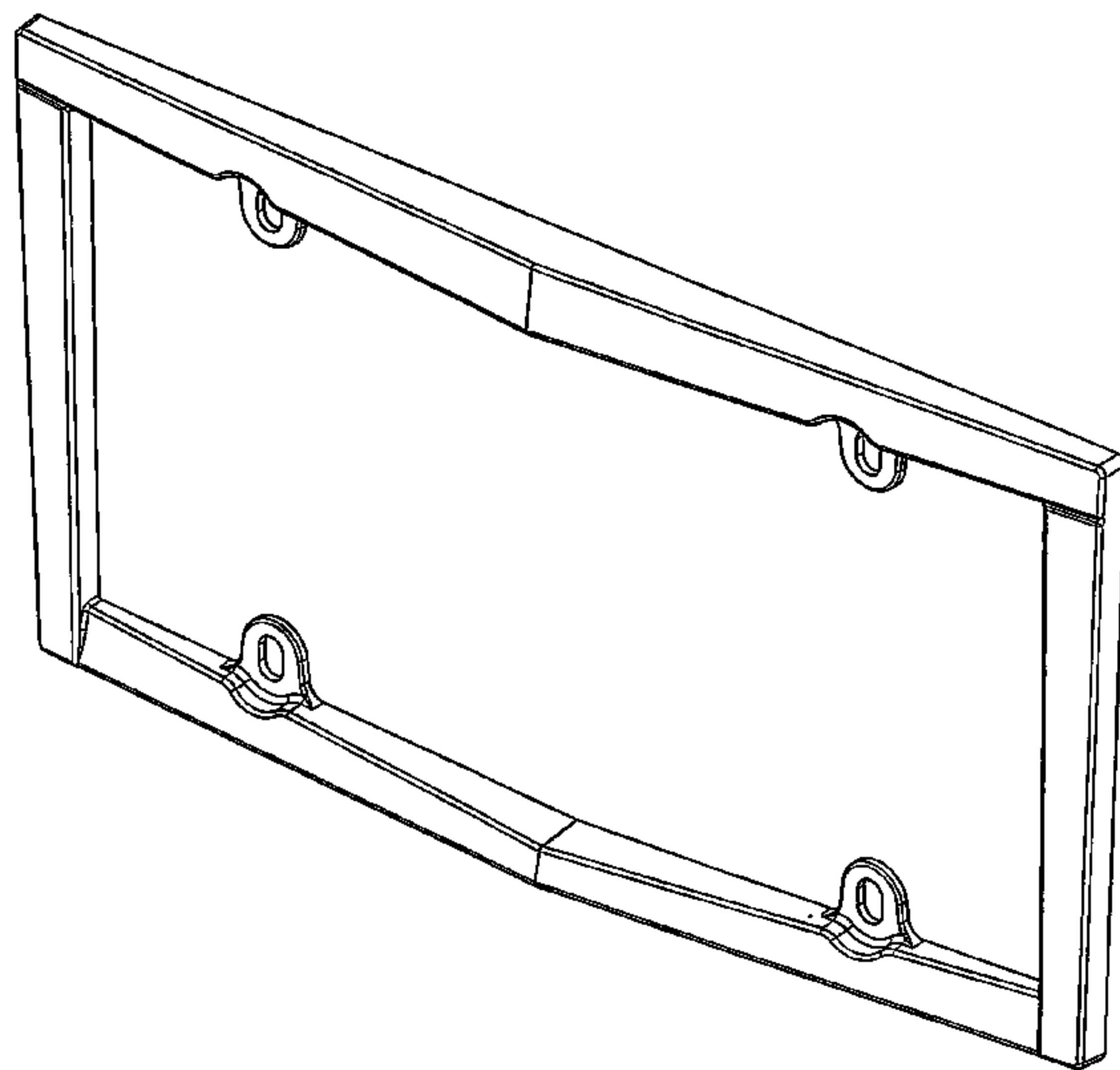
U.S. PATENT DOCUMENTS

D177,281 S *	3/1956	Schwartz	D12/193
D367,459 S *	2/1996	Spencer	D12/193
D416,527 S *	11/1999	Steinhagen	D12/193
D437,816 S *	2/2001	Hussaini et al.	D12/193
D455,106 S *	4/2002	Yang	D12/193
D648,663 S *	11/2011	Lee	D12/193
D652,360 S *	1/2012	Drew	D12/193

* cited by examiner

Primary Examiner — Stacia Cadmus

1 Claim, 6 Drawing Sheets



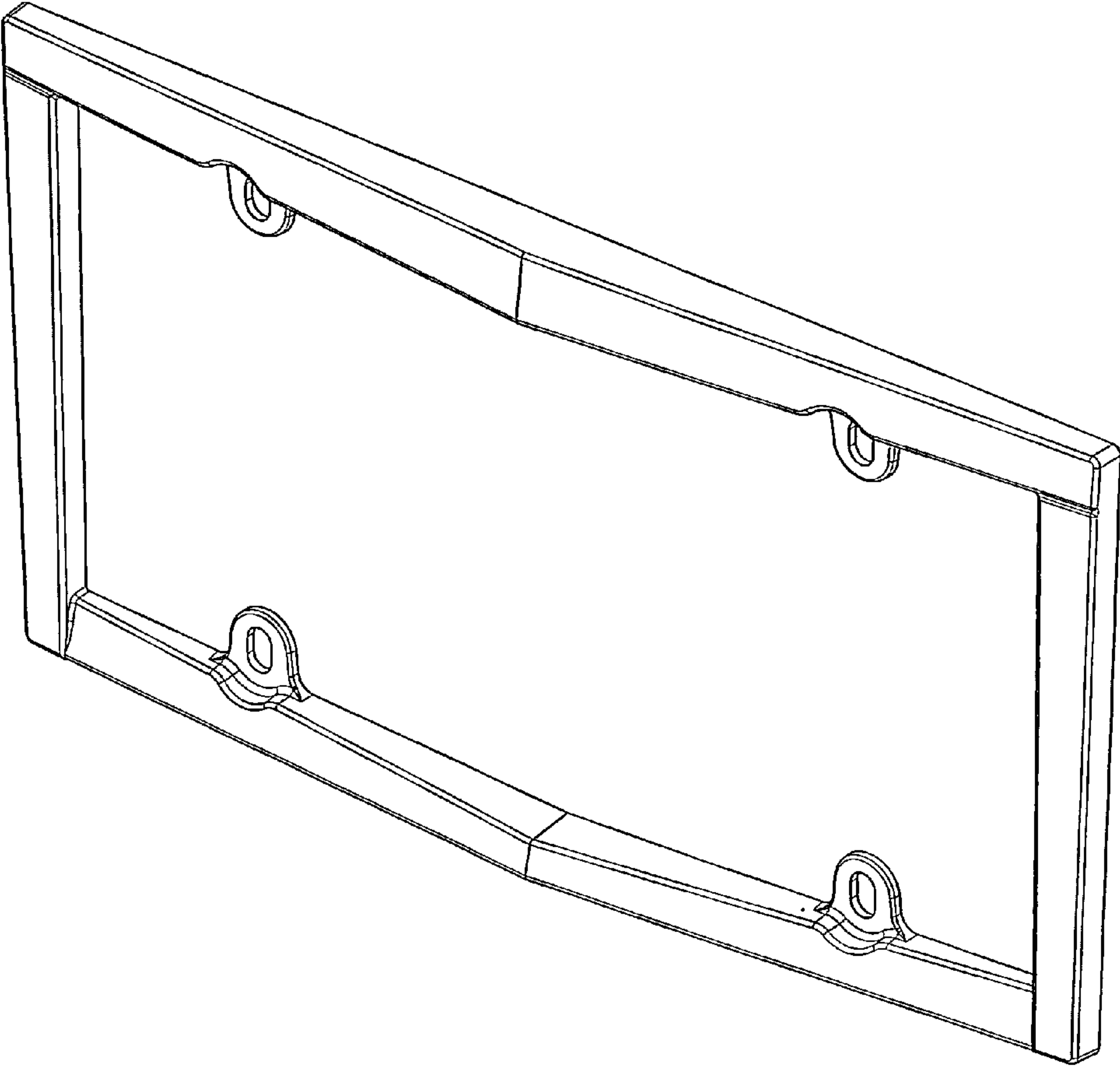


Figure 1

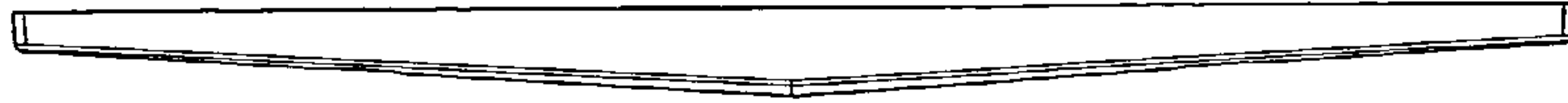


Figure 2

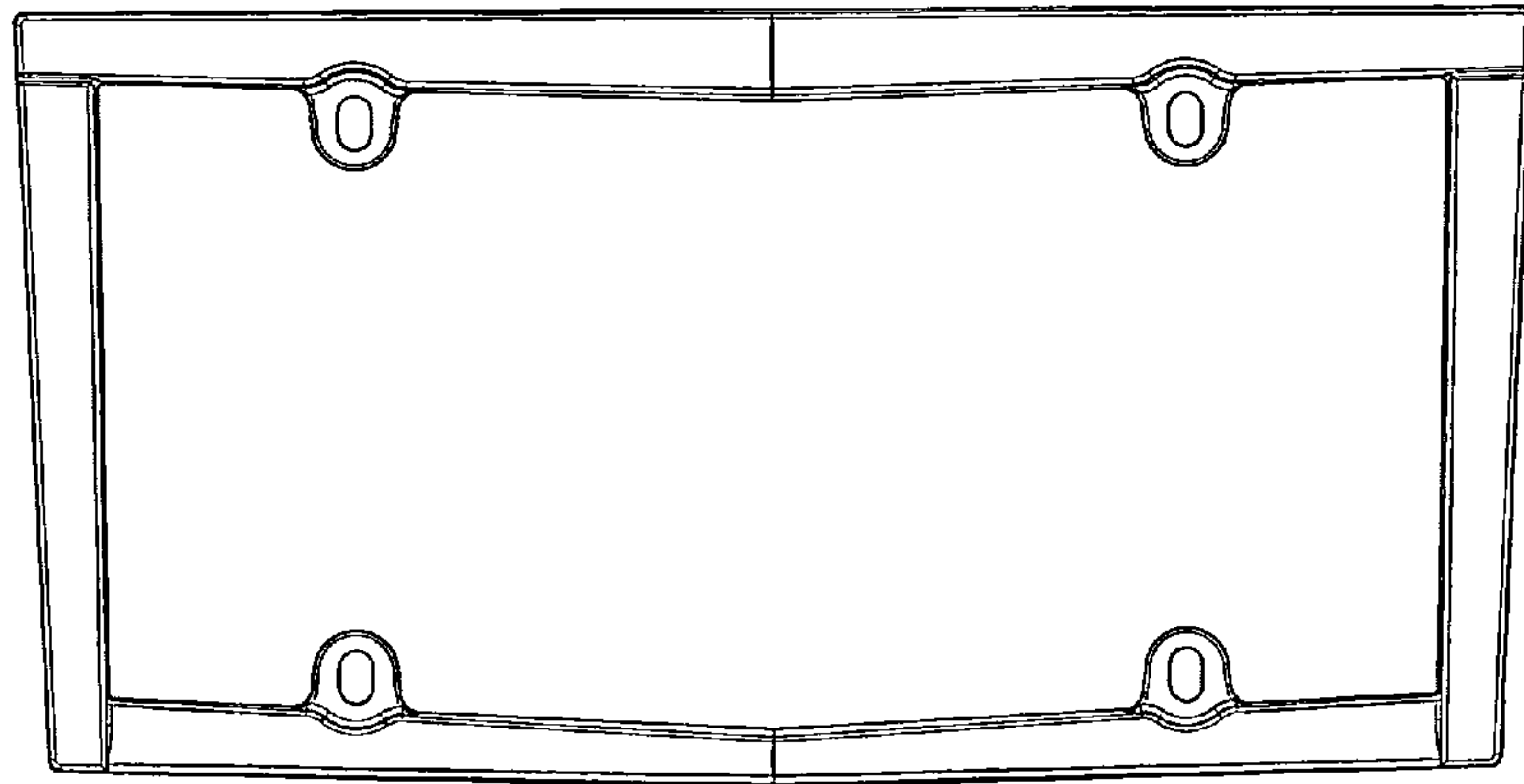


Figure 3

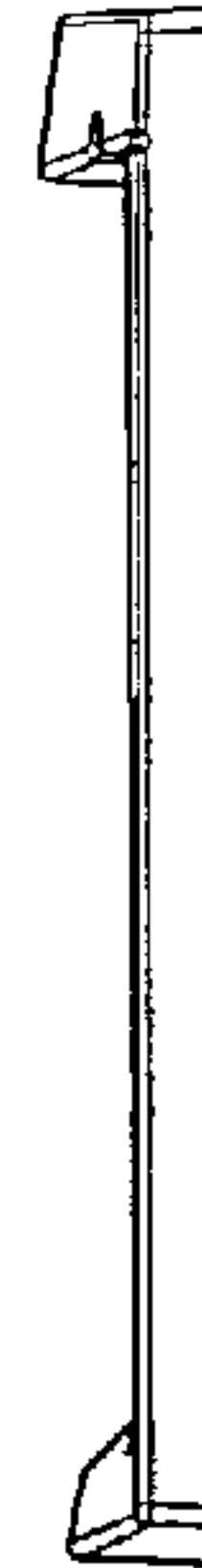


Figure 4

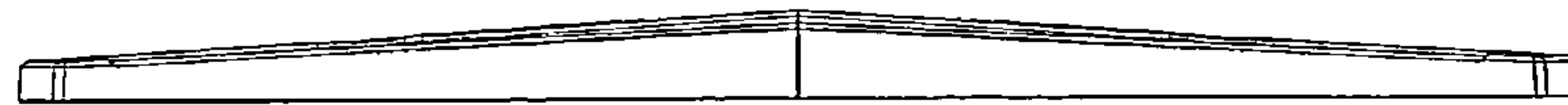


Figure 5

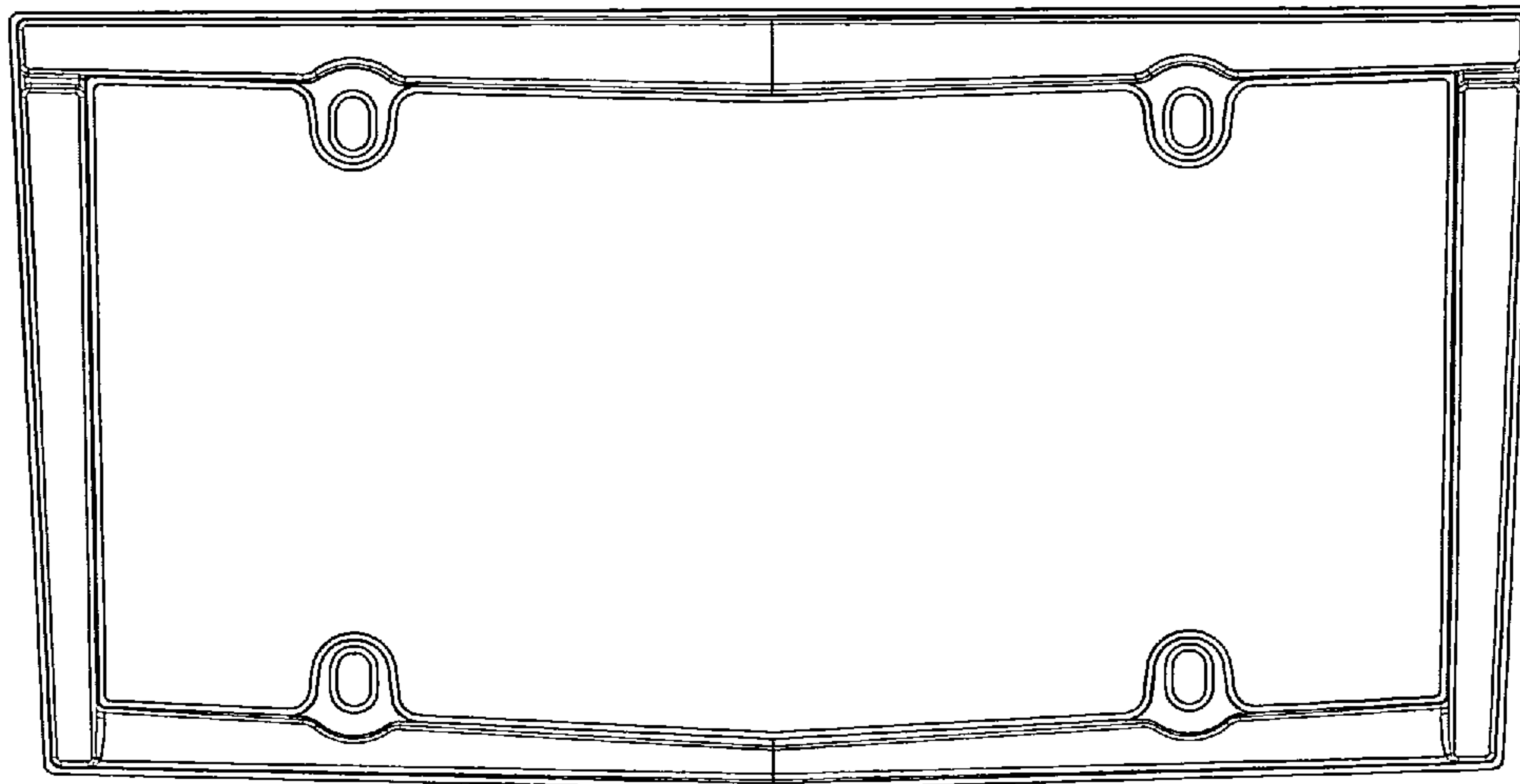


Figure 6

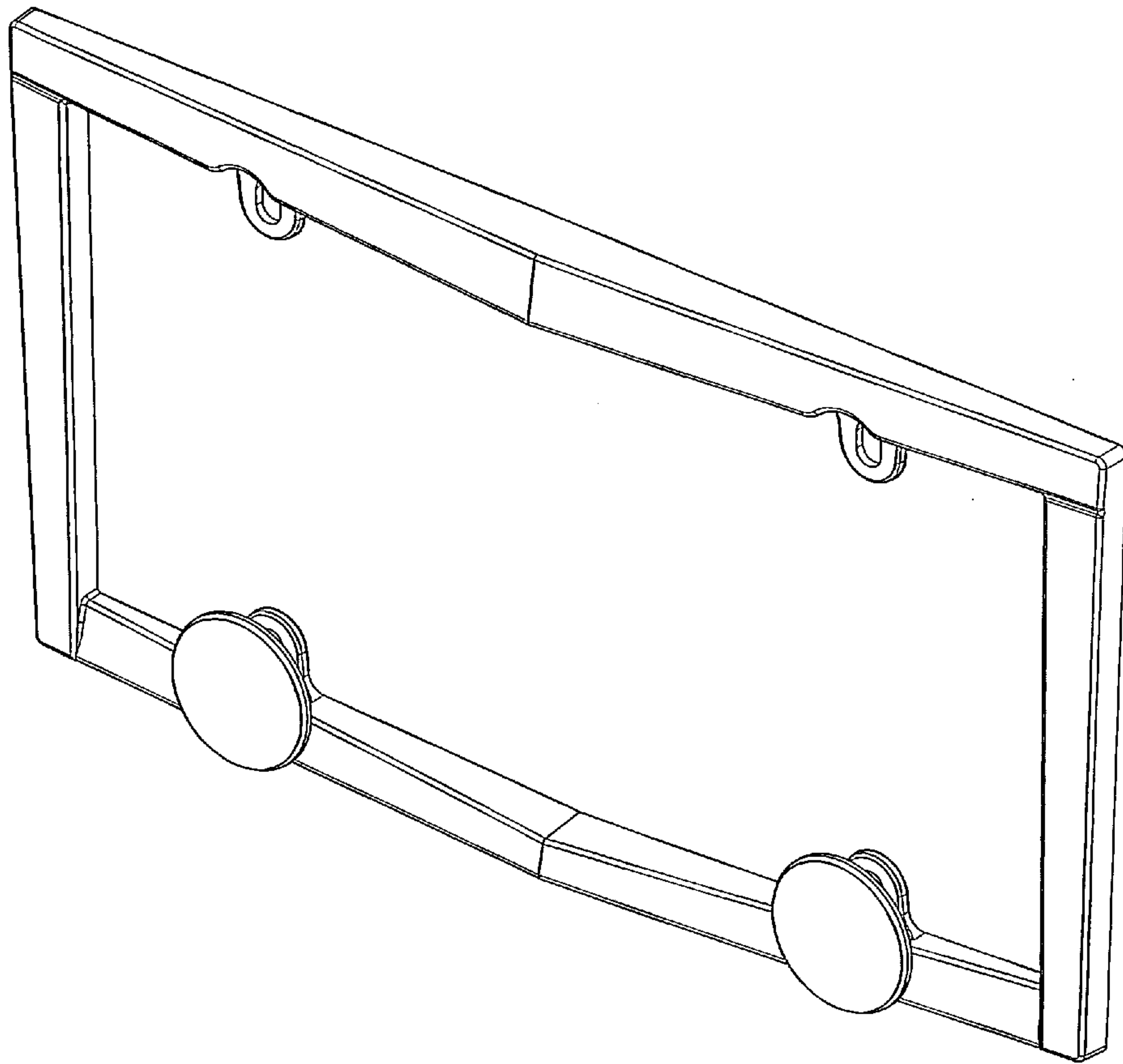


Figure 7

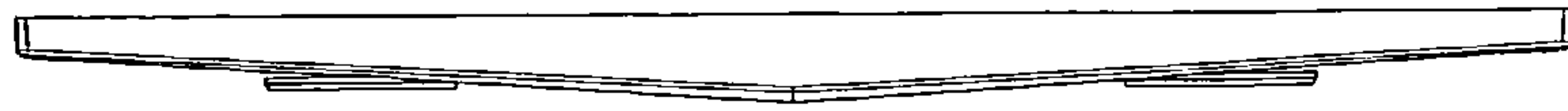


Figure 8

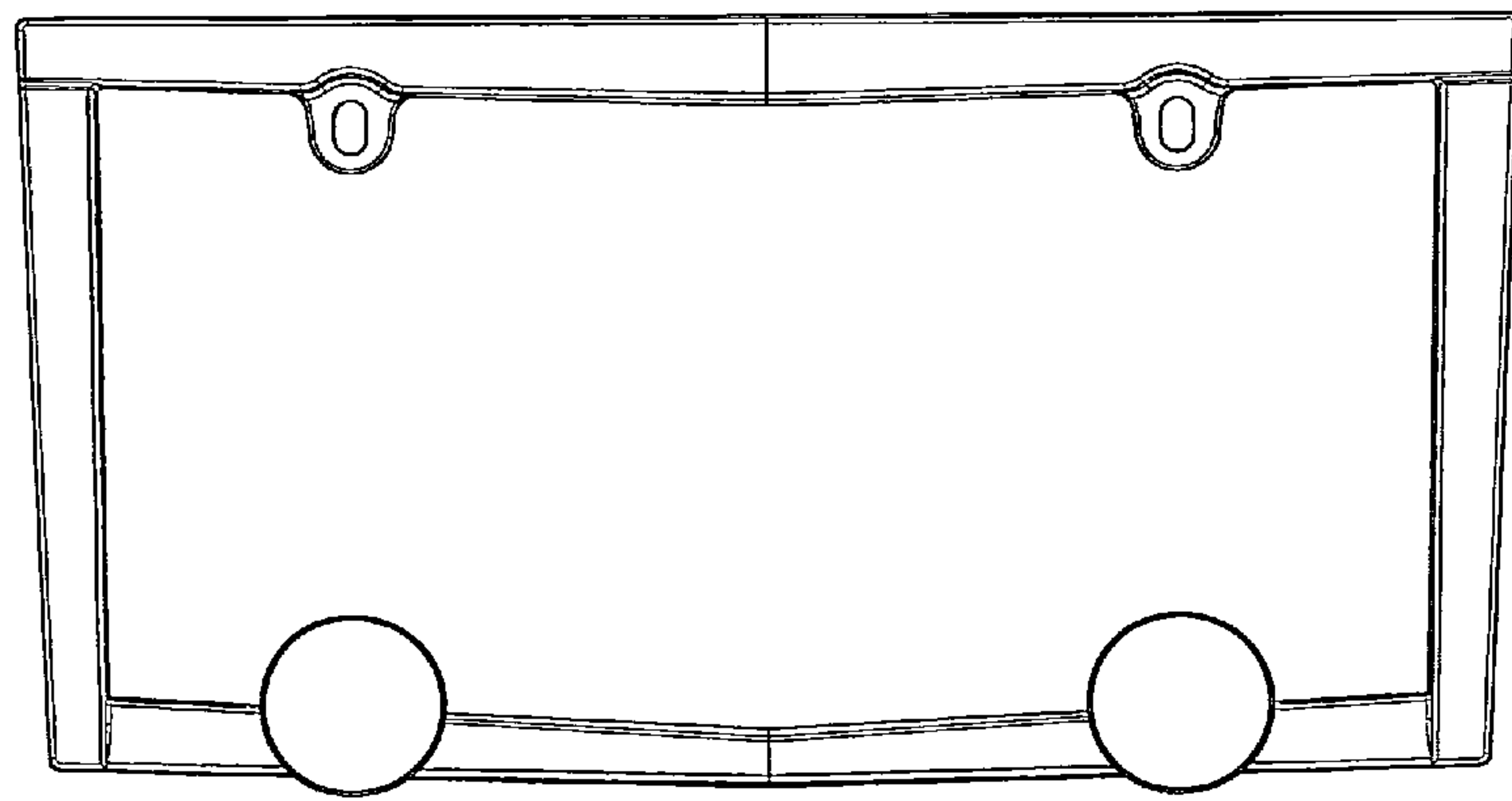


Figure 9

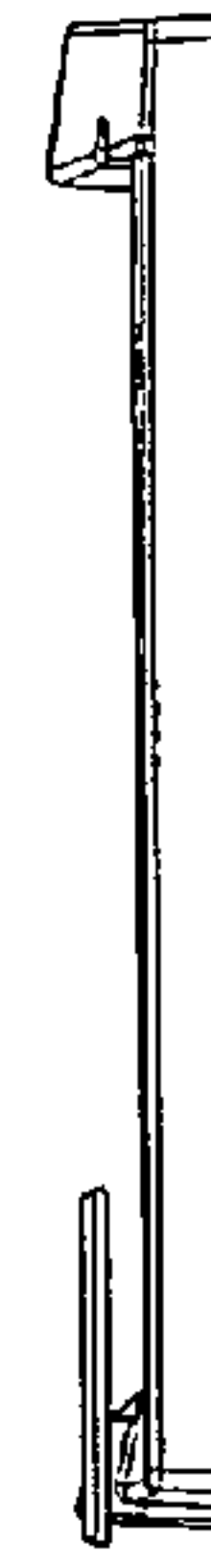


Figure 10

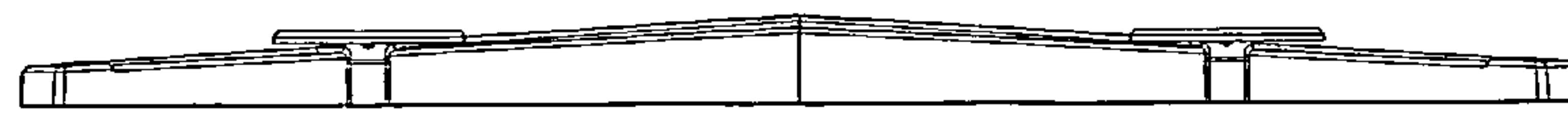


Figure 11

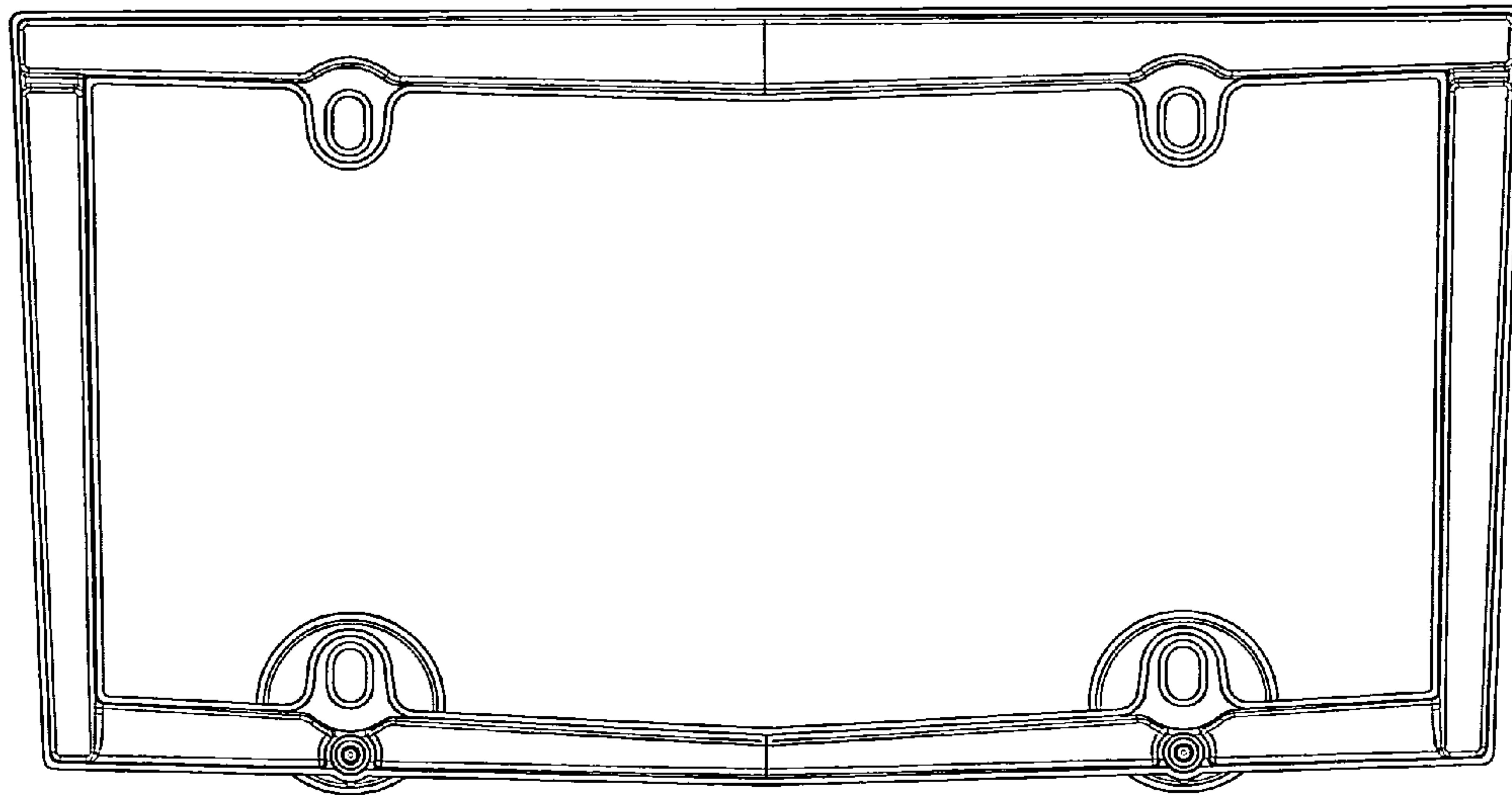


Figure 12