



US00D684509S

(12) **United States Design Patent**
Noll

(10) **Patent No.:** **US D684,509 S**

(45) **Date of Patent:** **** Jun. 18, 2013**

(54) **AUTOMOBILE BUMPER ACCESSORY**

(76) Inventor: **Charles Douglas Noll**, Lafayette, CA
(US)

(**) Term: **14 Years**

(21) Appl. No.: **29/388,912**

(22) Filed: **Apr. 4, 2011**

(51) **LOC (9) Cl.** **16-12**

(52) **U.S. Cl.**
USPC **D12/172**

(58) **Field of Classification Search**
USPC . D12/163, 167, 168, 172, 193, 400; 293/108,
293/115, 142; 40/200, 204, 209
See application file for complete search history.

(56) **References Cited**

U.S. PATENT DOCUMENTS

D259,414	S	*	6/1981	Miller	D12/167
D310,198	S	*	8/1990	McNamara	D12/167
D338,861	S	*	8/1993	Lataster	D12/167
D425,837	S	*	5/2000	Runfola	D12/169
D431,506	S	*	10/2000	Runfola	D12/169
D437,810	S	*	2/2001	Runfola	D12/167
D486,767	S	*	2/2004	Bulger	D12/172

6,837,534	B2	*	1/2005	O'Connell	296/115
D515,989	S	*	2/2006	Choi et al.	D12/169
D537,765	S	*	3/2007	Porter	D12/193
7,316,433	B2	*	1/2008	Levine	293/142
D567,156	S	*	4/2008	Hutchins	D12/169
7,740,295	B2	*	6/2010	Rein	293/142
D624,471	S	*	9/2010	Green	D12/169
2005/0218673	A1	*	10/2005	Murray et al.	293/115
2006/0156595	A1	*	7/2006	Kasak et al.	40/209
2006/0191173	A1	*	8/2006	Levine	40/209

* cited by examiner

Primary Examiner — Philip S Hyder

Assistant Examiner — John T Applewhite

(57) **CLAIM**

The ornamental design for an automobile bumper accessory, as shown.

DESCRIPTION

FIG. 1 is a Perspective view of an automobile bumper accessory;

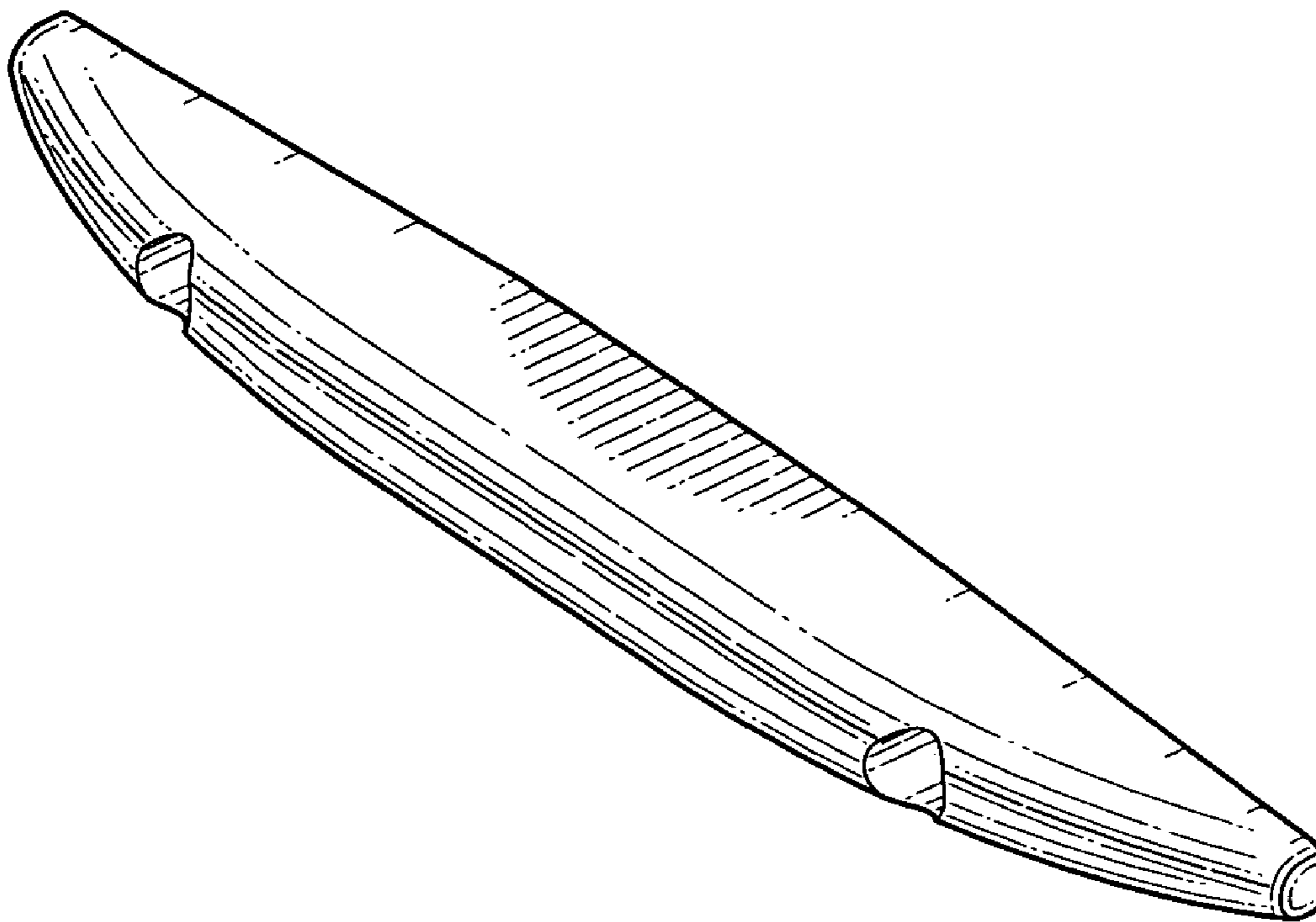
FIG. 2 is a Top Plan view thereof;

FIG. 3 is a Bottom Plan view thereof;

FIG. 4 is a Side Elevation view thereof; and,

FIG. 5 is an End Elevation view thereof.

1 Claim, 1 Drawing Sheet



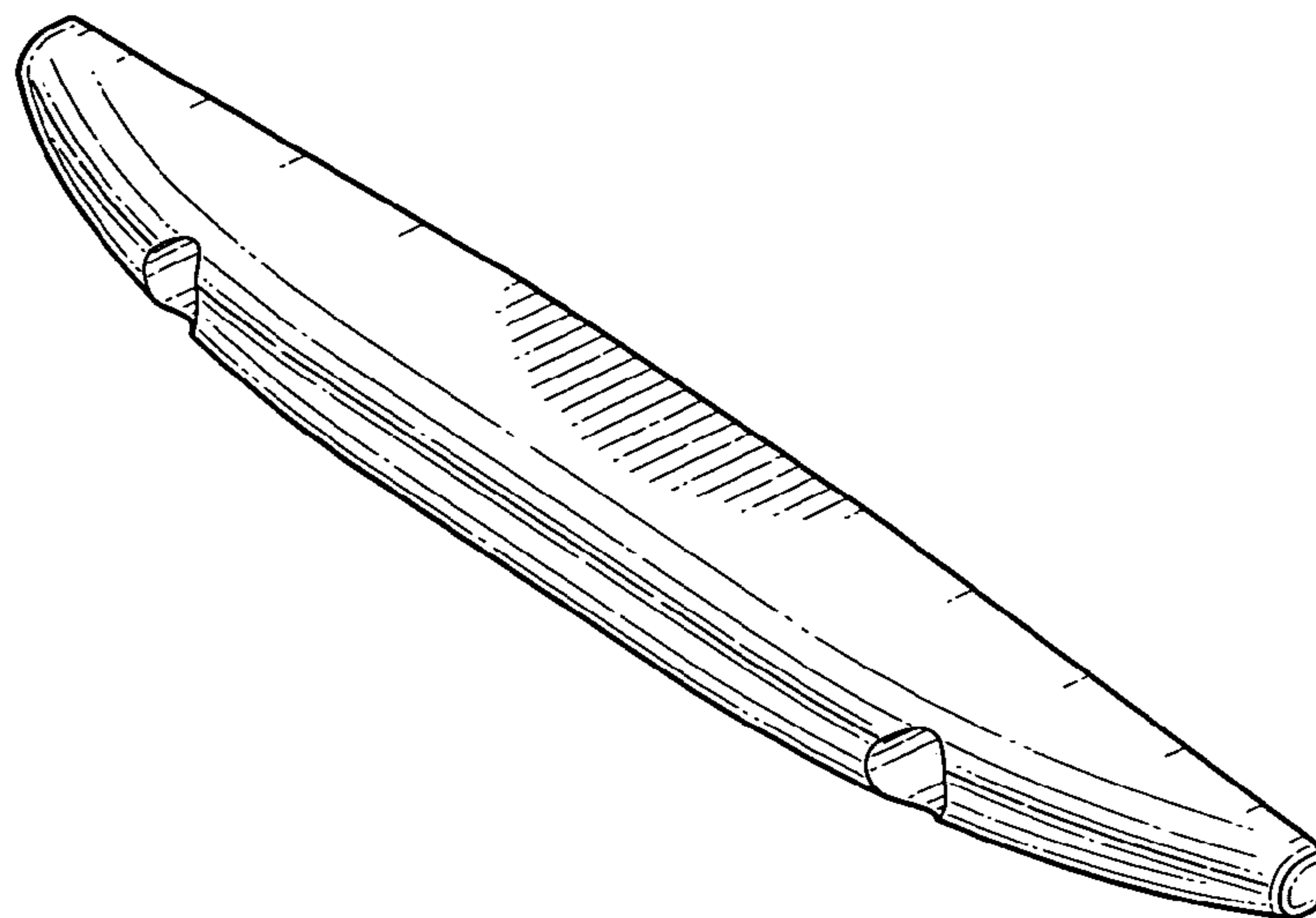


FIG. 1

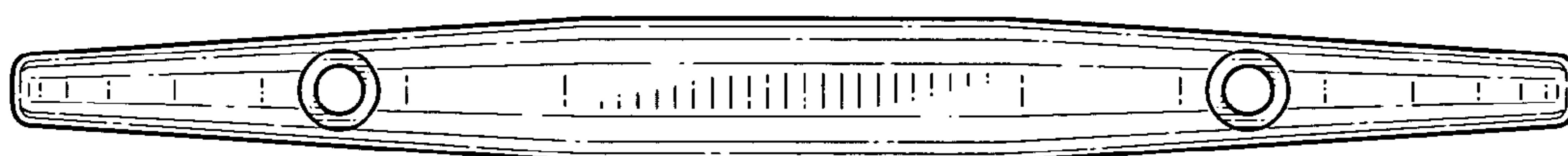


FIG. 2

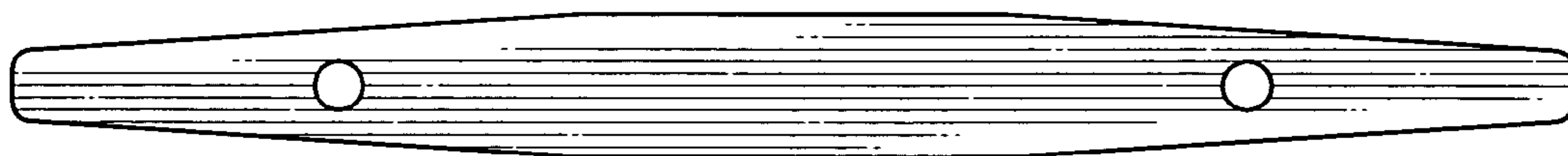


FIG. 3

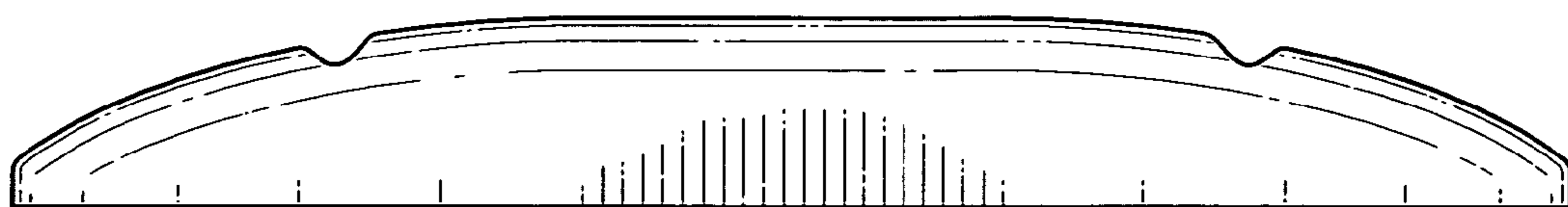


FIG. 4

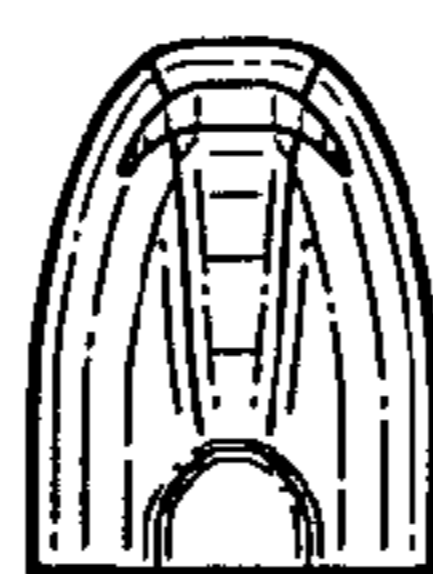


FIG. 5