



US00D684504S

(12) **United States Design Patent**  
**Renner**

(10) **Patent No.:** **US D684,504 S**  
(45) **Date of Patent:** **\*\* Jun. 18, 2013**

(54) **MOTORCYCLE**

(75) Inventor: **Nicholas Renner**, Irvine, CA (US)

(73) Assignee: **Honda Motor Co., Ltd.**, Tokyo (JP)

(\*\*) Term: **14 Years**

(21) Appl. No.: **29/427,702**

(22) Filed: **Jul. 20, 2012**

**Related U.S. Application Data**

(63) Continuation-in-part of application No. 29/381,225, filed on Dec. 16, 2010, now Pat. No. Des. 666,529.

(51) **LOC (9) Cl.** ..... **12-11**

(52) **U.S. Cl.**  
USPC ..... **D12/110**

(58) **Field of Classification Search**  
USPC ..... D12/110; 180/219, 220  
See application file for complete search history.

(56) **References Cited**

**U.S. PATENT DOCUMENTS**

D511,718 S \* 11/2005 Manchester et al. .... D12/110  
D582,319 S \* 12/2008 Miwa et al. .... D12/110  
D626,036 S \* 10/2010 Yamazumi et al. .... D12/110

**OTHER PUBLICATIONS**

2009/2010 International Motorcycle Show. © 2000-2011. The Furious Fury A on p.3 of 11. [Retrieved on Aug. 15,2011]. Retrieved from the Internet <URL:http://www.bikeland.org/story.php?storyID=59365>.\*

2009 Honda Fury Chopper Slip-ons. © 2011. [Retrieved on Aug. 15, 2011]. Retrieved from the Internet <URL://http://www.flickr.com/photos/ddexhaust/4045635072/>.\*

\* cited by examiner

*Primary Examiner* — Susan M Lee

*Assistant Examiner* — Linda G Brooks

(74) *Attorney, Agent, or Firm* — Plumsea Law Group, LLC

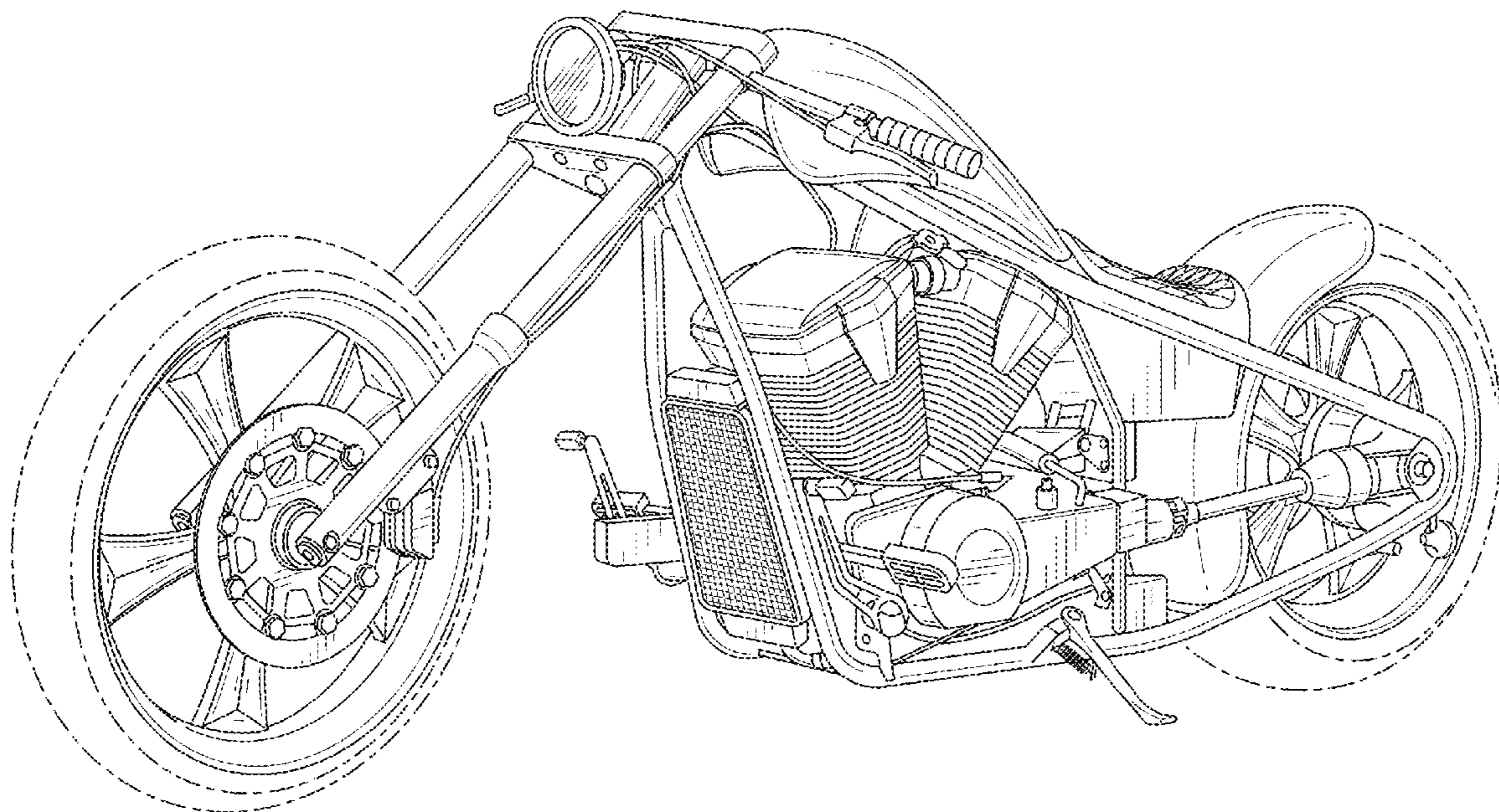
(57) **CLAIM**

The ornamental design for a motorcycle, as shown and described.

**DESCRIPTION**

FIG. 1 is a left frontal perspective view of a motorcycle showing my new design;  
FIG. 2 is a right frontal perspective view thereof;  
FIG. 3 is a right rear perspective view thereof;  
FIG. 4 is a left rear perspective view thereof;  
FIG. 5 is a left side view thereof;  
FIG. 6 is a right side view thereof;  
FIG. 7 is a top view thereof;  
FIG. 8 is a front view thereof; and,  
FIG. 9 is a rear view thereof.  
The broken lines show portions of the motorcycle that form no part of the claimed design.

**1 Claim, 8 Drawing Sheets**



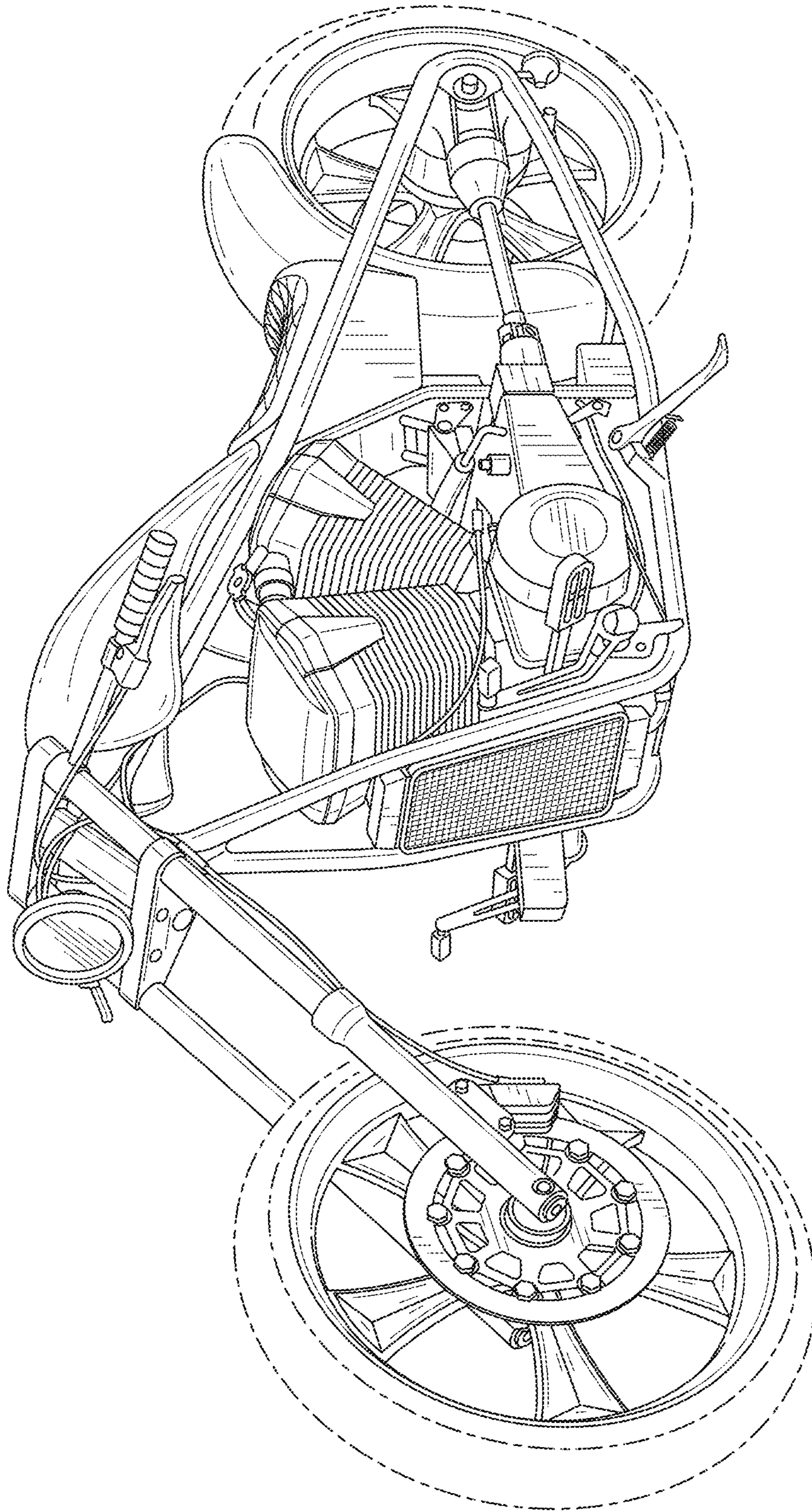


FIG. 1

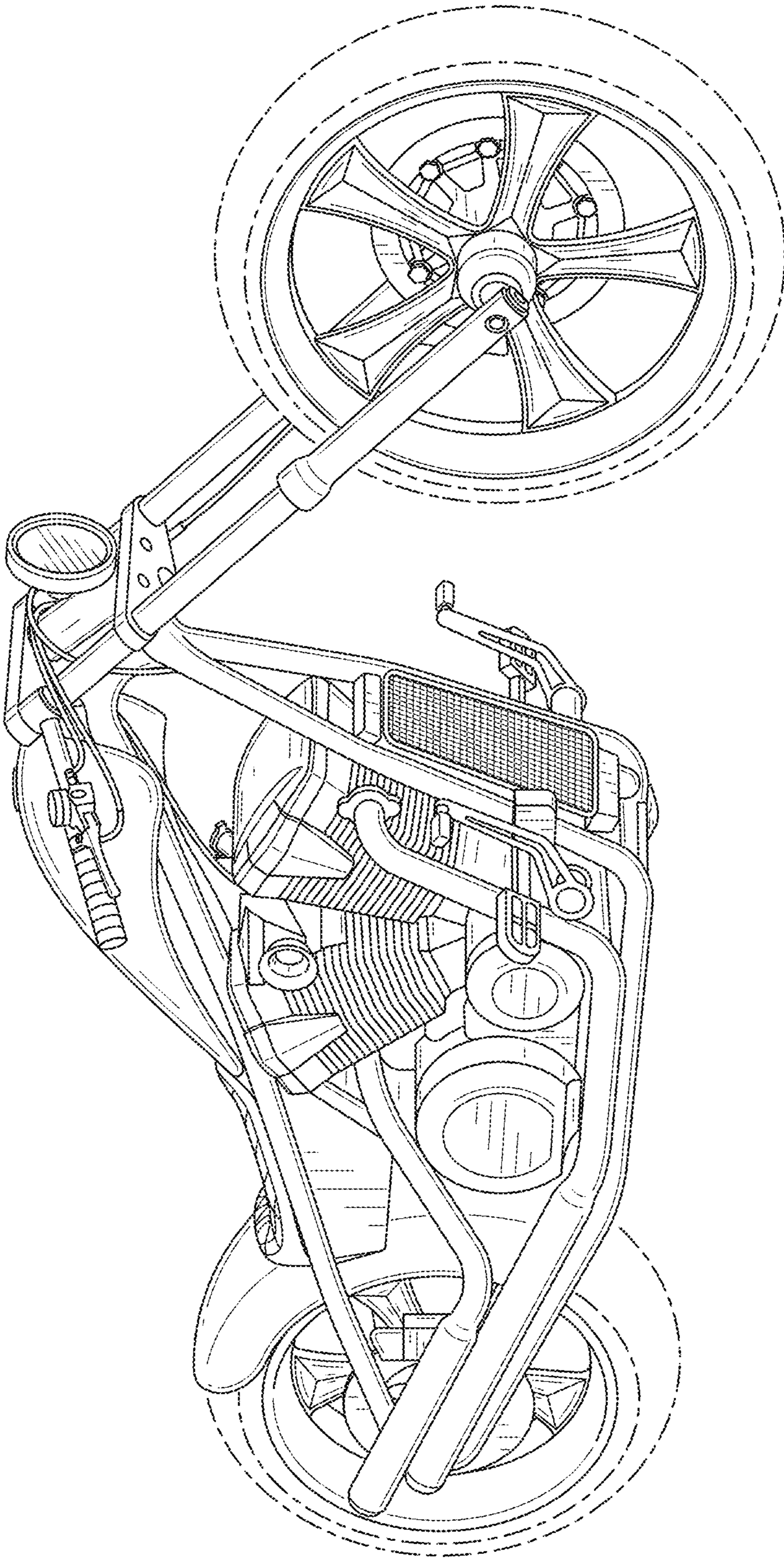


FIG. 2

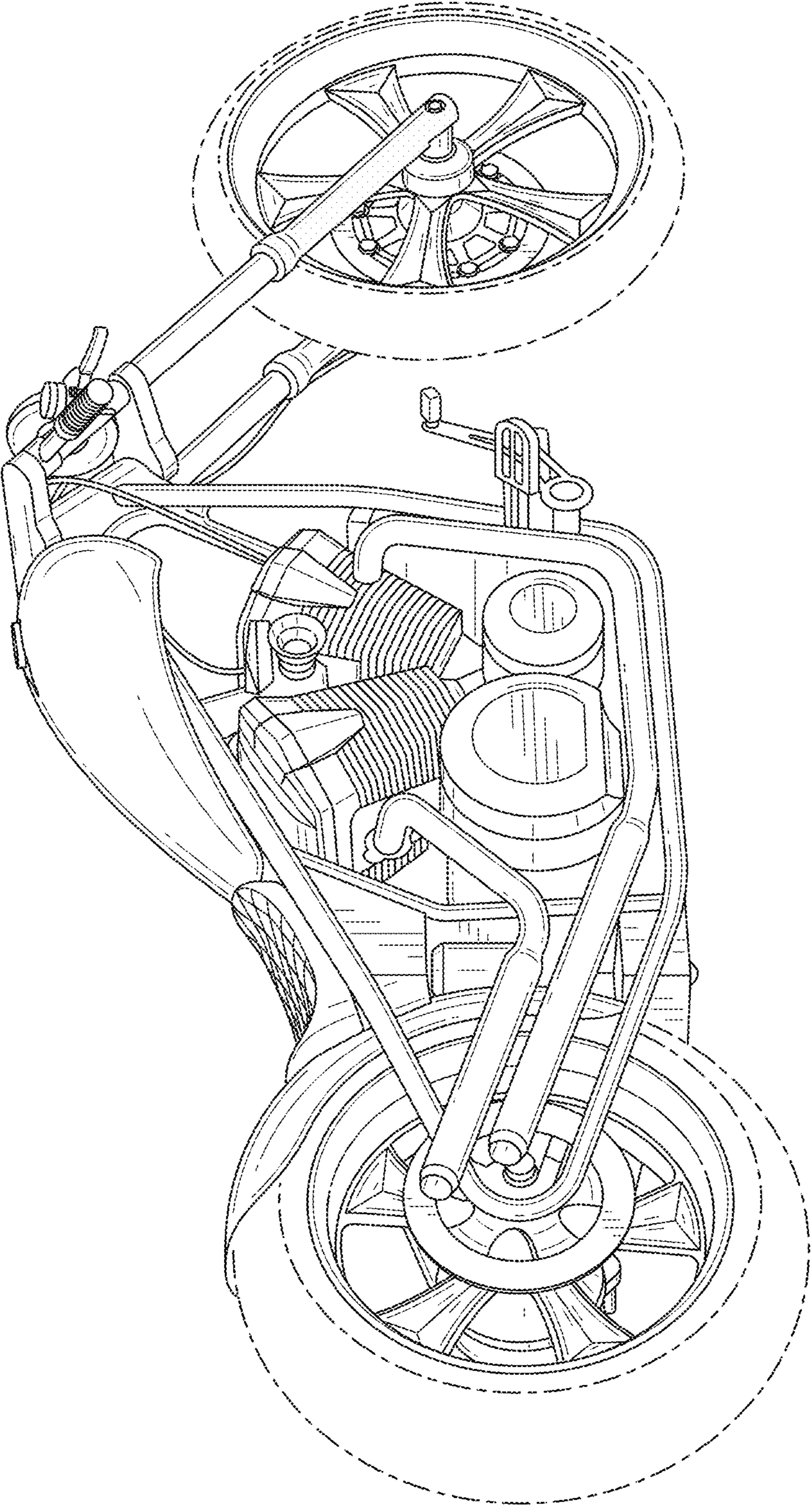


FIG. 3

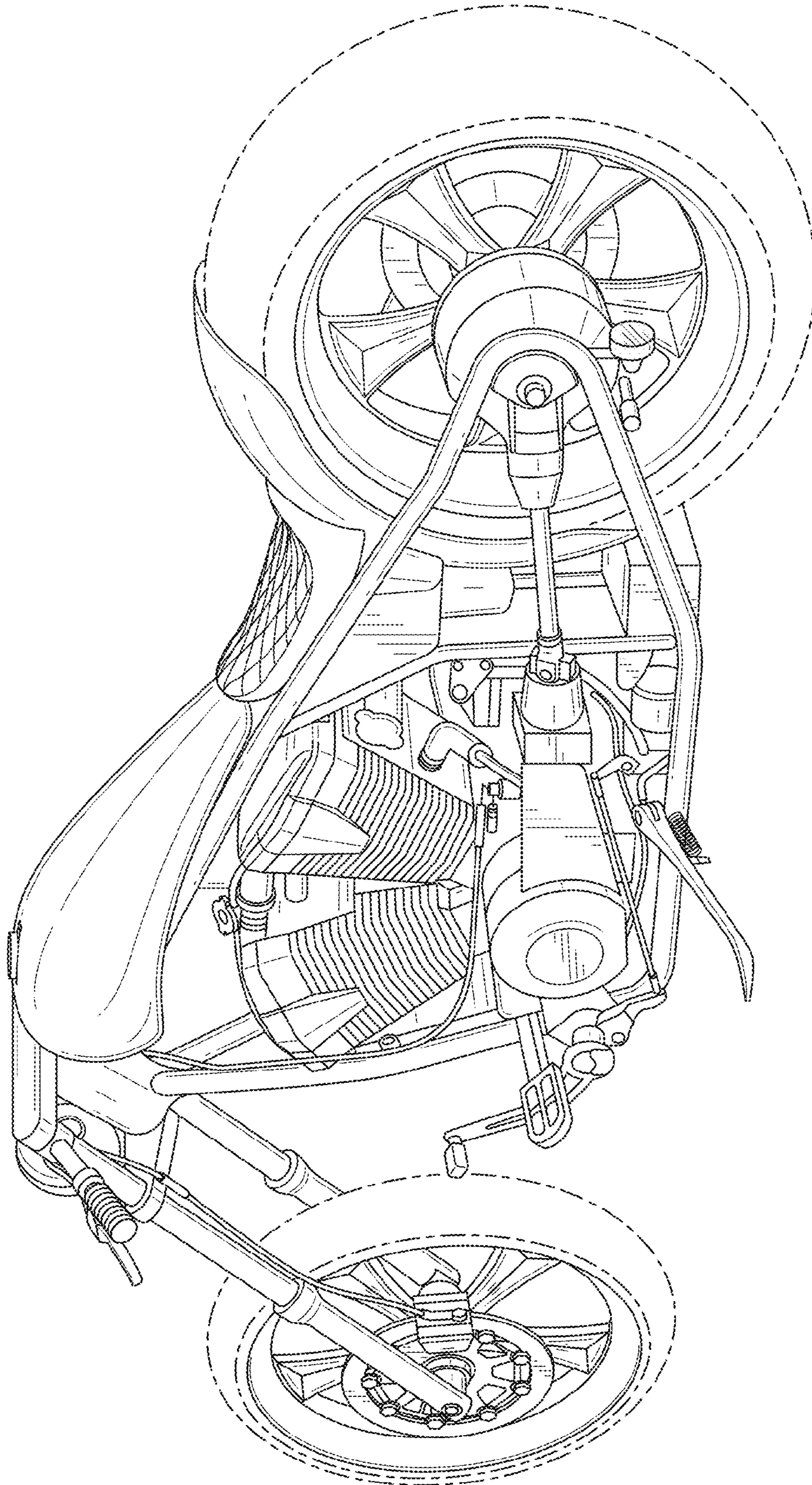


FIG. 4

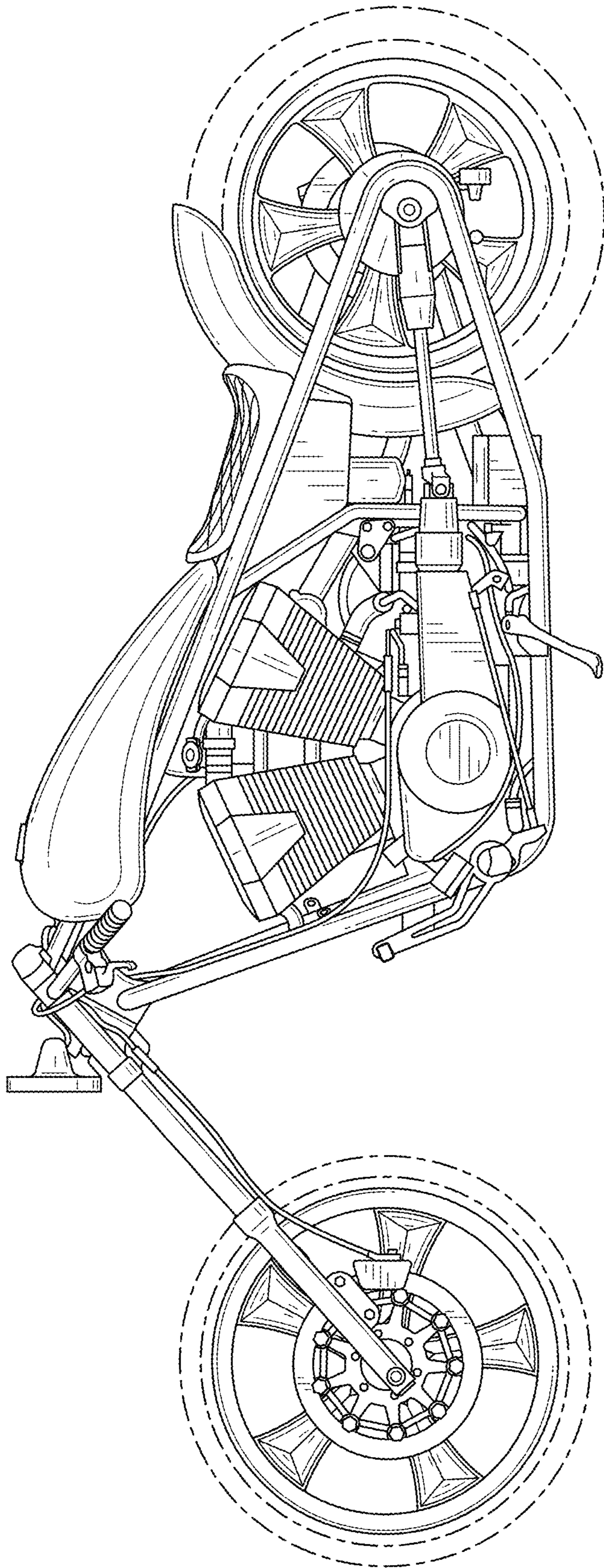


FIG. 5

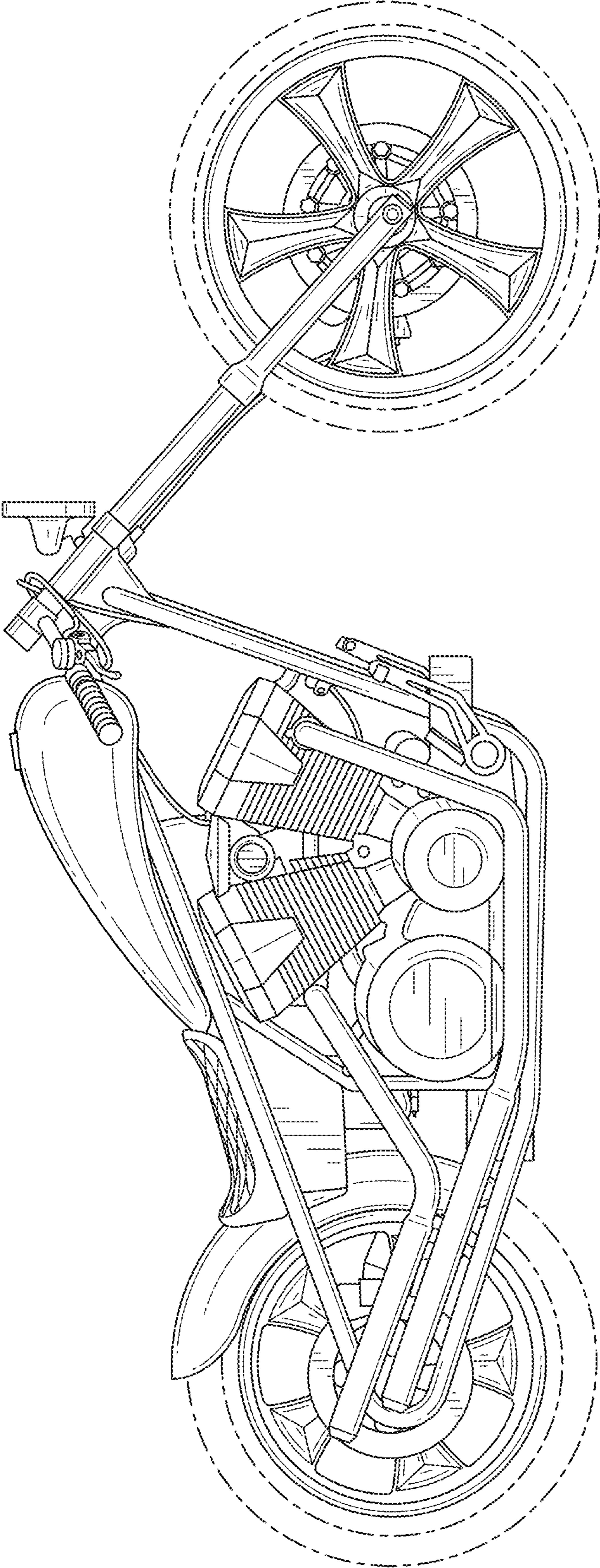


FIG. 6

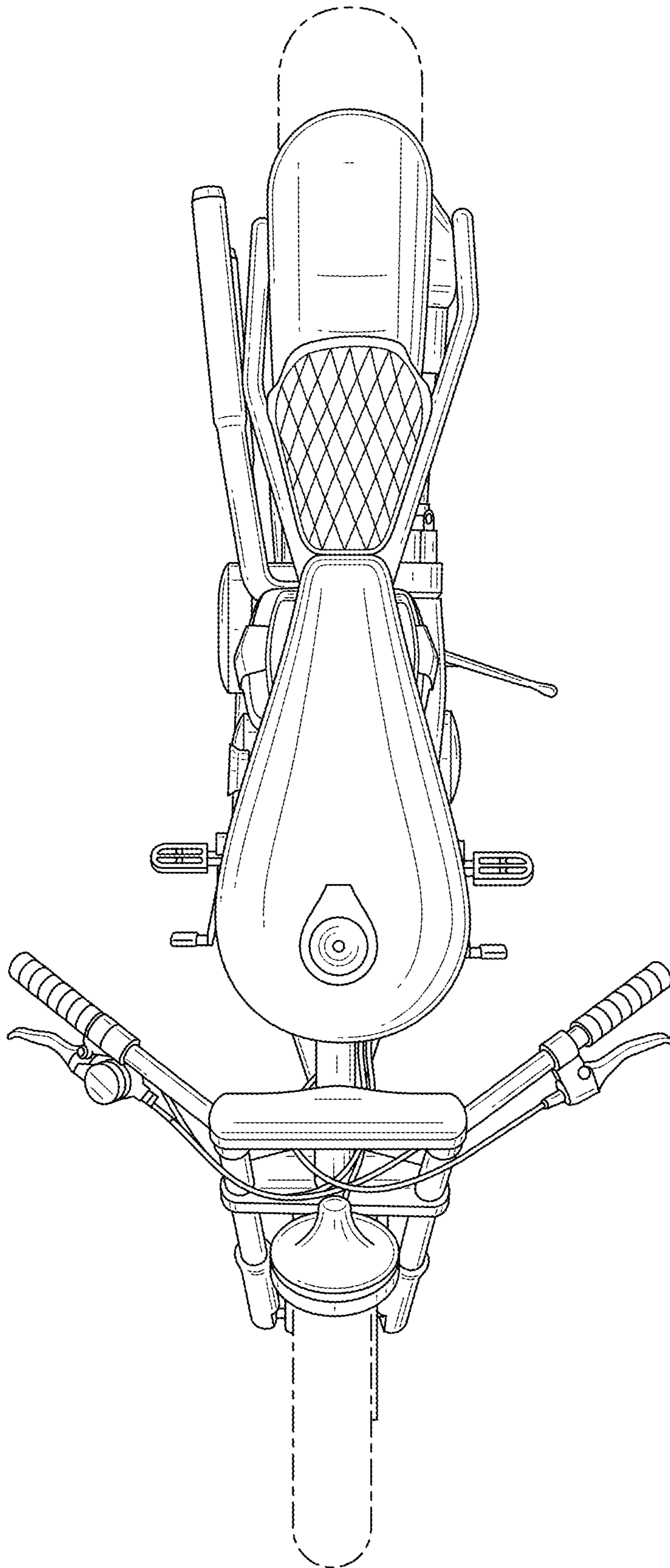


FIG. 7



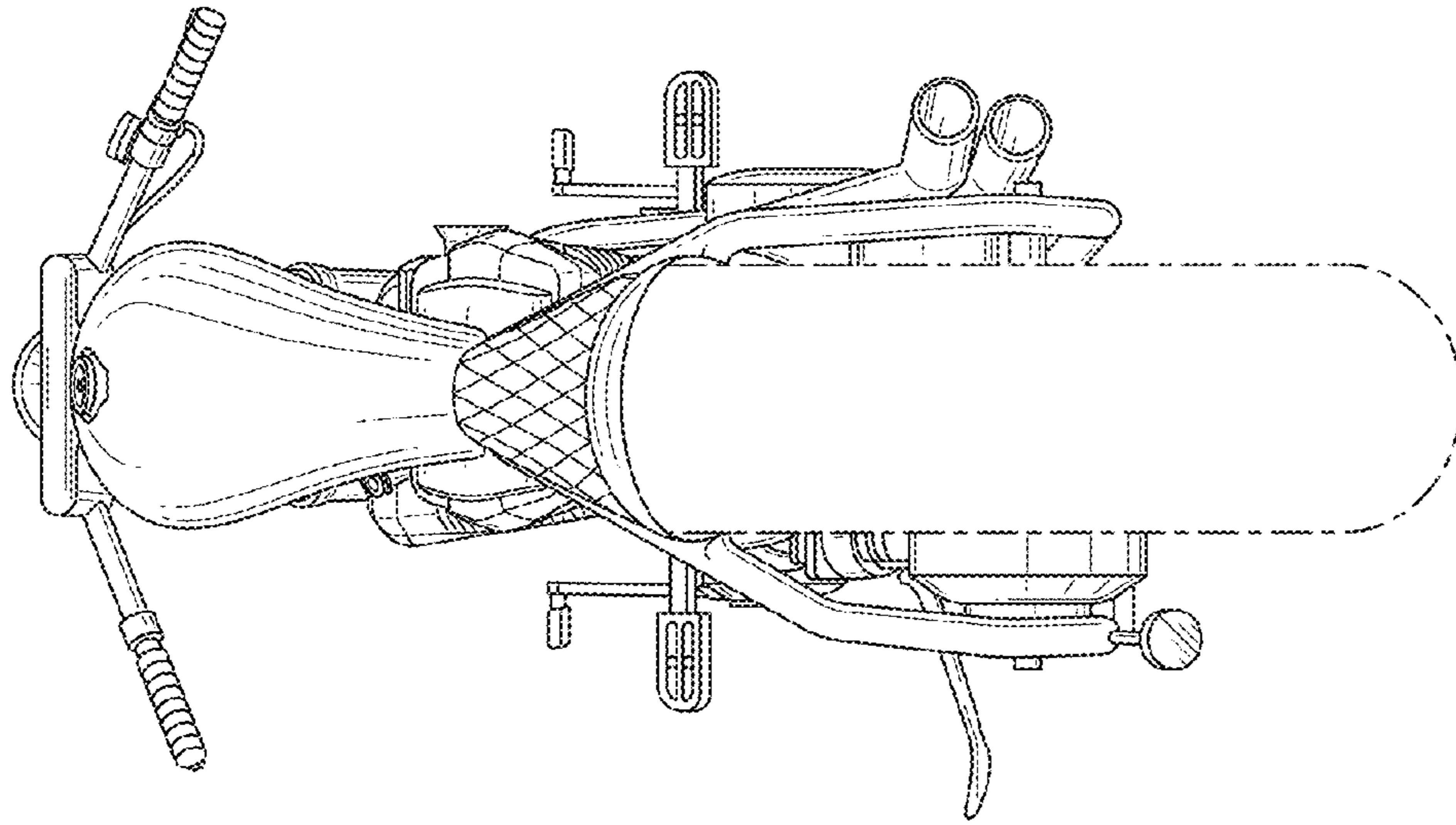


FIG. 9

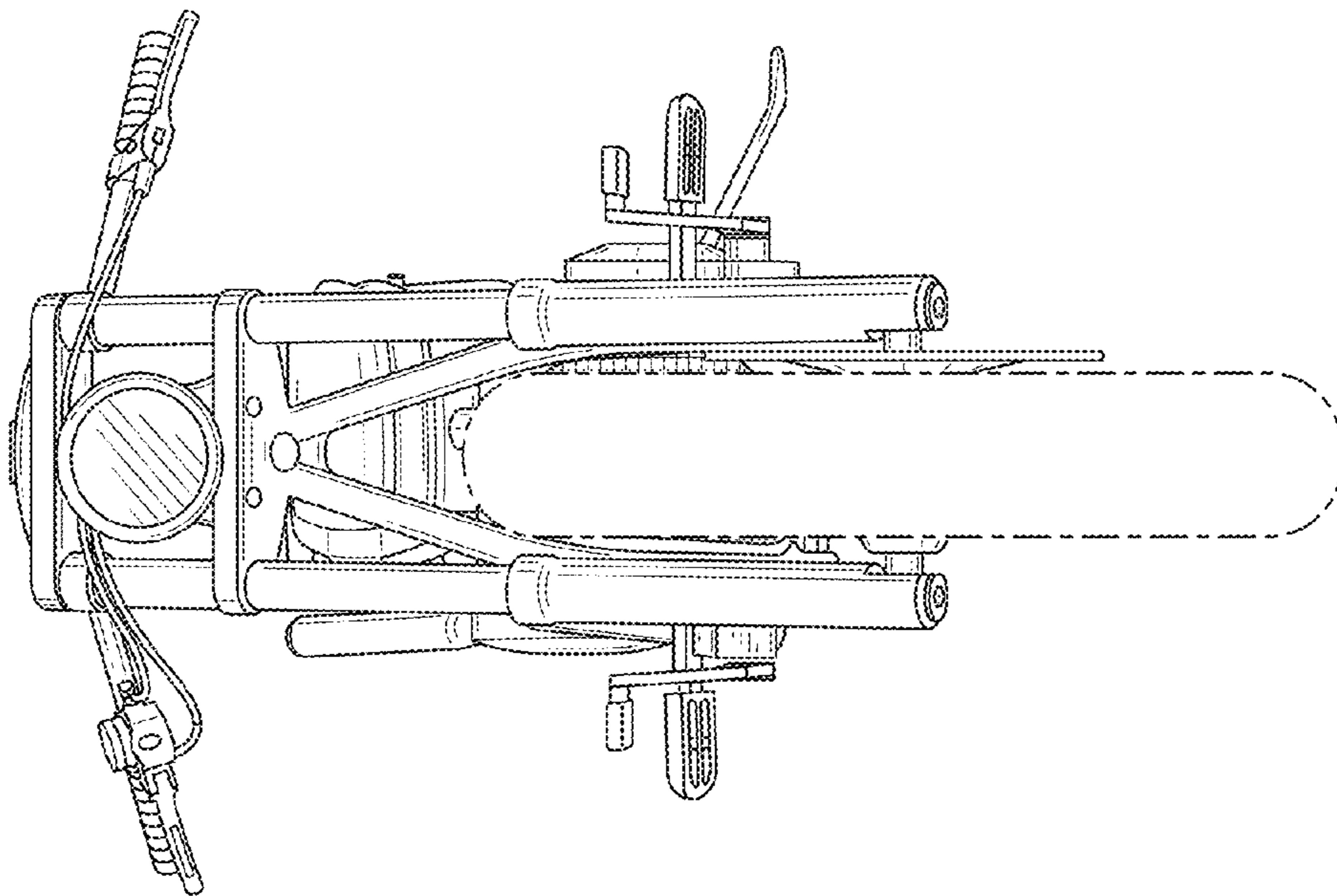


FIG. 8