



US00D684501S

(12) **United States Design Patent**
Tinius

(10) **Patent No.:** **US D684,501 S**

(45) **Date of Patent:** **** Jun. 18, 2013**

(54) **BELT CLIP**

(71) Applicant: **Michael Tinius**, Ulm (DE)

(72) Inventor: **Michael Tinius**, Ulm (DE)

(73) Assignee: **Andreas Stihl AG & Co. KG**,
Waiblingen (DE)

(**) Term: **14 Years**

(21) Appl. No.: **29/432,892**

(22) Filed: **Sep. 21, 2012**

(30) **Foreign Application Priority Data**

Mar. 27, 2012 (EP) 002015685-0003

(51) **LOC (9) Cl.** **02-07**

(52) **U.S. Cl.**
USPC **D11/216**

(58) **Field of Classification Search**
USPC D11/1-2, 200-201, 206-210, 214-218;
24/163 R, 169-171, 173, 177-179, 191,
194-195, 197, 200, 614-616, 625, 635, 650

See application file for complete search history.

(56) **References Cited**

U.S. PATENT DOCUMENTS

4,540,218	A	*	9/1985	Thomas	297/467
4,793,032	A	*	12/1988	Crowle	24/615
D351,122	S	*	10/1994	Janeke	D11/216
D393,818	S	*	4/1998	Krauss	D11/216
D637,518	S	*	5/2011	Chen	D11/216

* cited by examiner

Primary Examiner — Ralf Seifert

(74) *Attorney, Agent, or Firm* — McGuireWoods LLP

(57) **CLAIM**

I claim the ornamental design for a belt cup, as shown and described.

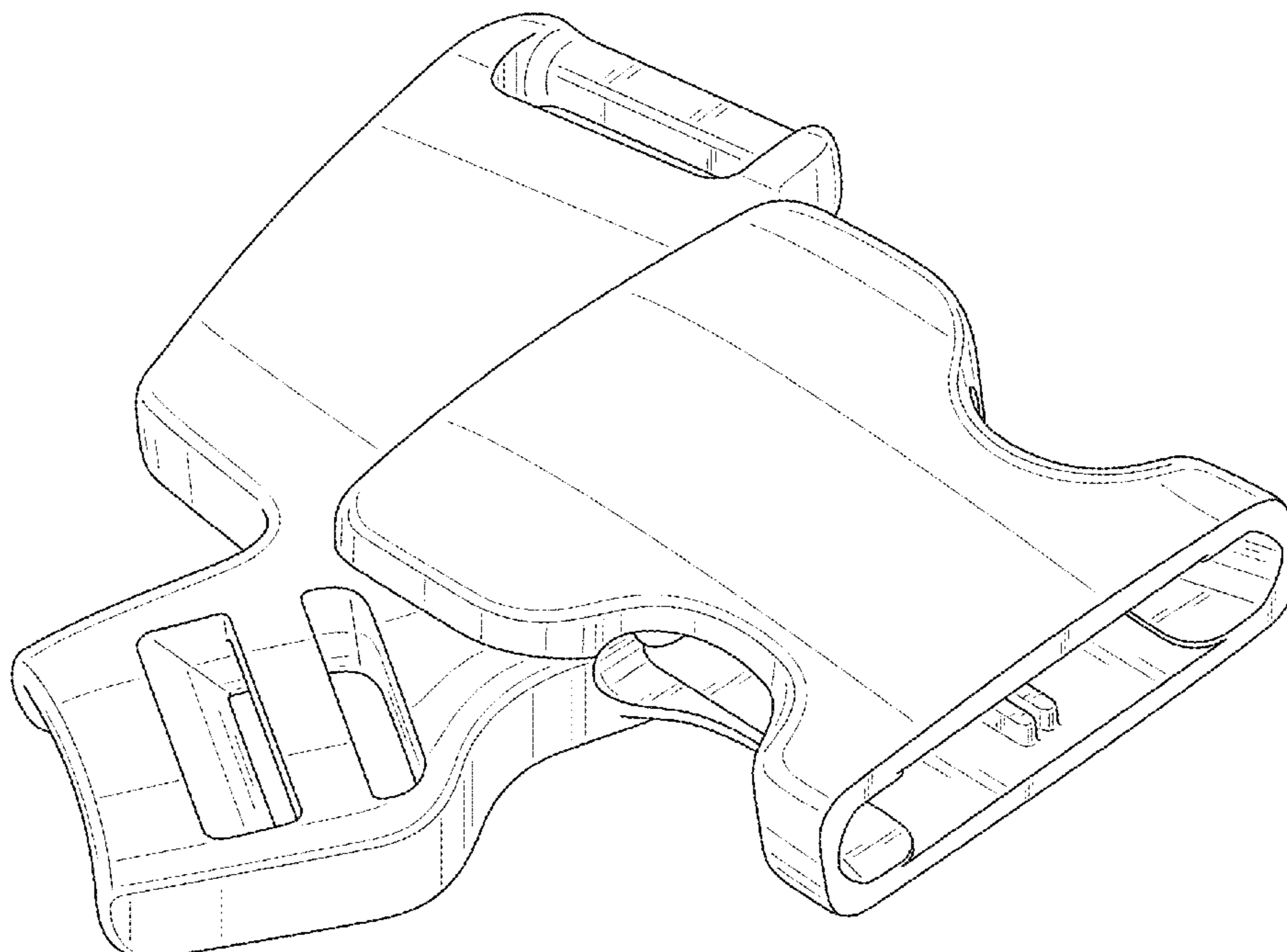
DESCRIPTION

FIG. 1 is a front perspective view of the belt cup;
FIG. 2 is a top view of the belt cup shown in FIG. 1;
FIG. 3 is a bottom view of the belt cup shown in FIG. 1;
FIG. 4 is a right view of the belt cup shown in FIG. 1;
FIG. 5 is a left view of the belt cup shown in FIG. 1;
FIG. 6 is a front view of the belt cup shown in FIG. 1; and,
FIG. 7 is a back view of the belt cup shown in FIG. 1.

Applicant expressly reserves the right to modify FIGS. 1-7 to include, in line drawing format, any one or all of the features shown (i.e., shown in either dashed-lines or solid lines) in FIGS. 1-7.

The subject matter shown in dashed lines, and any surfaces of the design not shown, including interior surfaces, form no part of the claimed invention.

1 Claim, 7 Drawing Sheets



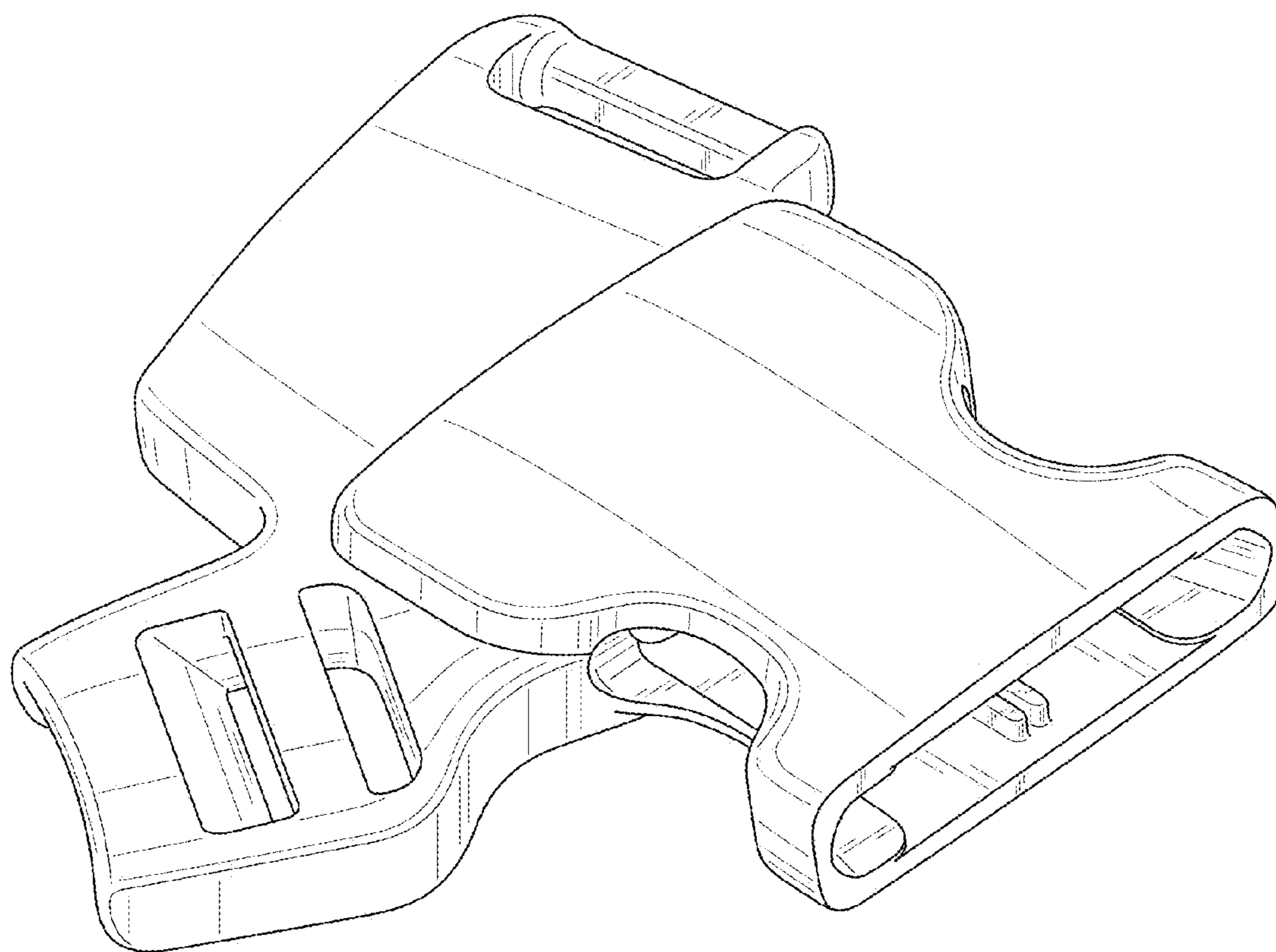


FIG. 1

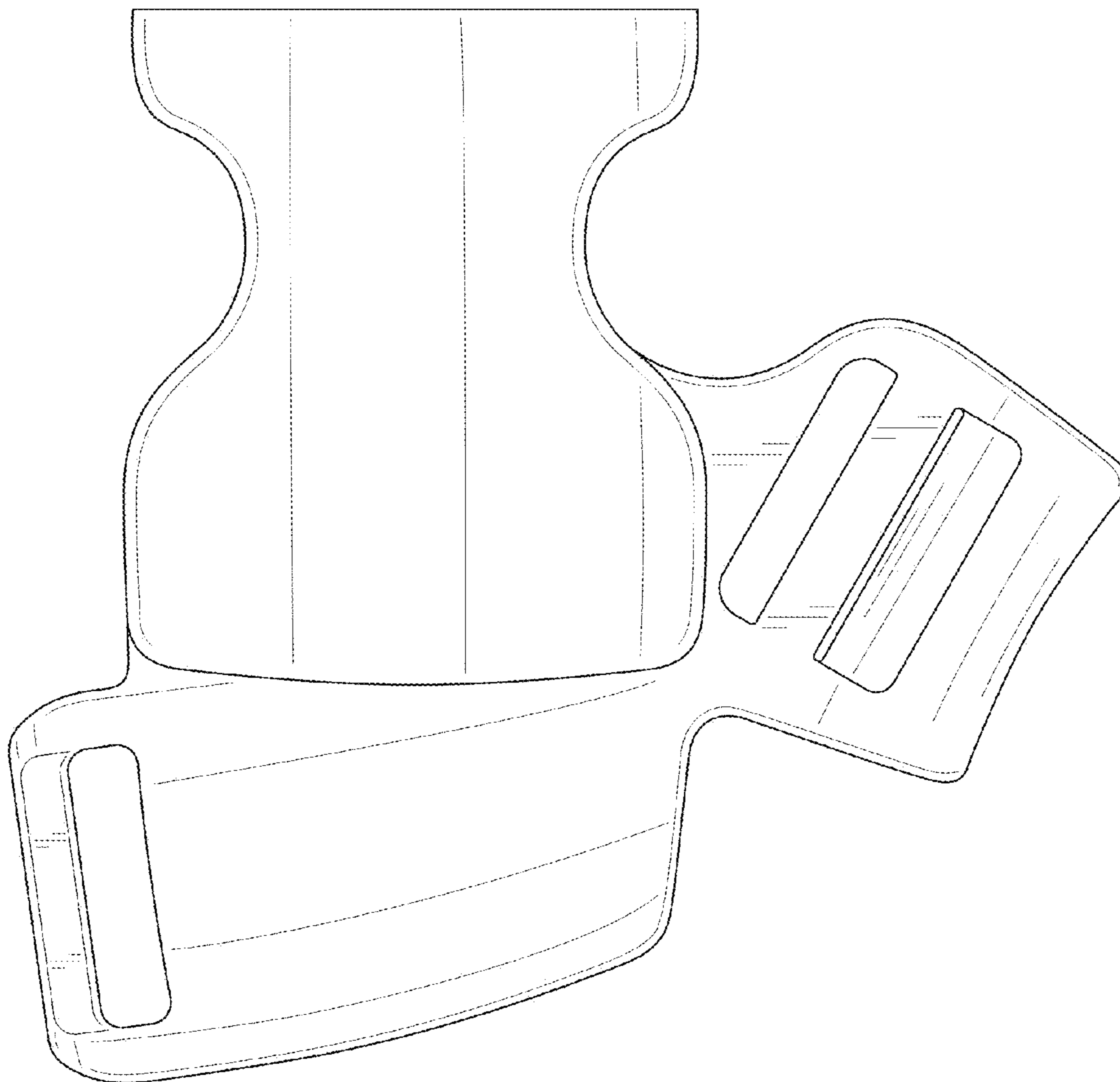


FIG. 2

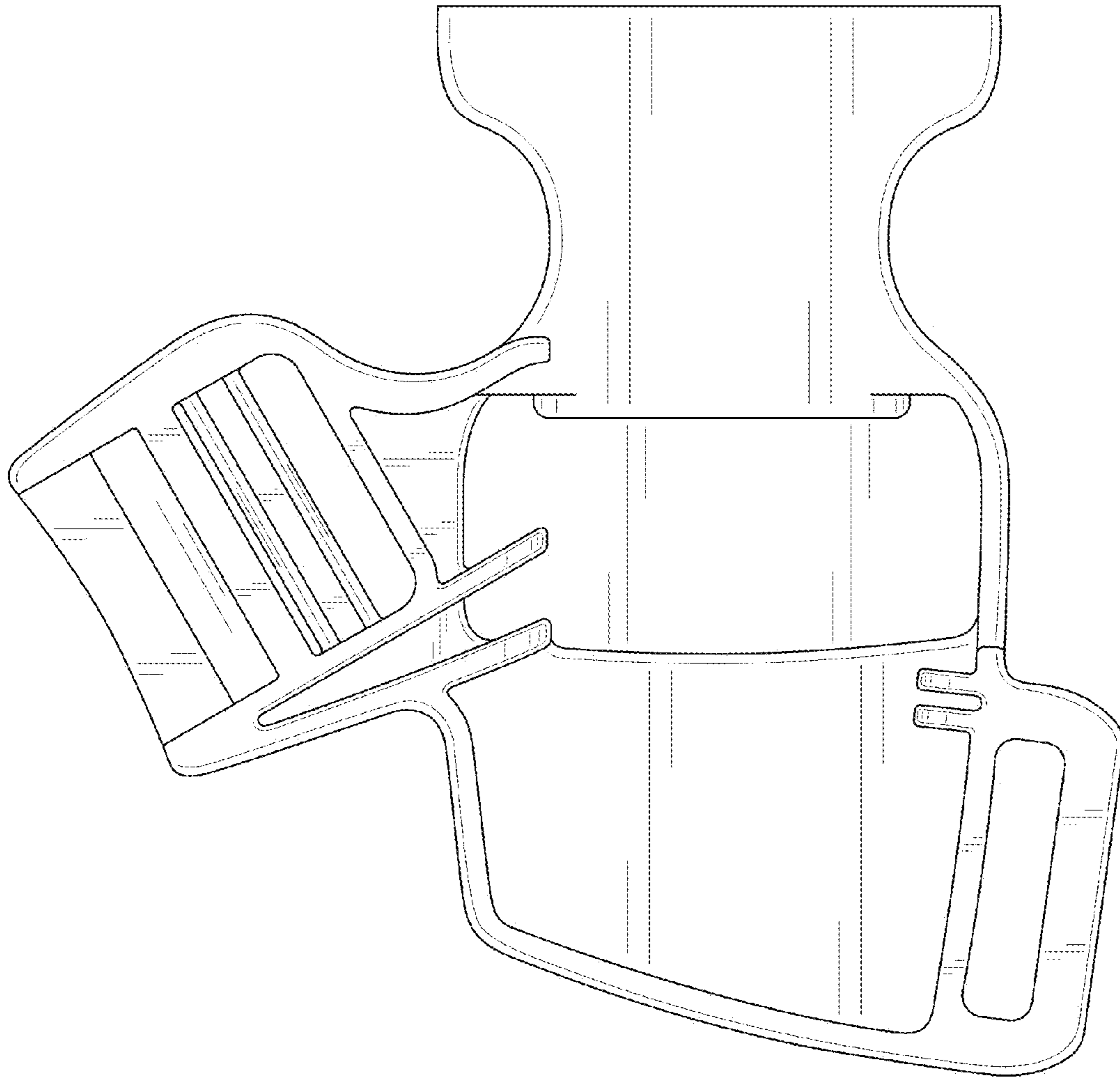


FIG. 3

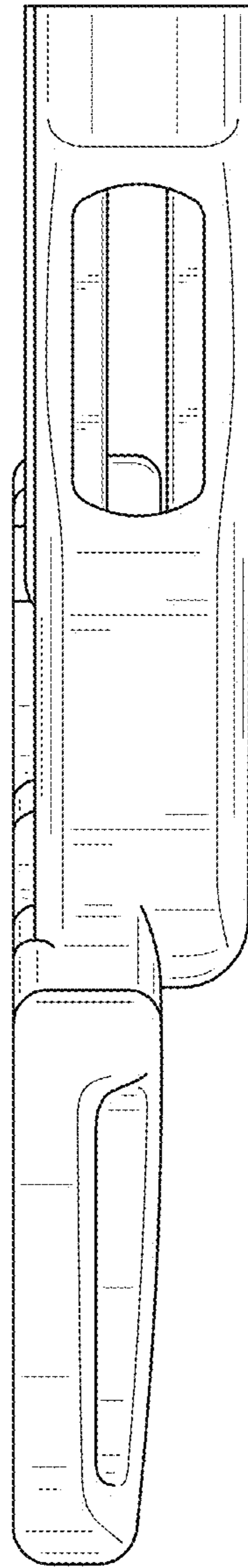


FIG. 4

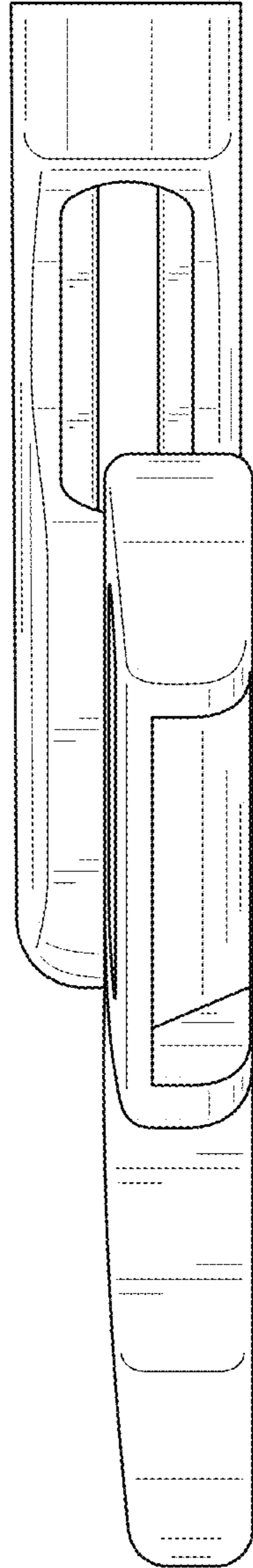


FIG. 5

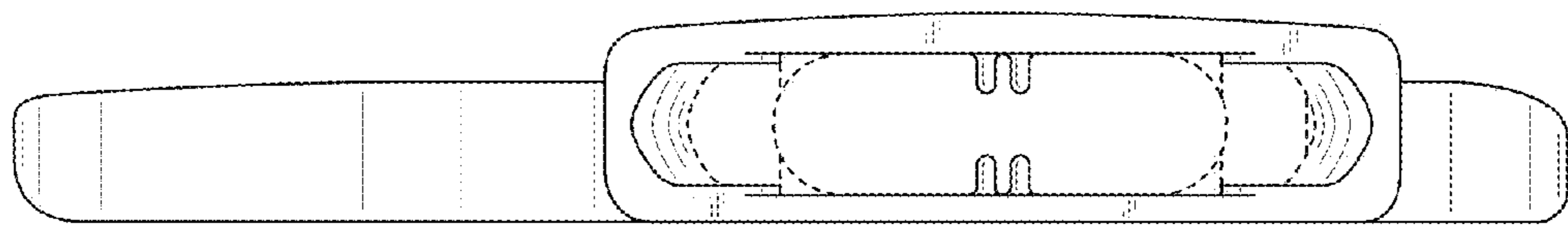


FIG. 6

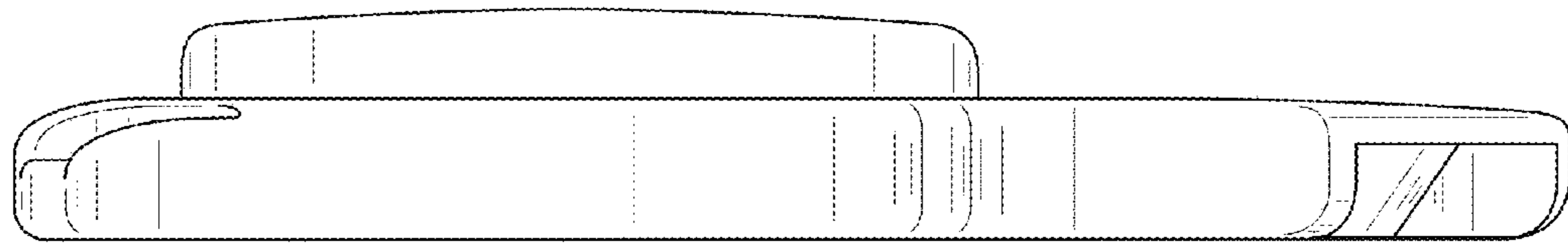


FIG. 7