



US00D684500S

(12) **United States Design Patent**
Lassiter

(10) **Patent No.:** **US D684,500 S**

(45) **Date of Patent:** **** Jun. 18, 2013**

(54) **BELT BUCKLE**

(76) Inventor: **Jason L. Lassiter**, Blue Springs, MO
(US)

(**) Term: **14 Years**

(21) Appl. No.: **29/426,418**

(22) Filed: **Jul. 5, 2012**

(51) **LOC (9) Cl.** **02-07**

(52) **U.S. Cl.**
USPC **D11/200**

(58) **Field of Classification Search**
USPC D11/1-2, 200-201, 206-210, 214-218;
24/163 R, 169-171, 173, 177-179, 191,
194-195, 197, 200, 614-616, 625; D14/192,
D14/203.5, 432, 435.1, 474, 480, 480.1, 480.3
See application file for complete search history.

(56) **References Cited**

U.S. PATENT DOCUMENTS

D301,084 S * 5/1989 Mathews D2/639
D485,209 S * 1/2004 Tracy et al. D11/216
D502,164 S * 2/2005 Ko et al. D14/203.5

D515,068 S * 2/2006 White D14/188
D552,076 S * 10/2007 Griffin D14/192
D560,652 S * 1/2008 Opperman D14/192
D620,477 S * 7/2010 Hou D14/214

* cited by examiner

Primary Examiner — Ralf Seifert

(74) *Attorney, Agent, or Firm* — Intellectual Property
Center, LLC; Arthur K. Shaffer

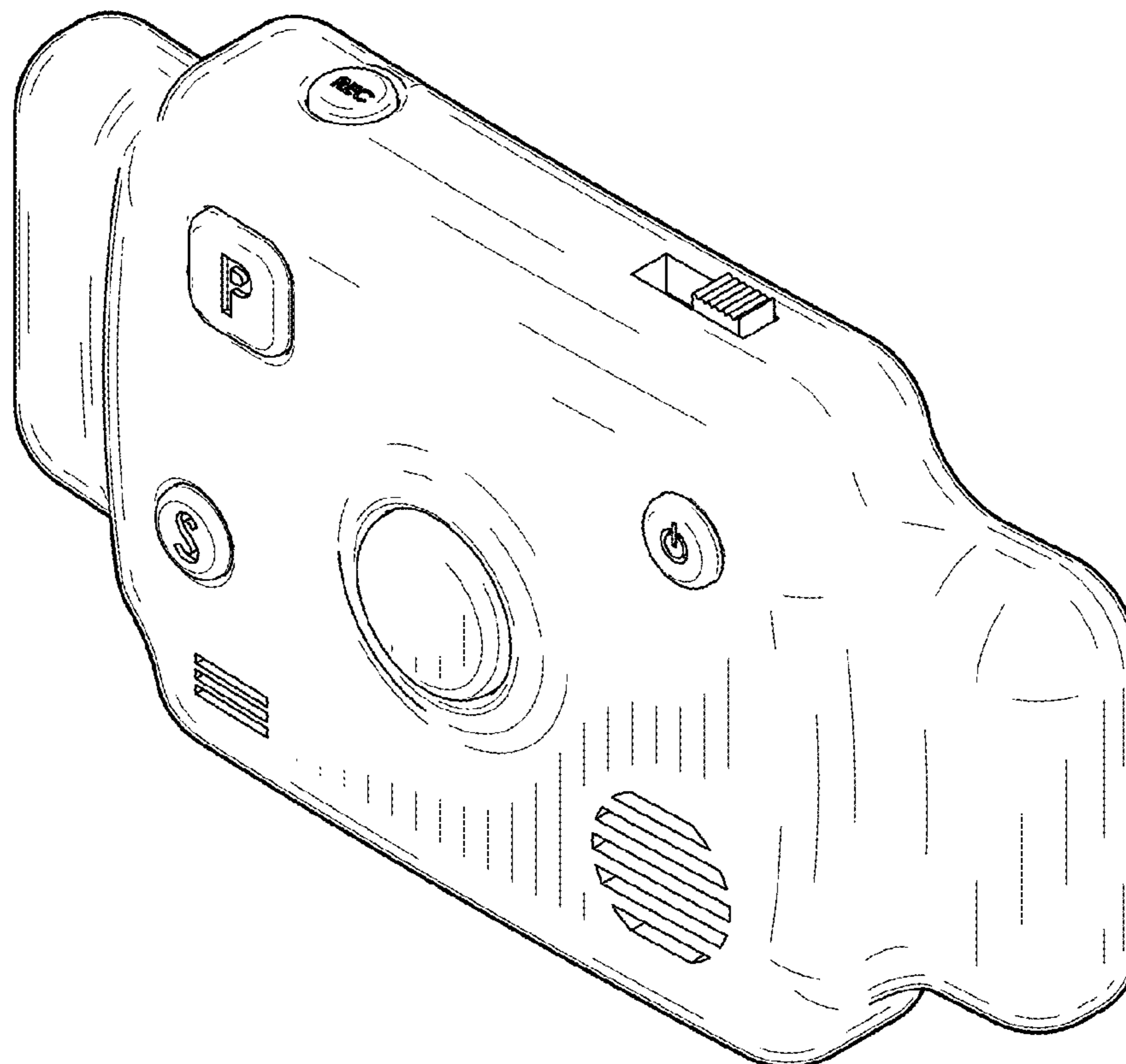
(57) **CLAIM**

The ornamental design for a belt buckle, as shown and
described.

DESCRIPTION

FIG. 1 is a perspective view of a belt buckle in accordance
with the present invention;
FIG. 2 is a front elevation view thereof;
FIG. 3 is a top plan view thereof;
FIG. 4 is a right side view thereof;
FIG. 5 is a left side view thereof;
FIG. 6 is a bottom plan view thereof; and,
FIG. 7 is a back plan view thereof.

1 Claim, 4 Drawing Sheets



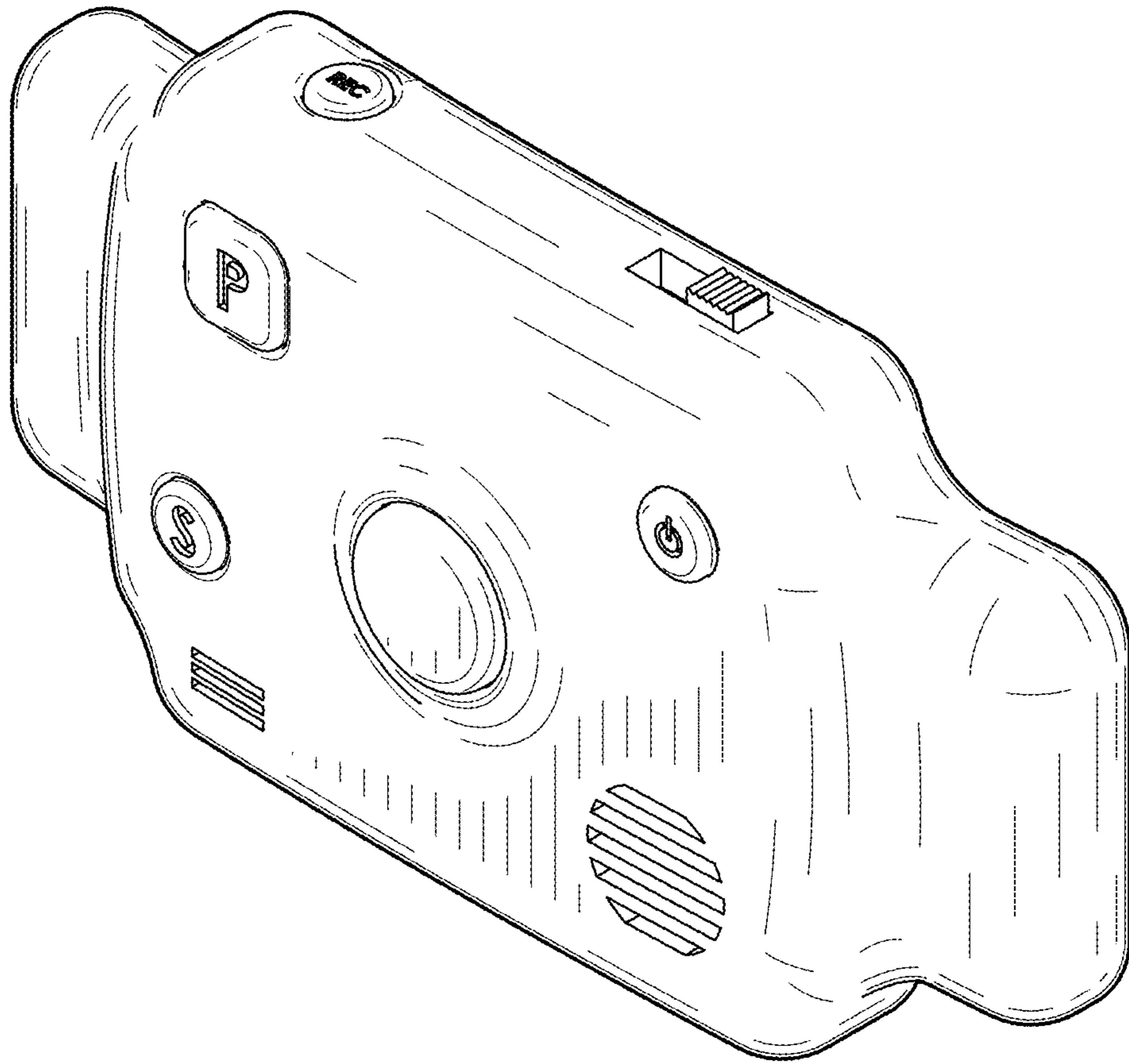


FIG.1

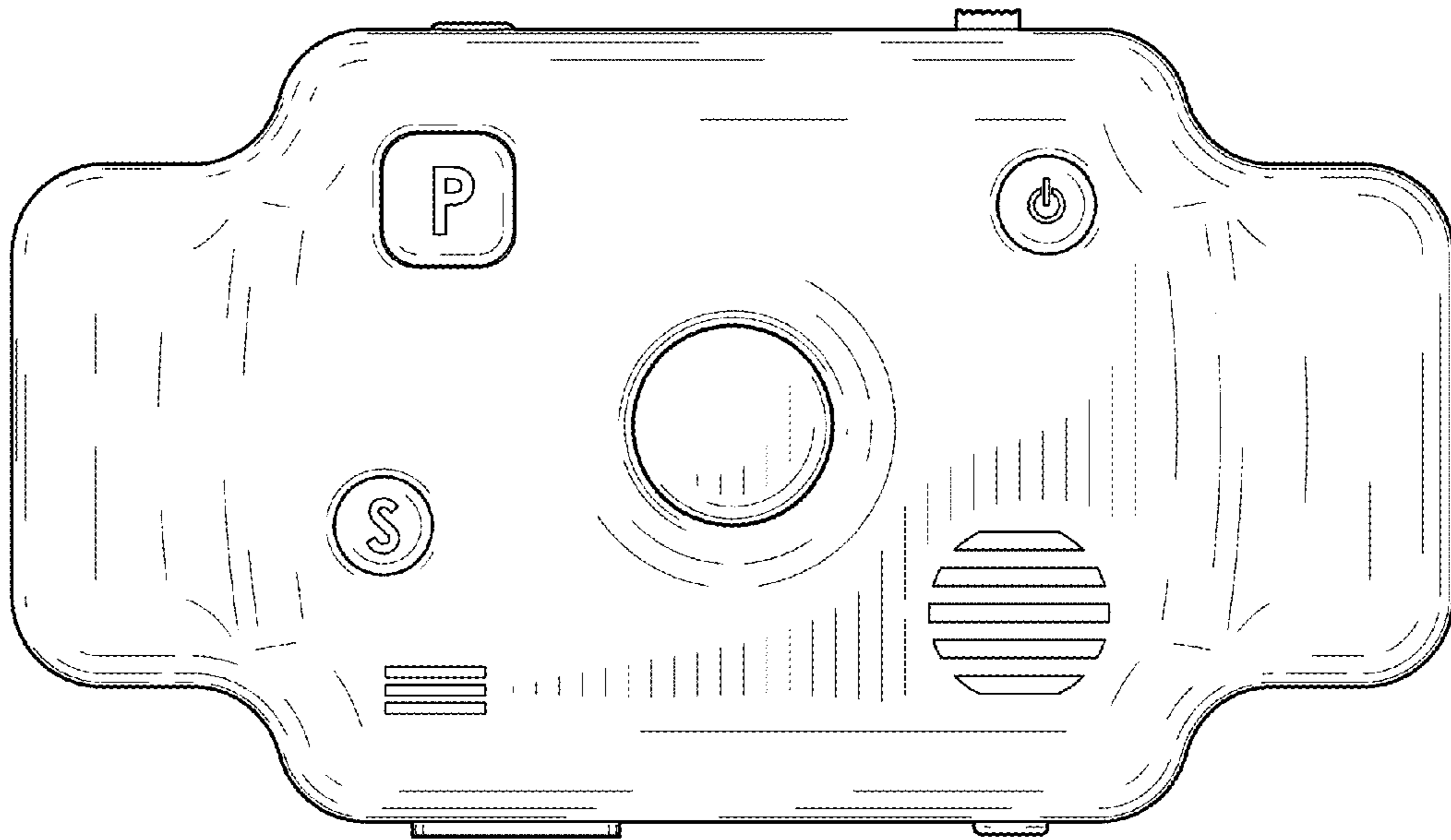


FIG. 2

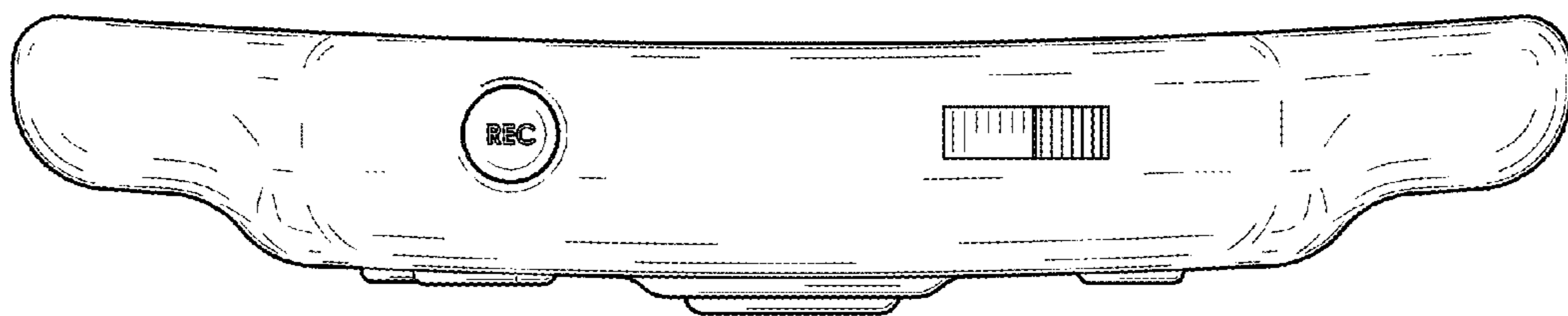


FIG. 3

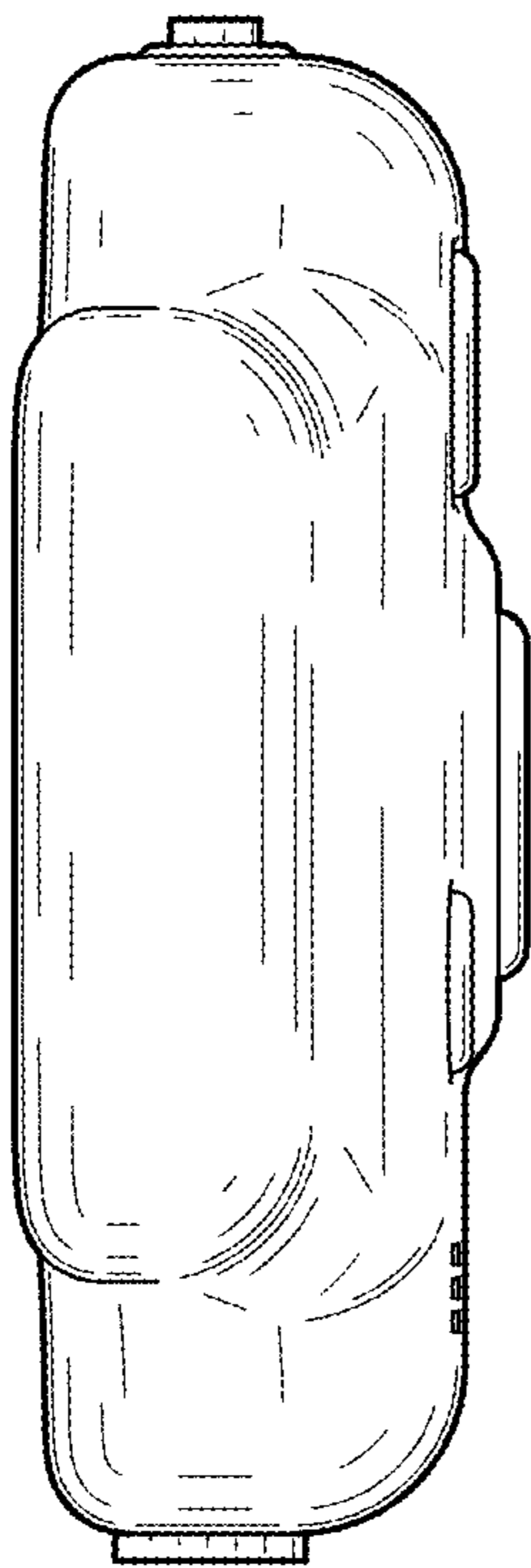


FIG. 4

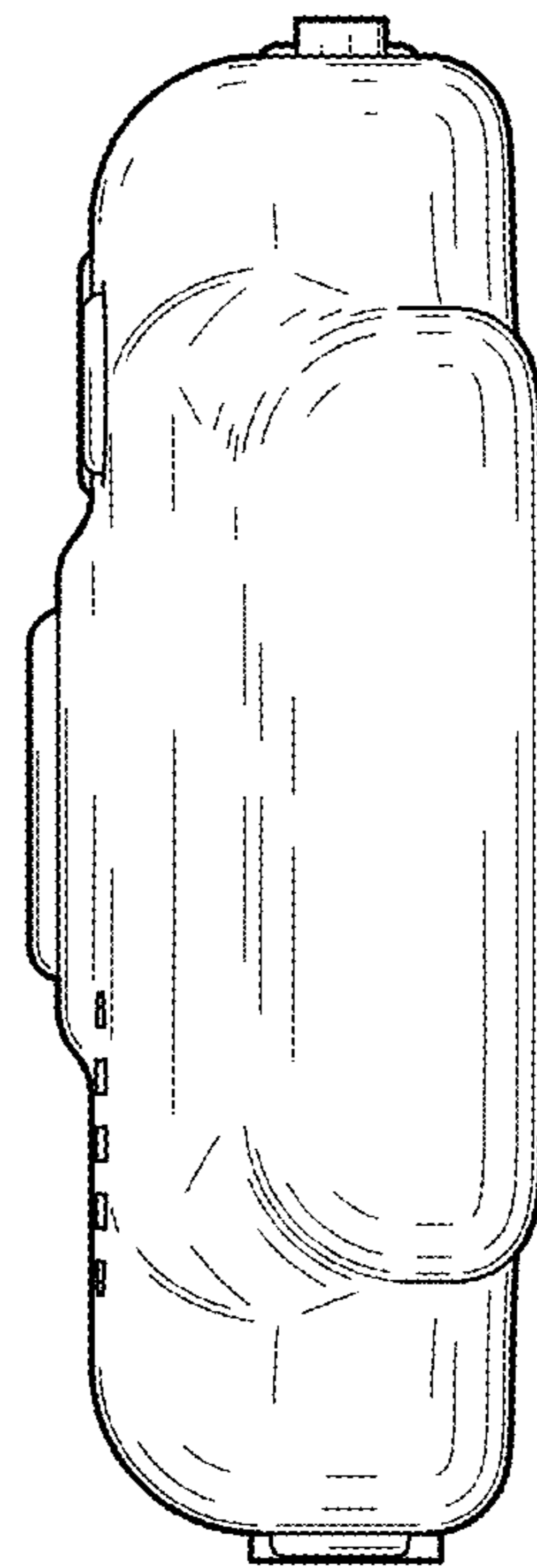


FIG. 5

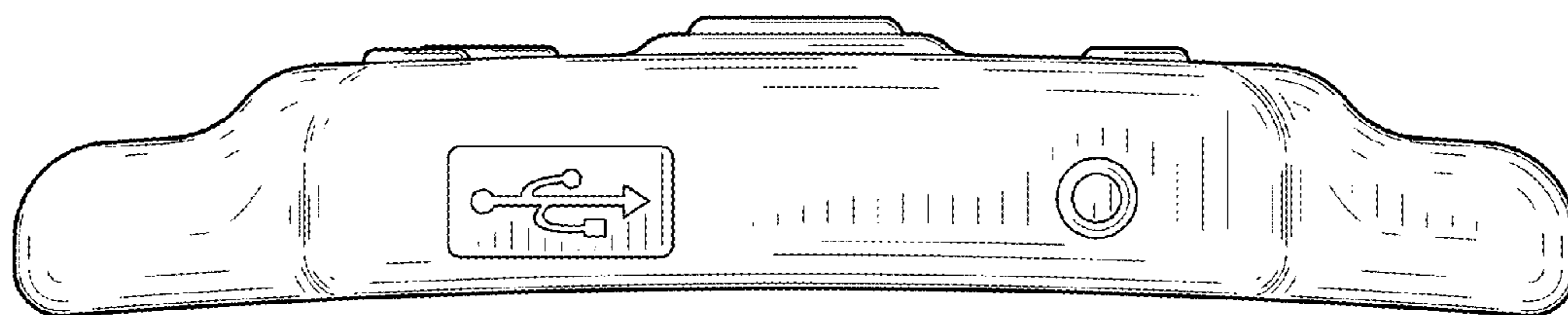


FIG. 6

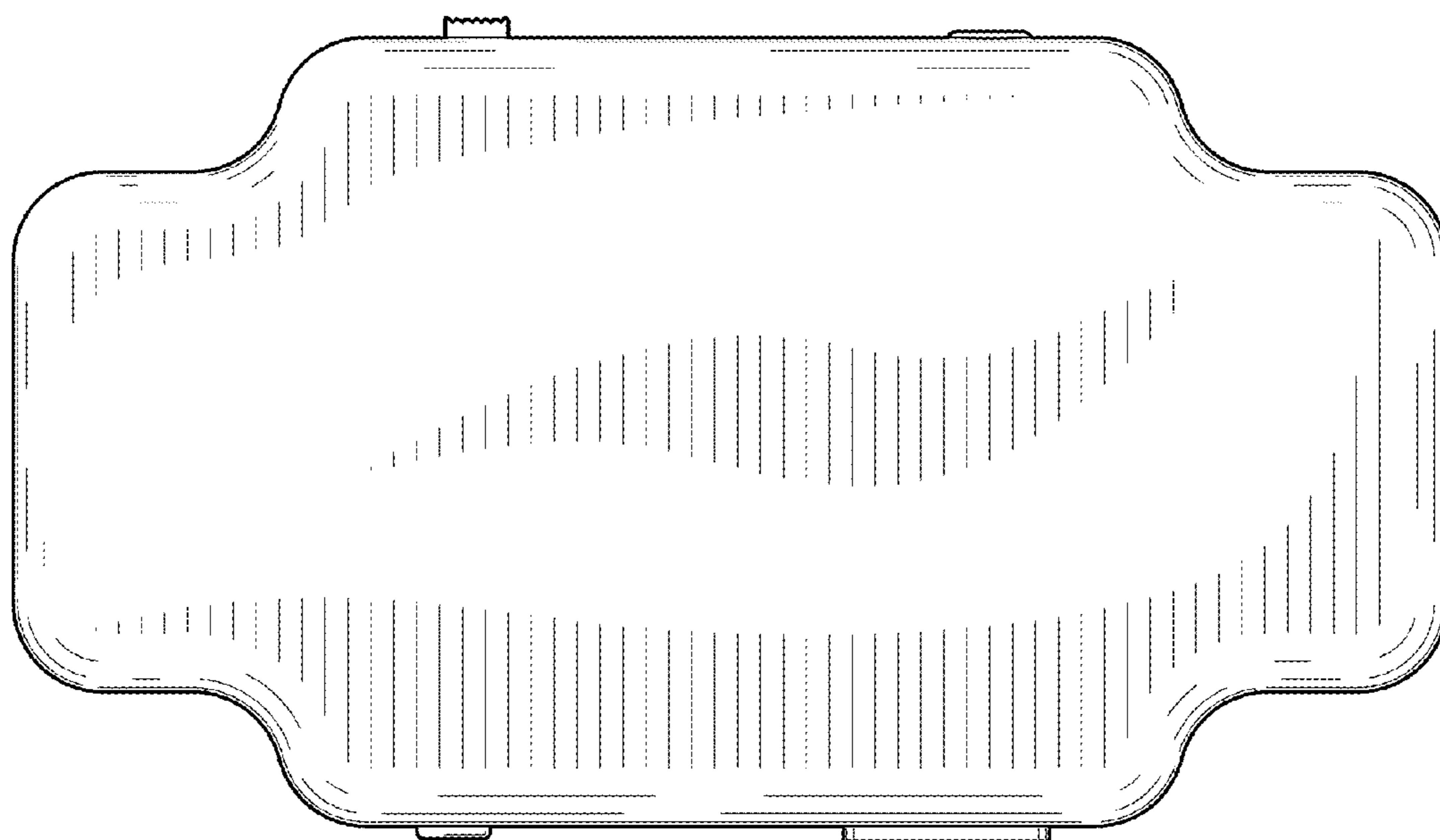


FIG. 7