



US00D684492S

(12) **United States Design Patent**  
**Chen**

(10) **Patent No.:** **US D684,492 S**  
(45) **Date of Patent:** **\*\* Jun. 18, 2013**

(54) **WARNING LIGHT**

(71) Applicant: **Juluon Enterprise Co., Ltd.**, New Taipei (TW)

(72) Inventor: **Cheng-Chung Chen**, New Taipei (TW)

(73) Assignee: **Juluon Enterprise Co., Ltd.**, New Taipei (TW)

(\*\*) Term: **14 Years**

(21) Appl. No.: **29/439,351**

(22) Filed: **Dec. 10, 2012**

(51) **LOC (9) Cl.** ..... **10-05**

(52) **U.S. Cl.**  
USPC ..... **D10/114.1**

(58) **Field of Classification Search**  
USPC ..... D10/114.1, 114.2, 114.9, 111; D26/37,  
D26/40, 49; 340/815.45; 362/267

See application file for complete search history.

(56) **References Cited**

U.S. PATENT DOCUMENTS

D669,806 S \* 10/2012 Stein ..... D10/114.2  
D669,807 S \* 10/2012 Stein ..... D10/114.2  
2005/0110649 A1 \* 5/2005 Fredericks et al. .... 340/815.45

\* cited by examiner

*Primary Examiner* — George D Kirschbaum

(74) *Attorney, Agent, or Firm* — Muncy, Geissler, Olds & Lowe, PLLC

(57) **CLAIM**

The ornamental design for a warning light, as shown and described.

**DESCRIPTION**

FIG. 1 is a perspective view of a warning light showing my design;

FIG. 2 is a front view thereof;

FIG. 3 is a rear view thereof;

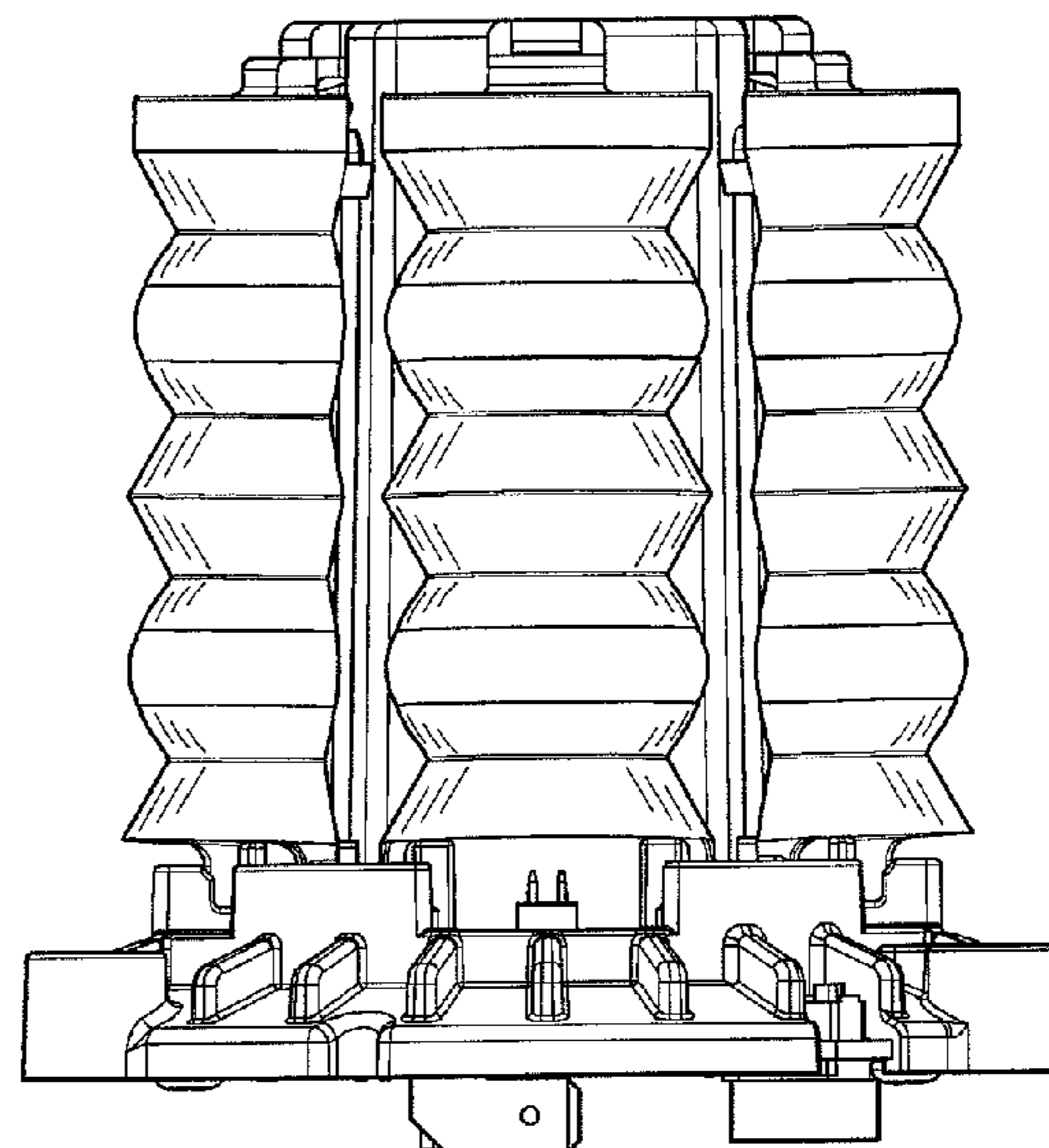
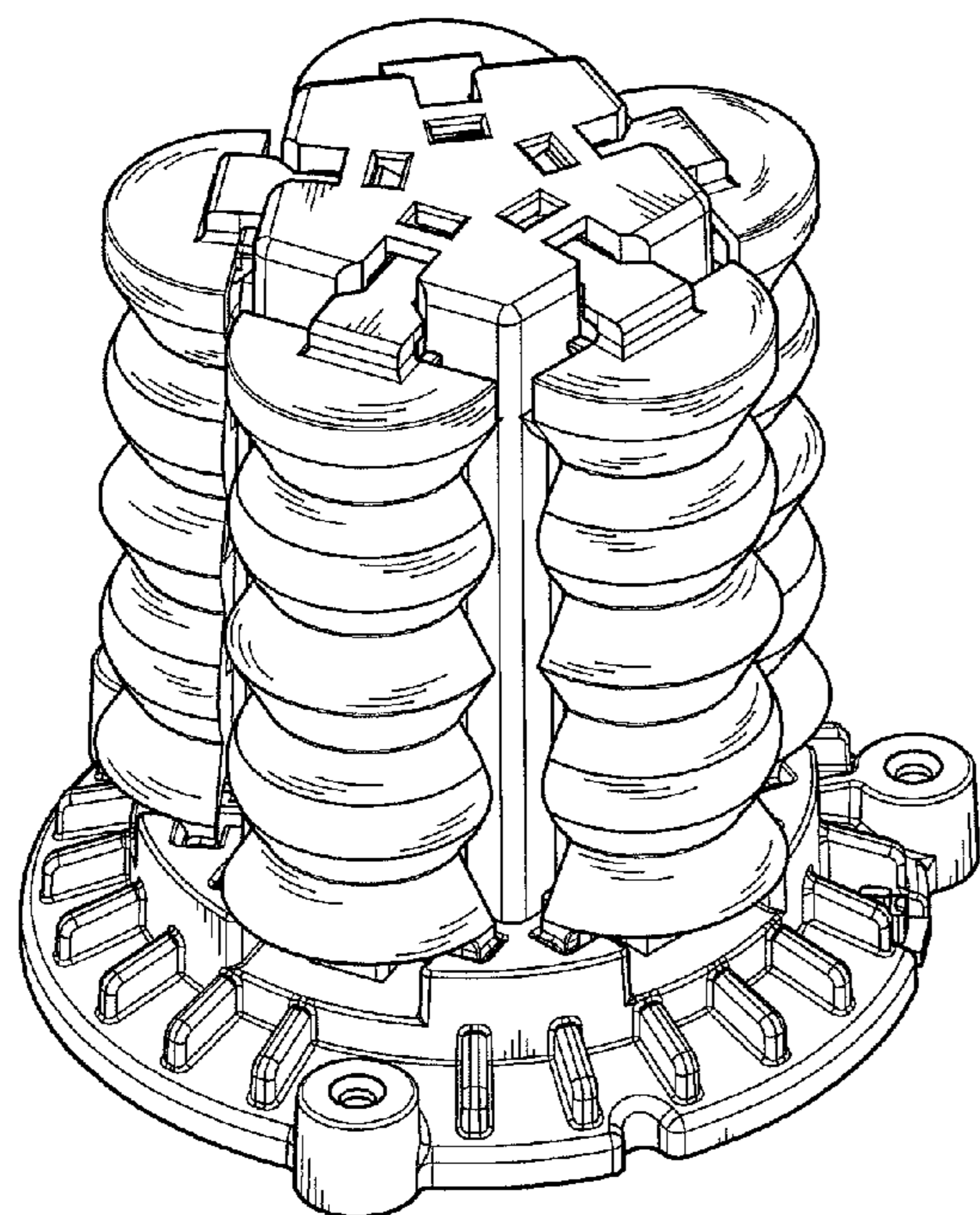
FIG. 4 is a left side view thereof;

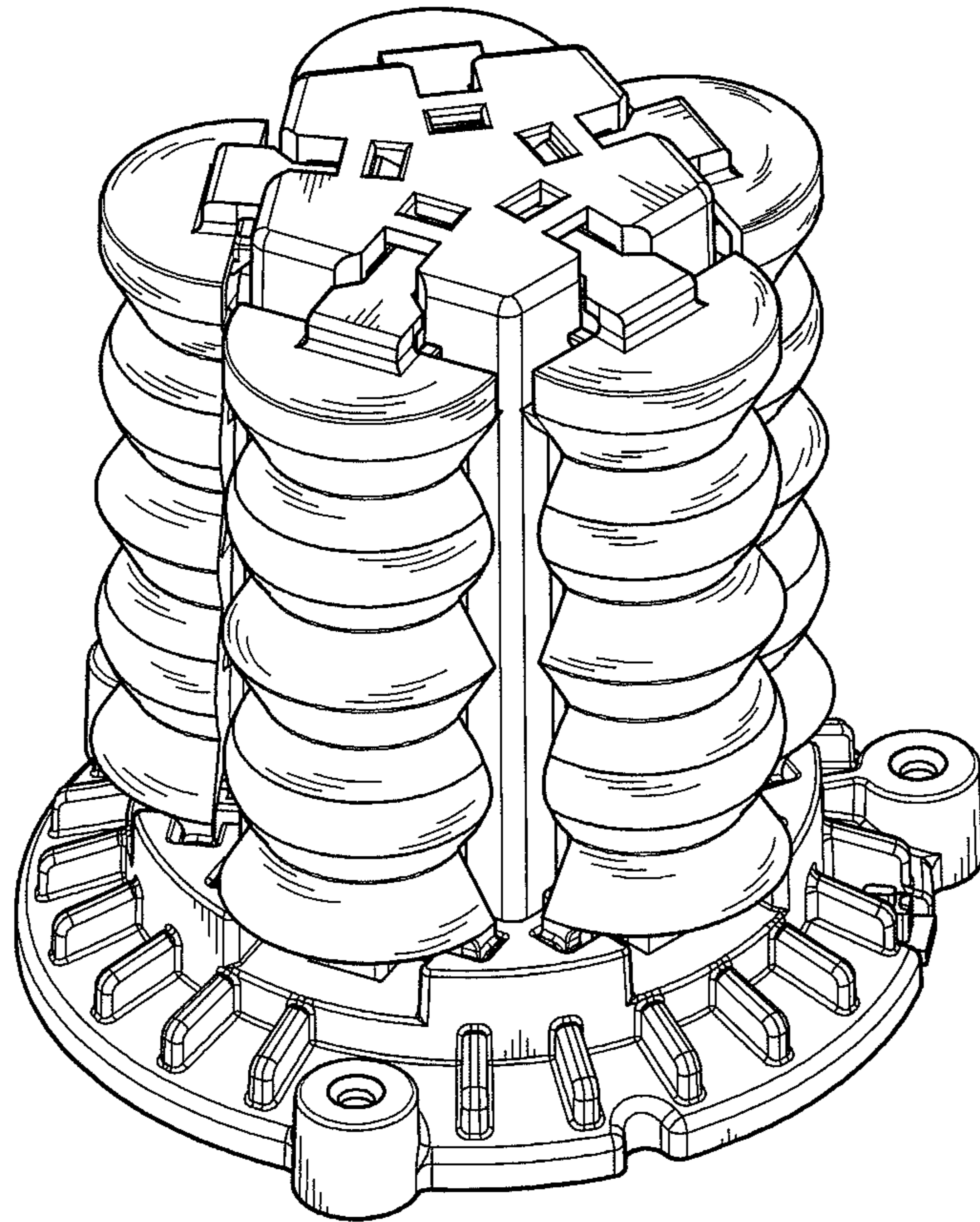
FIG. 5 is a right side view thereof;

FIG. 6 is a top view thereof; and,

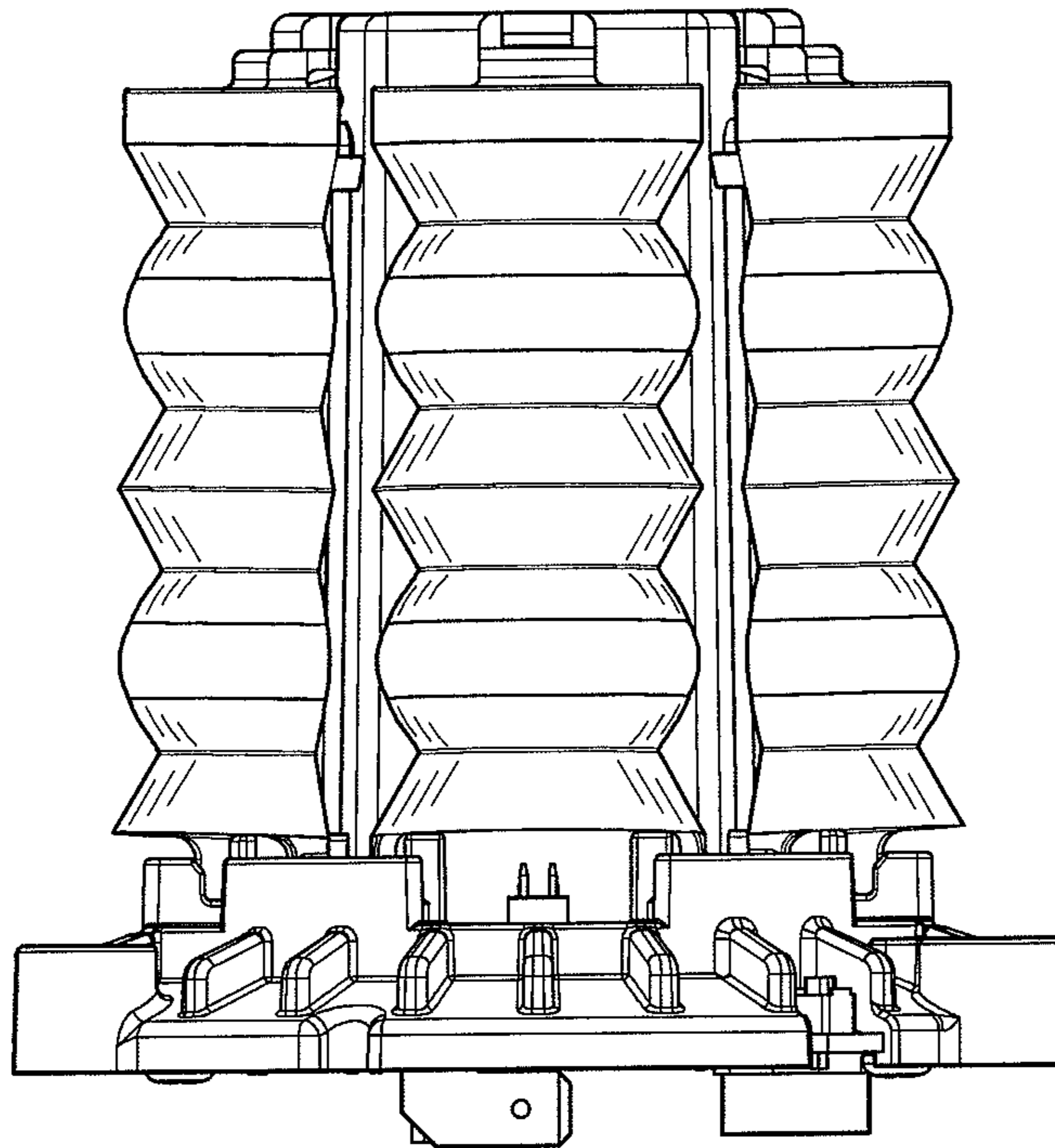
FIG. 7 is a bottom view thereof.

**1 Claim, 7 Drawing Sheets**

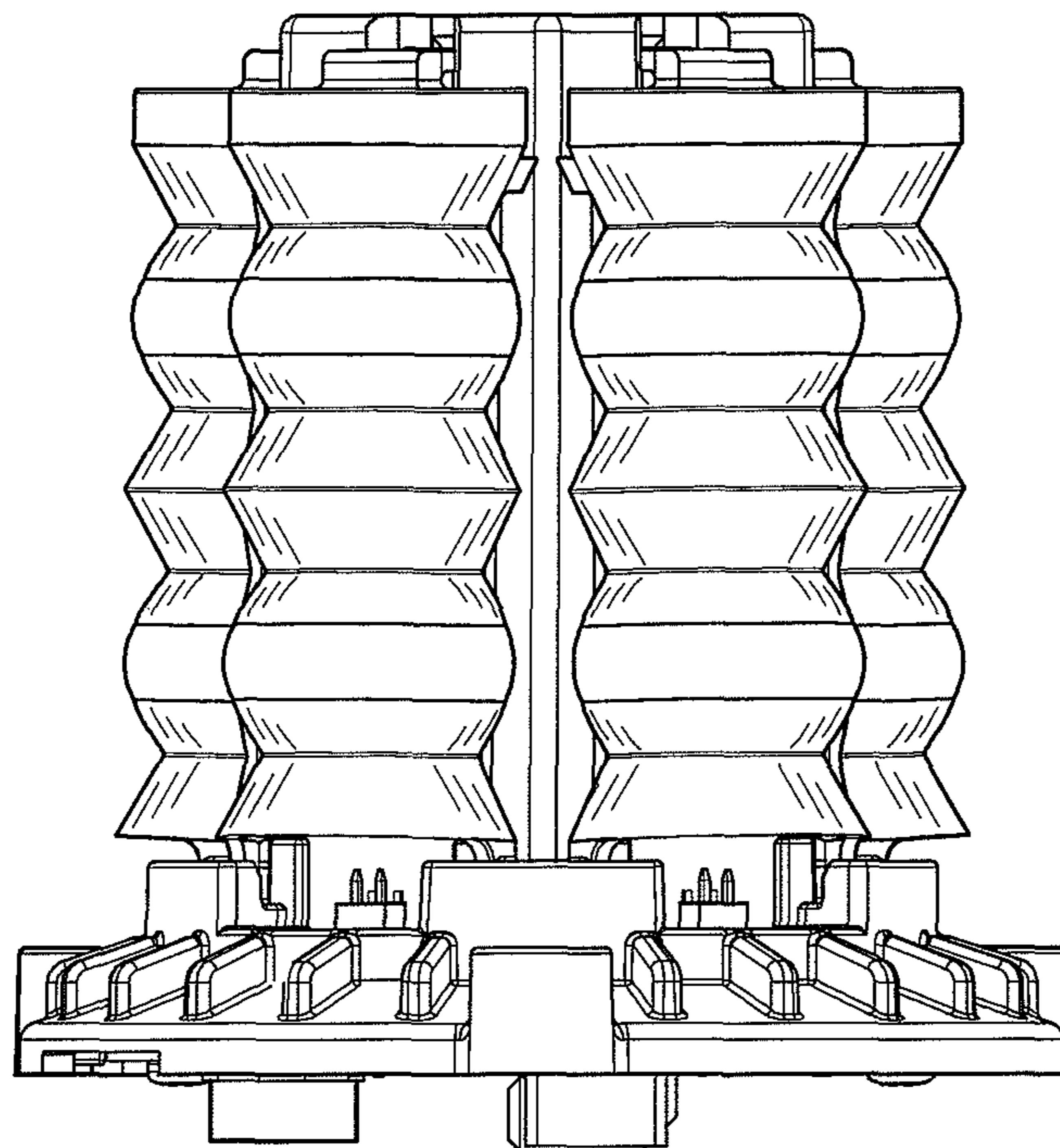




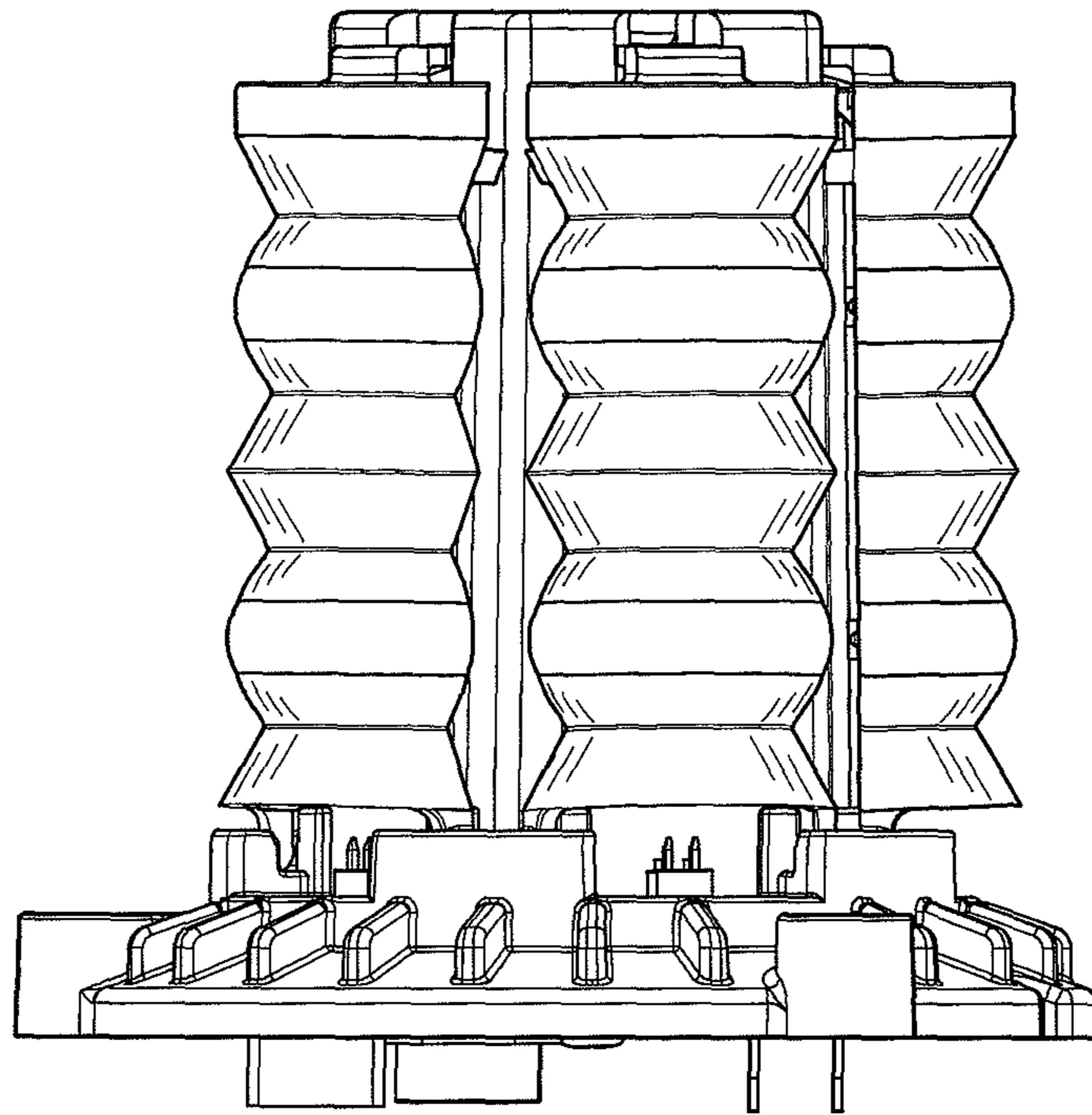
*FIG. 1*



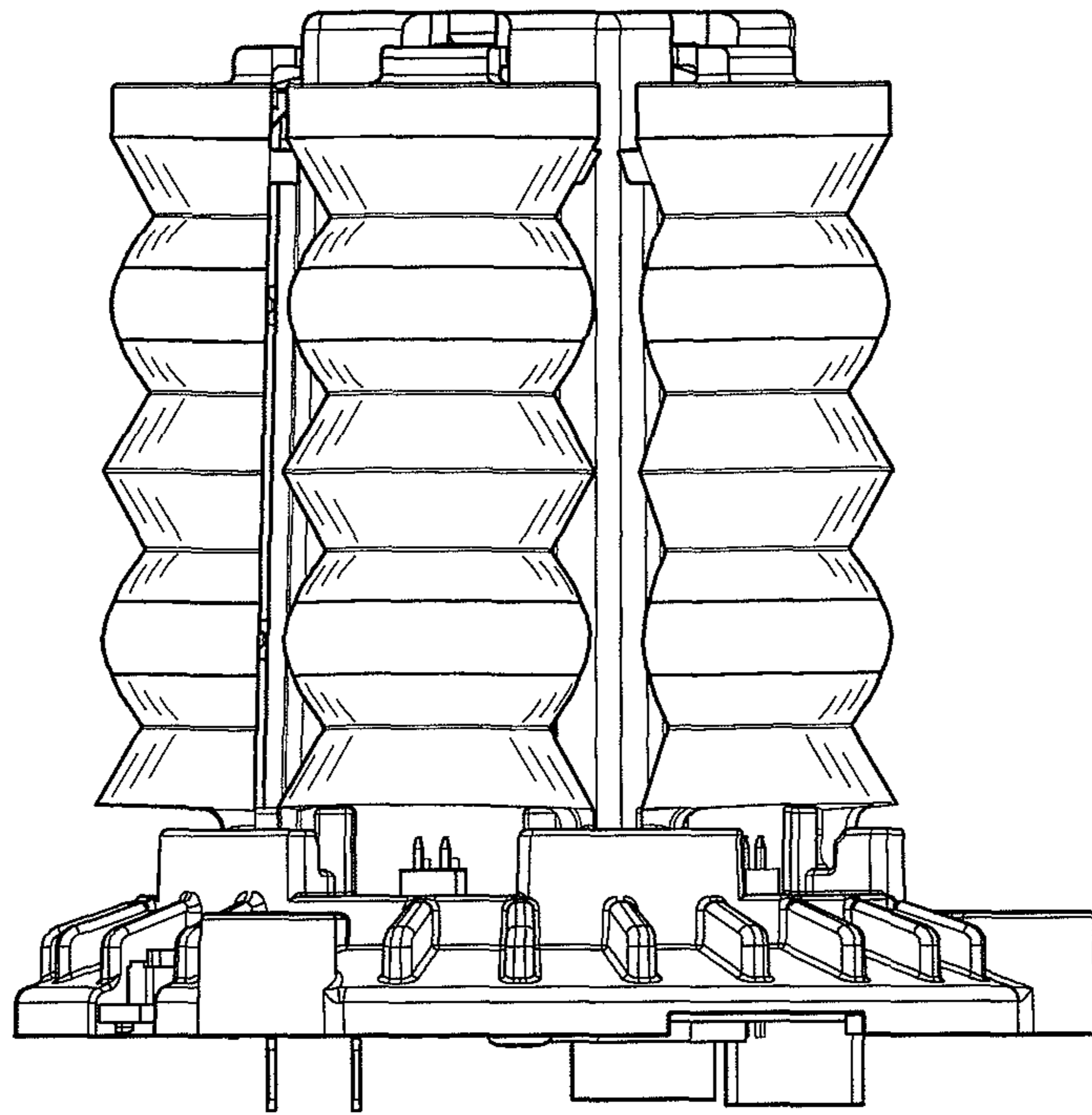
*FIG. 2*



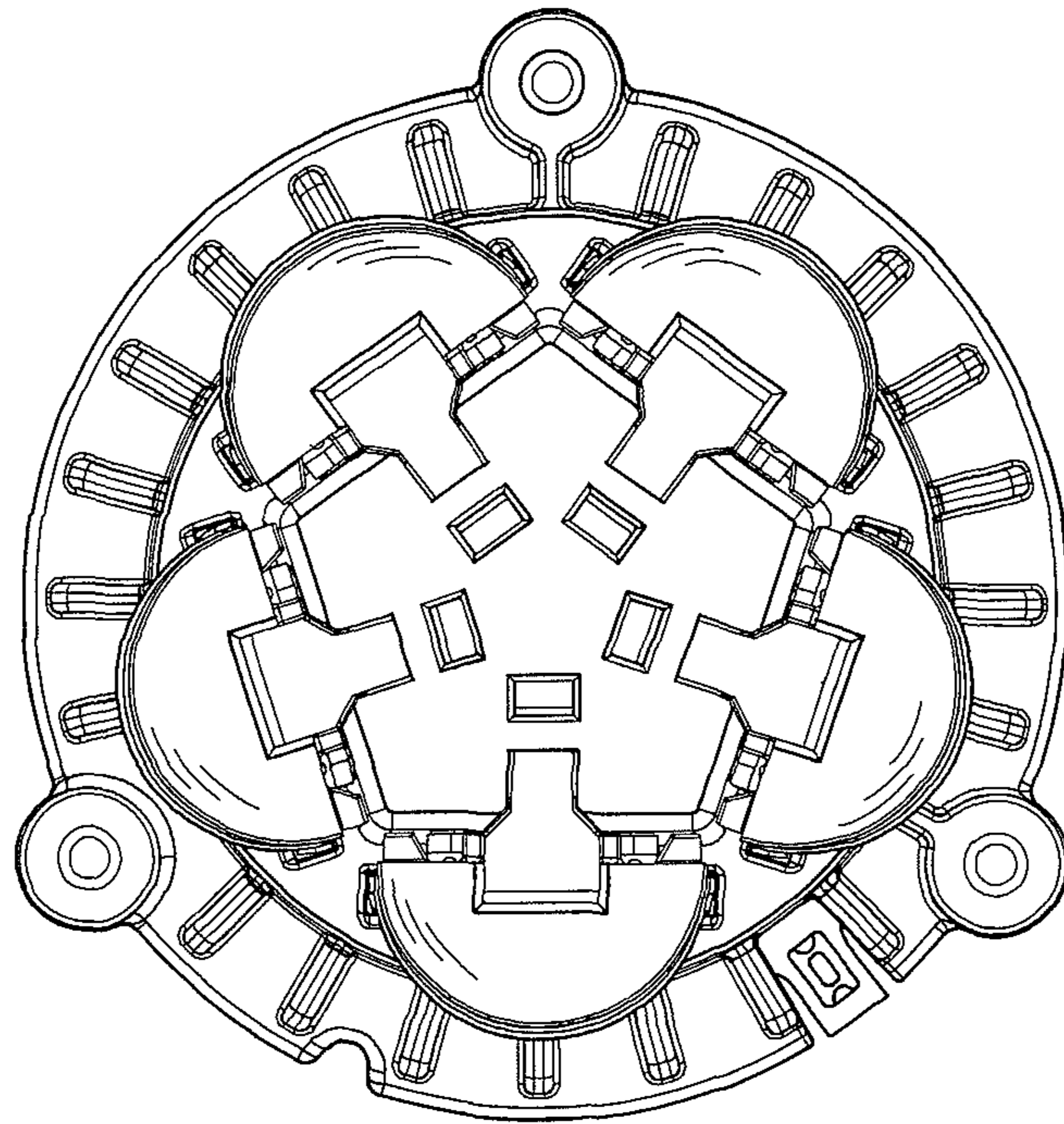
*FIG. 3*



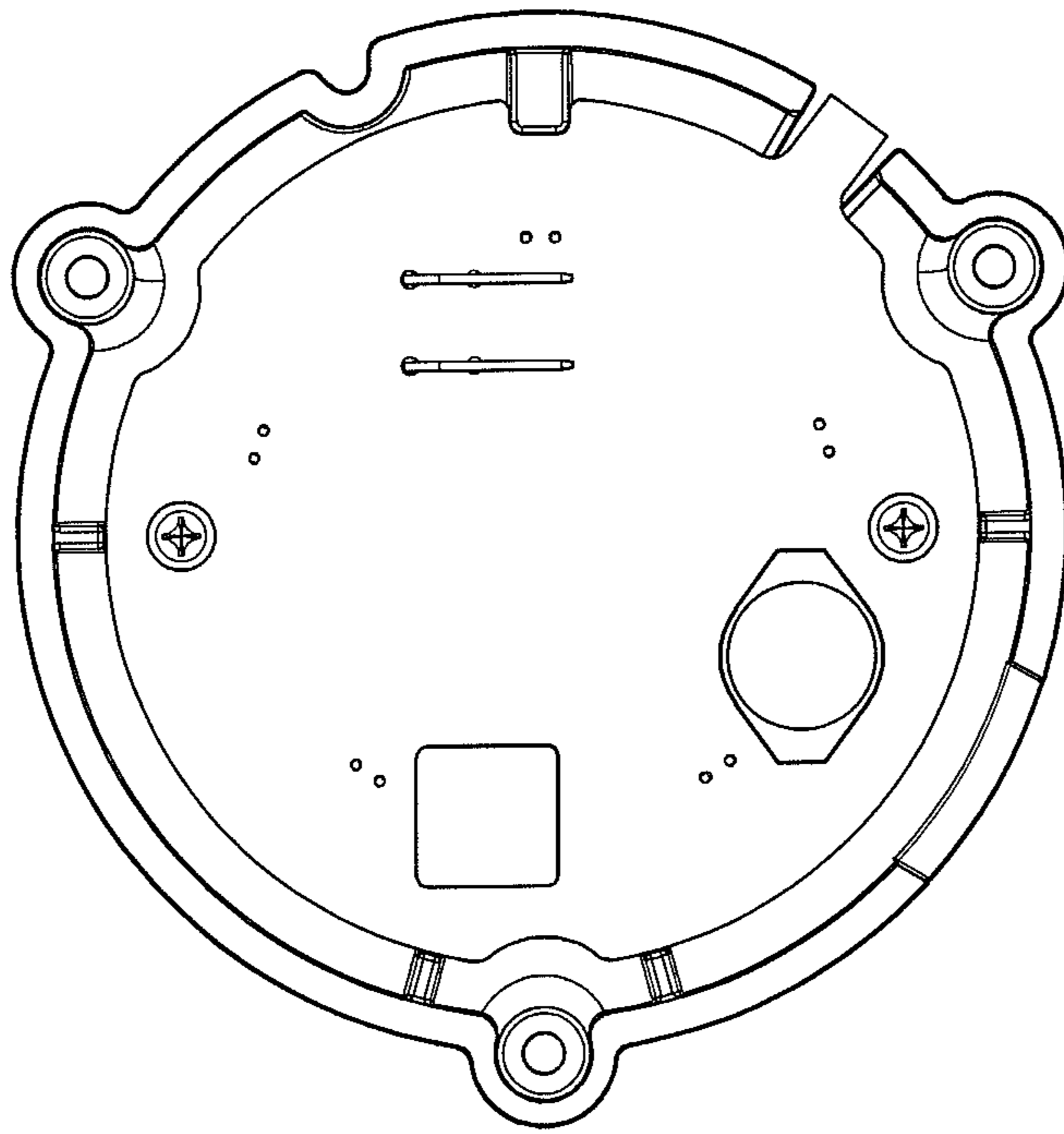
*FIG. 4*



*FIG. 5*



*FIG. 6*



*FIG. 7*