



US00D684491S

(12) **United States Design Patent**  
**Confield et al.**

(10) **Patent No.:** **US D684,491 S**

(45) **Date of Patent:** **\*\* Jun. 18, 2013**

(54) **ANALYTE TEST METER**

(71) Applicant: **LifeScan Scotland Limited**, Inverness (GB)

(72) Inventors: **Ivan Confield**, Inverness (GB); **Allan Orr**, Inverness (GB); **Ryan Magennis**, Inverness (GB); **Nick Foley**, Edinburgh (GB); **Giorgio Castellari**, Monza (IT); **Maurizio Volpe**, Monza (IT); **Roberto Beretta**, Monza (IT); **Fabio Foleghi**, Monza (IT); **Paul Trickett**, Edinburgh (GB); **James Glencross**, Edinburgh (GB)

(73) Assignee: **LifeScan Scotland Limited**, Inverness (GB)

(\*\*) Term: **14 Years**

(21) Appl. No.: **29/440,565**

(22) Filed: **Dec. 21, 2012**

(51) **LOC (9) Cl.** ..... **10-04**

(52) **U.S. Cl.**  
USPC ..... **D10/81; D10/78**

(58) **Field of Classification Search**  
USPC .... D10/78, 81; D24/107, 186, 232; 324/72.5, 324/110, 114, 115, 149, 151 A, 158 F, 156; 340/653, 660; 439/482; 422/63-83, 99, 100, 422/58, 61, 82.05; 423/43; 436/164, 166, 436/169, 605; 356/246  
See application file for complete search history.

(56) **References Cited**

U.S. PATENT DOCUMENTS

D509,760 S *	9/2005	Burrell et al.	.....	D10/65
D510,711 S *	10/2005	Syme et al.	.....	D10/81
D528,933 S *	9/2006	Hunter et al.	.....	D10/78
D546,216 S *	7/2007	Bolognesi et al.	.....	D10/81
D600,148 S *	9/2009	Disch et al.	.....	D10/78
D600,349 S *	9/2009	Bell et al.	.....	D24/169
D630,113 S *	1/2011	Orr et al.	.....	D10/81
D651,925 S *	1/2012	Faulkner et al.	.....	D10/81

8,158,062 B2 *	4/2012	Dykes et al.	.....	422/68.1
8,236,165 B2 *	8/2012	Huang	.....	205/792
8,293,096 B2 *	10/2012	Cardosi et al.	.....	205/792
8,383,041 B2 *	2/2013	Ruhl et al.	.....	422/66

\* cited by examiner

*Primary Examiner* — Antoine D Davis

(57) **CLAIM**

We claim the ornamental design for both versions of an analyte test meter, as shown and described.

**DESCRIPTION**

The patent or patent application file contains a least one drawing executed in color. Copies of this patent or patent application publication with color drawing(s) will be provided by the Office upon request and payment of the necessary fee.

FIG. 1 is a top, front and right side perspective view of a first version of an analyte test meter of version one;

FIG. 2 is a top plan view thereof;

FIG. 3 is a right side elevational view thereof;

FIG. 4 is a bottom plan view thereof;

FIG. 5 is a left side elevational view thereof;

FIG. 6 is a rear elevational view thereof; and

FIG. 7 is a front elevational view thereof.

FIG. 8 is a top, front and right side perspective view of a second version of an analyte test meter;

FIG. 9 is a top plan view of the second version of the analyte test meter;

FIG. 10 is a right side elevational view of the second version of the analyte test meter;

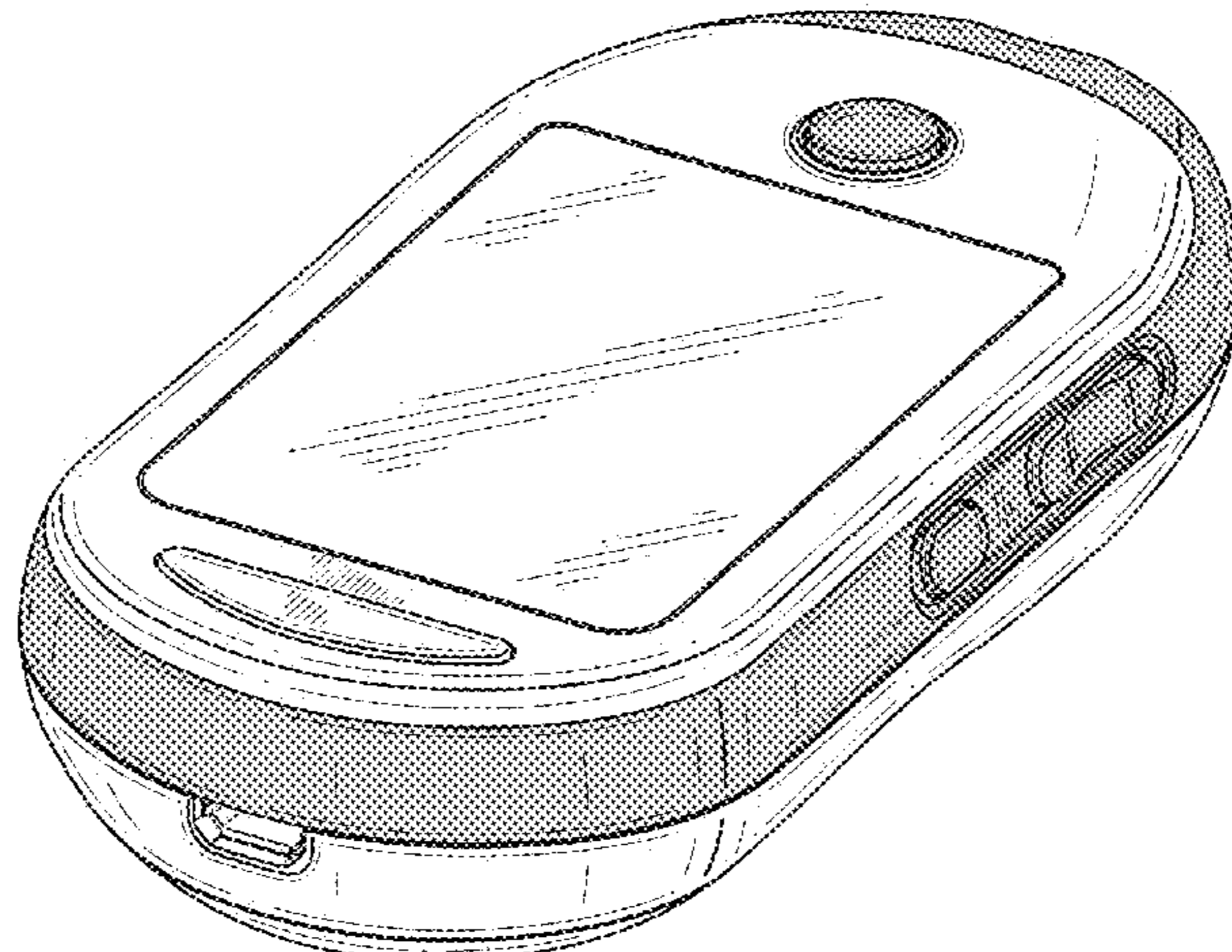
FIG. 11 is a bottom plan view of the second version of the analyte test meter;

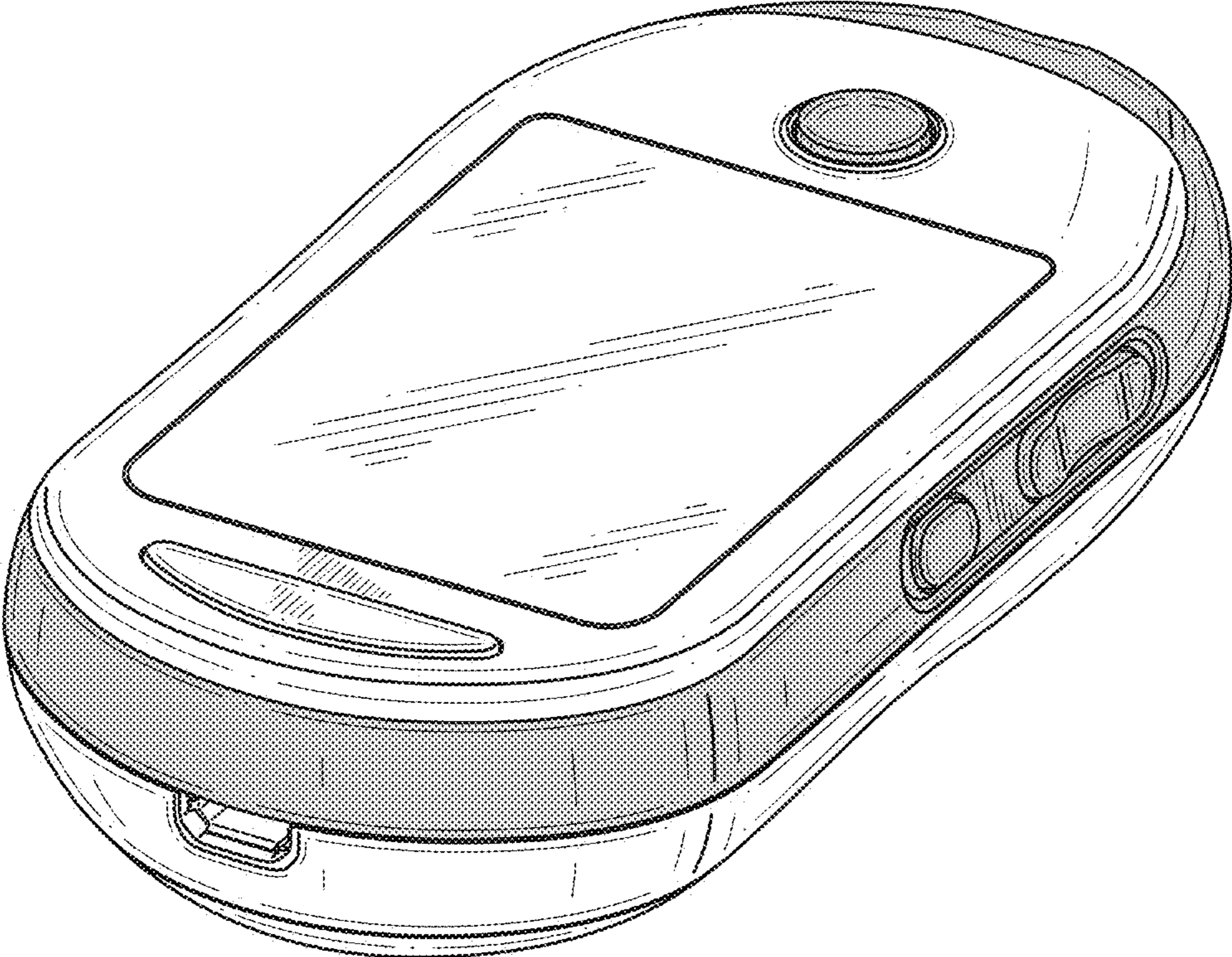
FIG. 12 is a left side elevational view of the second version of the analyte test meter;

FIG. 13 is a rear elevational view of the second version of the analyte test meter; and,

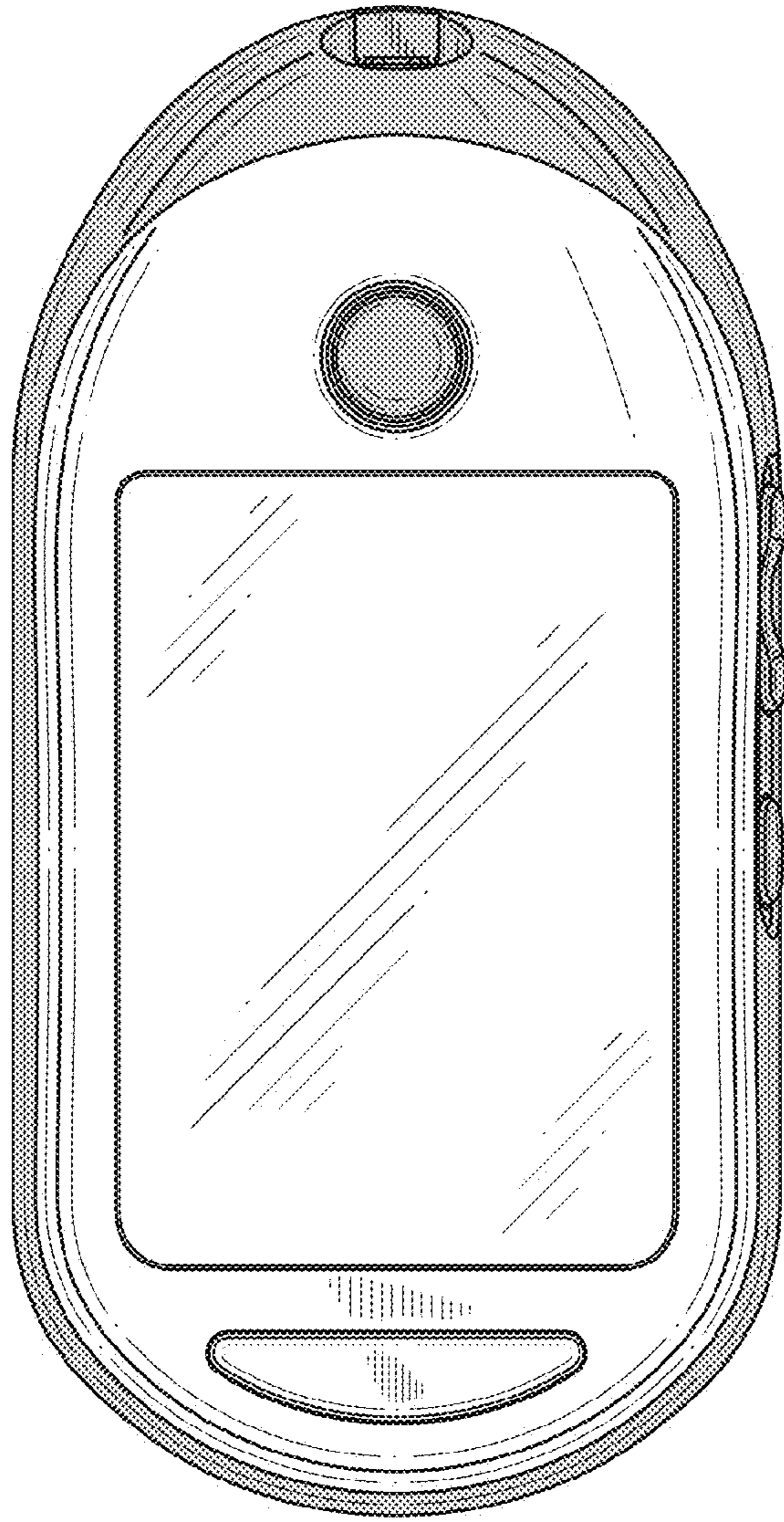
FIG. 14 is a front elevational view of the second version of the analyte test meter.

**1 Claim, 8 Drawing Sheets**  
**(8 of 8 Drawing Sheet(s) Filed in Color)**

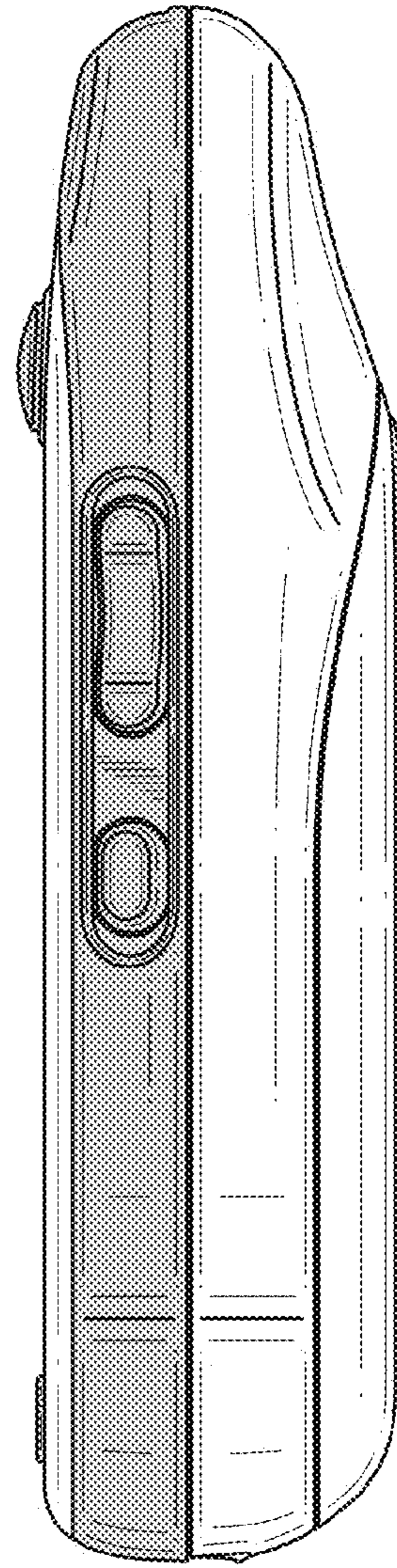




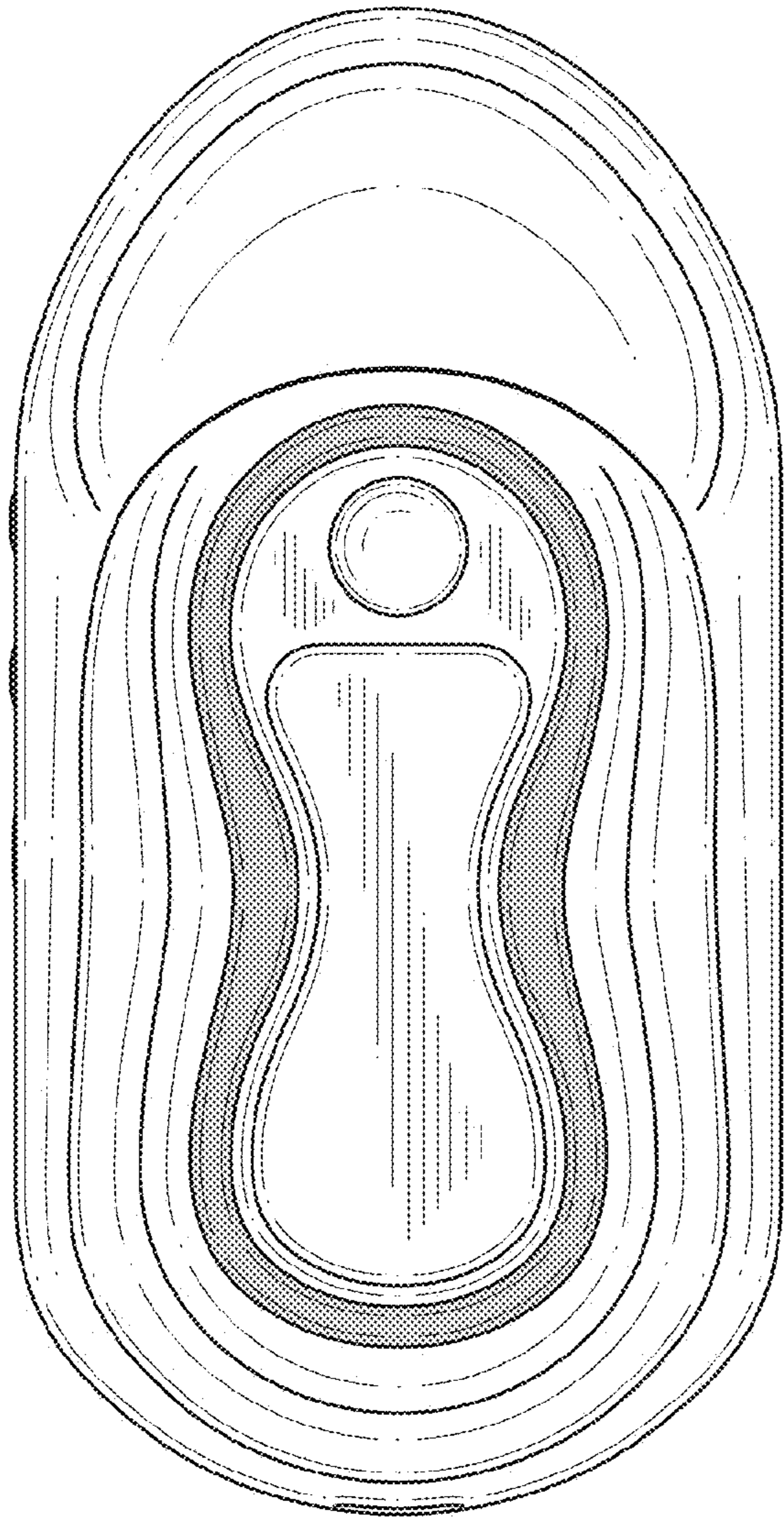
**FIG. 1**



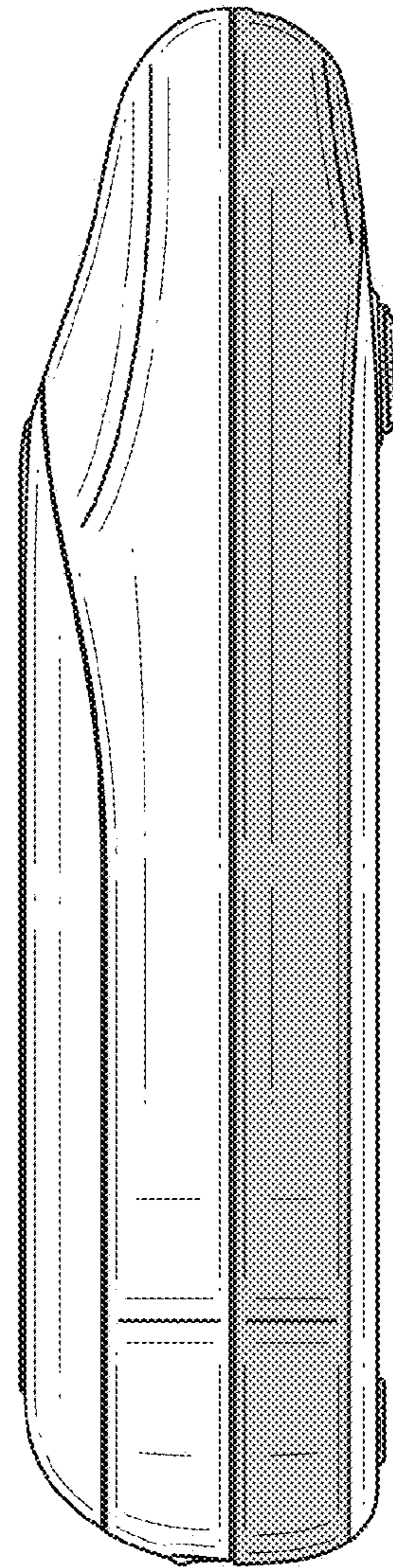
**FIG. 2**



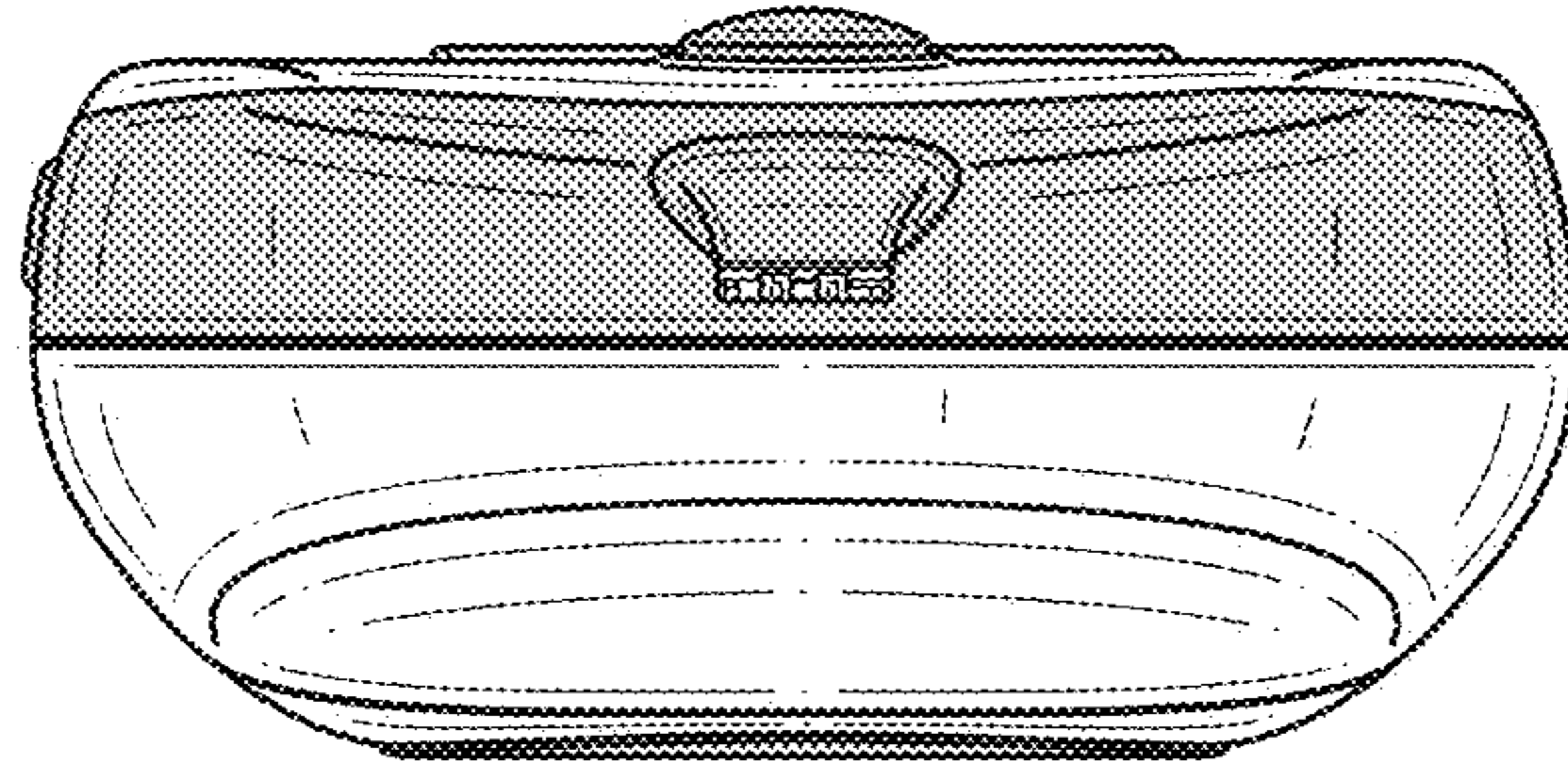
**FIG. 3**



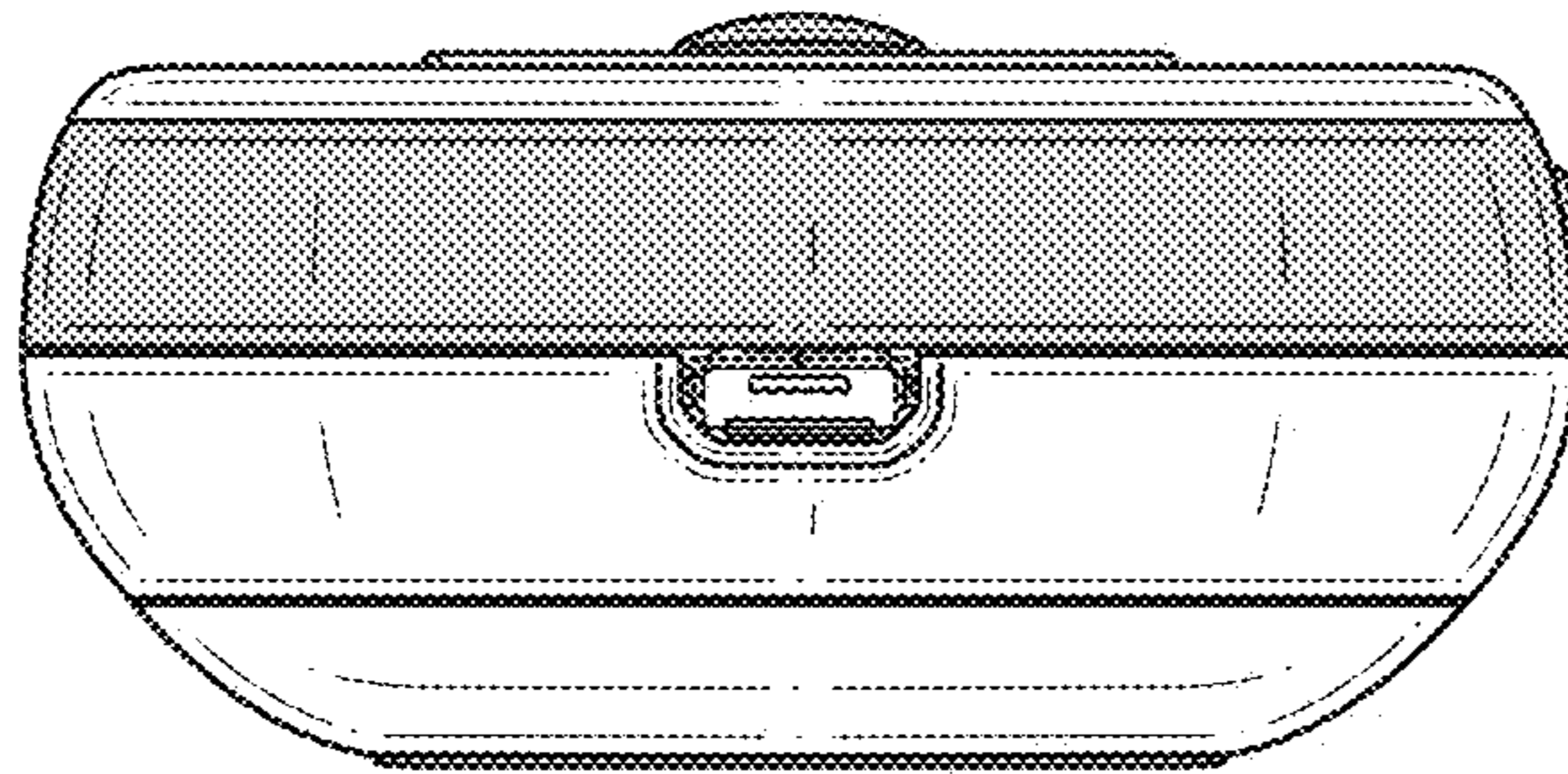
**FIG. 4**



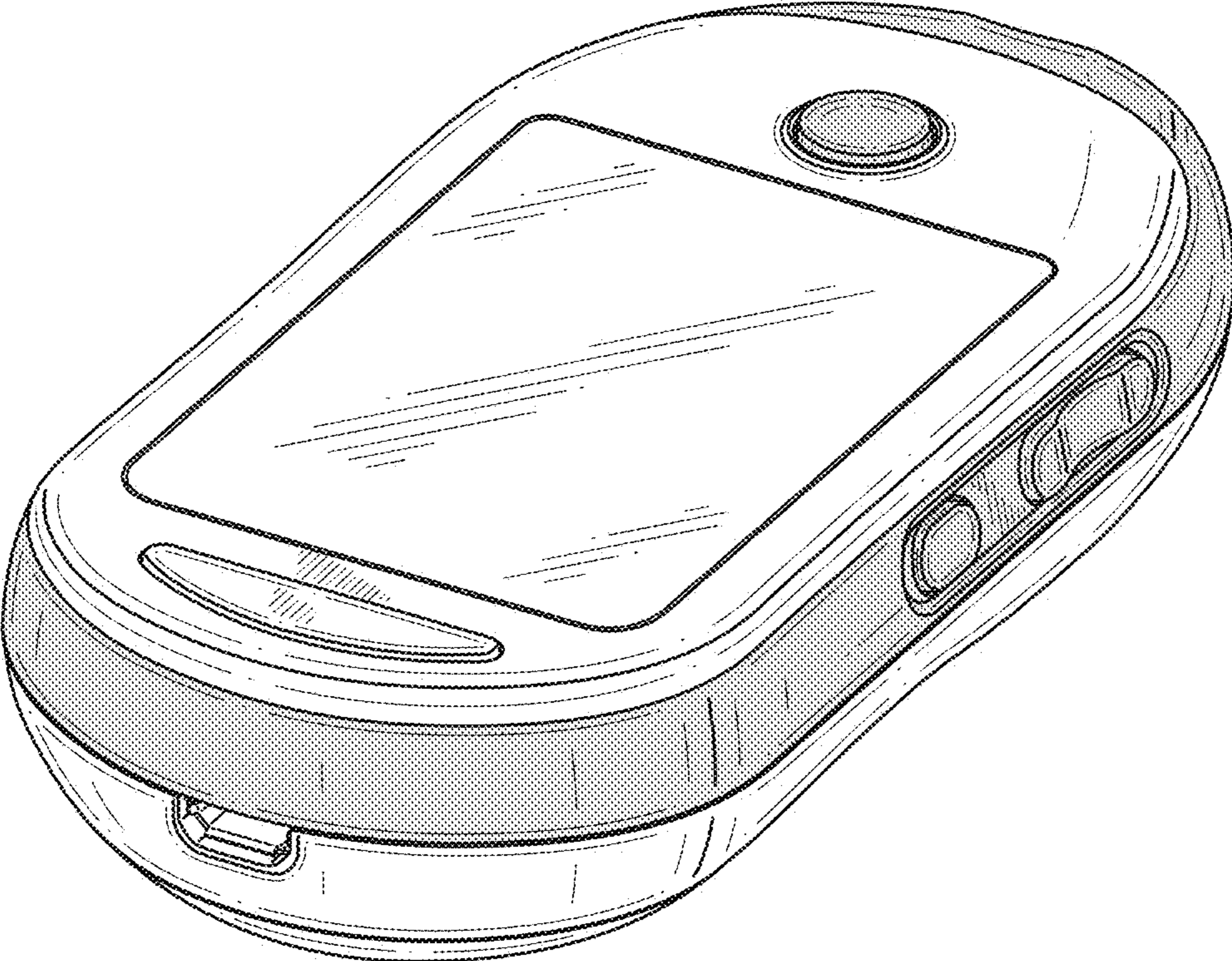
**FIG. 5**



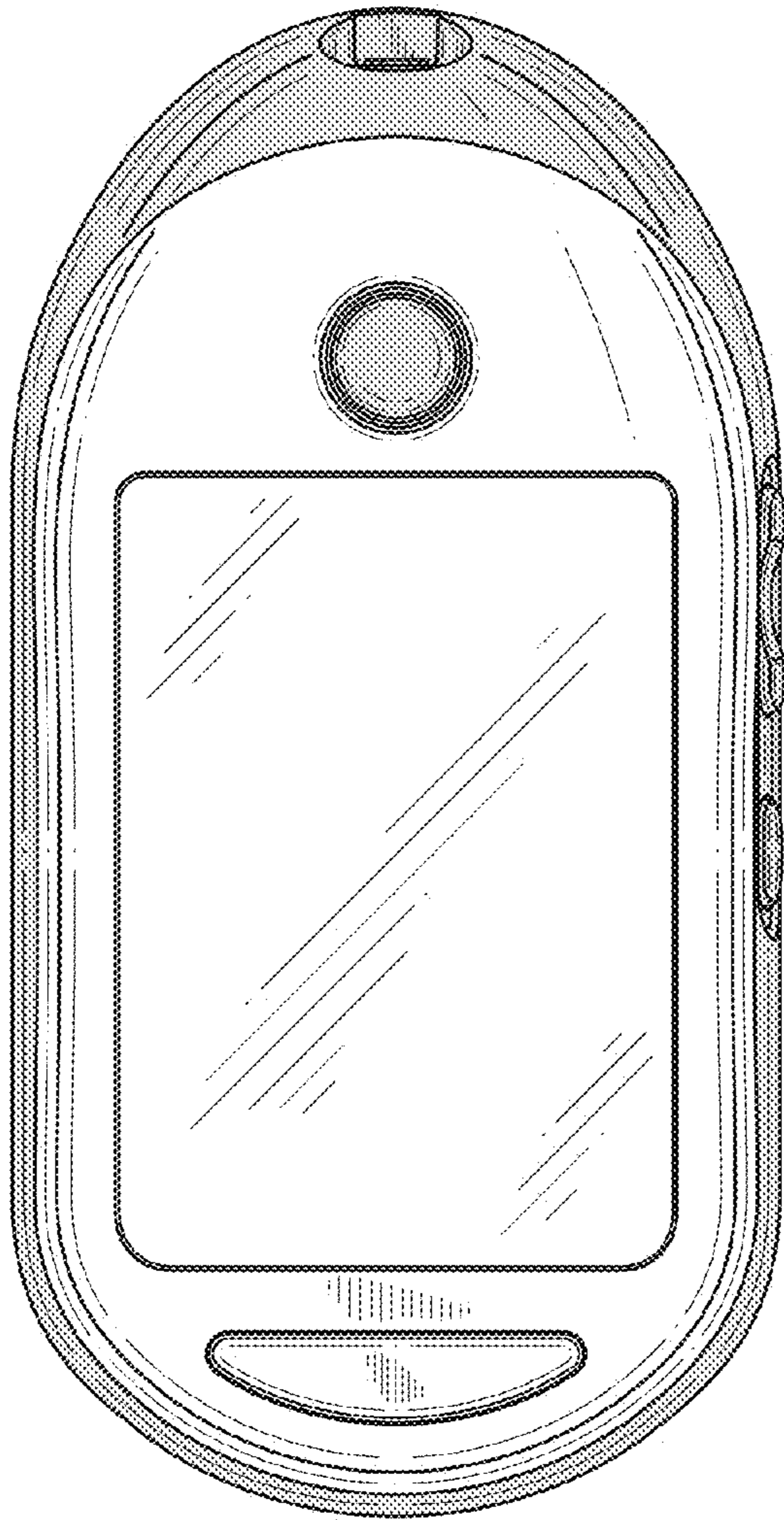
**FIG. 6**



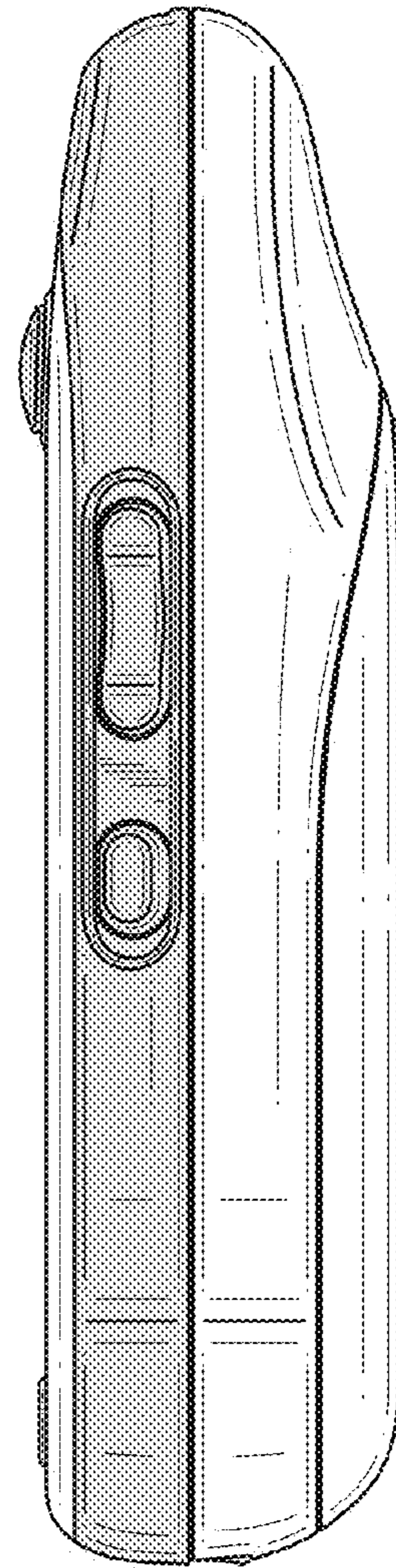
**FIG. 7**



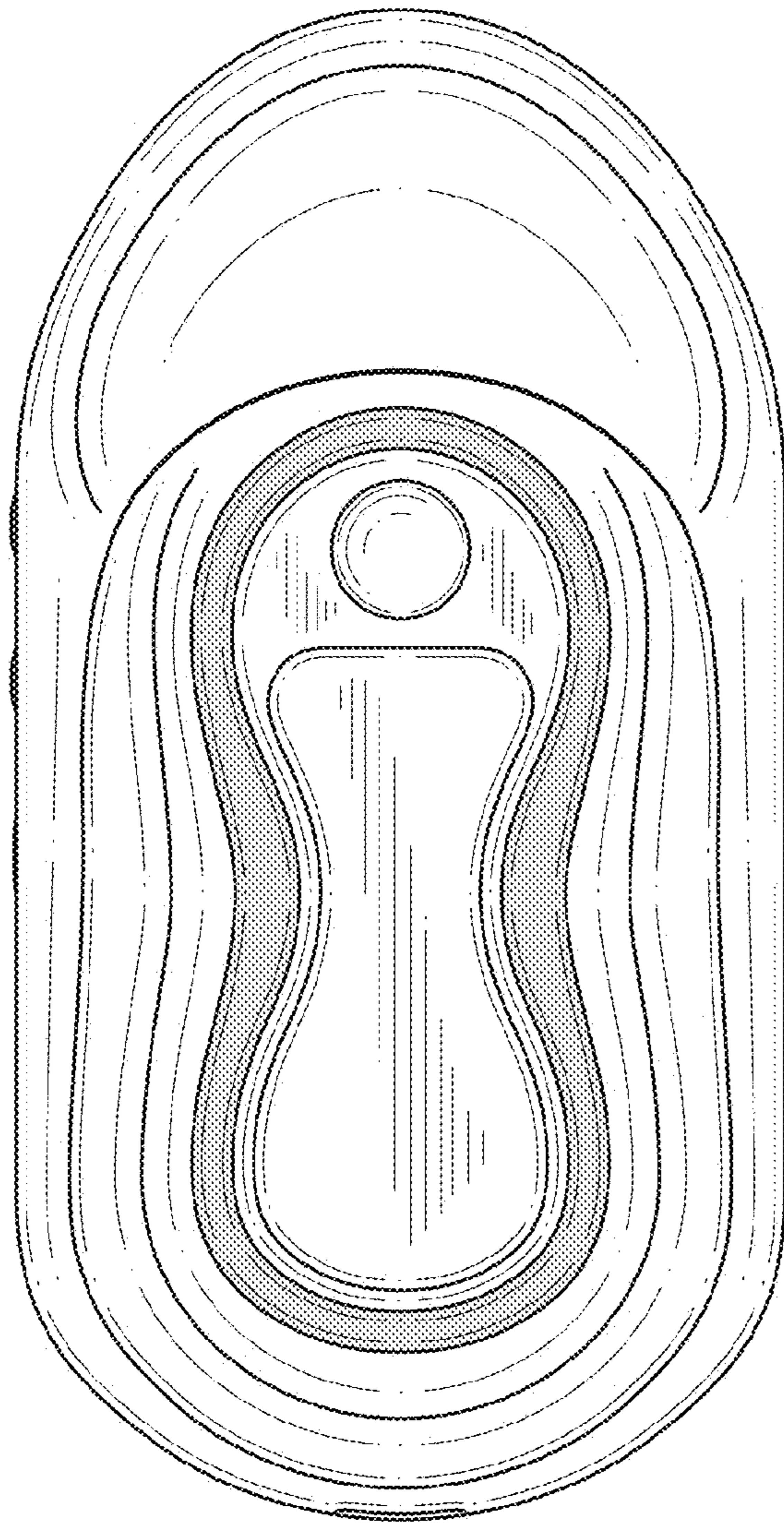
**FIG. 8**



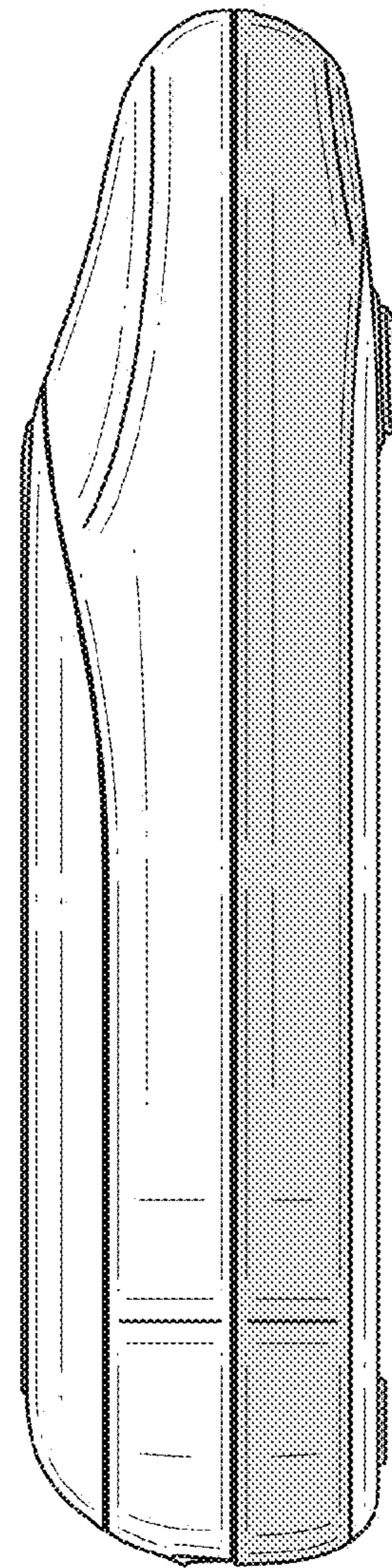
**FIG. 9**



**FIG. 10**

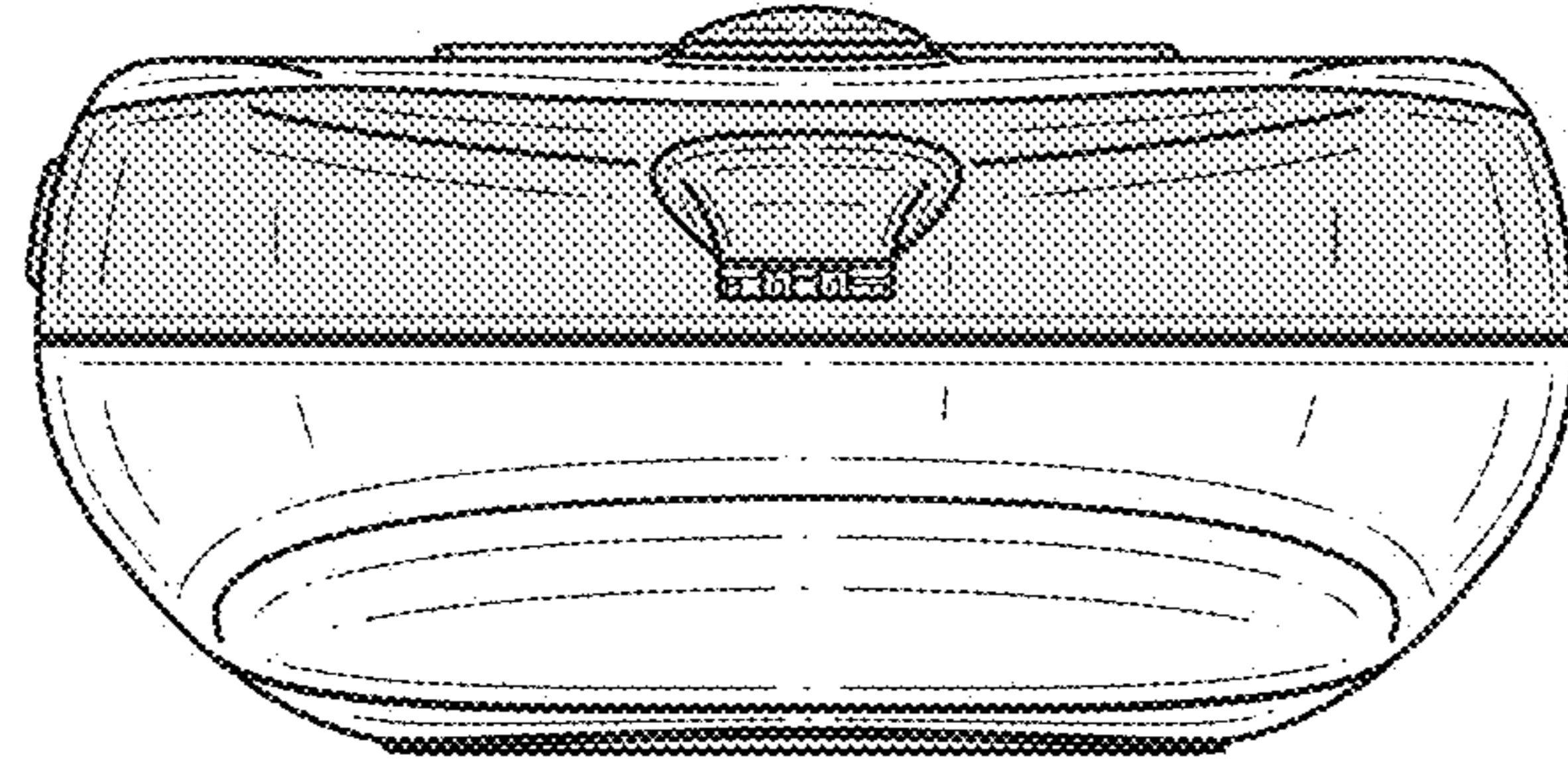


**FIG. 11**

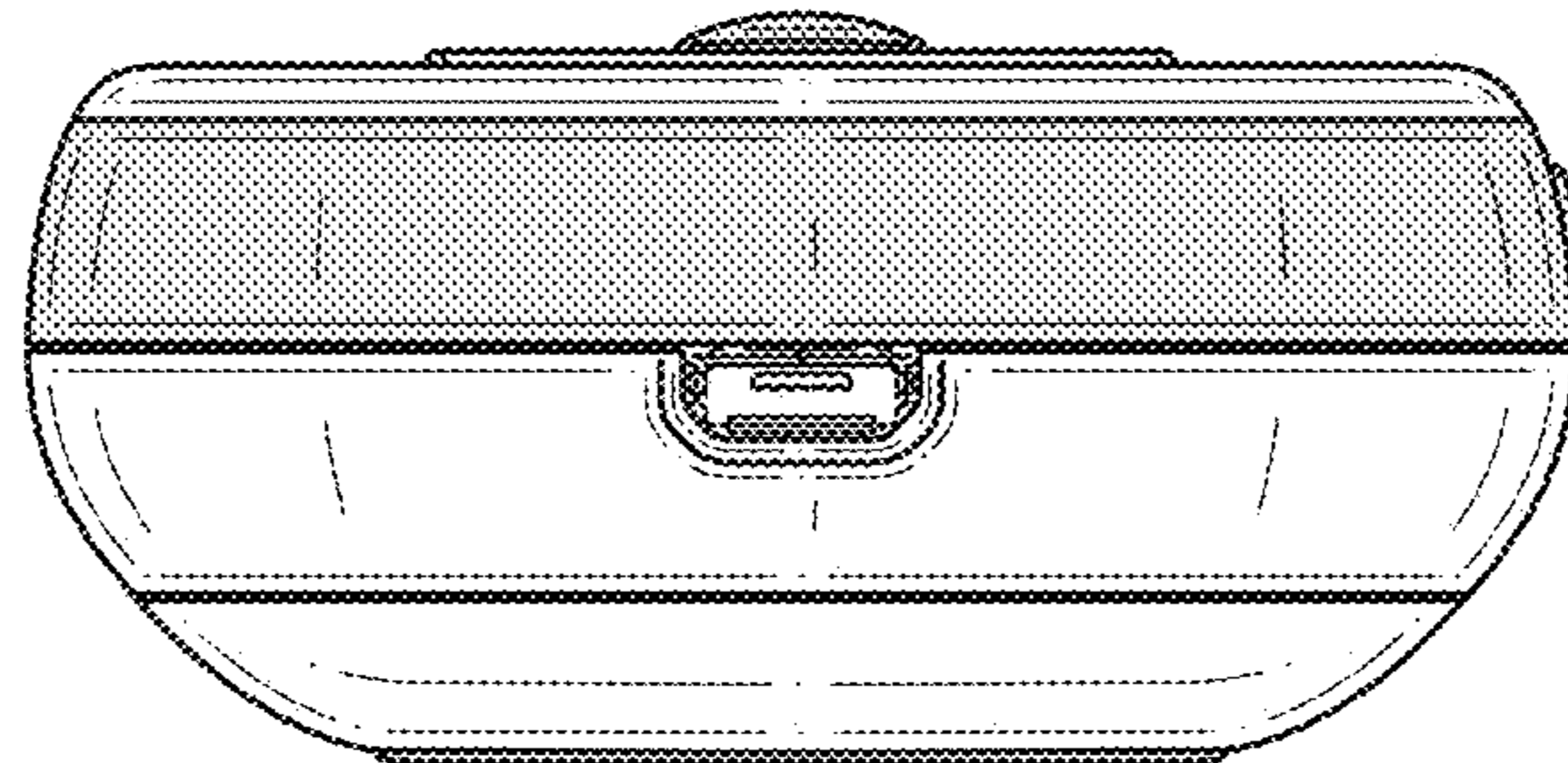


**FIG. 12**





**FIG. 13**



**FIG. 14**