



US00D684488S

(12) **United States Design Patent**
Bins

(10) **Patent No.:** **US D684,488 S**

(45) **Date of Patent:** **** Jun. 18, 2013**

(54) **SLIDABLE TAPE MEASURE ACCESSORY APPARATUS**

OTHER PUBLICATIONS

Tape-Dolly, Wheeled Measuring Tape Attachment, available at <http://www.tapedolly.com/tapedollyabout.htm>, 2001.

(76) Inventor: **Matt Bins**, Whitefish Bay, WI (US)

* cited by examiner

(**) Term: **14 Years**

Primary Examiner — Antoine D Davis

(21) Appl. No.: **29/415,103**

(57) **CLAIM**

The ornamental design for a slidable tape measure accessory apparatus, as shown and described.

(22) Filed: **Mar. 7, 2012**

DESCRIPTION

(51) **LOC (9) Cl.** **10-04**

(52) **U.S. Cl.**
USPC **D10/74**

(58) **Field of Classification Search**
USPC D10/72, 74; 33/758, 759, 770
See application file for complete search history.

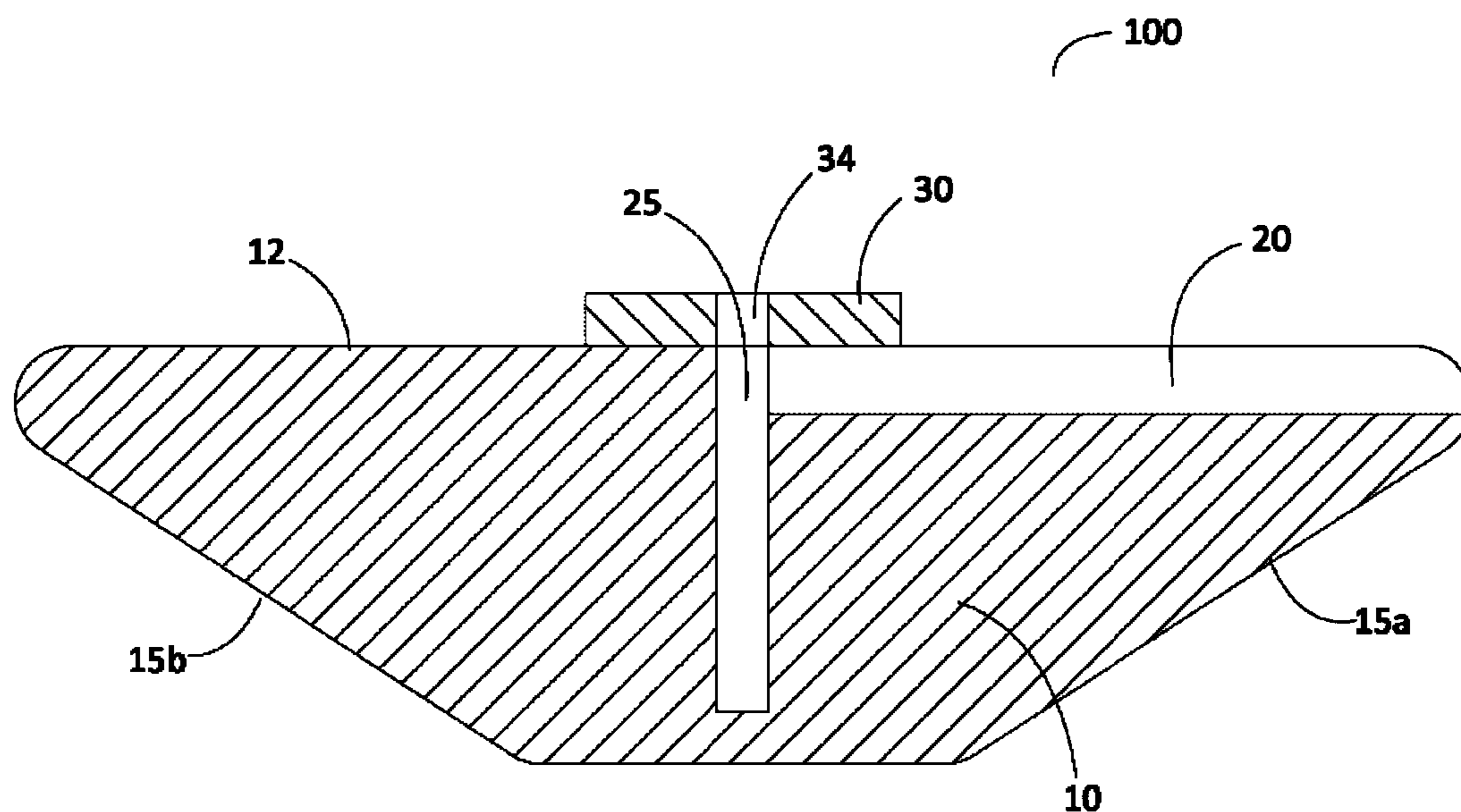
FIG. 1 is an isometric plan view of my slidable tape measure accessory apparatus;
FIG. 2 is a left plan view thereof;
FIG. 3 is a right plan view thereof;
FIG. 4 is a front plan view thereof;
FIG. 5 is a rear view thereof;
FIG. 6 is a top plan view thereof;
FIG. 7 is a cross-sectional view thereof;
FIG. 8 is a bottom plan view thereof;
FIG. 9 is an isometric plan view thereof with clasp in open position;
FIG. 10 is an isometric plan view thereof with clasp in open position; and,
FIG. 11 is an isometric plan view thereof with clasp in closed position.
Broken lines shown in FIGS. 10-11 represent a stand tape measure and form no part of the claimed design.

(56) **References Cited**

U.S. PATENT DOCUMENTS

2,591,333	A *	4/1952	Bellmer	33/770
3,965,579	A	6/1976	Woods		
4,864,734	A *	9/1989	Woodard et al.	33/428
4,999,924	A *	3/1991	Shields	33/770
5,214,859	A	6/1993	Buhler		
5,231,769	A	8/1993	Mahan		
5,425,181	A	6/1995	Calvert		
5,600,894	A *	2/1997	Blackman et al.	33/758
6,101,734	A	8/2000	Ten Caat et al.		
D553,028	S *	10/2007	Sumner	D10/74
2012/0073155	A1 *	3/2012	Mabey	33/770

1 Claim, 11 Drawing Sheets



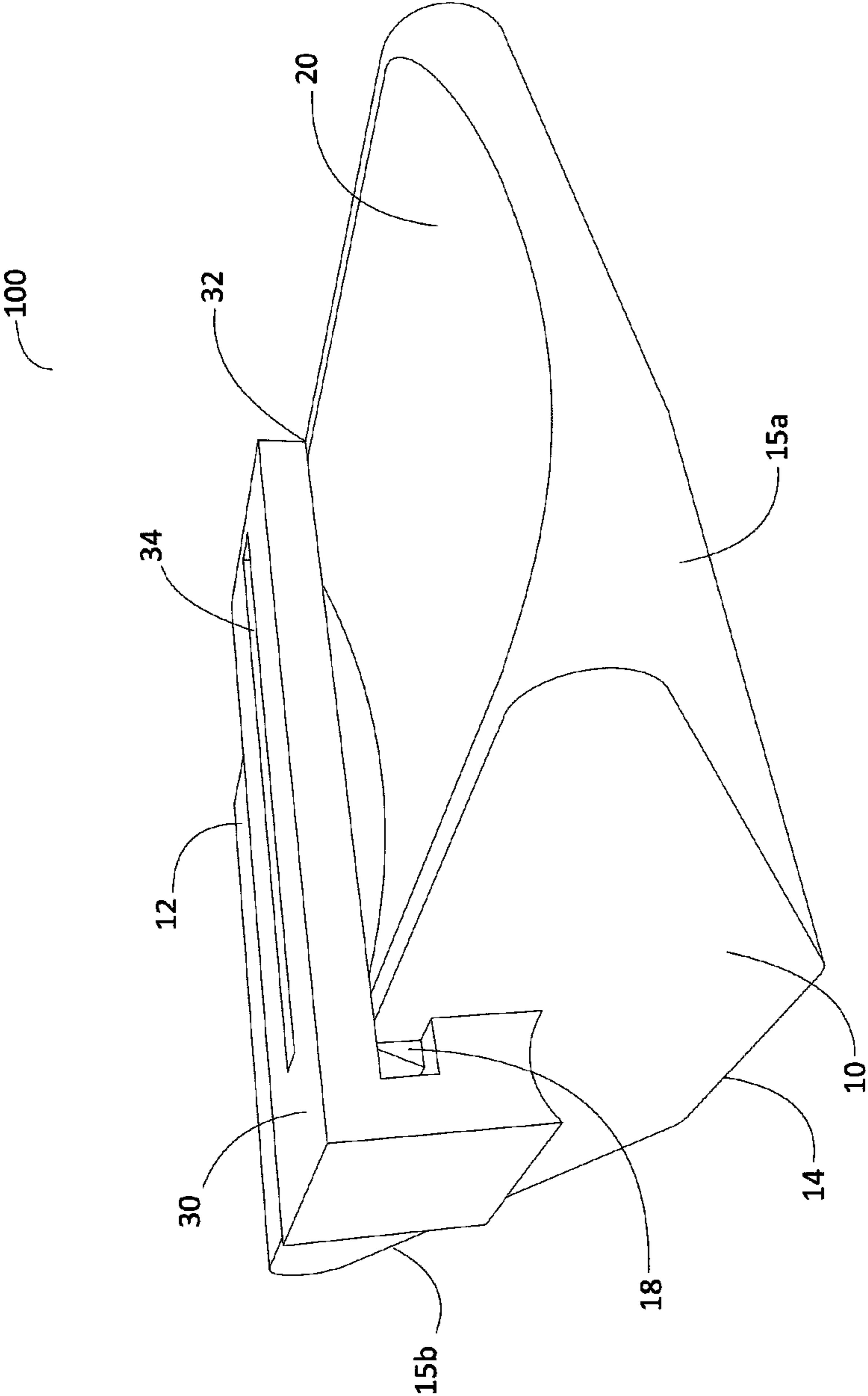


FIG. 1

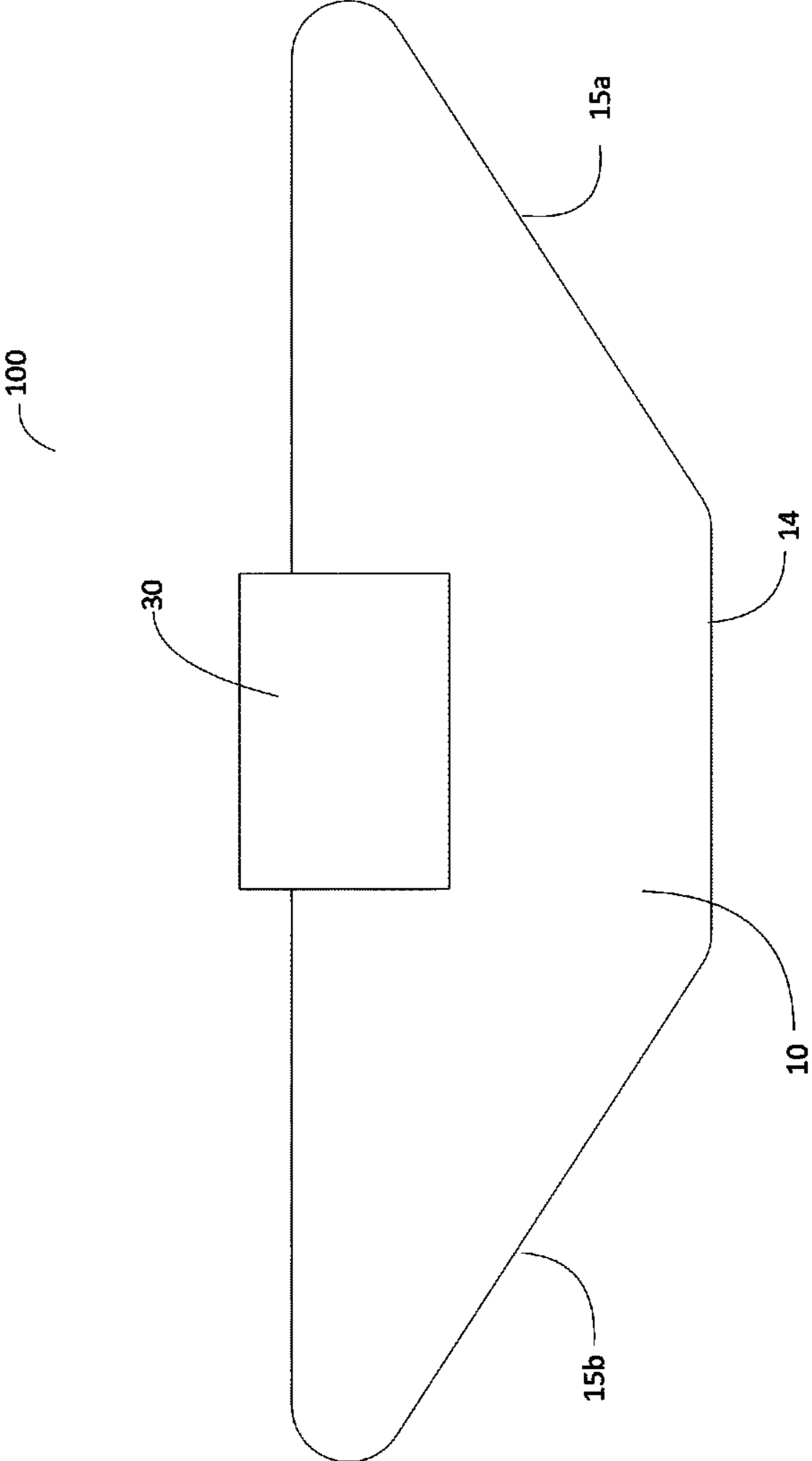


FIG. 2

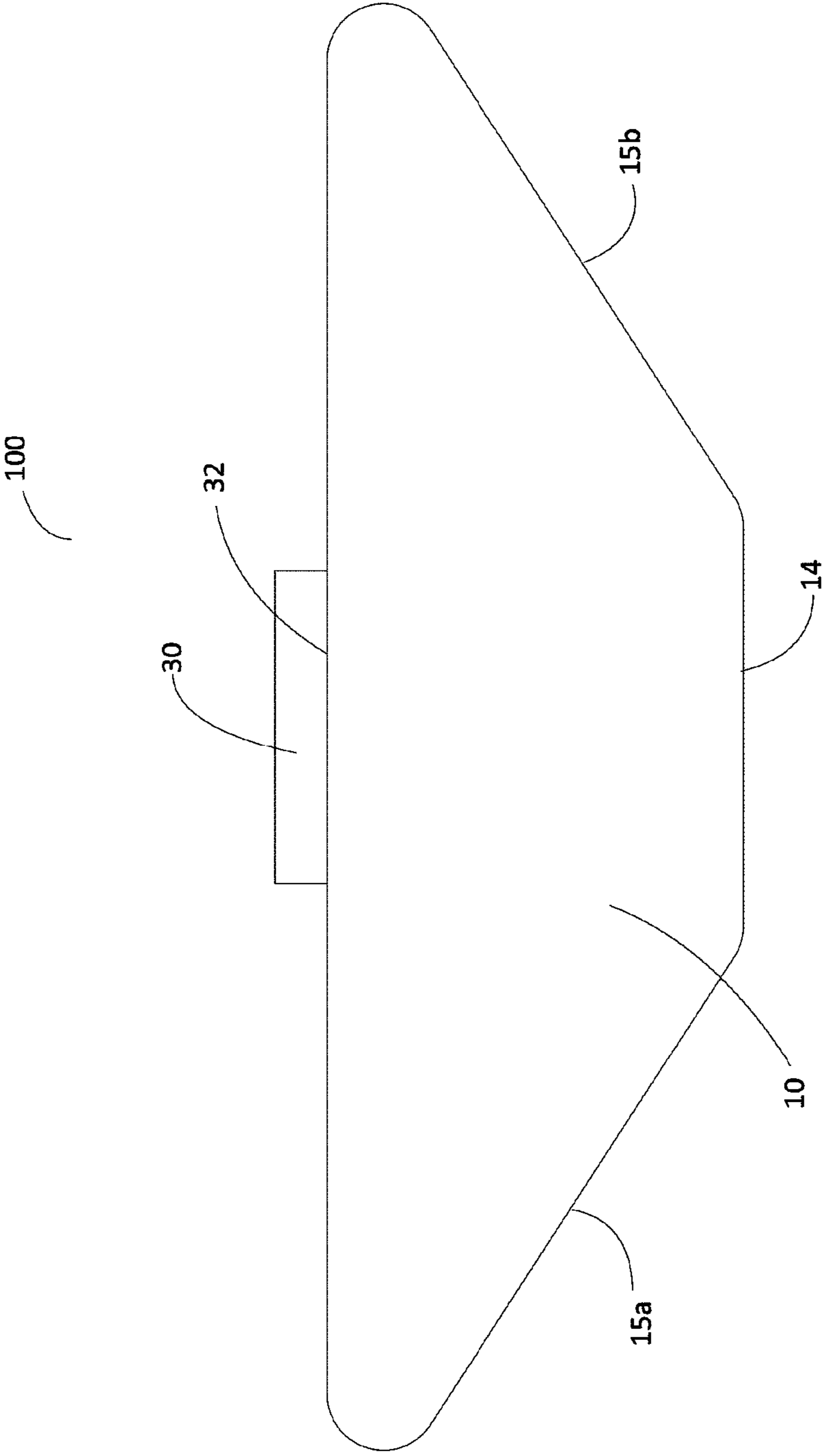


FIG. 3

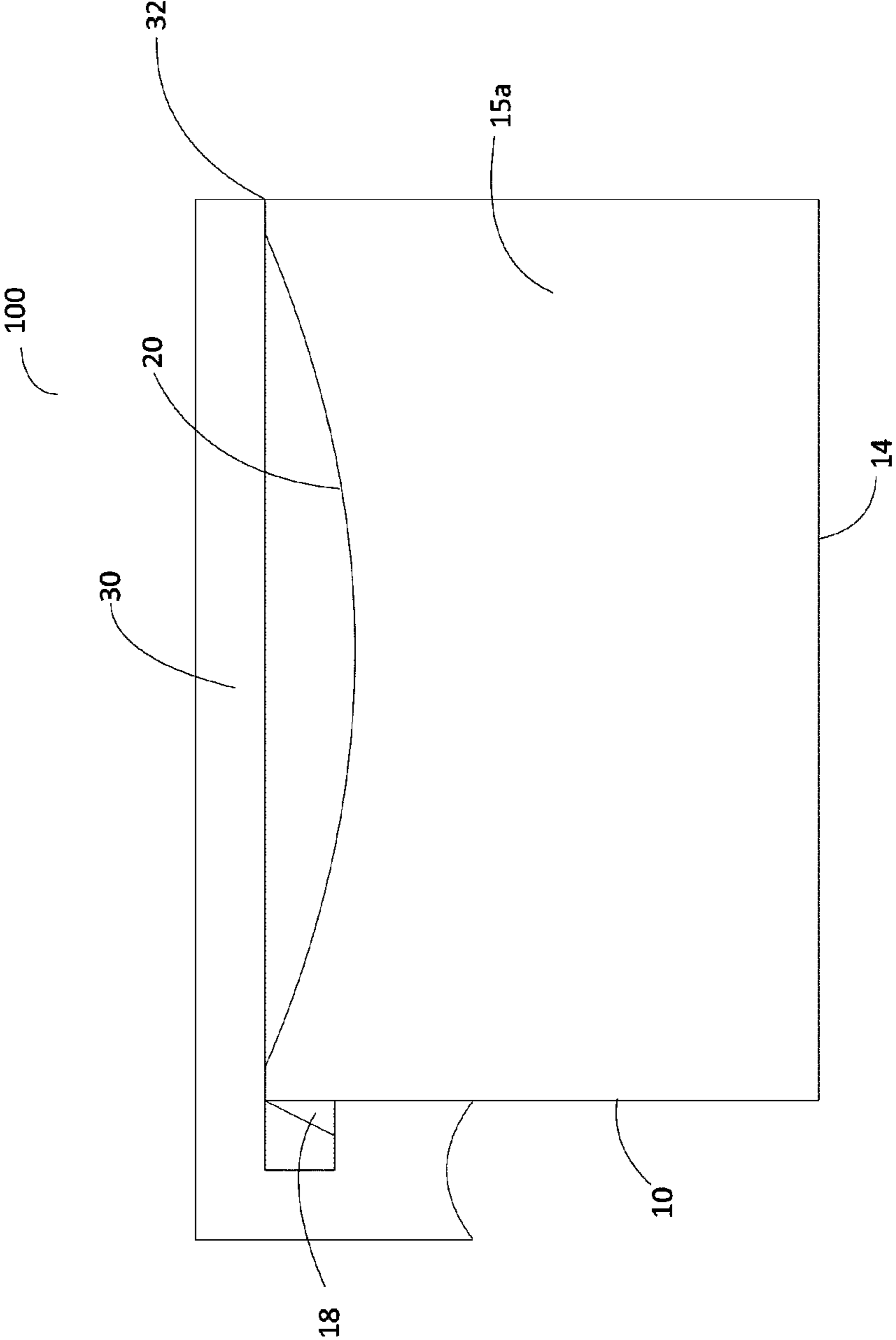


FIG. 4

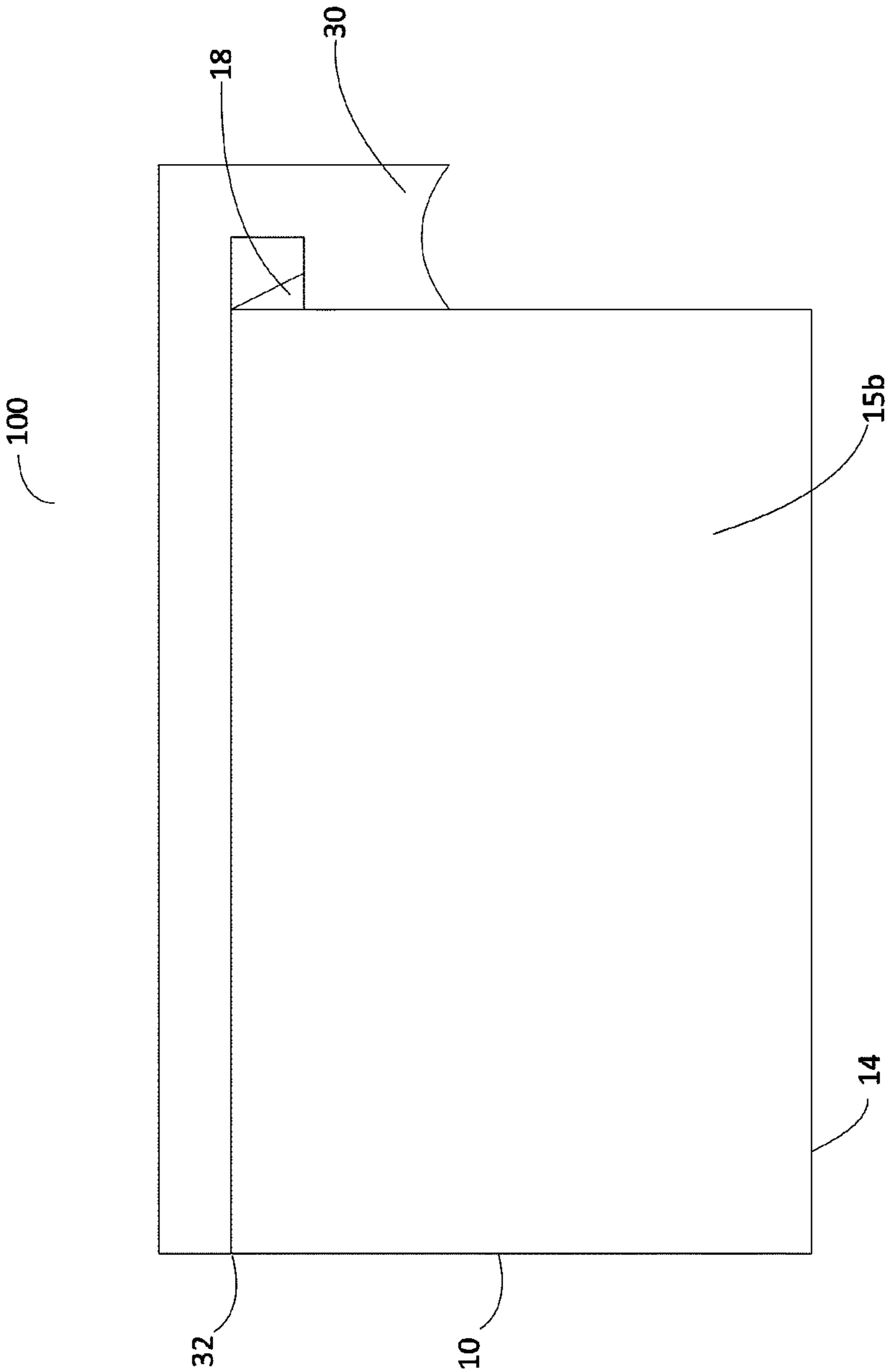


FIG. 5

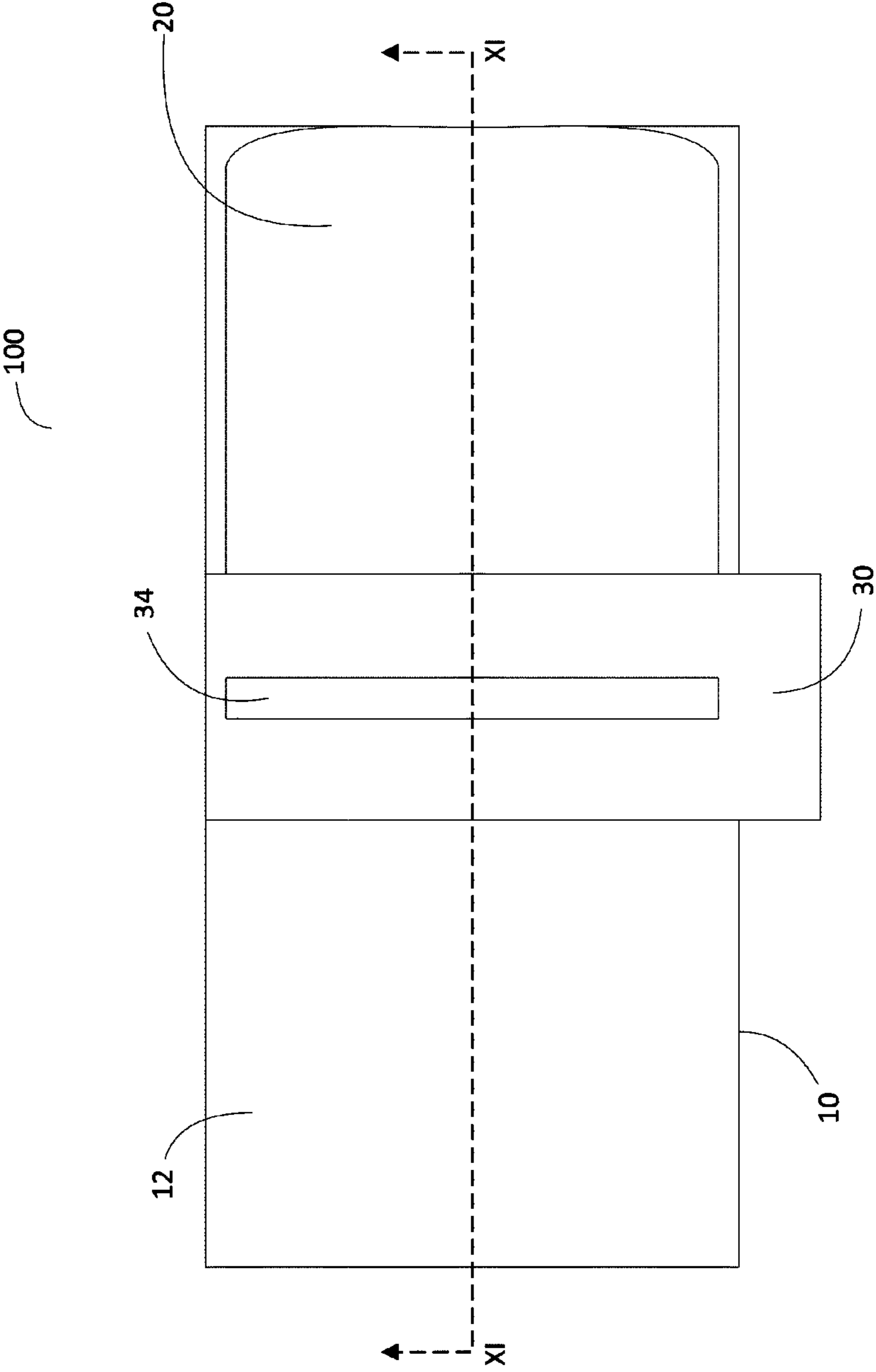


FIG. 6

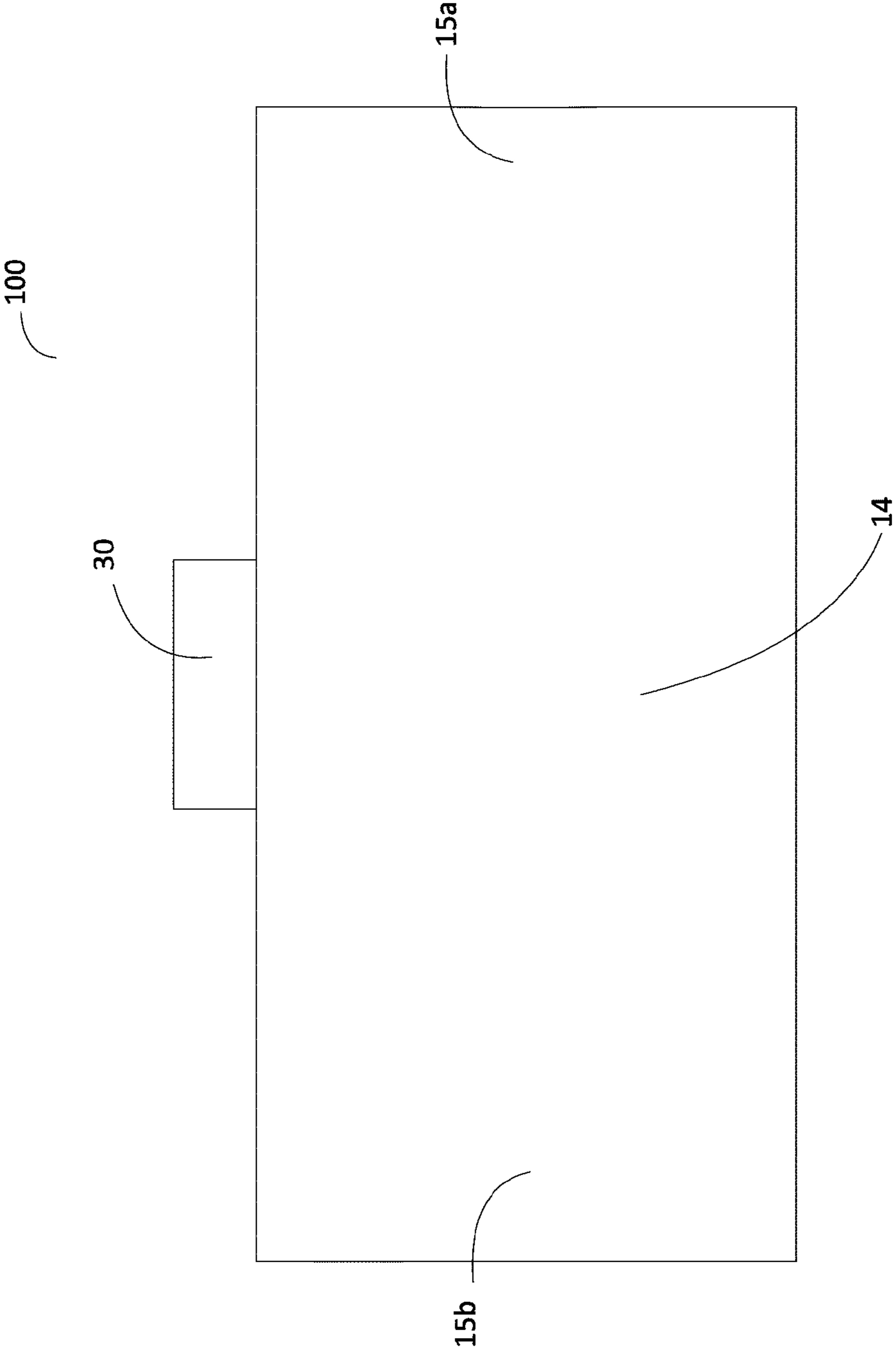


FIG. 7

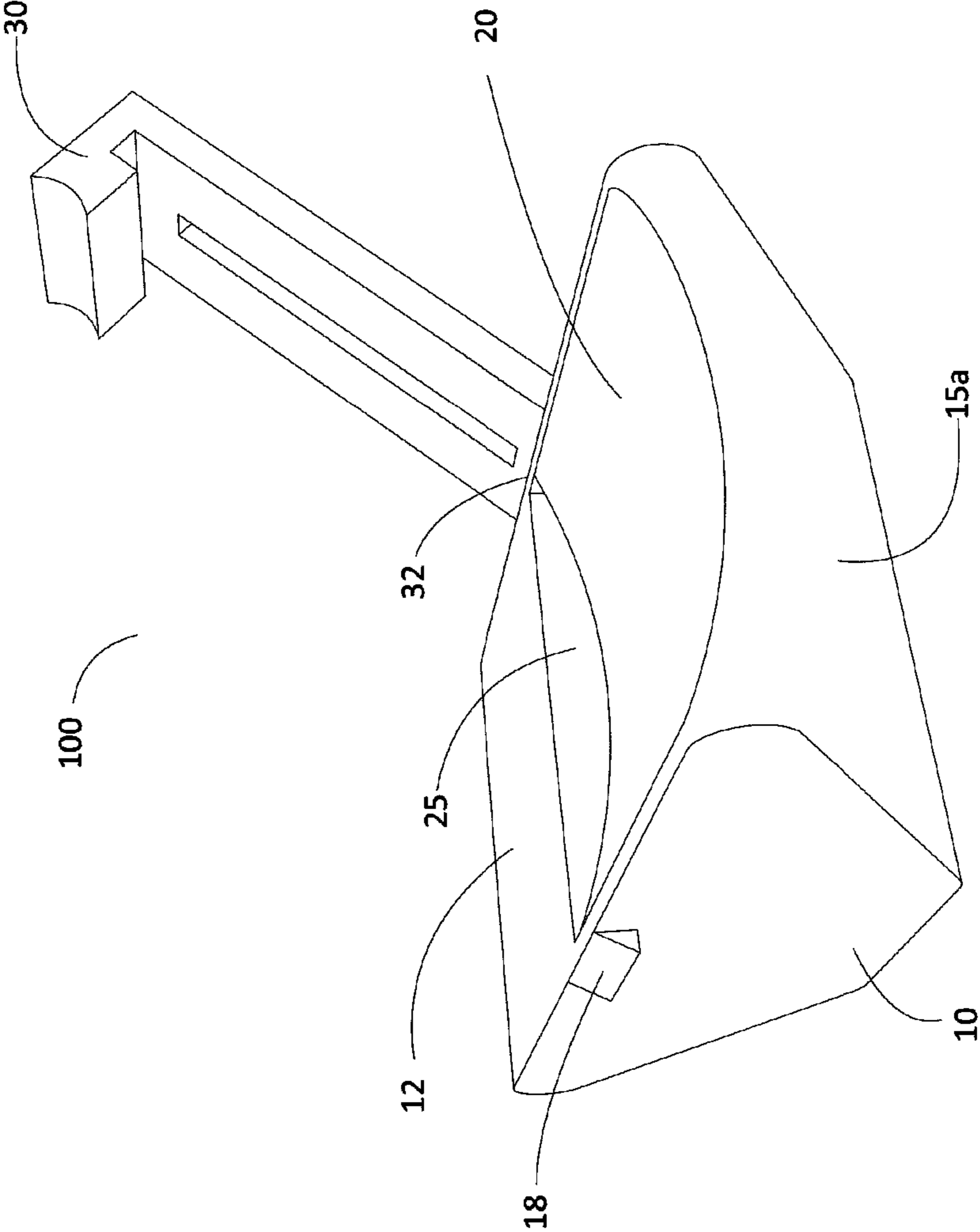


FIG. 8

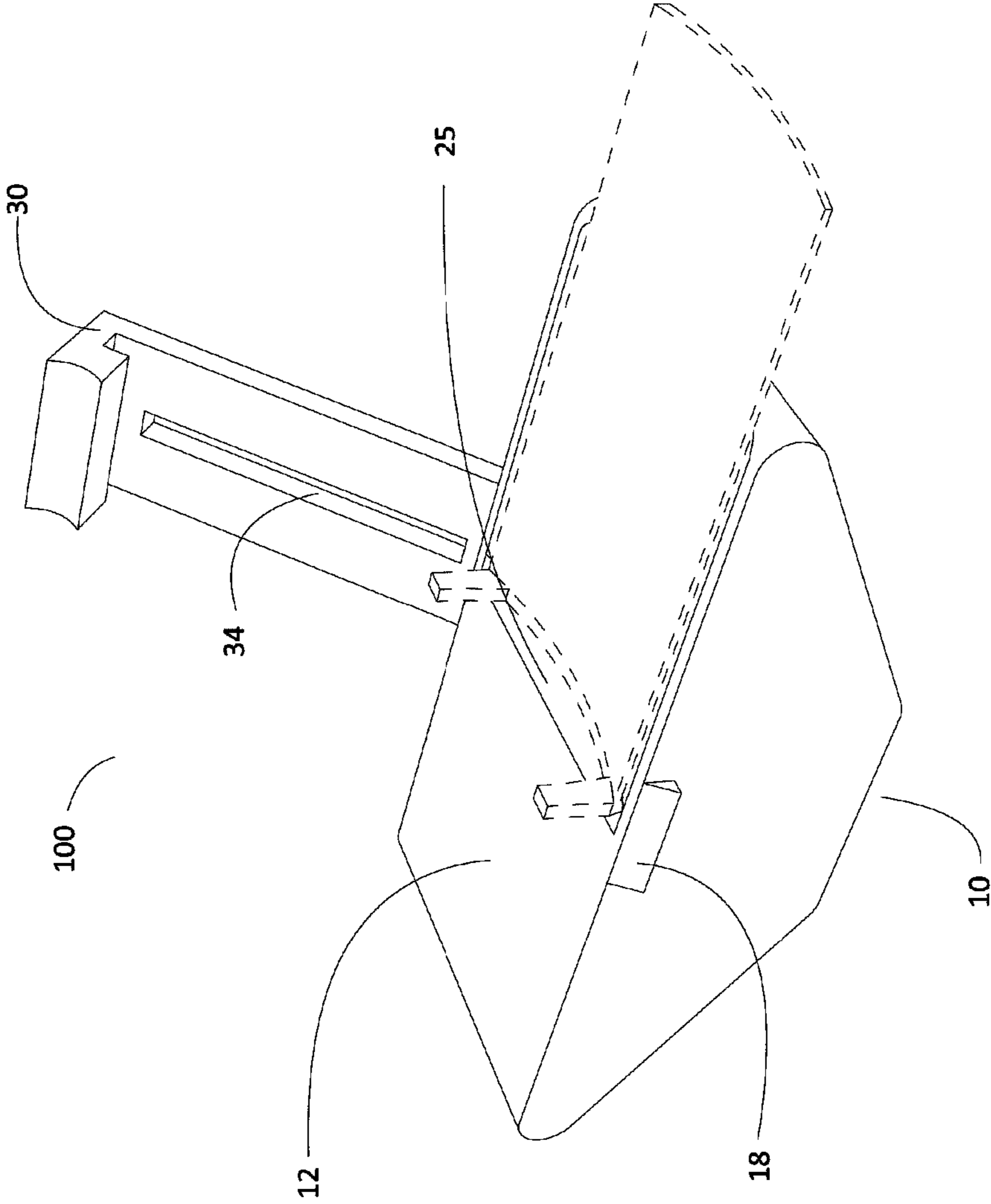


FIG. 9

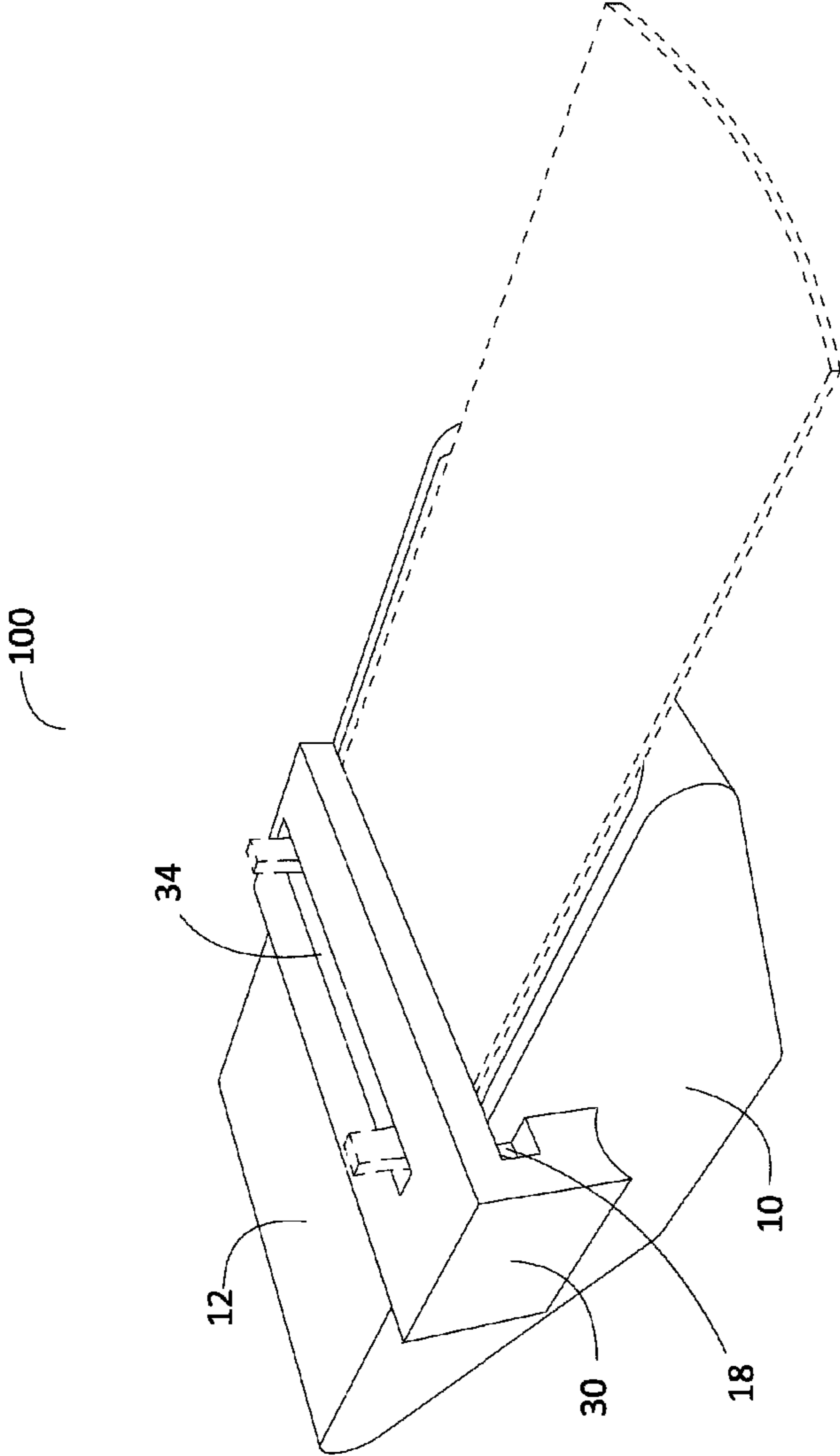


FIG. 10

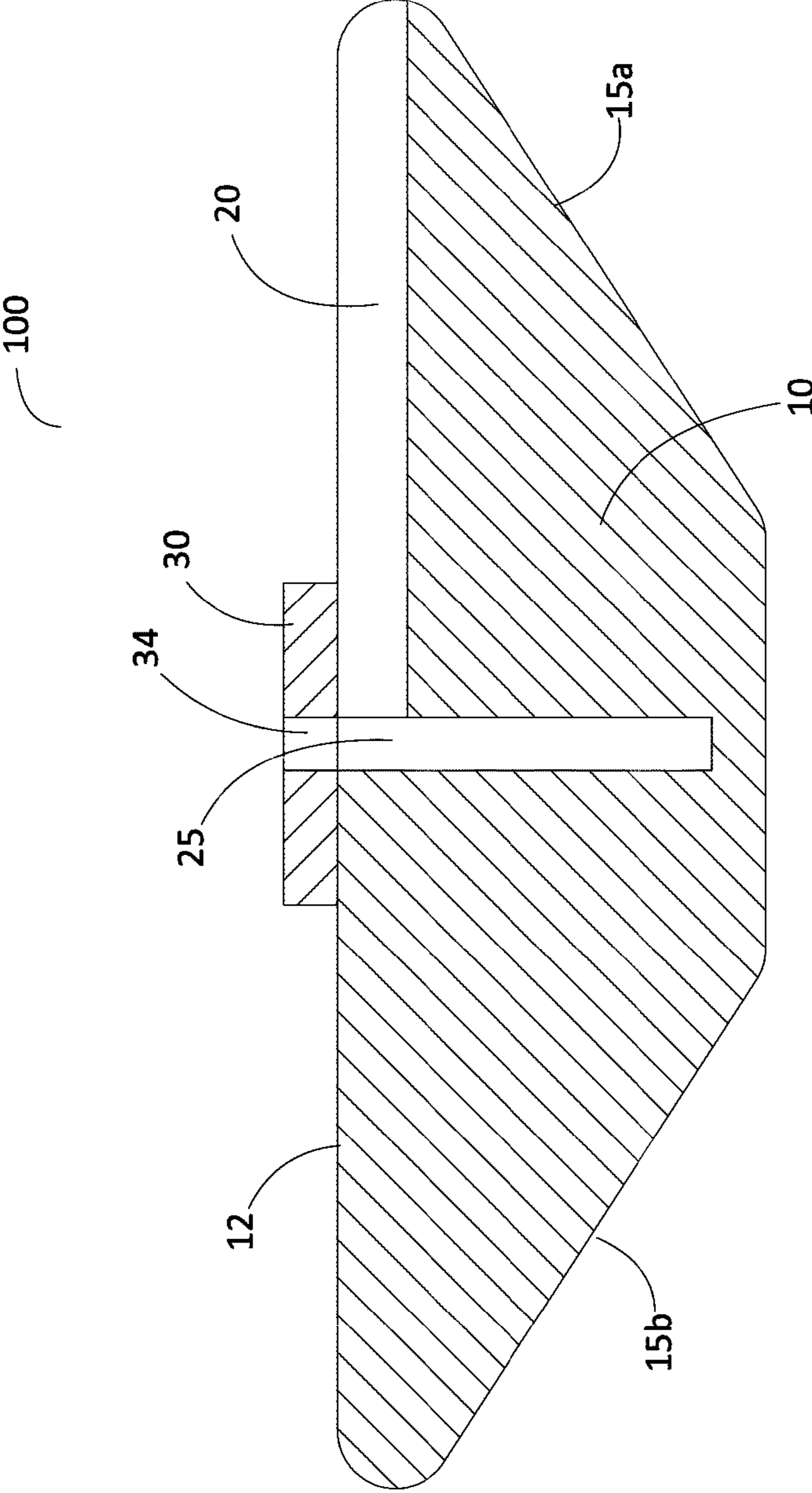


FIG. 11