



US00D684486S

(12) **United States Design Patent**
Messmer et al.

(10) **Patent No.:** **US D684,486 S**
(45) **Date of Patent:** **** Jun. 18, 2013**

(54) **WATCH**

(71) Applicant: **ZD Luxury Watches and Accessories Ltd., Basel (CH)**

(72) Inventors: **Stephan Messmer, Basel (CH); Sebastian Muniz, St-Blaise (CH)**

(73) Assignee: **ZD Luxury Watches And Accessories, Ltd., Basel (CH)**

(**) Term: **14 Years**

(21) Appl. No.: **29/435,997**

(22) Filed: **Oct. 31, 2012**

(51) **LOC (9) Cl.** **10-02**

(52) **U.S. Cl.**
USPC **D10/39**

(58) **Field of Classification Search**
USPC D10/30-39, 122-132; 368/276, 281, 368/282, 223, 228, 232
See application file for complete search history.

(56) **References Cited**

U.S. PATENT DOCUMENTS

3,740,944 A * 6/1973 Chopard 368/281
3,901,023 A * 8/1975 Uebelhardt 368/281

D438,472 S *	3/2001	Fichter	D10/39
D500,684 S *	1/2005	Peraldi	D10/39
D512,654 S *	12/2005	Scheufele	D10/39
D551,095 S *	9/2007	Monachon	D10/32
D569,276 S *	5/2008	Scheufele	D10/39
D598,303 S *	8/2009	Jorst et al.	D10/38
D608,223 S *	1/2010	Salanitro	D10/38
D624,443 S *	9/2010	Cerrato	D10/38
D632,978 S *	2/2011	Duport et al.	D10/32
D645,766 S *	9/2011	Bertucci	D10/38
D646,184 S *	10/2011	Duport et al.	D10/39

* cited by examiner

Primary Examiner — Lucy Lieberman

(74) *Attorney, Agent, or Firm* — Krieg DeVault LLP; Clifford W. Browning

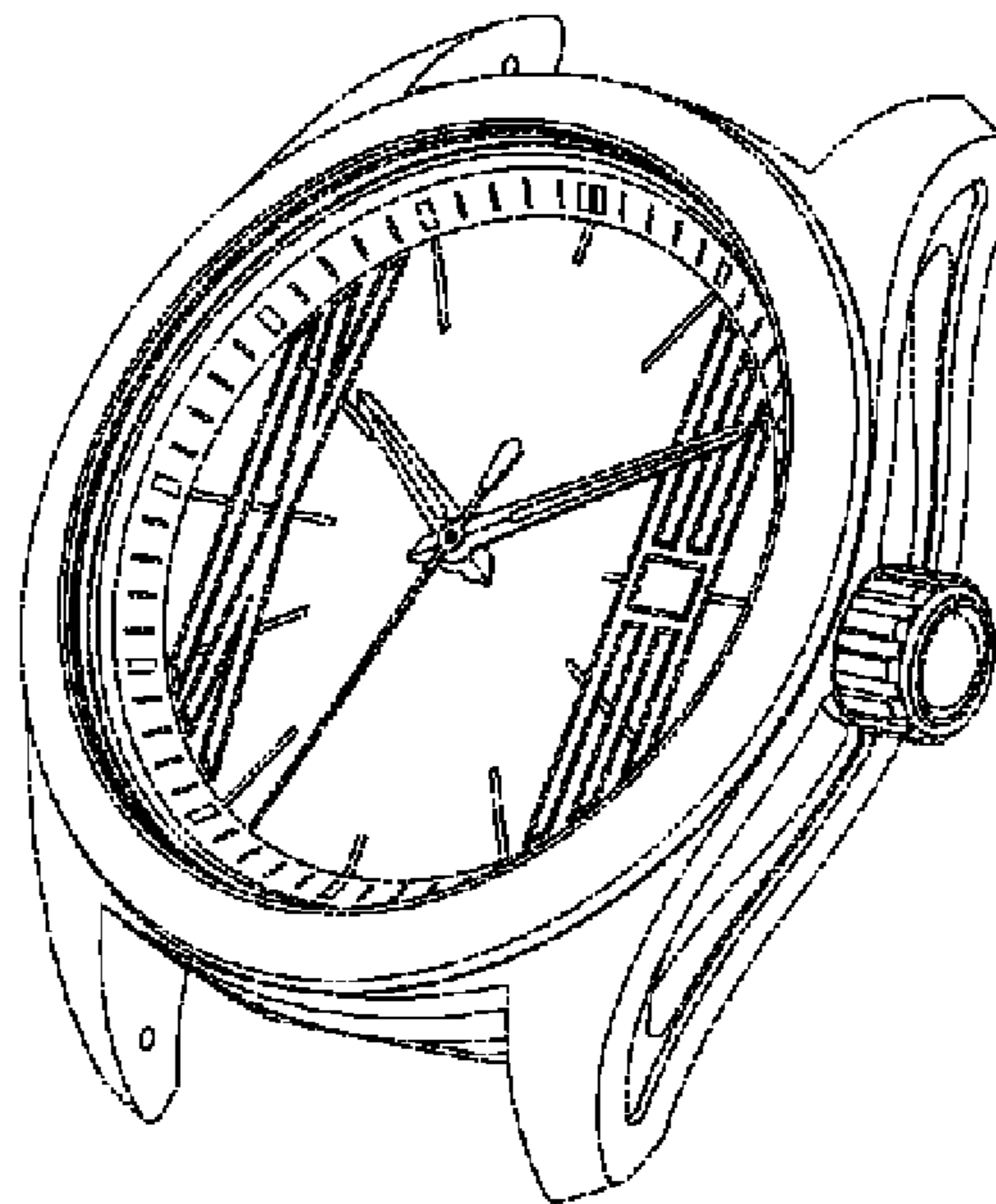
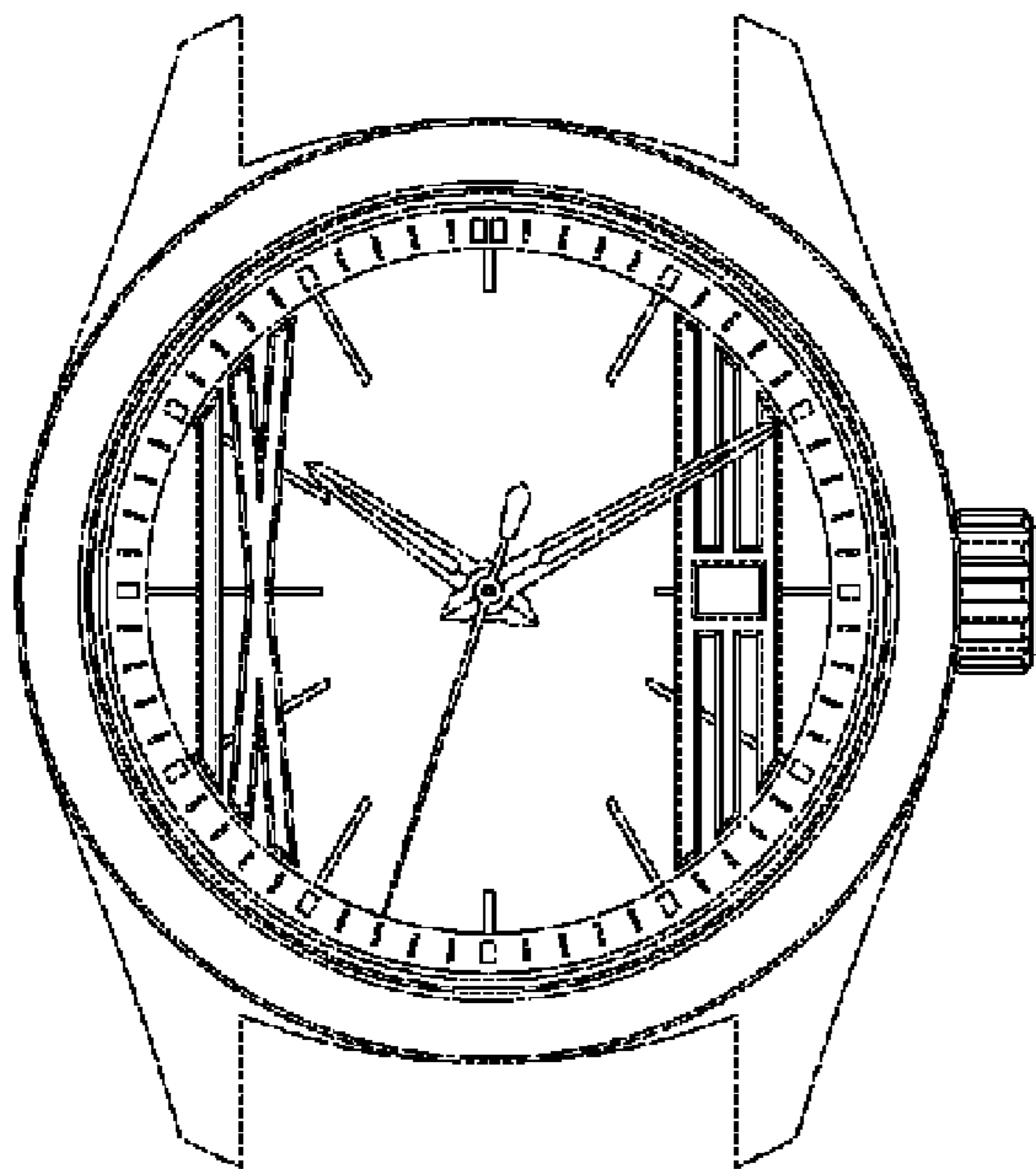
(57) **CLAIM**

The ornamental design for a watch, as shown and described.

DESCRIPTION

FIG. 1 is a top view of the watch of the present invention.
FIG. 2 is a bottom view of the watch of FIG. 1.
FIG. 3 is a front view of the watch of FIG. 1.
FIG. 4 is a rear view of the watch of FIG. 1.
FIG. 5 is a left side view of the watch of FIG. 1.
FIG. 6 is a right side view of the watch of FIG. 1; and,
FIG. 7 is a top, right-side perspective view of the watch of FIG. 1.

1 Claim, 1 Drawing Sheet



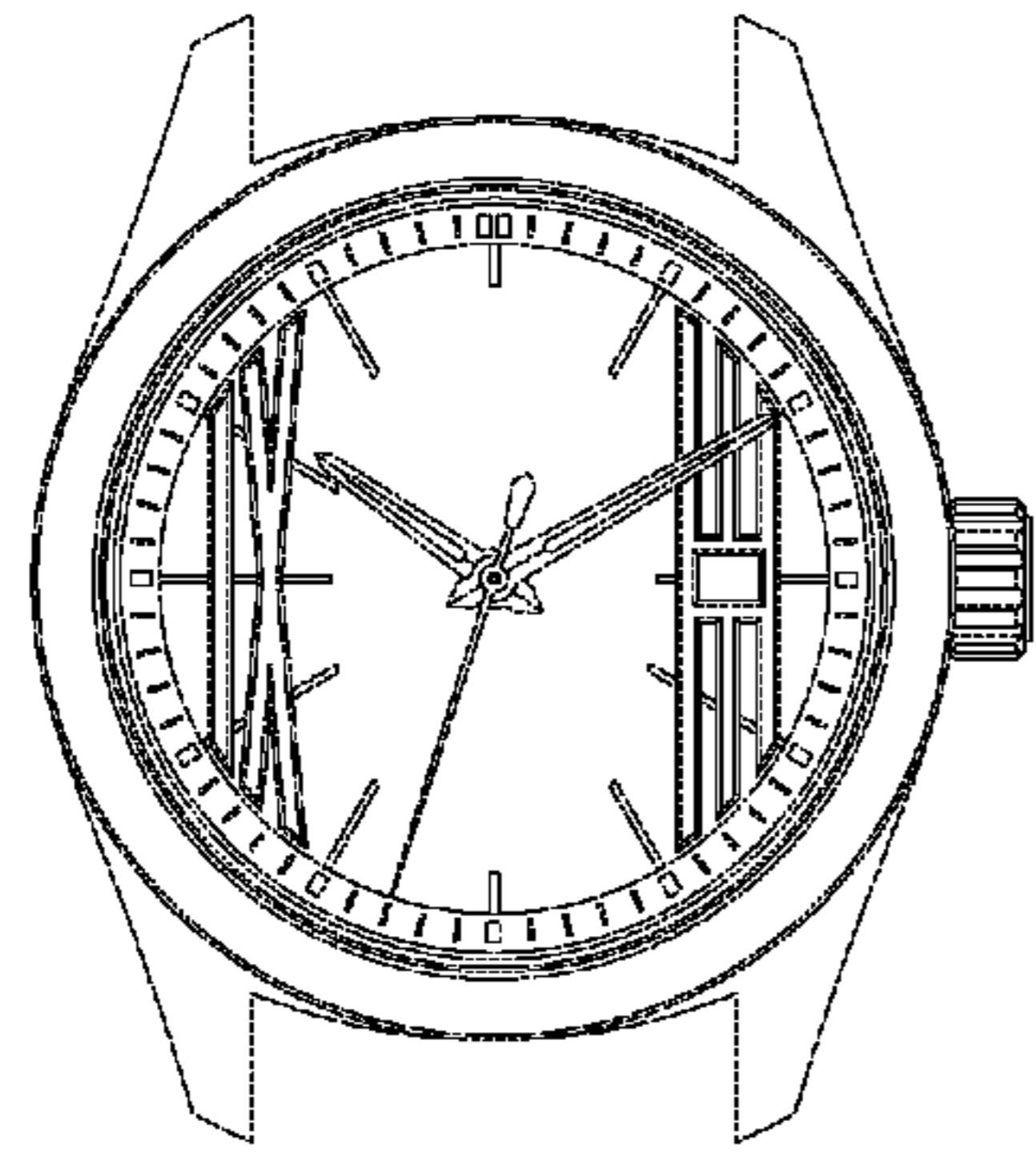


FIG. 1

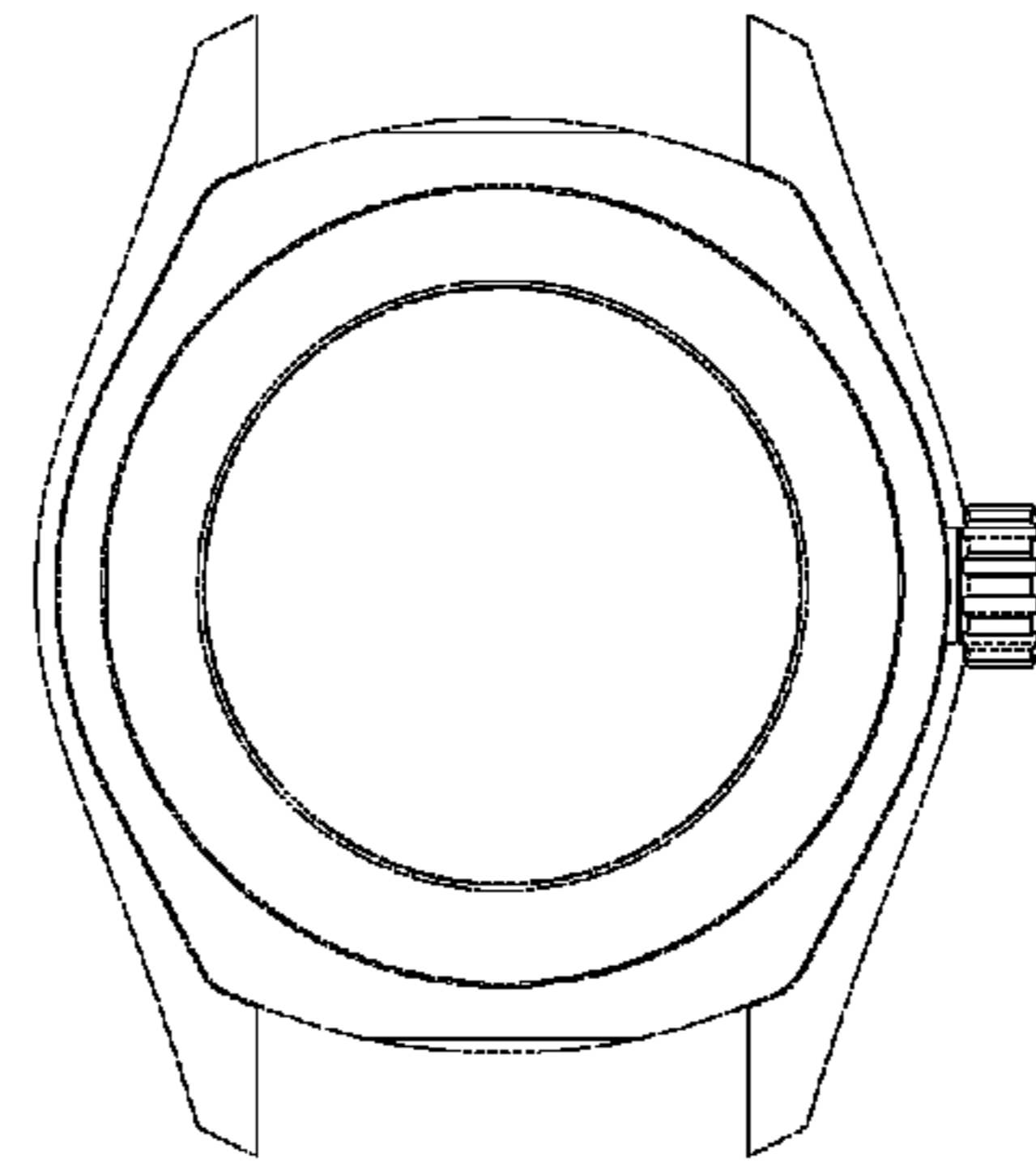


FIG. 2

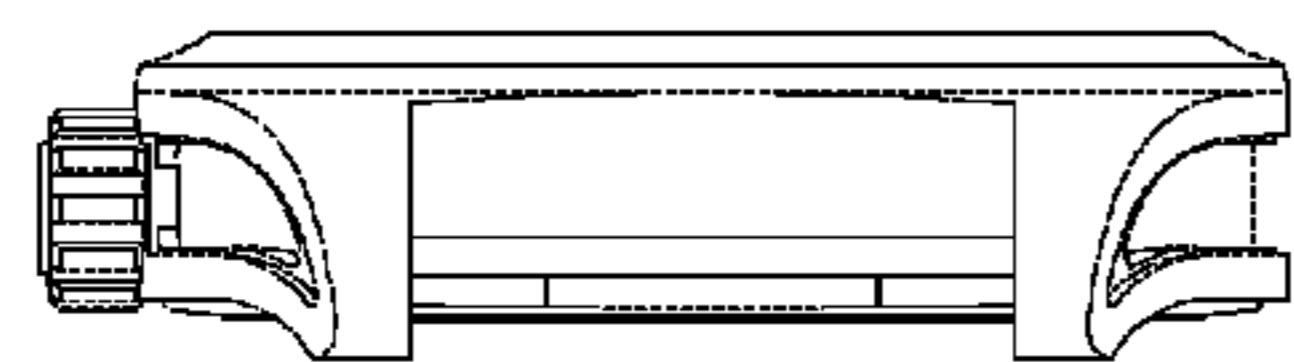


FIG. 3

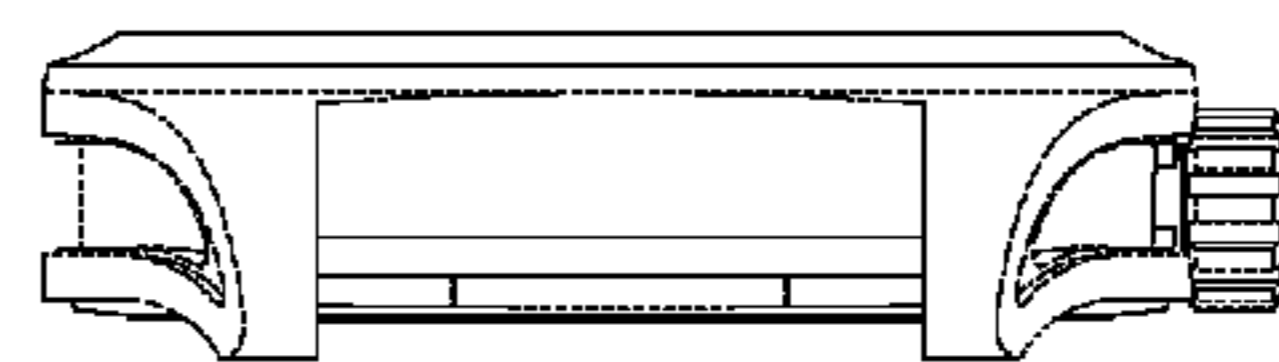


FIG. 4

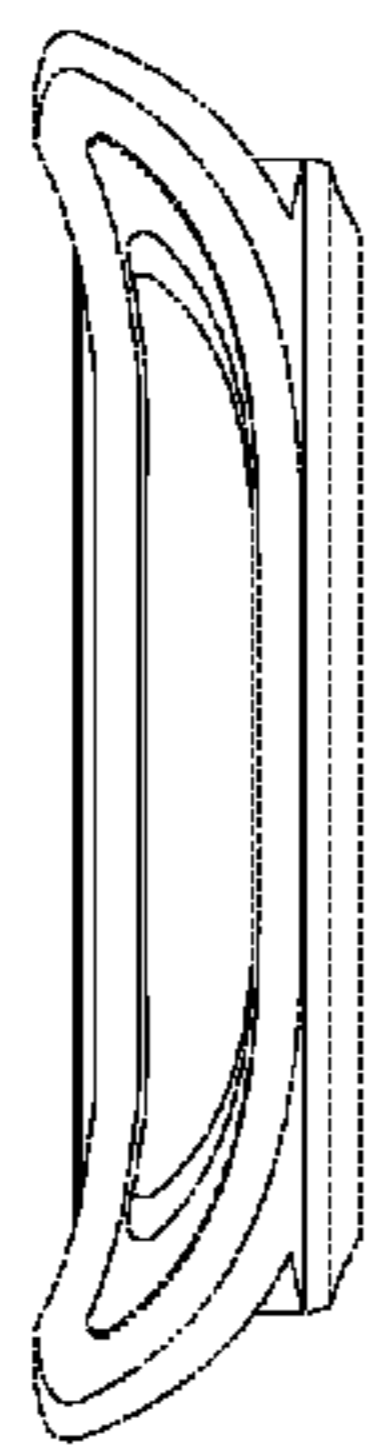


FIG. 5

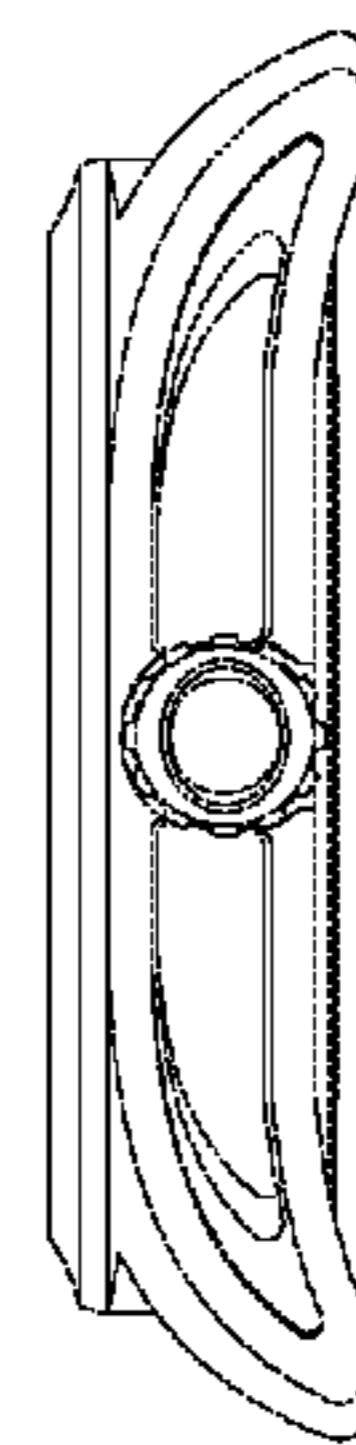


FIG. 6

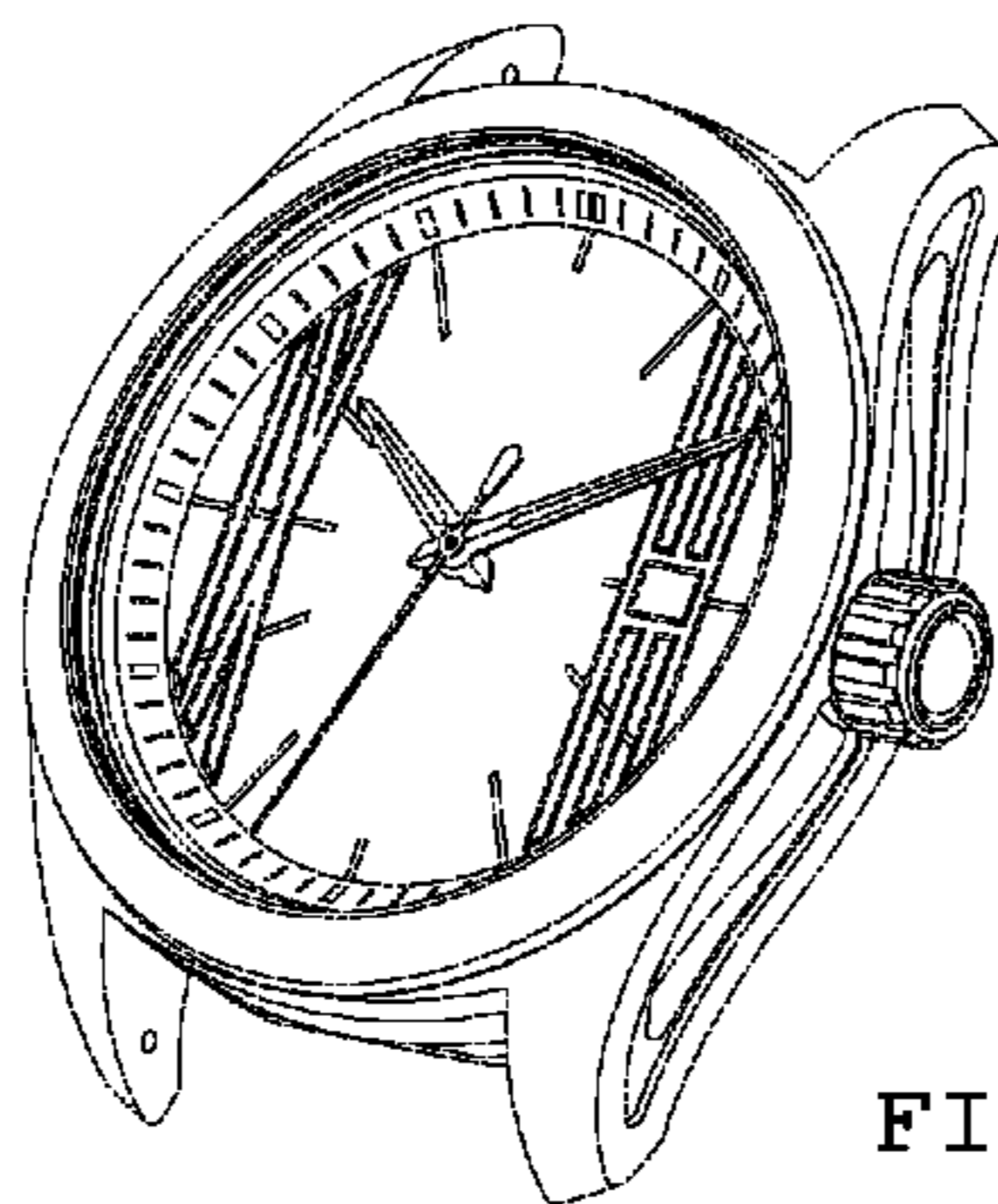


FIG. 7