



US00D684483S

(12) **United States Design Patent**
Jahina et al.

(10) **Patent No.:** **US D684,483 S**
(45) **Date of Patent:** **** Jun. 18, 2013**

(54) **CONTAINER**

(75) Inventors: **Adrian Jahina**, Olney (GB); **Jon Winter**, Cranfield (GB)

(73) Assignee: **Rexam Beverage Can Europe Limited**, Luton (GB)

(**) Term: **14 Years**

(21) Appl. No.: **29/381,382**

(22) Filed: **Dec. 17, 2010**

(30) **Foreign Application Priority Data**

Jun. 17, 2010 (EM) 001721192-0001

(51) **LOC (9) Cl.** **09-01**

(52) **U.S. Cl.**
USPC **D9/772**

(58) **Field of Classification Search**
USPC D9/500, 516, 549, 574, 763-783;
215/381-385; 220/660, 662, 669
See application file for complete search history.

(56) **References Cited**

U.S. PATENT DOCUMENTS

1,443,682 A	1/1923	Gueritey
1,582,681 A	4/1926	Hammer
1,621,487 A	3/1927	Aulbach
D86,037 S	1/1932	Lloyd
2,195,257 A	3/1940	Paris
2,337,616 A	12/1943	McManus et al.
2,384,810 A	9/1945	Calleson et al.
3,402,844 A	9/1968	Chin
D221,836 S	9/1971	Giles
3,995,572 A	12/1976	Saunders
D245,964 S	10/1977	Sexton, Sr. et al.
D246,030 S	10/1977	Sexton et al.
D246,229 S	11/1977	Saunders

4,058,998 A	11/1977	Franek et al.
D247,772 S	4/1978	Sexton, Jr.
D248,927 S	8/1978	Cassia
D250,933 S	1/1979	Saunders
D271,281 S	11/1983	Abbott et al.
D271,854 S	12/1983	Berry
D272,508 S *	2/1984	Conti D7/615
4,441,354 A	4/1984	Bodega
D275,834 S	10/1984	Slade
4,512,172 A	4/1985	Abbott et al.
D287,933 S	1/1987	Mills et al.
4,643,330 A	2/1987	Kennedy

(Continued)

FOREIGN PATENT DOCUMENTS

BE	376464	11/1931
CA	678389	1/1964

(Continued)

OTHER PUBLICATIONS

Boxside marketing & advertising decisions, Index 05, fascicle 5, 2005, p. 94.

(Continued)

Primary Examiner — Keli L Hill

(74) *Attorney, Agent, or Firm* — Ungaretti & Harris LLP

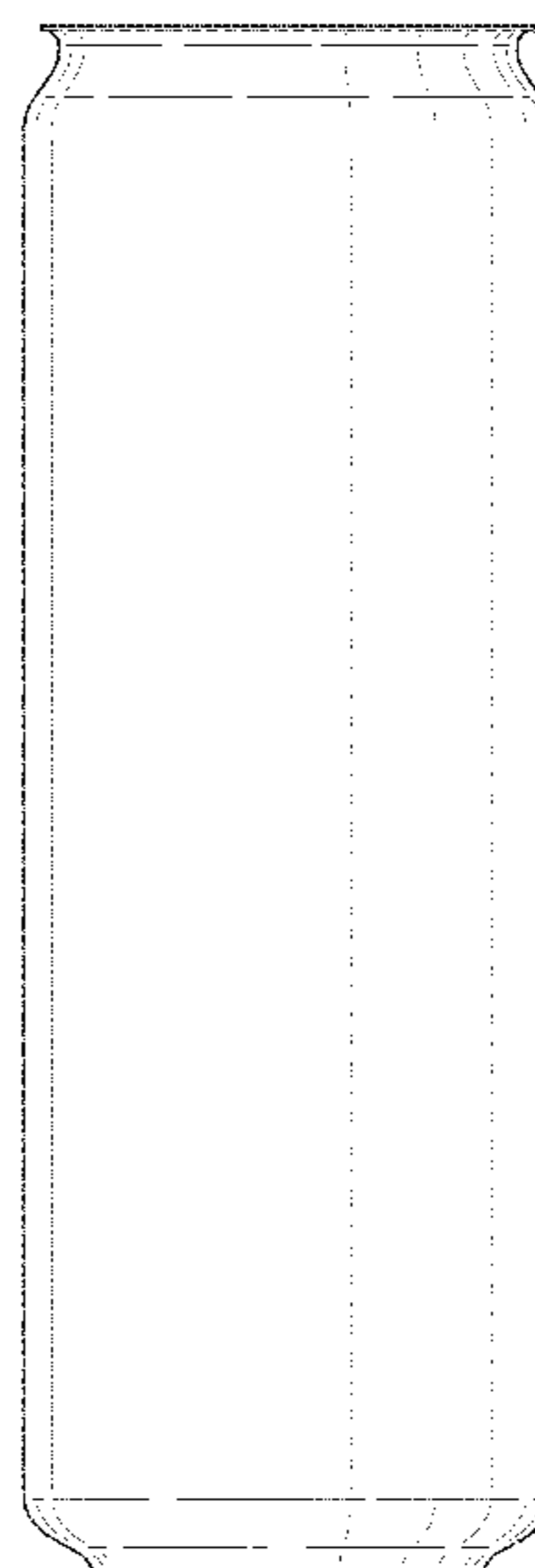
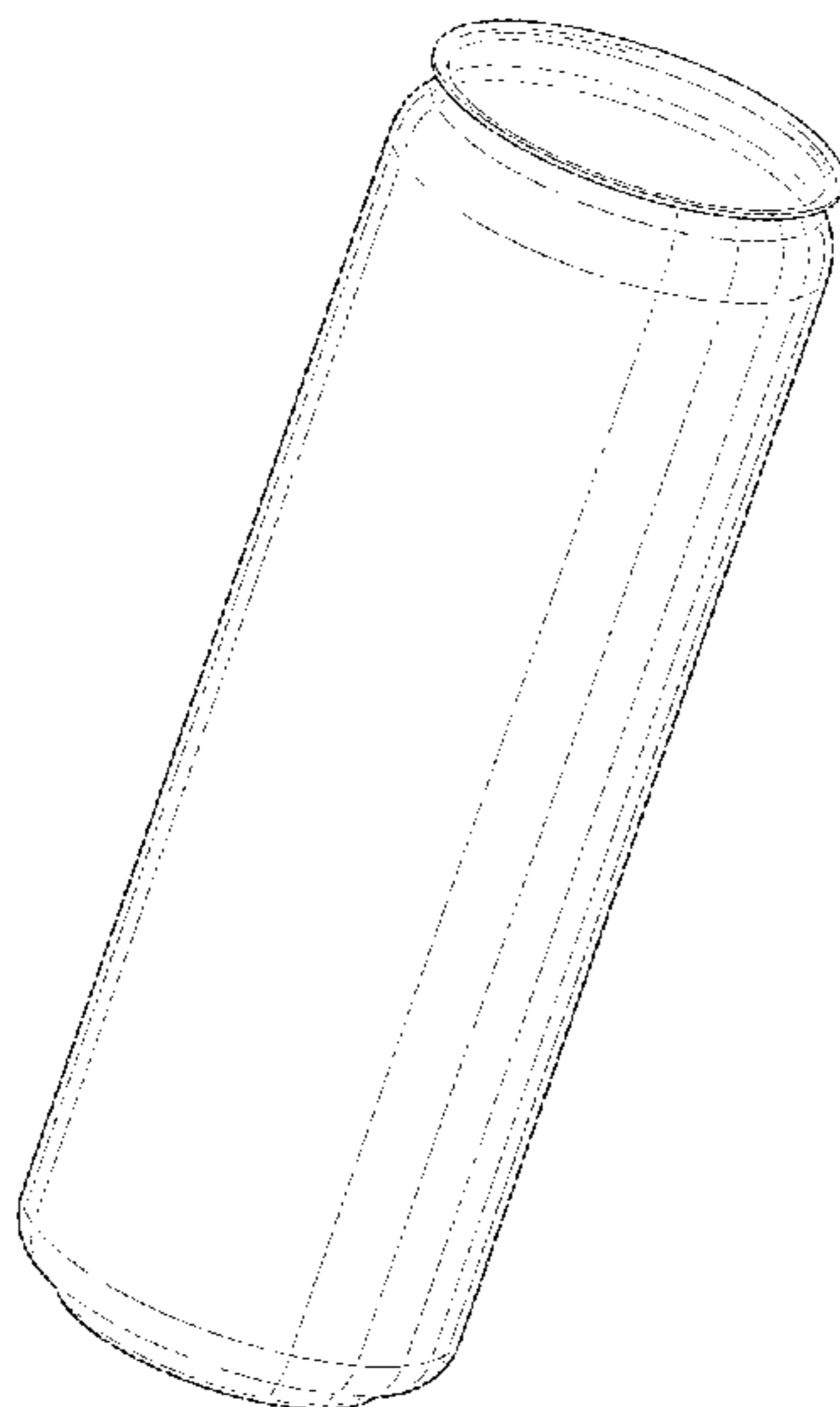
(57) **CLAIM**

We claim the ornamental design for a container, as shown and described, the bottom of which is plain and unadorned.

DESCRIPTION

FIG. 1 is a perspective view of the present invention;
FIG. 2 is a top view of the present invention;
FIG. 3 is a side view of the present invention; and,
FIG. 4 is a bottom view of the present invention.
Features shown in broken lines in the drawings are not part of the claim.

1 Claim, 4 Drawing Sheets



US D684,483 S

U.S. PATENT DOCUMENTS

D288,906	S	3/1987	Strand	
D290,811	S	7/1987	Cleveland, Jr.	
4,844,270	A	7/1989	Coffman	
4,892,214	A	1/1990	Hamaguchi et al.	
D306,967	S	4/1990	Matsuura et al.	
D319,580	S	9/1991	Cassai et al.	
5,052,576	A	10/1991	Budenbender	
5,061,140	A	10/1991	Hamaguchi et al.	
D327,218	S	6/1992	Nickerson	
5,135,124	A	8/1992	Wobser	
5,190,181	A	3/1993	Büdenbender	
5,293,765	A	3/1994	Nussbaum-Pogacnik	
5,355,710	A	10/1994	Diekhoff	
D353,771	S	12/1994	Klitsner	
5,448,903	A	9/1995	Johnson	
5,497,900	A	3/1996	Caleffi et al.	
D369,977	S	5/1996	Sexton, Jr.	
D371,075	S	6/1996	Stonehouse	
5,557,963	A	9/1996	Diekhoff	
5,572,893	A	11/1996	Goda et al.	
5,605,248	A	2/1997	Jentzsch	
5,660,301	A	8/1997	Kaplowitz	
D384,888	S	10/1997	Diekhoff	
5,704,240	A	1/1998	Jordan	
5,711,447	A	1/1998	Plester	
5,713,235	A	2/1998	Diekhoff	
5,718,352	A	2/1998	Diekhoff et al.	
5,778,723	A	7/1998	Diekhoff	
5,822,843	A	10/1998	Diekhoff et al.	
5,875,909	A	3/1999	Guglielmini	
5,881,907	A	3/1999	Schutz	
6,010,026	A	1/2000	Diekhoff et al.	
6,010,028	A	1/2000	Jordan et al.	
6,082,944	A	7/2000	Bachmann et al.	
6,105,807	A	8/2000	McCrossen	
D432,015	S	10/2000	Holiday	
D434,323	S	11/2000	Pattison	
D434,608	S	12/2000	Hansen	
D435,648	S	12/2000	Shah et al.	
D435,649	S	12/2000	Shah et al.	
D437,233	S	2/2001	Gibert	
6,206,222	B1	3/2001	Cudzik	
D444,385	S	7/2001	Dixon	
D451,027	S	11/2001	Dugrot	
6,463,776	B1	10/2002	Enoki et al.	
6,499,329	B1	12/2002	Enoki et al.	
6,543,636	B1	4/2003	Flecheux et al.	
D489,620	S	5/2004	Goodell et al.	
6,761,280	B2	7/2004	Zonker et al.	
6,779,677	B2	8/2004	Chupak	
6,857,304	B2	2/2005	Enoki	
D503,343	S	3/2005	Canino	
6,907,653	B2	6/2005	Chupak	
6,959,830	B1	11/2005	Kanou et al.	
7,014,060	B2	3/2006	Richardson	
D523,345	S	6/2006	Kamineni	
7,069,763	B2	7/2006	Cook et al.	
7,152,766	B1	12/2006	Walsh et al.	
7,171,840	B2	2/2007	Kanou et al.	
D549,595	S	8/2007	Lowther, Sr. et al.	
D554,000	S	10/2007	Walsh	
D569,252	S	5/2008	Borsari et al.	
D570,228	S	6/2008	van Dam	
D584,623	S	1/2009	Chupak	
D587,137	S *	2/2009	Hayden et al.	D9/772
D592,529	S *	5/2009	Friebe et al.	D9/772
D593,876	S *	6/2009	Hayden et al.	D9/772
D596,048	S *	7/2009	Hayden et al.	D9/772
D601,436	S *	10/2009	Stephens et al.	D9/772
D619,457	S	7/2010	Walsh	
D619,458	S	7/2010	Walsh	
D619,459	S	7/2010	Walsh	
D620,360	S	7/2010	Walsh	
D621,723	S	8/2010	Gogola et al.	
D622,145	S	8/2010	Walsh	
D623,475	S *	9/2010	Aarnoudse et al.	D7/510
D625,616	S	10/2010	Gogola et al.	
D632,588	S *	2/2011	George	D9/772

D632,589	S *	2/2011	George	D9/772
D633,796	S *	3/2011	Cresswell et al.	D9/500
D638,708	S	5/2011	Walsh	
D639,164	S	6/2011	Walsh	
D641,644	S *	7/2011	George	D9/772
8,016,148	B2	9/2011	Walsh	
2001/0040167	A1	11/2001	Flecheux et al.	
2005/0205575	A1	9/2005	Kobayashi et al.	
2006/0011633	A1	1/2006	Cook et al.	

FOREIGN PATENT DOCUMENTS

DE	4439464	C1	5/1996
DE	19513886	A1	10/1996
DE	29512058	U1	12/1996
DE	19806481	A1	8/1998
DE	19722628	A1	12/1998
DE	40402024-0003		3/2005
DE	40402706-0007		3/2005
DE	40405124-0002		3/2005
DE	40405388-0004		4/2005
DE	40405388-0005		4/2005
EP	0281543	A2	9/1988
EP	0182646	B1	3/1989
EP	0380662	A1	8/1990
EP	0510291	A1	10/1992
EP	0512131	A2	11/1992
EP	0537773	A1	4/1993
EP	0549987	A1	7/1993
EP	0581568	B1	2/1994
EP	0667299	A1	8/1995
EP	0693434	B1	1/1996
EP	0743260	A1	11/1996
EP	0864385	A2	9/1998
EP	1134046	A1	9/2001
EP	1136154	A1	9/2001
EP	1459997	A1	9/2004
EP	1468925	A1	10/2004
FR	633497		1/1928
FR	26884341	A1	9/1993
FR	2708252	A1	2/1995
GB	2330548	A	4/1999
GB	3000547		1/2002
IT	458853		3/1951
JP	01210136		8/1989
JP	11139438		5/1999
JP	2001-90898		4/2001
JP	2002037442		2/2002
JP	2002-137032	A	5/2002
JP	2003-181577	A	7/2003
JP	2003-290854	A	10/2003
JP	2007-039095	A	2/2007
RU	50159	S	5/2001
RU	52780		7/2003
RU	58096		11/2005
RU	59523		7/2006
UA	5333		11/2001
WO	91/11274	A1	8/1991
WO	96/15865	A1	5/1996
WO	96/16754	A1	6/1996
WO	97/42091	A1	11/1997
WO	98/06636	A1	2/1998
WO	99/18013	A1	4/1999
WO	99/32363	A1	7/1999
WO	99/43558	A1	9/1999
WO	99/46176	A1	9/1999
WO	99/48764	A1	9/1999
WO	01/15829	A1	3/2001
WO	03/047991	A1	6/2003
WO	2005/108216	A1	11/2005

OTHER PUBLICATIONS

Doronenkova, O.V., Leading State IP Examiner of the Industrial Designs Department, Rospatent Federal Office for Intellectual Property, Patents and Trademarks, Inquiry of Substantive Examination dated Dec. 19, 2011 in co-pending Russian Design Application No. 2010503861 (in Russian, with English translation attached).

* cited by examiner

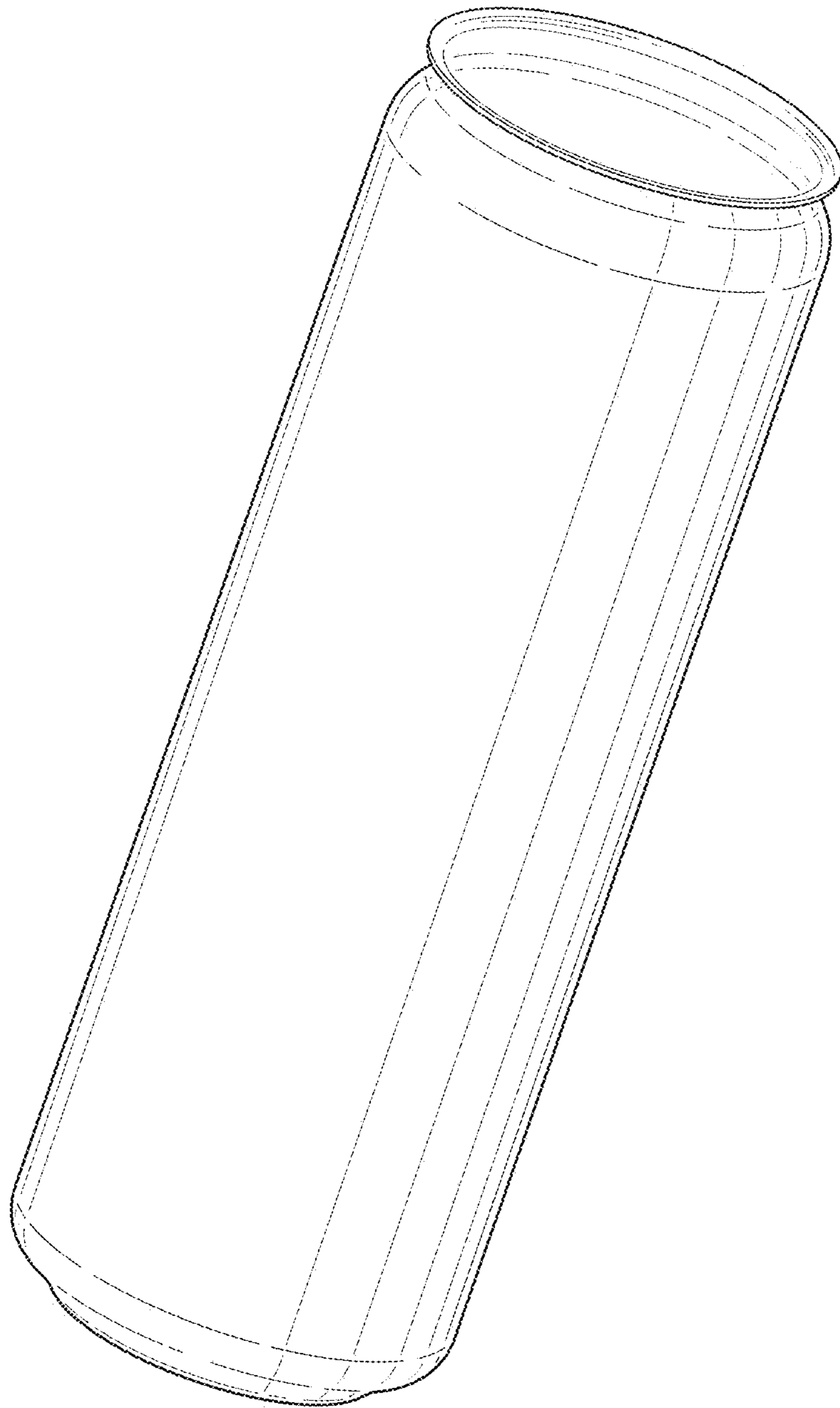


FIG. 1

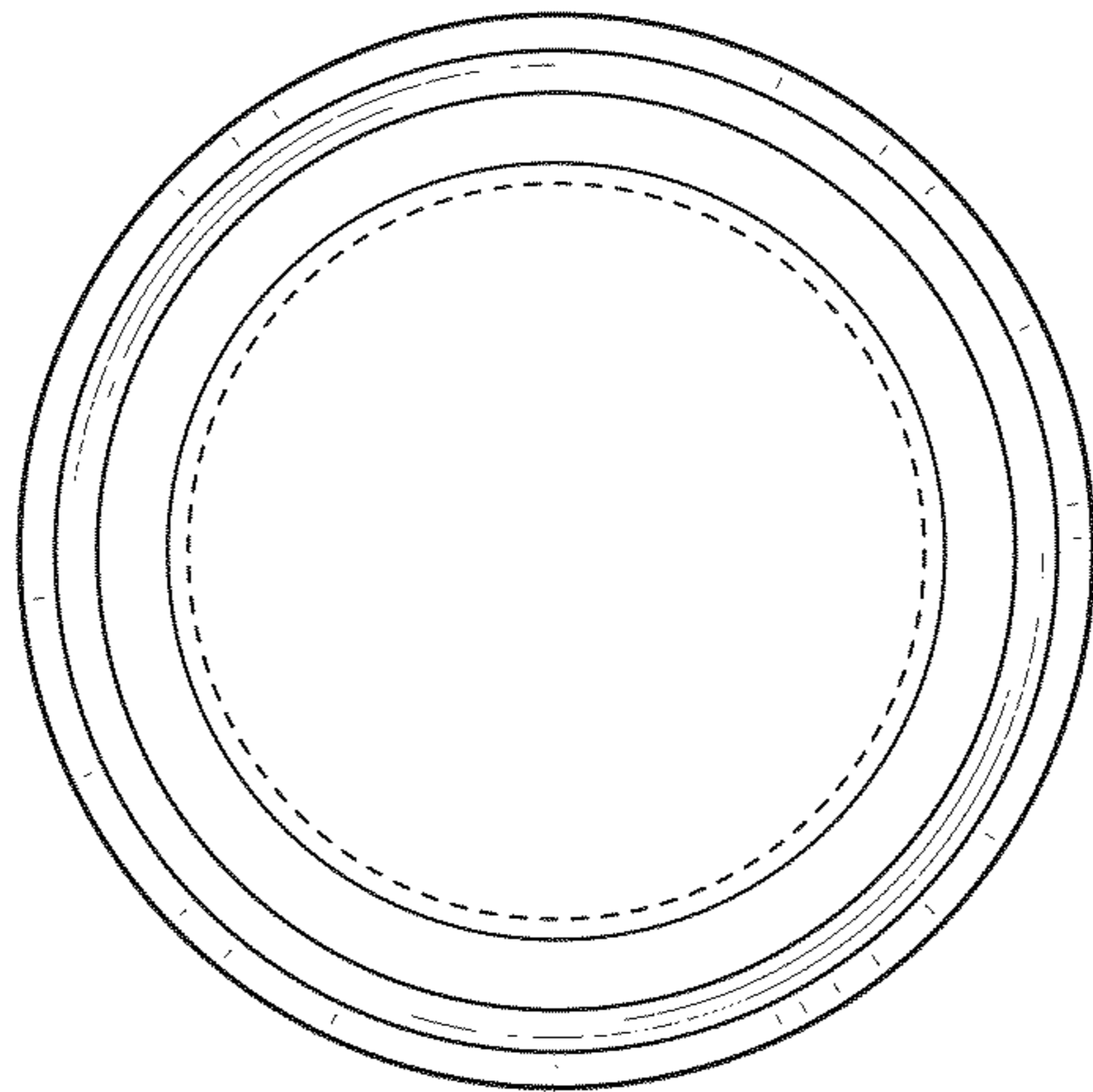


FIG. 2

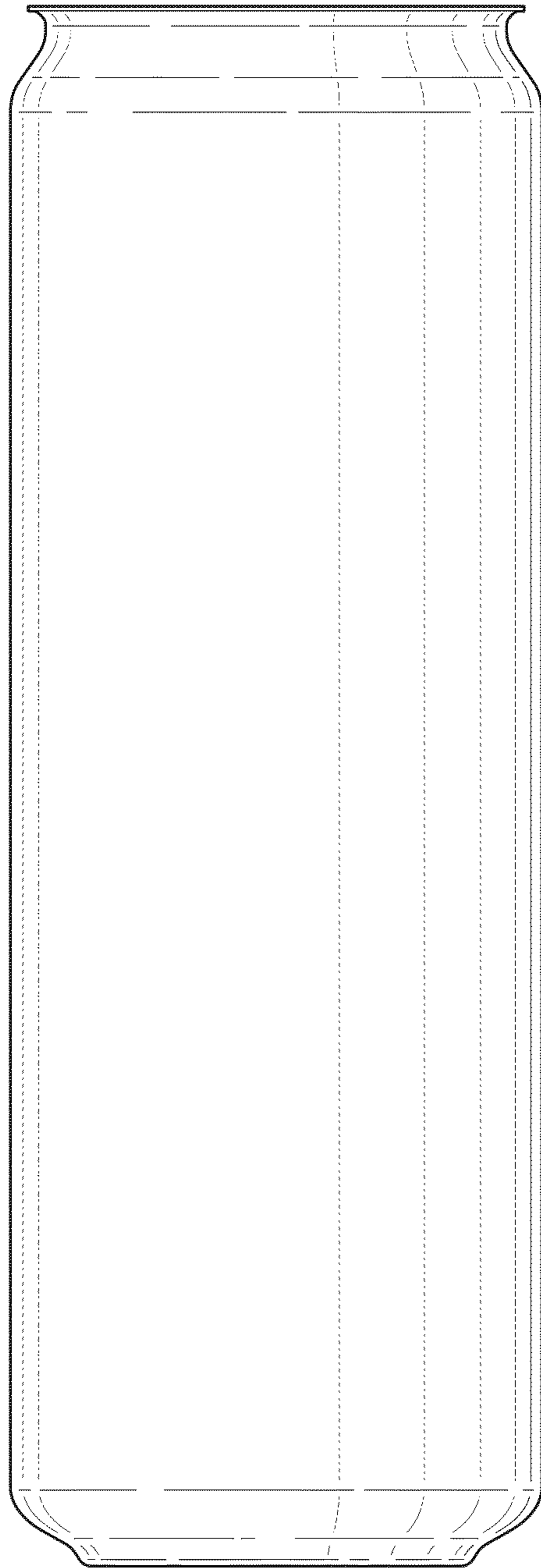


FIG. 3

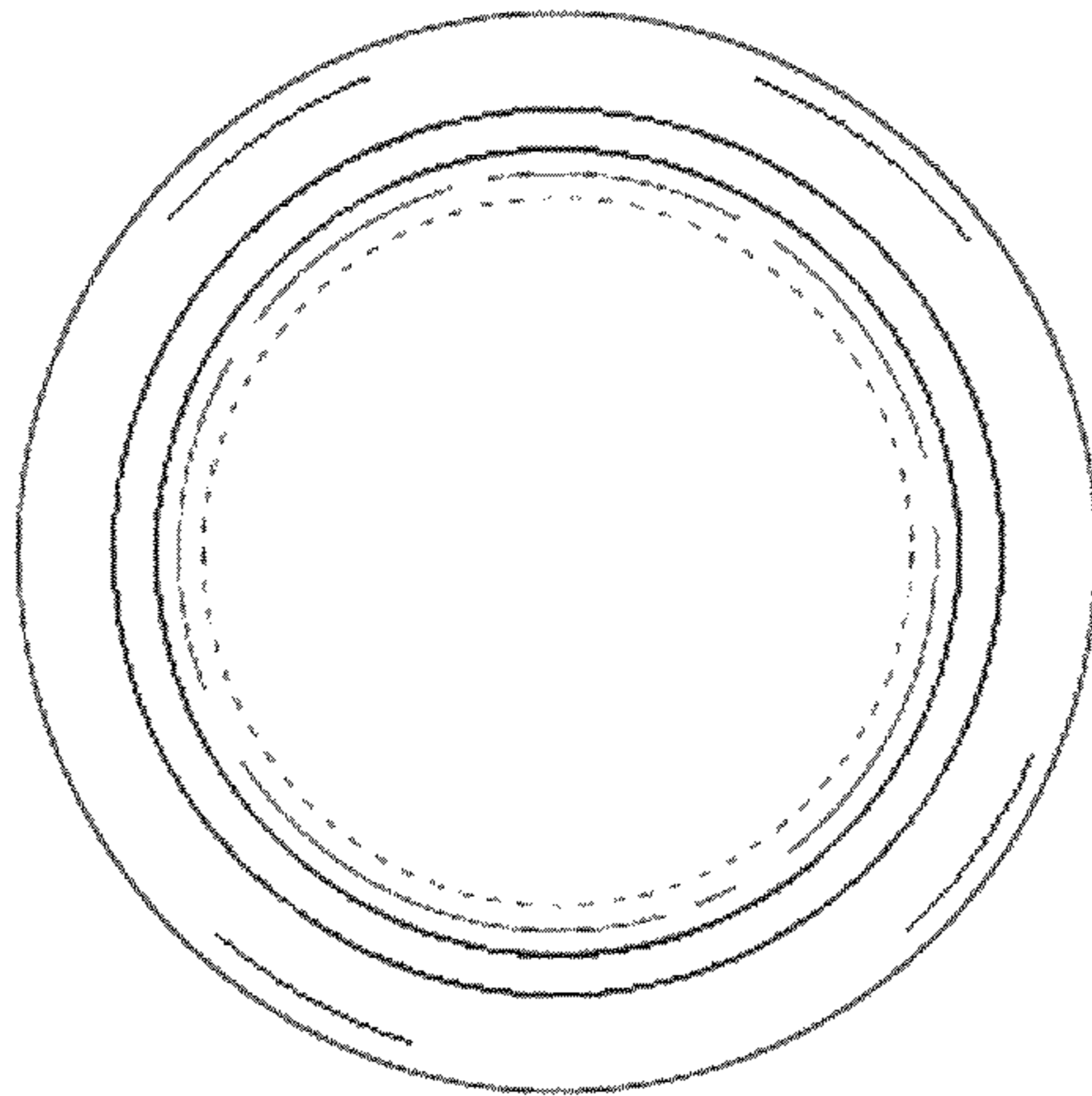


FIG. 4