



US00D684470S

(12) **United States Design Patent**  
**Concin et al.**

(10) **Patent No.:** **US D684,470 S**  
(45) **Date of Patent:** **\*\* Jun. 18, 2013**

- (54) **CONTAINER CAP**
- (75) Inventors: **Roland Concin**, Stallehr (AT); **Matthias Rinderer**, Fuschl (AT)
- (73) Assignee: **Red Bull GmbH**, Fuschl am See (AT)
- (\*\*) Term: **14 Years**
- (21) Appl. No.: **29/408,996**
- (22) Filed: **Dec. 19, 2011**
- (51) **LOC (9) Cl.** ..... **09-07**
- (52) **U.S. Cl.**  
USPC ..... **D9/453**
- (58) **Field of Classification Search**  
USPC ..... D9/667, 454, 453, 452, 450, 449,  
D9/445, 443, 441, 435; D23/253, 250;  
220/270–276; 215/228, 217–223, 209  
See application file for complete search history.

- D613,162 S \* 4/2010 Druitt ..... D9/453
- D619,003 S \* 7/2010 Benoit-Gonin et al. .... D9/453
- D619,456 S \* 7/2010 Walters ..... D9/454
- D634,200 S \* 3/2011 Taber et al. .... D9/453
- D637,081 S \* 5/2011 Collins ..... D9/453
- D638,707 S \* 5/2011 Stoffers et al. .... D9/453

\* cited by examiner

*Primary Examiner* — Susan Bennett Hattan  
(74) *Attorney, Agent, or Firm* — Christensen O'Connor Johnson Kindness PLLC

(57) **CLAIM**  
The ornamental design for a container cap, as shown and described.

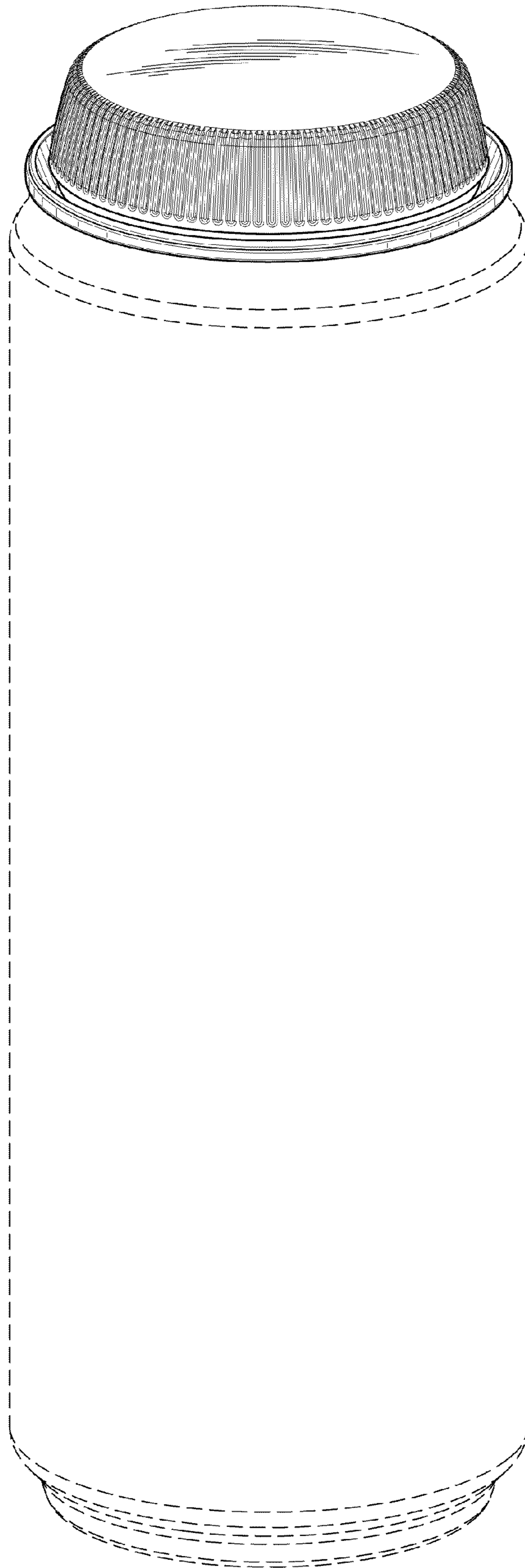
**DESCRIPTION**

FIG. 1 is a upper front perspective view of a container cap showing our new design;  
FIG. 2 is an enlarged upper front perspective view thereof;  
FIG. 3 is an enlarged lower front perspective view thereof;  
FIG. 4 is an enlarged front elevation view thereof, with the rear, right side, and left side elevation views being a mirror image of the front elevation view; and,  
FIG. 5 is an enlarged top plan view thereof.  
The broken lines shown in the drawings illustrate environmental subject matter and form no part of the claimed design.

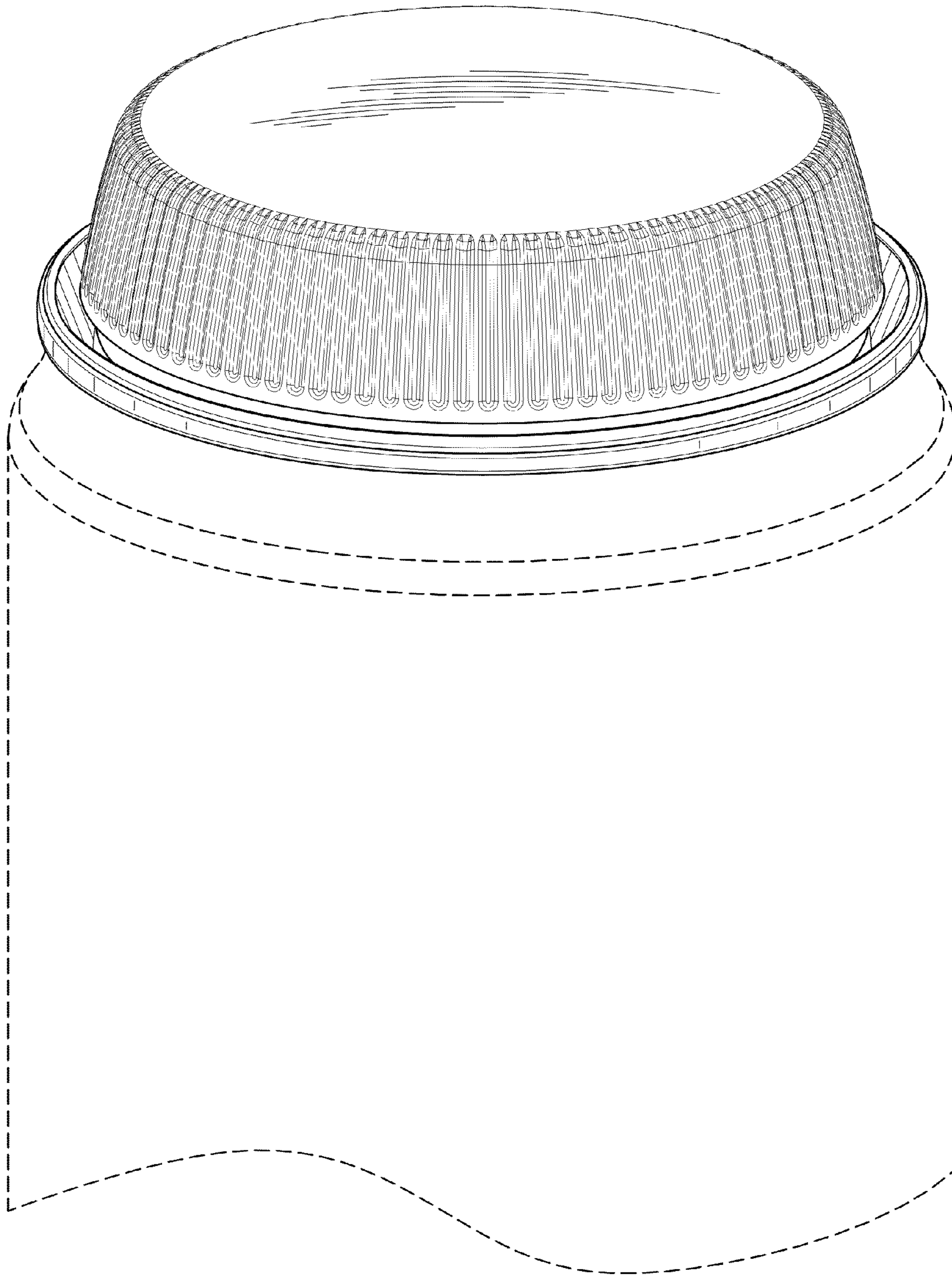
**1 Claim, 5 Drawing Sheets**

- (56) **References Cited**  
U.S. PATENT DOCUMENTS  
1,374,389 A \* 4/1921 Reichenbach ..... 220/780  
D247,351 S \* 2/1978 Barthropp ..... D9/453  
D443,513 S \* 6/2001 Goettner ..... D9/452  
D512,914 S \* 12/2005 Moretti ..... D9/454  
D584,149 S \* 1/2009 Lohrman et al. .... D9/453  
D584,152 S \* 1/2009 VerWeyst et al. .... D9/454  
D606,401 S \* 12/2009 Kamath et al. .... D9/453  
D608,499 S \* 1/2010 Hodgson et al. .... D27/190

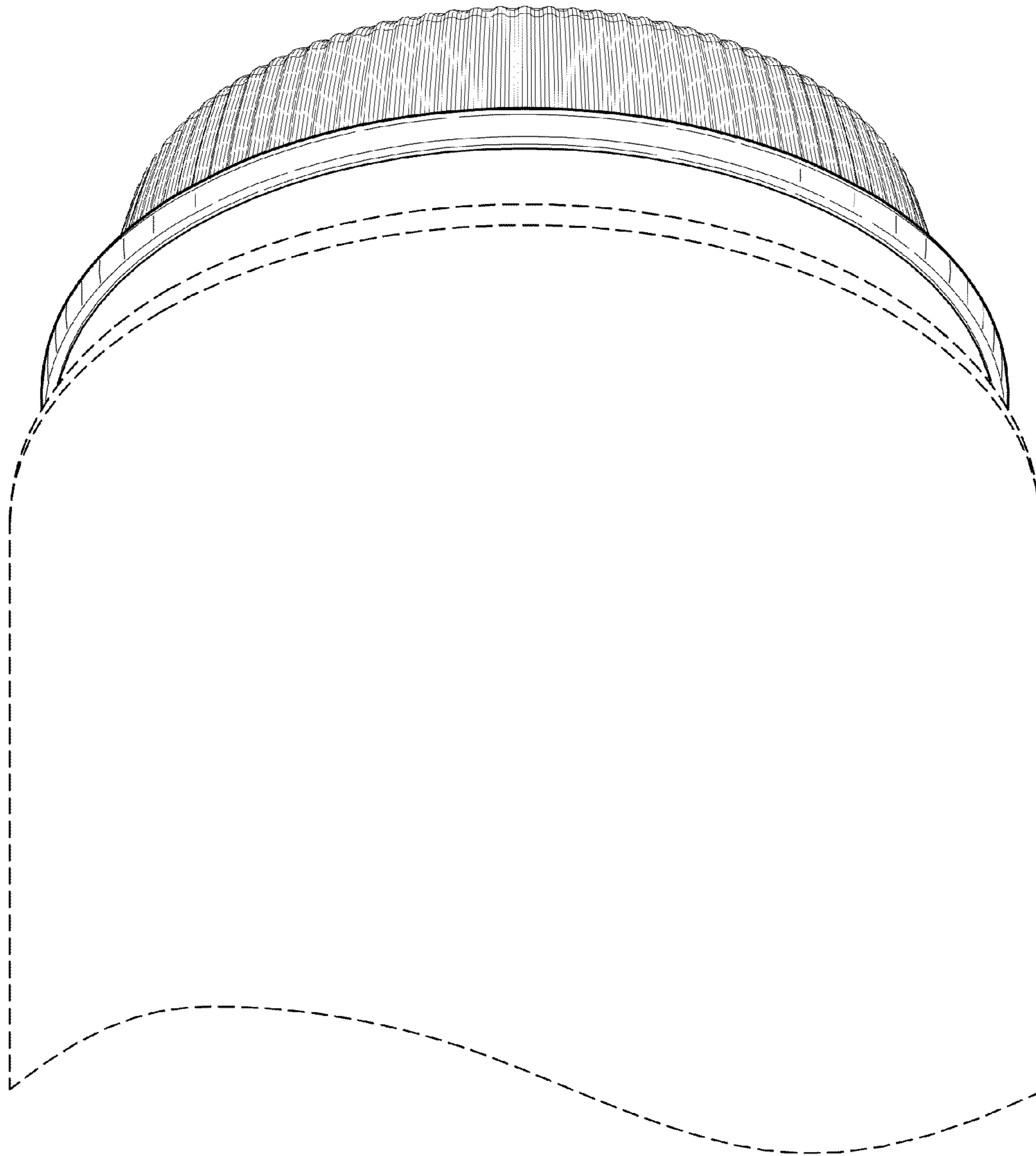




*Fig. 1.*

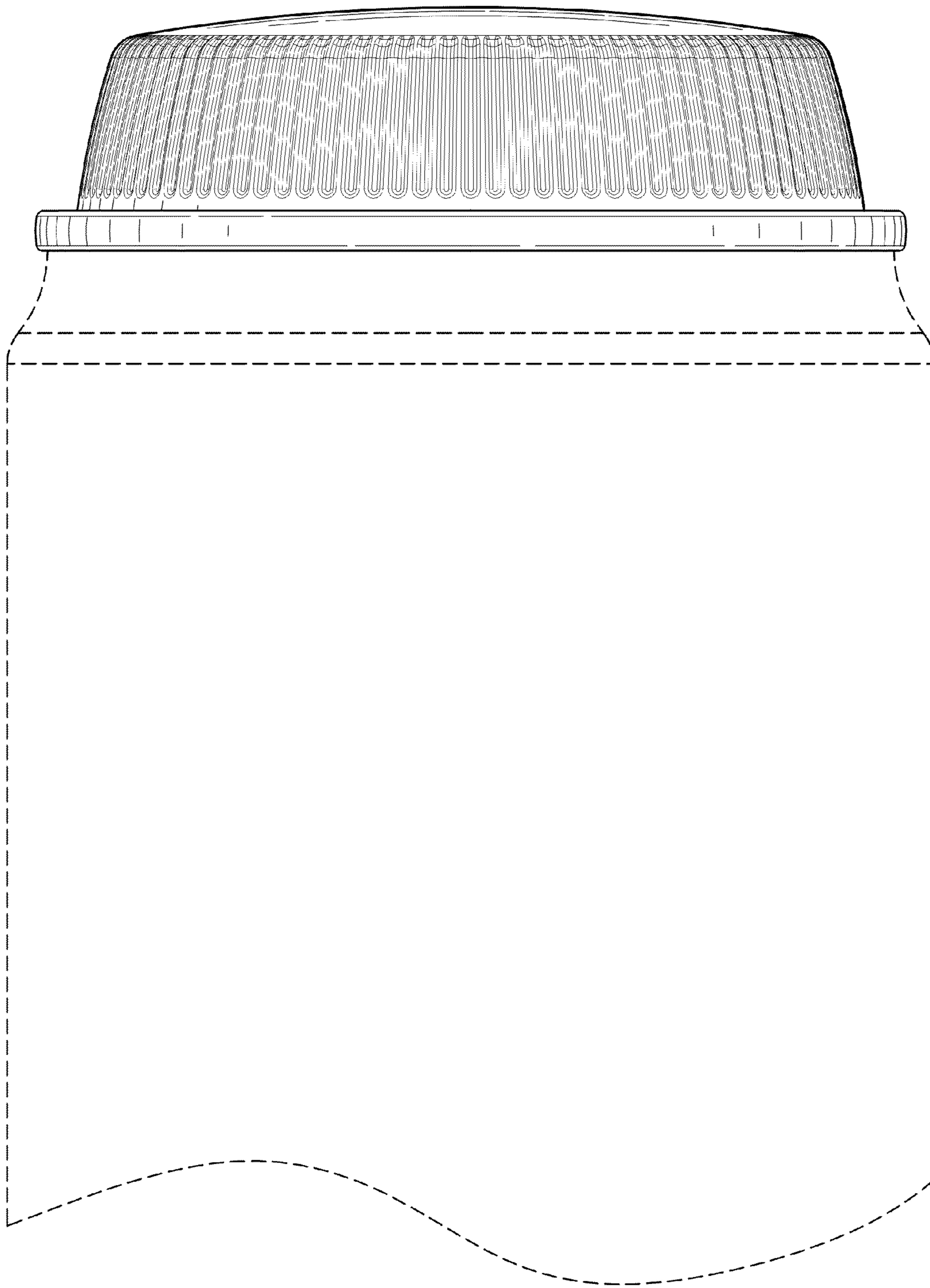


*Fig. 2.*

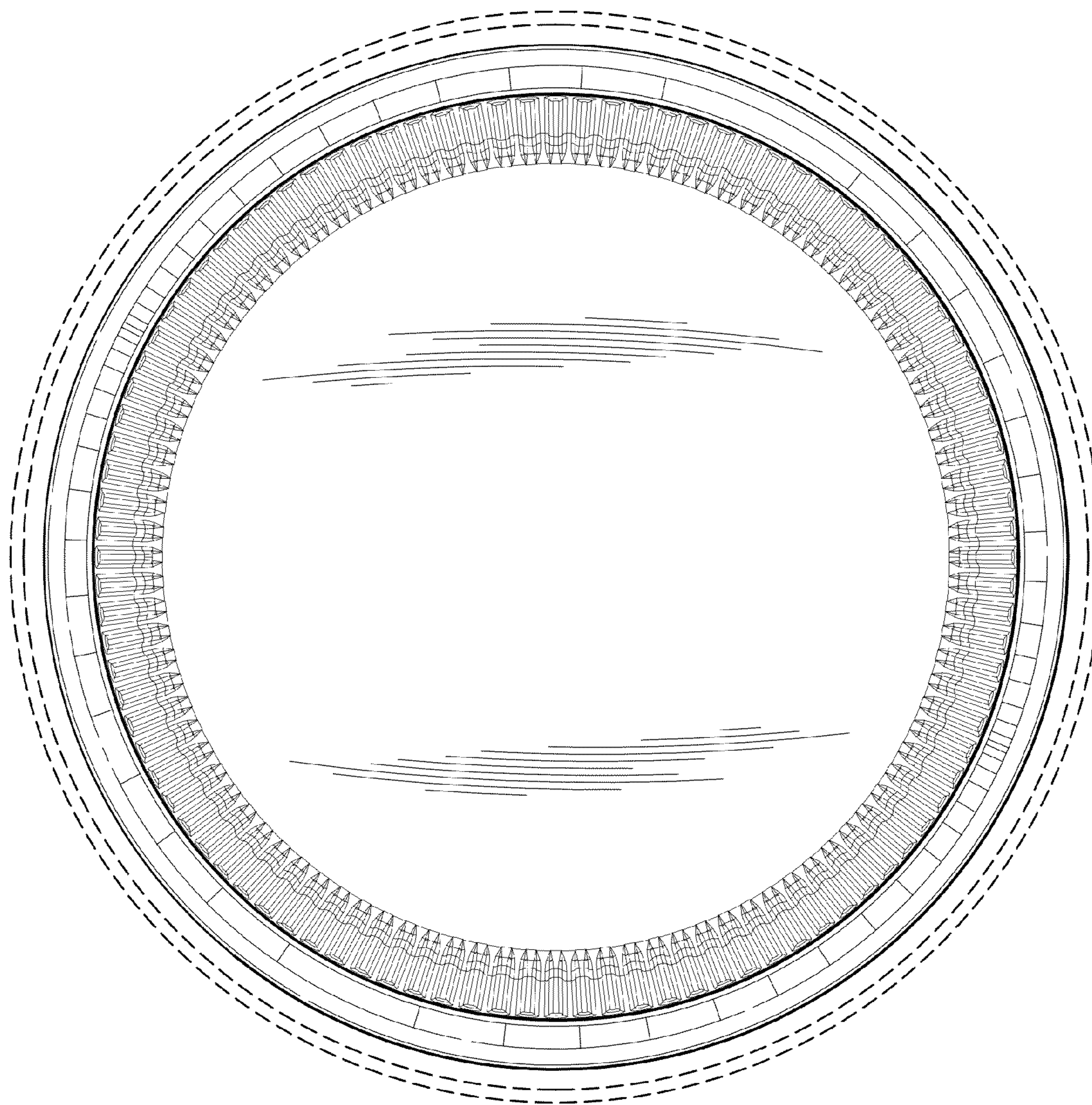


*Fig.3.*





*Fig. 4.*



*Fig. 5.*