



US00D684466S

(12) **United States Design Patent**
Wichmann

(10) **Patent No.:** **US D684,466 S**

(45) **Date of Patent:** **** Jun. 18, 2013**

(54) **SQUARE BOWL AND LID**

(71) Applicant: **Waddington North America, Inc.**,
Chelmsford, MA (US)

(72) Inventor: **Matthew J Wichmann**, Crescent
Springs, KY (US)

(73) Assignee: **Waddington North America, Inc.**,
Chelmsford, MA (US)

(**) Term: **14 Years**

(21) Appl. No.: **29/445,102**

(22) Filed: **Feb. 7, 2013**

Related U.S. Application Data

(62) Division of application No. 29/398,984, filed on Aug.
8, 2011.

(51) **LOC (9) Cl.** **09-03**

(52) **U.S. Cl.**
USPC **D9/432; D9/426**

(58) **Field of Classification Search**

USPC D9/414, 416, 418, 420-424, 430-433;
D3/272; 206/267, 269, 270, 273, 299, 421,
206/454, 457, 737, 740, 822, 775-778, 784;
229/100, 101, 101.3, 106, 108-122, 221,
229/222, 227, 902, 939, 941, 942

See application file for complete search history.

(56) **References Cited**

U.S. PATENT DOCUMENTS

D272,595 S * 2/1984 Chase et al. D7/629
D364,090 S * 11/1995 Krupa D9/429
D402,854 S * 12/1998 Benson D7/584

D489,254 S * 5/2004 Kocis et al. D9/425
D510,843 S * 10/2005 Vovan D7/584
D527,956 S * 9/2006 Doliwa D7/629
D544,755 S * 6/2007 Diesman D7/602
D554,498 S * 11/2007 Lovett D9/425
D573,411 S * 7/2008 Lovett D7/554.3
D588,417 S * 3/2009 Doliwa D7/629
D591,148 S * 4/2009 Parikh et al. D9/425
D595,572 S * 7/2009 Snedden et al. D9/435
D595,573 S * 7/2009 Snedden et al. D9/435
D600,113 S * 9/2009 Edwards et al. D9/425
D601,858 S * 10/2009 Snedden et al. D7/602
D603,223 S * 11/2009 Snedden et al. D7/542
D603,654 S * 11/2009 Snedden et al. D7/540
D609,532 S * 2/2010 Koennecke D7/584

* cited by examiner

Primary Examiner — Susan Bennett Hattan

Assistant Examiner — Vy Koenig

(74) *Attorney, Agent, or Firm* — Maine Cernota & Rardin

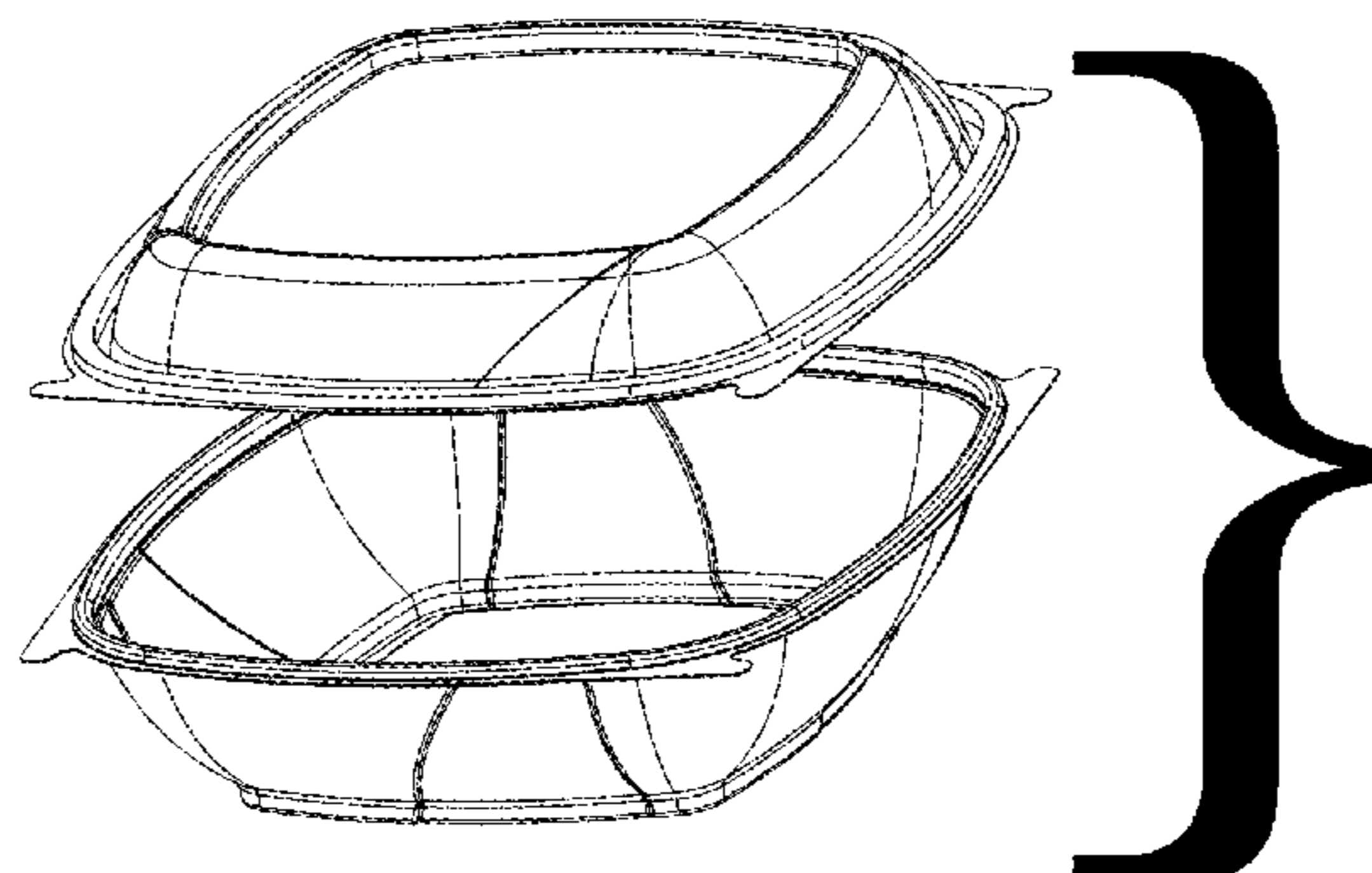
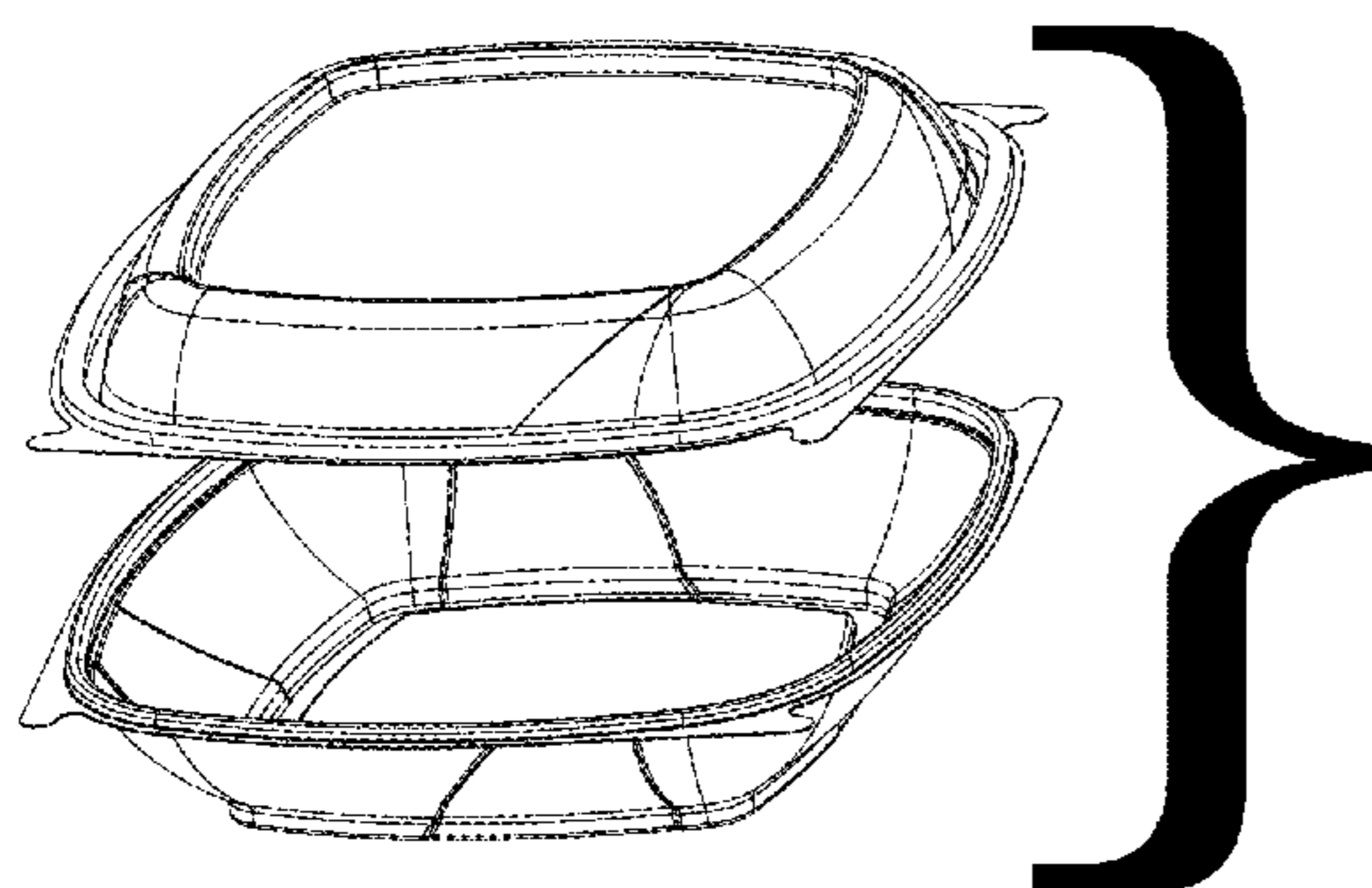
(57) **CLAIM**

The ornamental design for a square bowl and lid, as shown
and described.

DESCRIPTION

FIG. 1 is a front, top perspective view of the first embodiment
of the square bowl and lid;
FIG. 2 is a front, bottom perspective view thereof;
FIG. 3 is a front, side view thereof;
FIG. 4 is a top view thereof, lid only;
FIG. 5 is a front, top perspective view thereof, lid only;
FIG. 6 is a front, side view thereof, lid only;
FIG. 7 is a front, top perspective view of the second embodi-
ment of the square bowl and lid;
FIG. 8 is a front, bottom perspective view thereof; and,
FIG. 9 is a front, side view thereof.

1 Claim, 3 Drawing Sheets



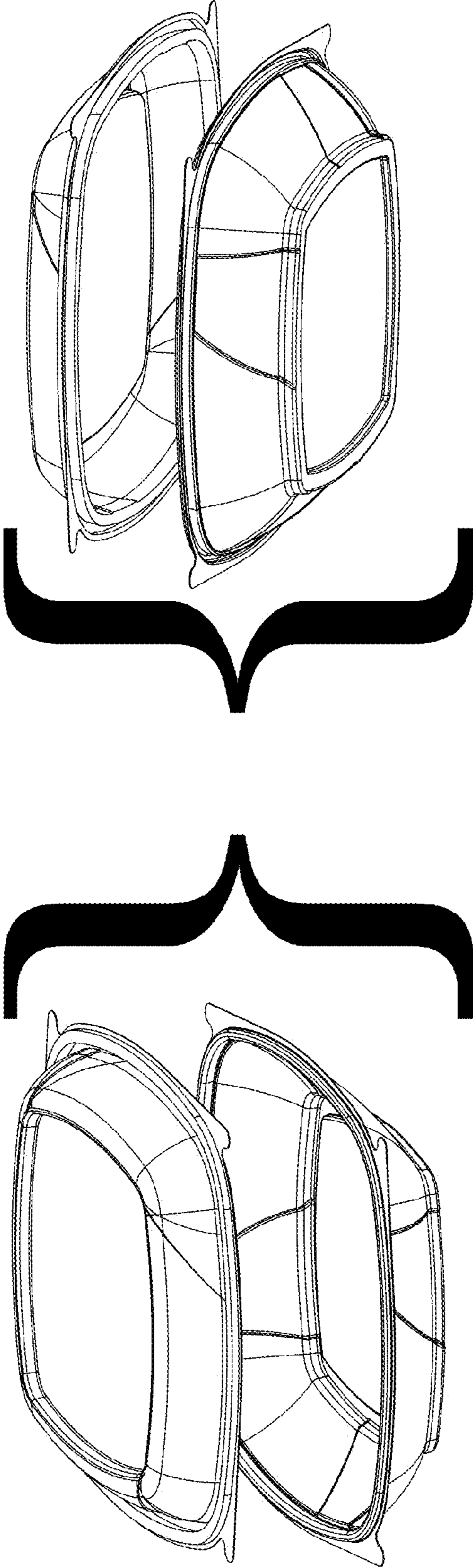


FIG. 2

FIG. 1

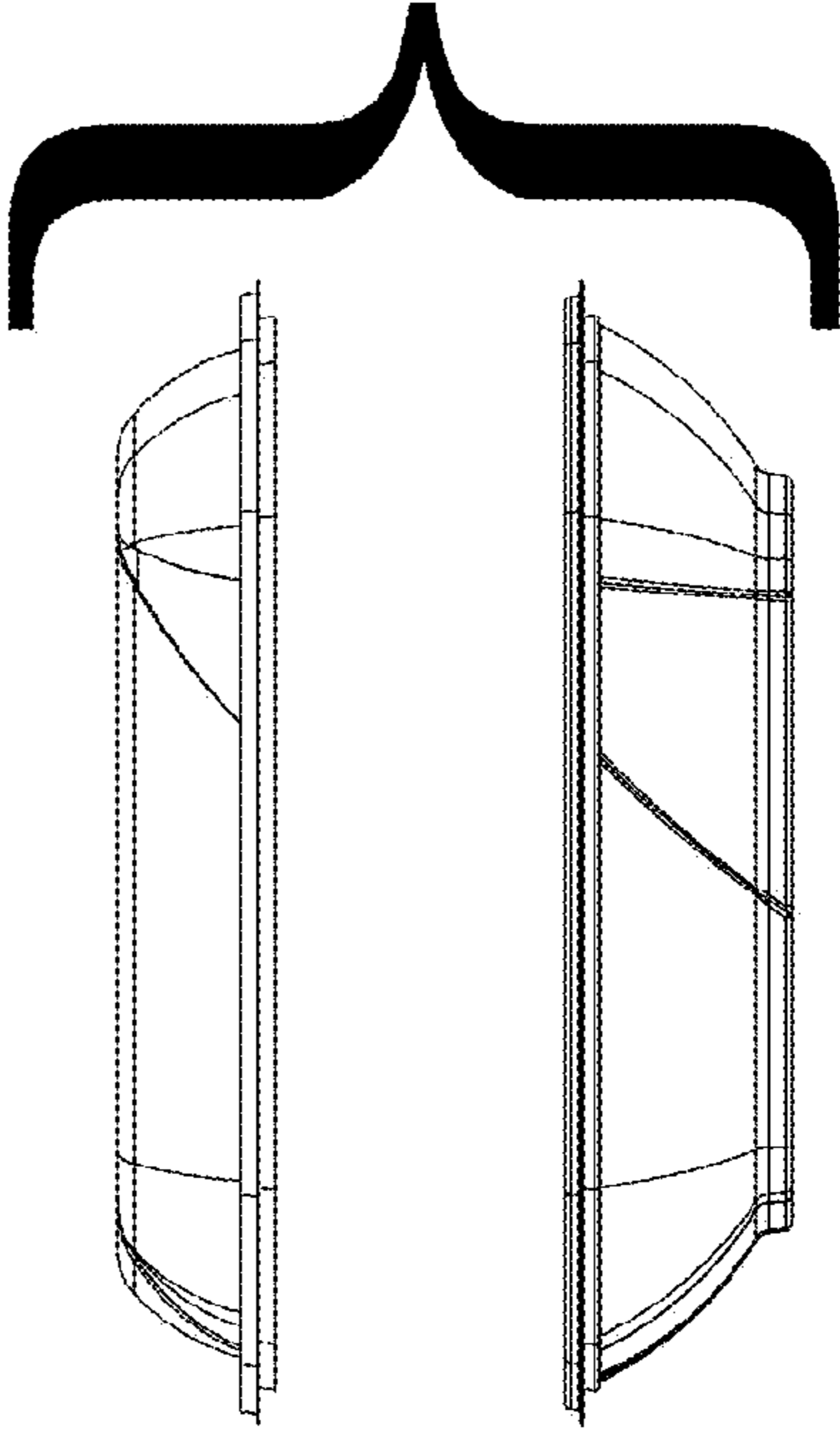


FIG. 3

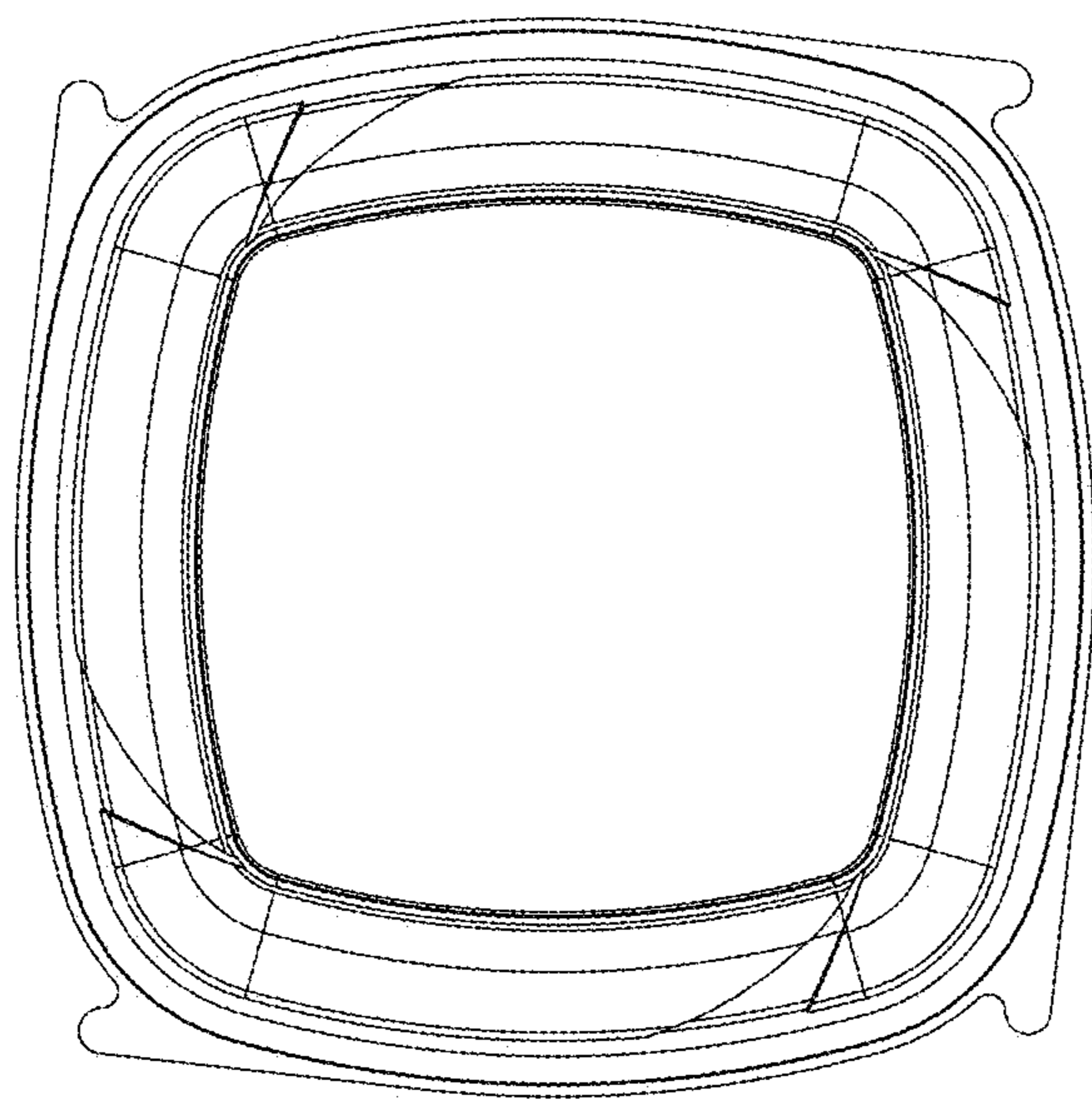


FIG. 4

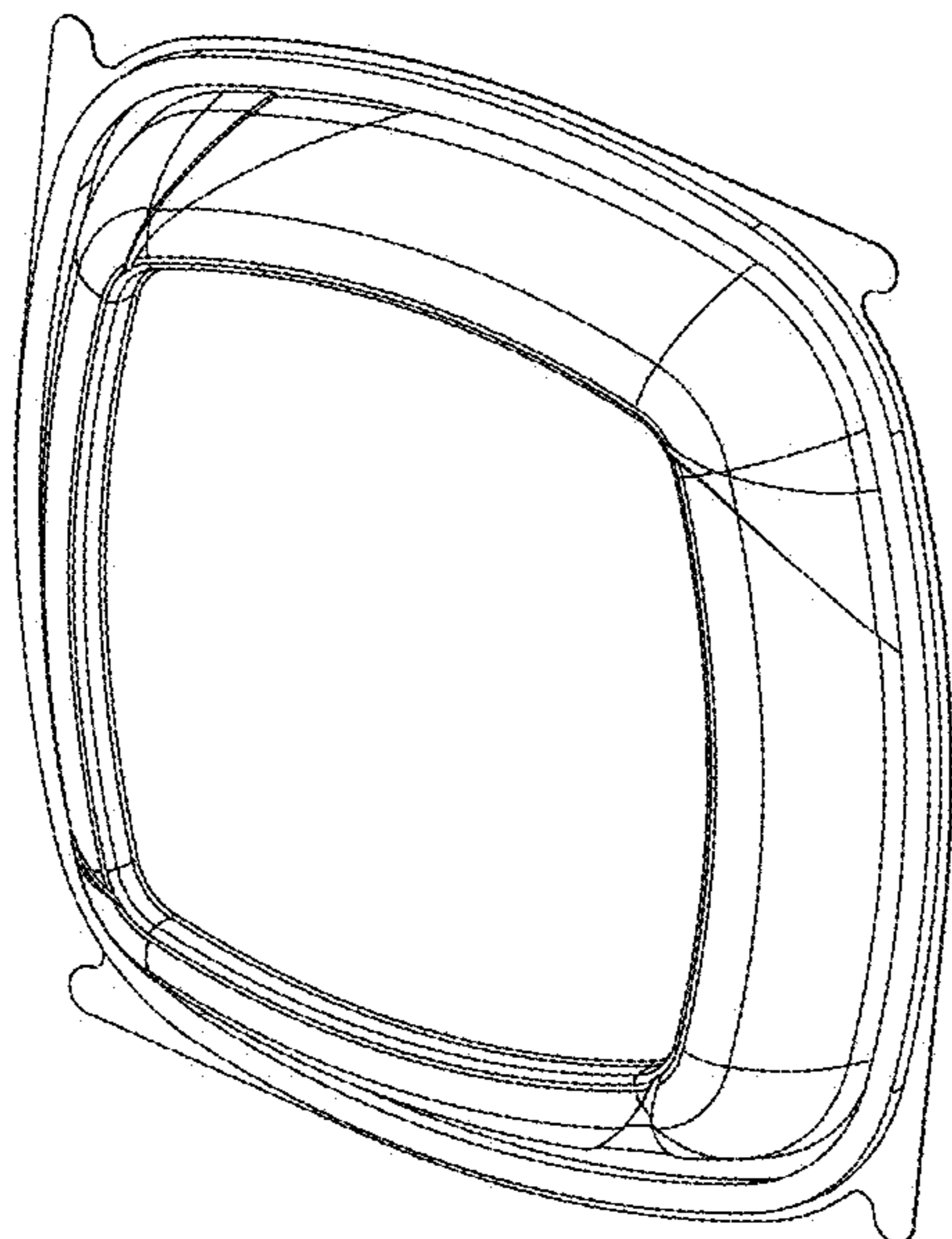


FIG. 5

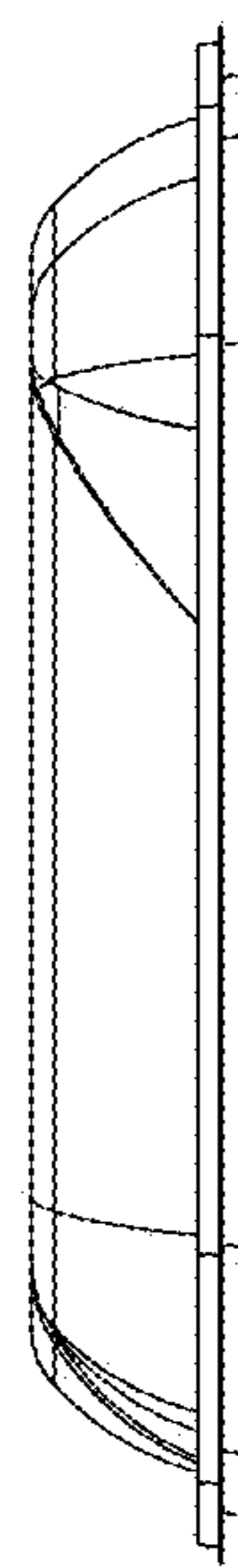


FIG. 6

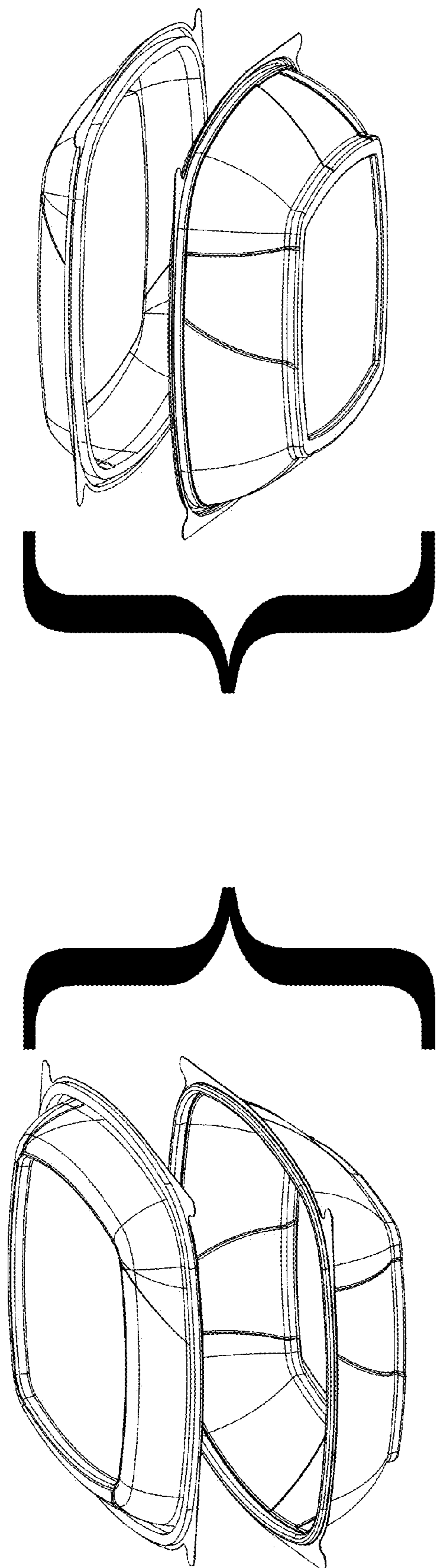


FIG. 8

FIG. 7

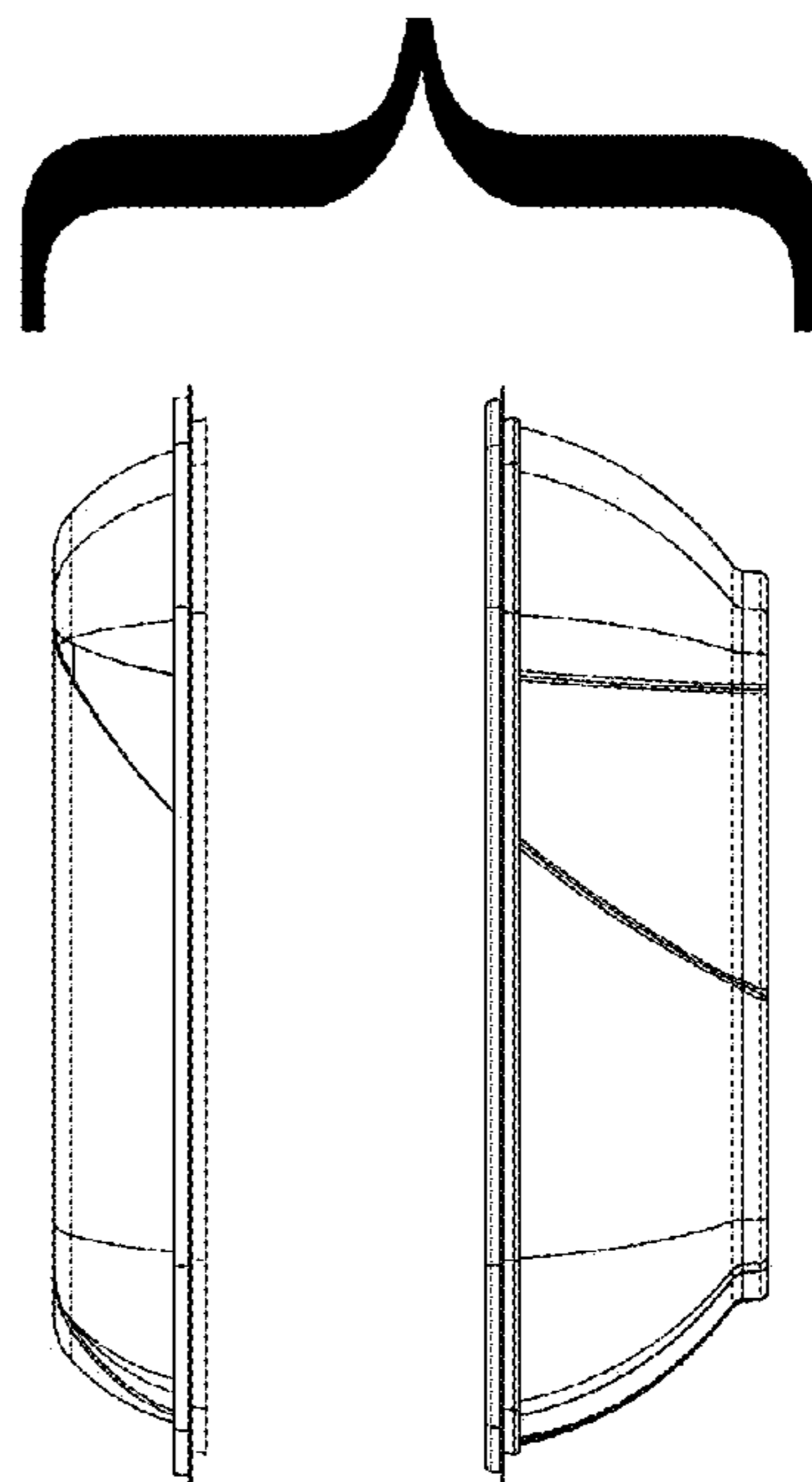


FIG. 9